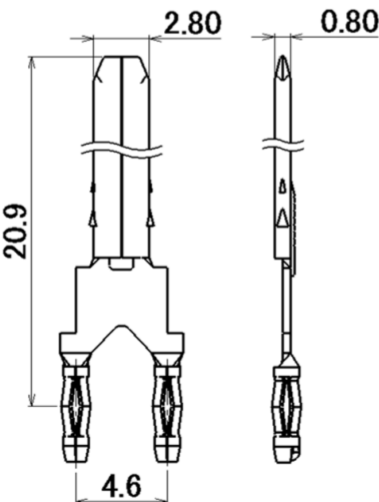
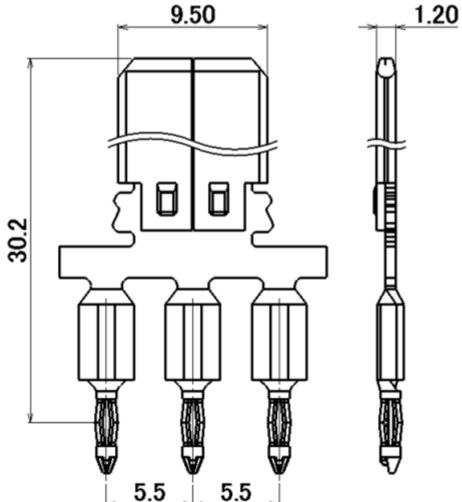
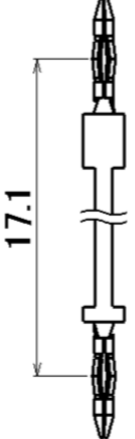



# ISFIT® List of Available Sample Variations

Type	Wire to Board		Board to Board	
Term. Size	2.8mm	9.5mm	-	
Through-hole Diameter	$\phi 1.60^{\pm 0.05}$ mm	$\phi 2.20^{\pm 0.05}$ mm	$\phi 1.00^{\pm 0.05}$ mm	$\phi 1.20^{\pm 0.05}$ mm
Applicable PCB	FR-4 $T_g \geq 140^\circ\text{C}$ , Through hole : Cu 25 $\mu\text{m}$ Min. Surface OSP			
Insertion Force <sup>※1</sup>	40 N/hole			
Retention Force <sup>※1</sup>	5 N/hole			
Current Rating <sup>※2</sup>	25 A	30 A	4.5 A	4.5 A
Vibration <sup>※2</sup>	20 G			
Temperature Range	-40 – +125 °C			
Product Dimensions <sup>※3</sup> (mm)				

※1 Specifications vary depending on through-hole diameter.

※2 Board-to-board prototype results, specifications highly depend on test conditions.

※3 The prototype sample has the following dimensions. Length can be customized upon request.

※4 Through hole pitch must be set to 2.0mm Min.

# Appendix : I-PEX Product Series

[CLICK THE MATRIX](#)  
to see latest product information



**MHF<sup>®</sup>** Series  
RF connectors

[Matrix >](#)



**EVAFLEX<sup>®</sup>** Series  
**MINIFLEX<sup>®</sup>** Series  
FPC/FFC connectors

[Matrix >](#)



**AP** Series  
Power connectors/  
terminals

[Matrix >](#)



**CABLIN<sup>®</sup>** Series  
Micro-coaxial connectors

[Matrix >](#)



**ISH<sup>®</sup>** and  
**IARPB<sup>®</sup>** Series  
Discrete wire  
connectors

[Matrix >](#)



**MINIDOCK<sup>™</sup>**  
Series  
I/O connectors

[Matrix >](#)



**NOVASTACK<sup>®</sup>**  
Series  
Board-to-board connectors

[Matrix >](#)

 Please [contact us](#) for custom connectors.



I-PEX, MHF, CABLINE, NOVASTACK, EVAFLEX, MINIFLEX, ISH, IARPB, IASLP, ESTORQ, i-Fit and ISFIT are registered trademarks of I-PEX Inc. Please note that the contents in the catalog might be changed without prior notification. I-PEX Inc. assumes no responsibility for any inaccuracies or obligation to update Information on these documents. Please be sure to read and understand the latest "Precautions for Use" and "Instruction Manual" before you use our products. We shall not be responsible for any defects, damages or troubles in case you use our products without following the precautions for use. Please feel free to contact our sales representatives when you use our products for any applications that require very high reliability and safety, or that relate to human life (ex. nuclear power control, aerospace, transportation, medical equipment, safety equipment etc.).

Contact your sales representative for more detailed information. [ [i-pex.com](http://i-pex.com) ]

**I-PEX Inc.**