

CABLINE®-CAL

較低嵌合高度(嵌合高度 = 0.8 mm max.) · 高速數據傳輸(32 Gbps/lane),
機械鎖扣 · 0.4 mm間距,水平對插款的極細同軸線連接器

Product Specifications:

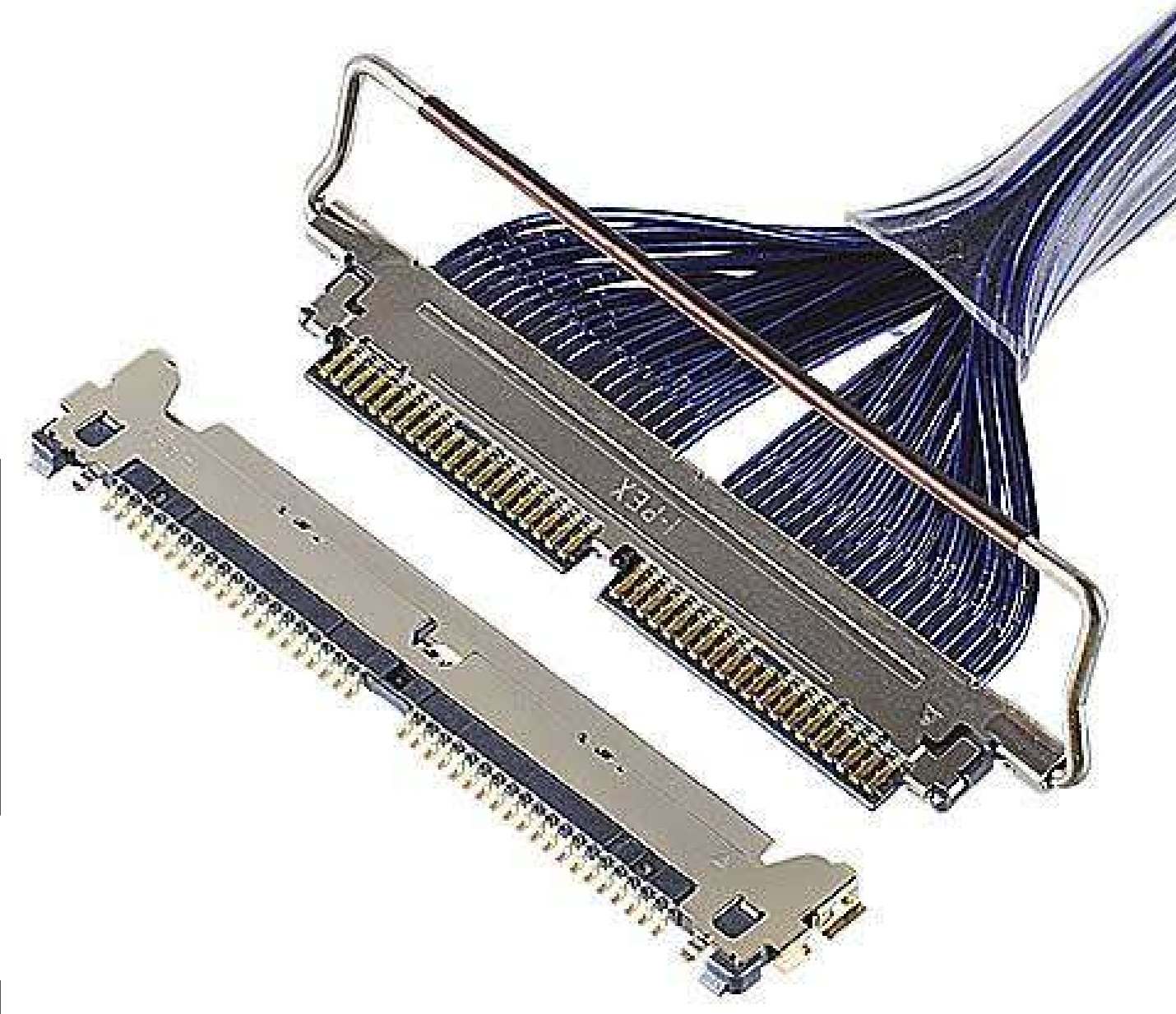
Mating type	Horizontal	
Board Pitch (mm)	0.4	
Wiping Length (mm)	0.4	
Mated size (mm)	Height	0.80 Max
	Width	Formula: 10-20p: 6.85 + (0.4*p)
		Formula: 22-40p: 8.05 + (0.4*p)
Depth	5.5	
Pin Counts	Range	Up to 40
	Available	30, 40

Applicable Cable Size:

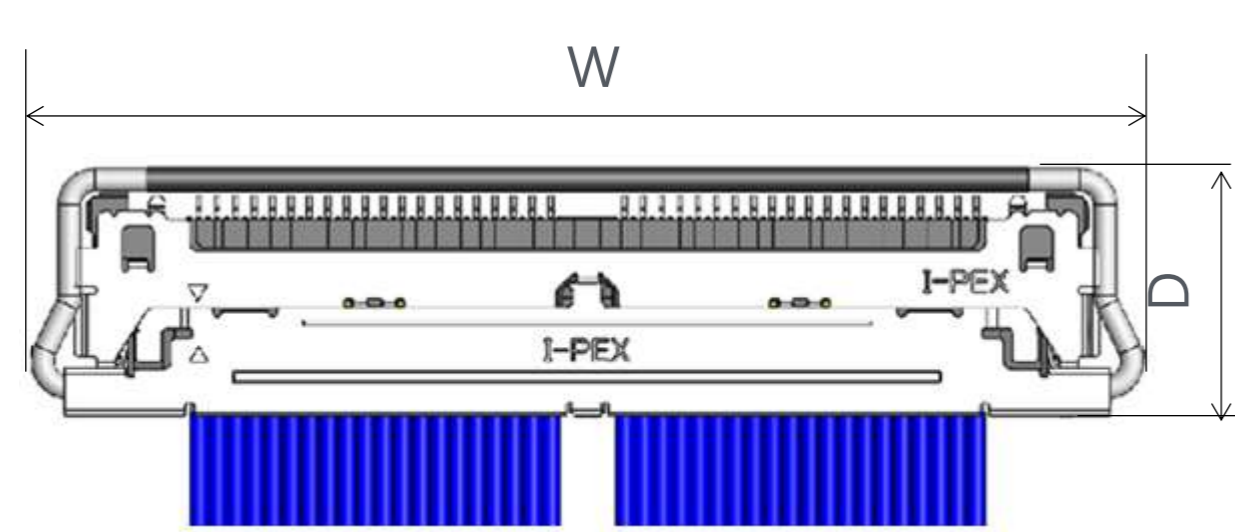
Maximum O.D. (mm)	0.4
Micro-Coaxial for Signal (AWG)	45 ohm: #38 or smaller 50 ohm: #40 or smaller
Twinax (AWG)	-
Discrete (AWG)	#34 or smaller

Applicable Standards (Reference Only):

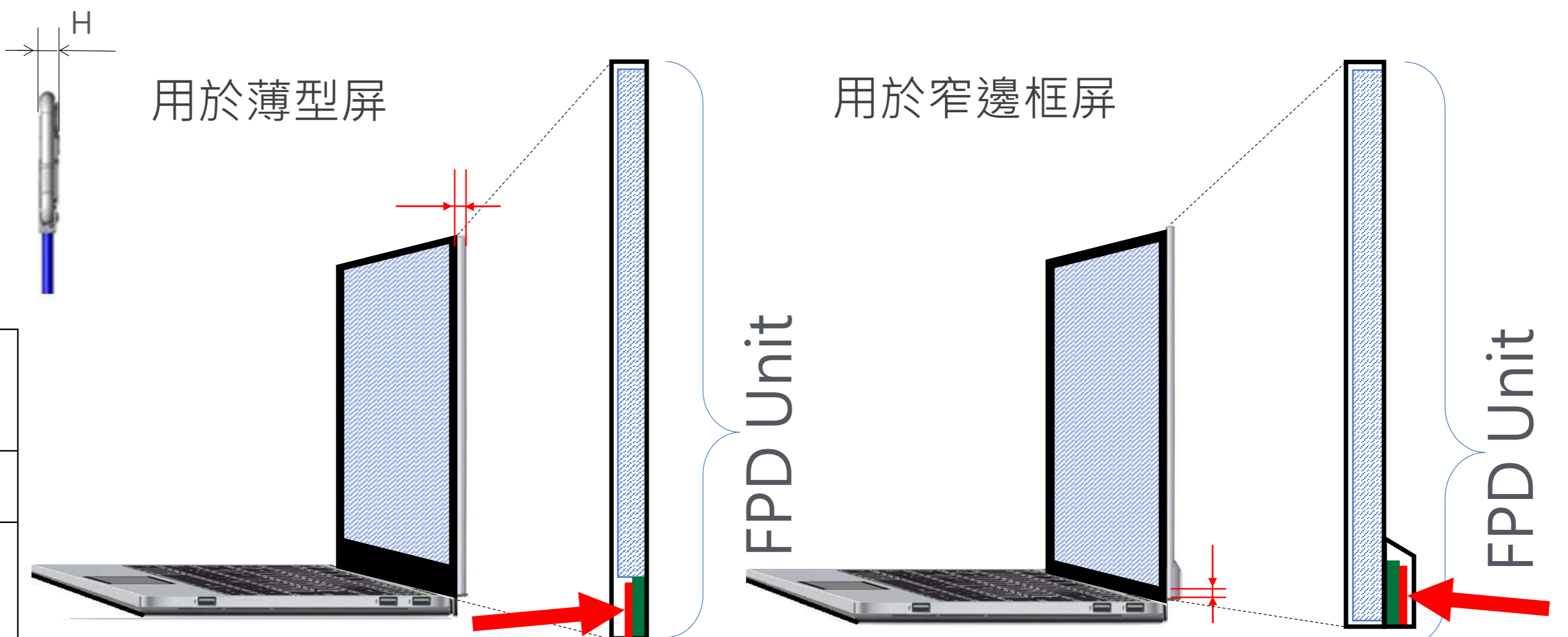
32 Gbps/ Lane, USB4 Gen4 (40 Gbps/ Lane PAM3)
Display Port UHBR20 (20 Gbps/Lane)



適用於低空間的連接器



CABLIN®-CAL 40p 一套嵌合後的尺寸(mm)		
W	D	H
24.05	5.50	0.80 max.



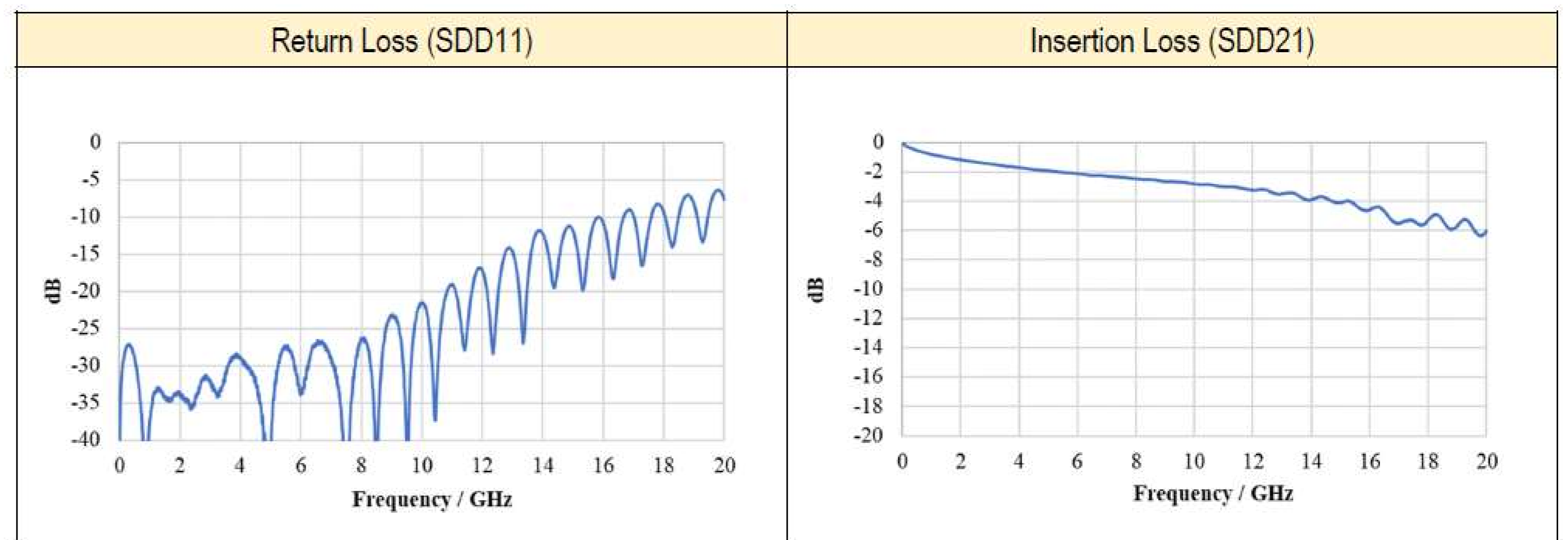
高速率傳輸, 32Gbps/lane應用的理想選擇

Measurement results

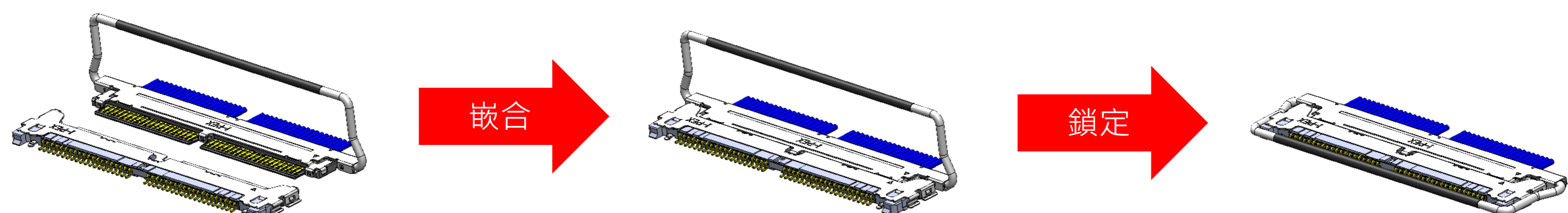
Connector: CABLINE-CAL 30P

Cable: Micro-coaxial cable
AWG #40, 45ohm, Length: 100 mm

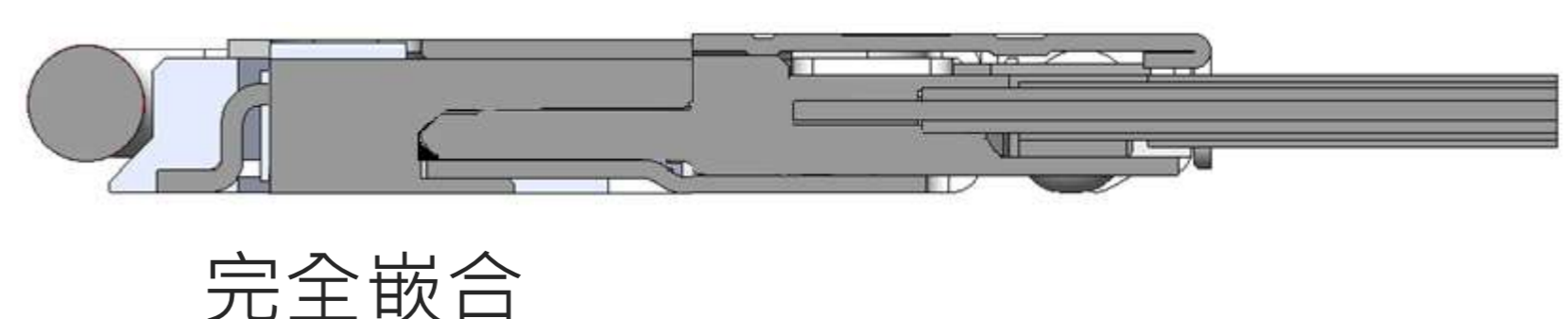
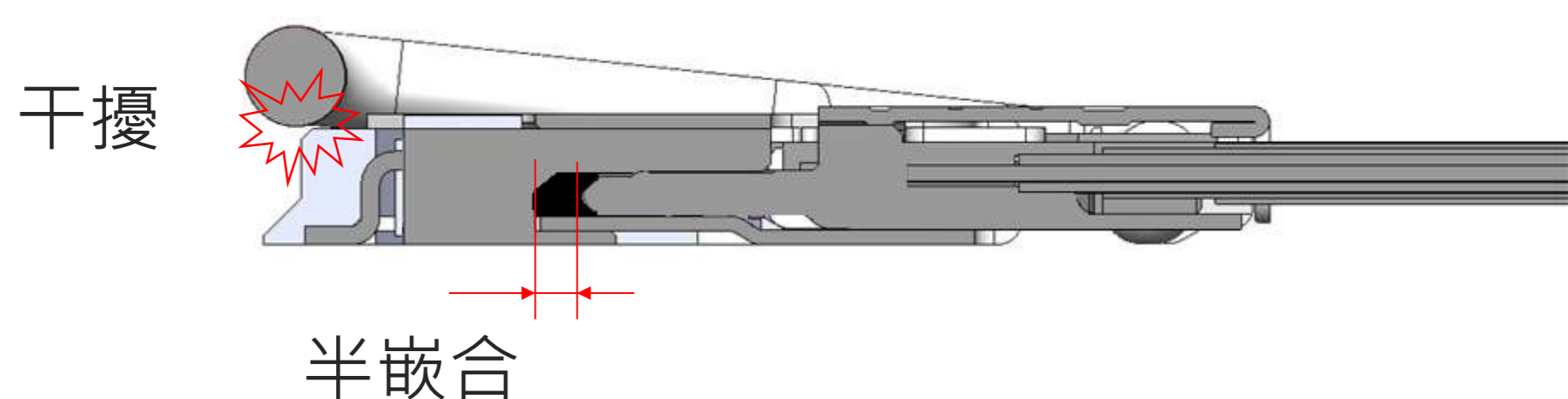
Pin Assignment: GSSGSSG



機械式鎖扣防止半嵌合和連接器彈出/未嵌合

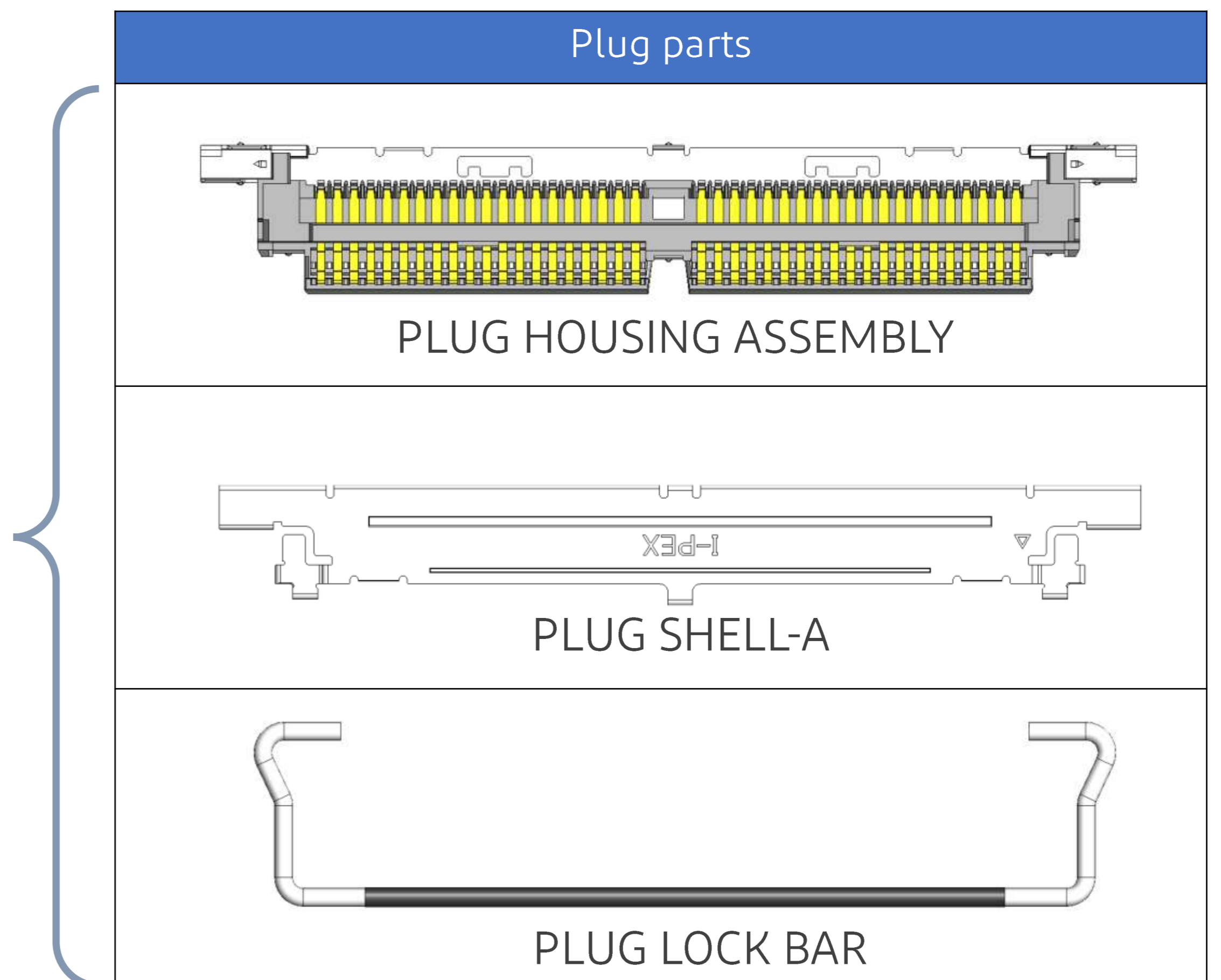
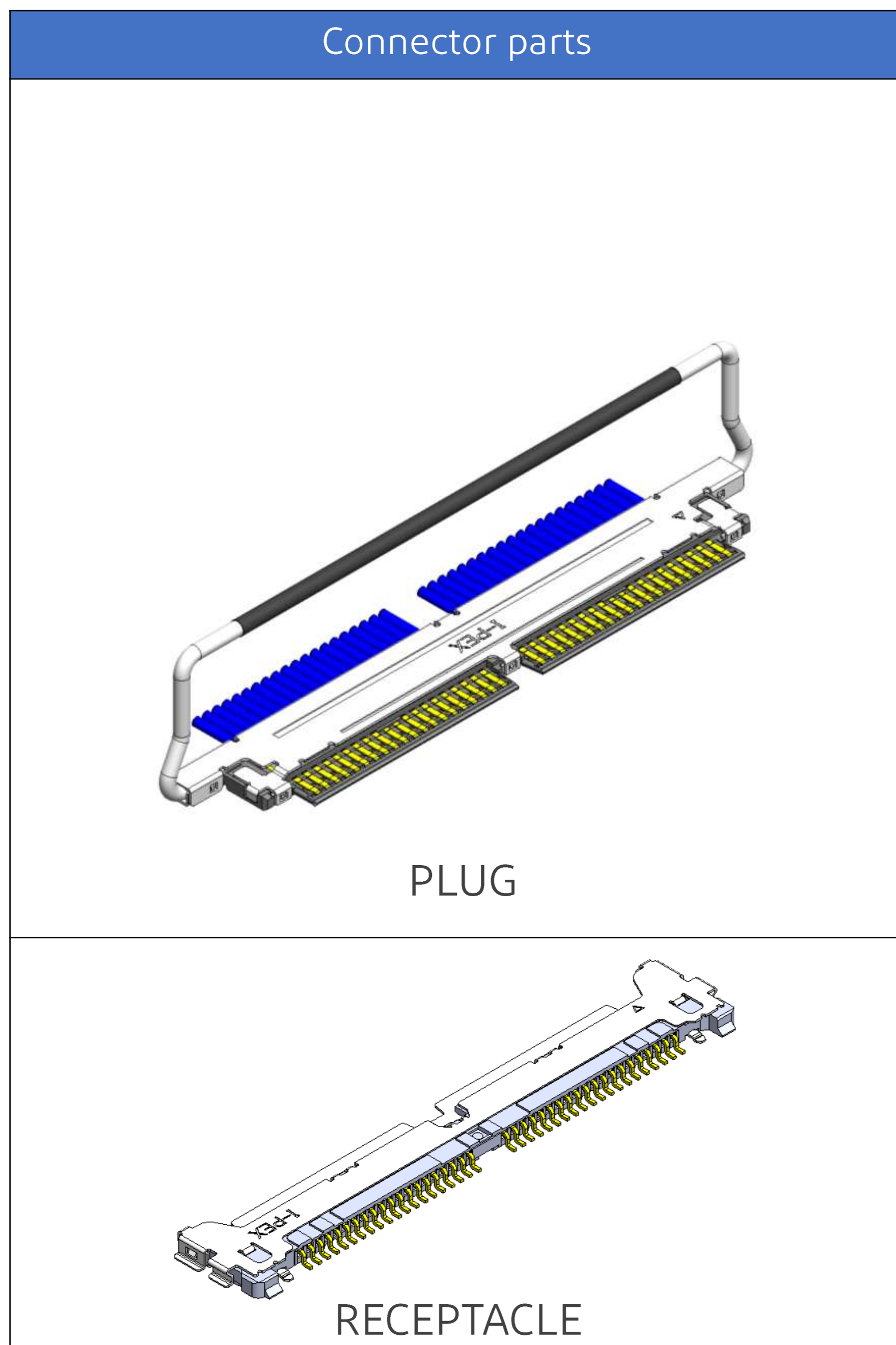


只有當公座完全和母座嵌合時，機械鎖扣才能鎖上



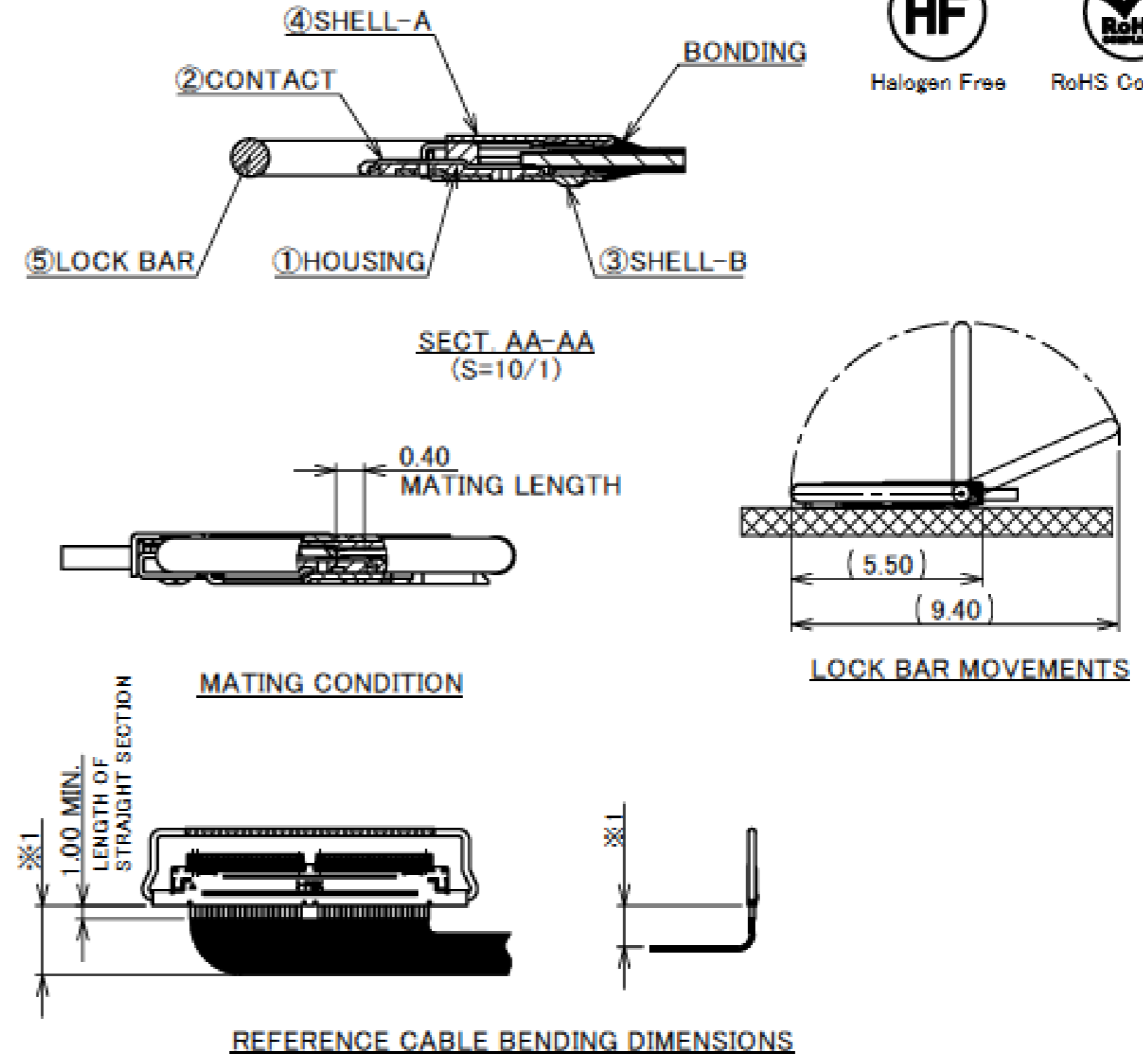
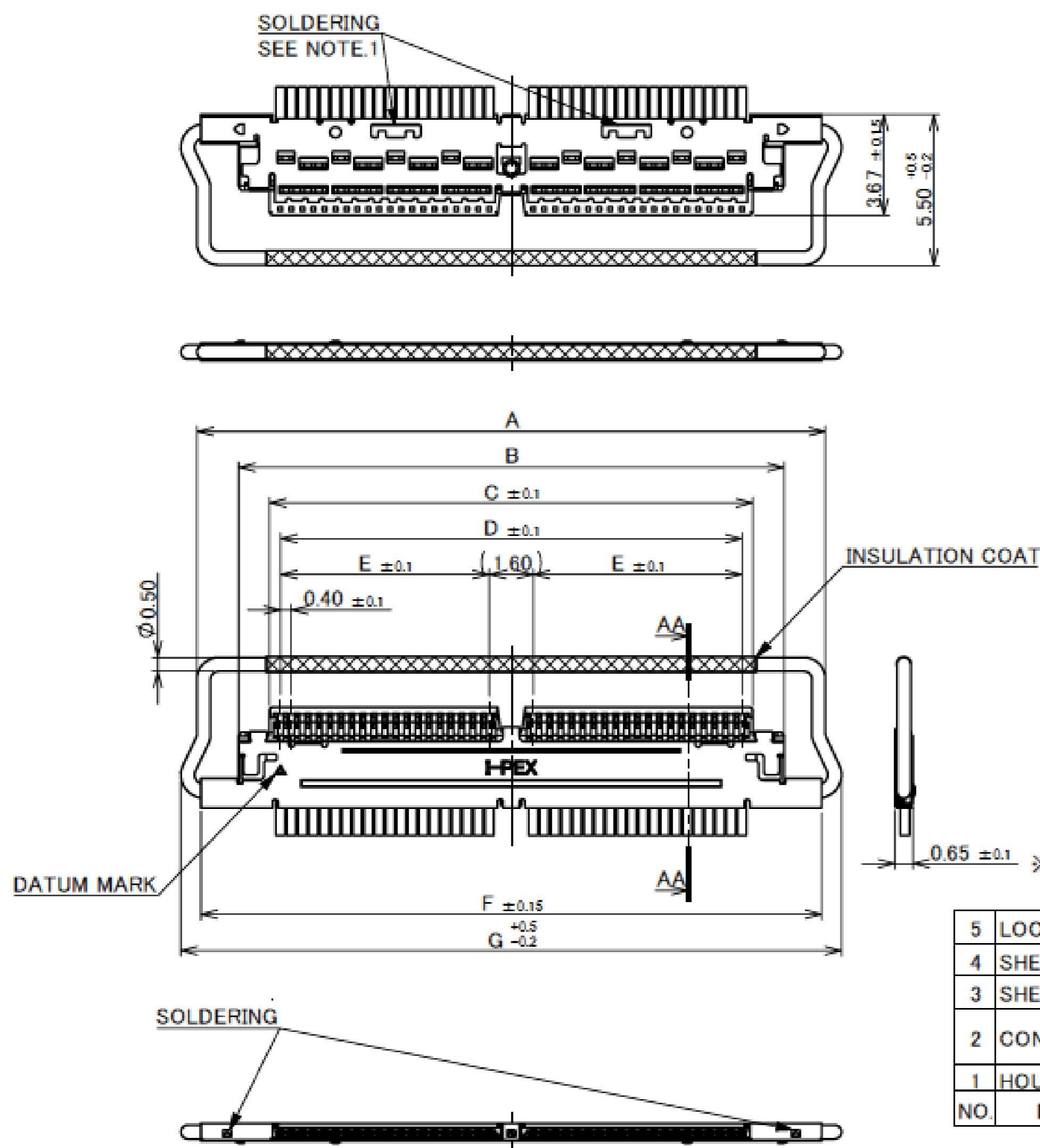
Component Parts Details

Component Parts



Plug for Cable Assembly

Recommended P/N		20728-0**T-01						
PART NO.	Pos.	A	B	C	D	E	F	G
20728-030T-01	30	18.89	15.86	13.60	12.80	5.60	18.60	20.05
20728-040T-01	40	22.89	19.86	17.60	16.80	7.60	22.60	24.05



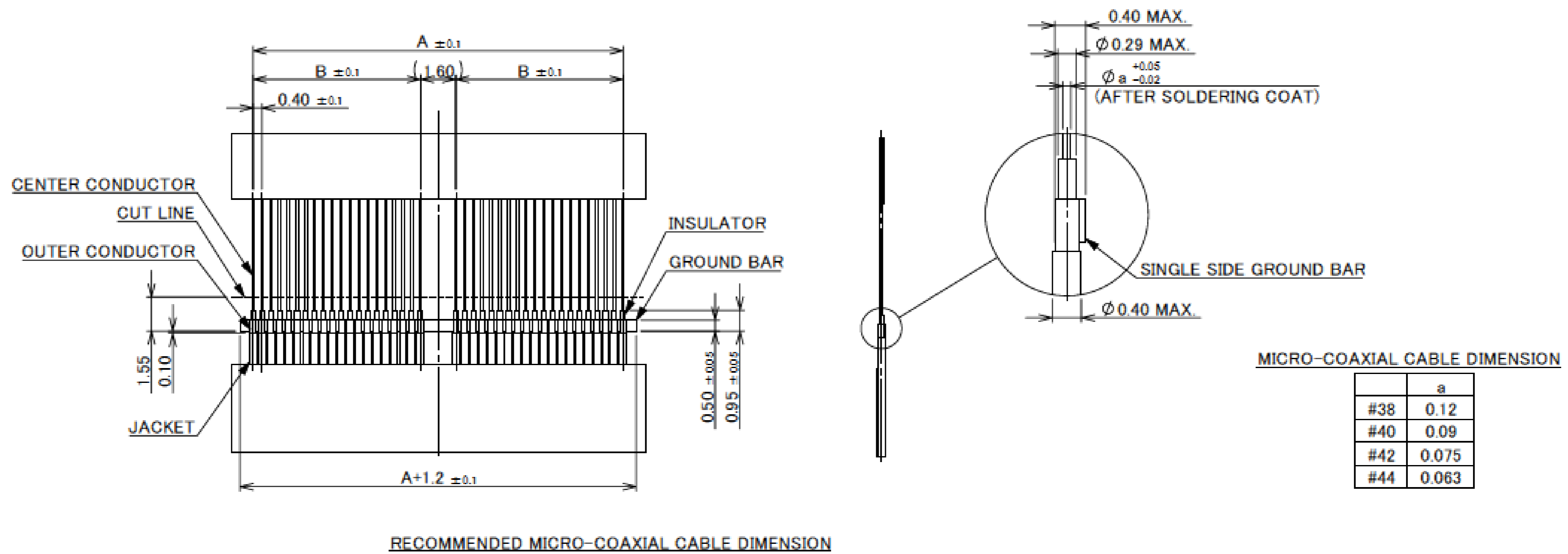
※1: THE BEND DIMENSIONS MAY VARY BASED ON THE SIZE AND QUANTITY OF CABLES. PLEASE CONFIRM THE MINIMUM BENDING RADIUS WITH I-PEX OR THE HARNESS MANUFACTURER.

NO.	DISCRIPTION	MATERIAL	FINISH , REMARKS
5	LOCK BAR	SUS	-
4	SHELL-A	PHOSPHOR BRONZE	PARTIAL Au 0.003 μm MIN. OVER Ni 1.0 μm MIN.
3	SHELL-B	PHOSPHOR BRONZE	PARTIAL Au 0.003 μm MIN. OVER Ni 1.0 μm MIN.
2	CONTACT	PHOSPHOR BRONZE	ALL OVER Ni 1.0 μm MIN. CONTACT & SOLDERING AREA : Au 0.03 μm MIN.
1	HOUSING	LCP	UL94V-0 BLACK RED PHOSPHORUS FREE

NOTES.
1. SOLDERING IS ONLY A CASE WITH GND-BAR.

Rev.7

PART NO.	Pos.	A	B
20728-030T-0#	30	12.80	5.60
20728-040T-0#	40	16.80	7.60



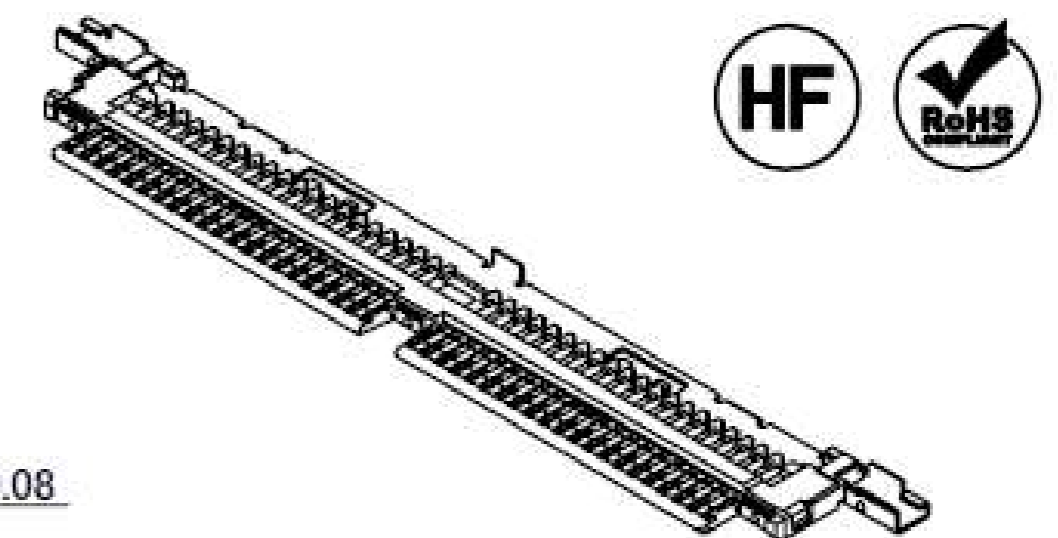
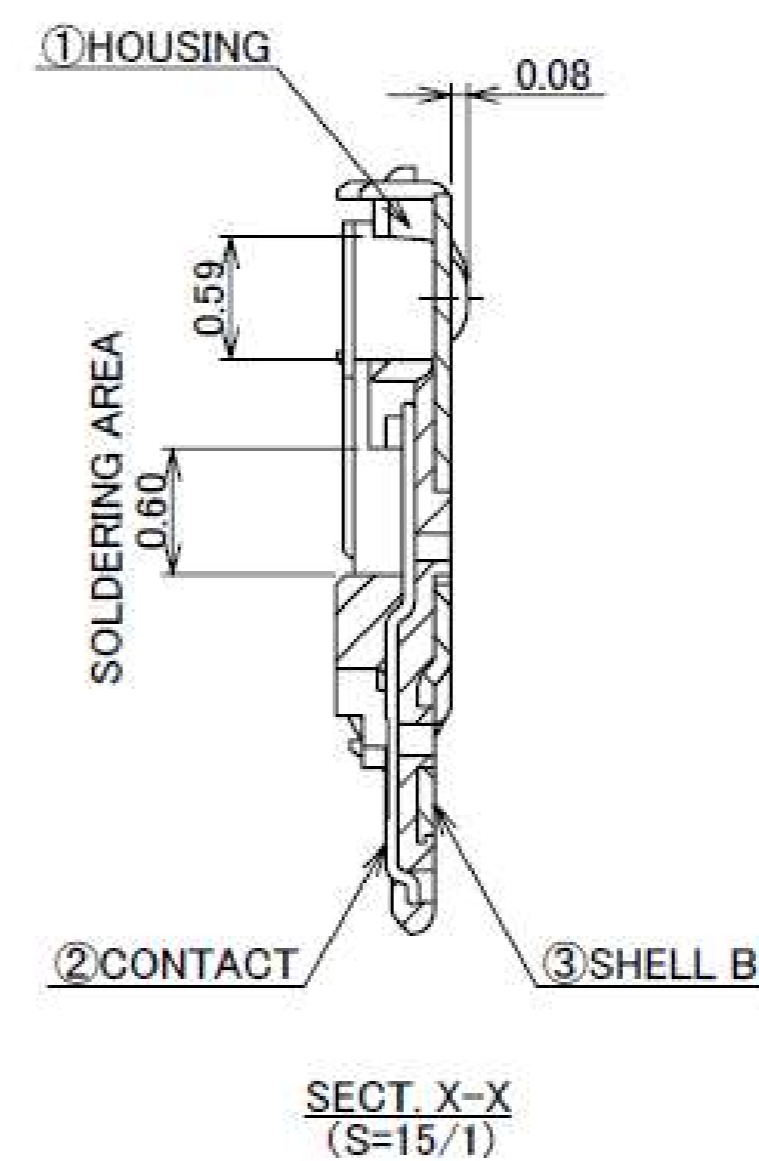
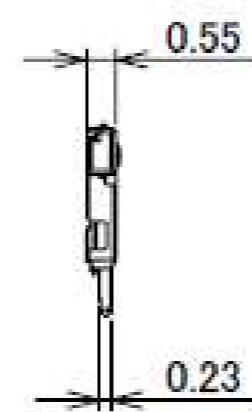
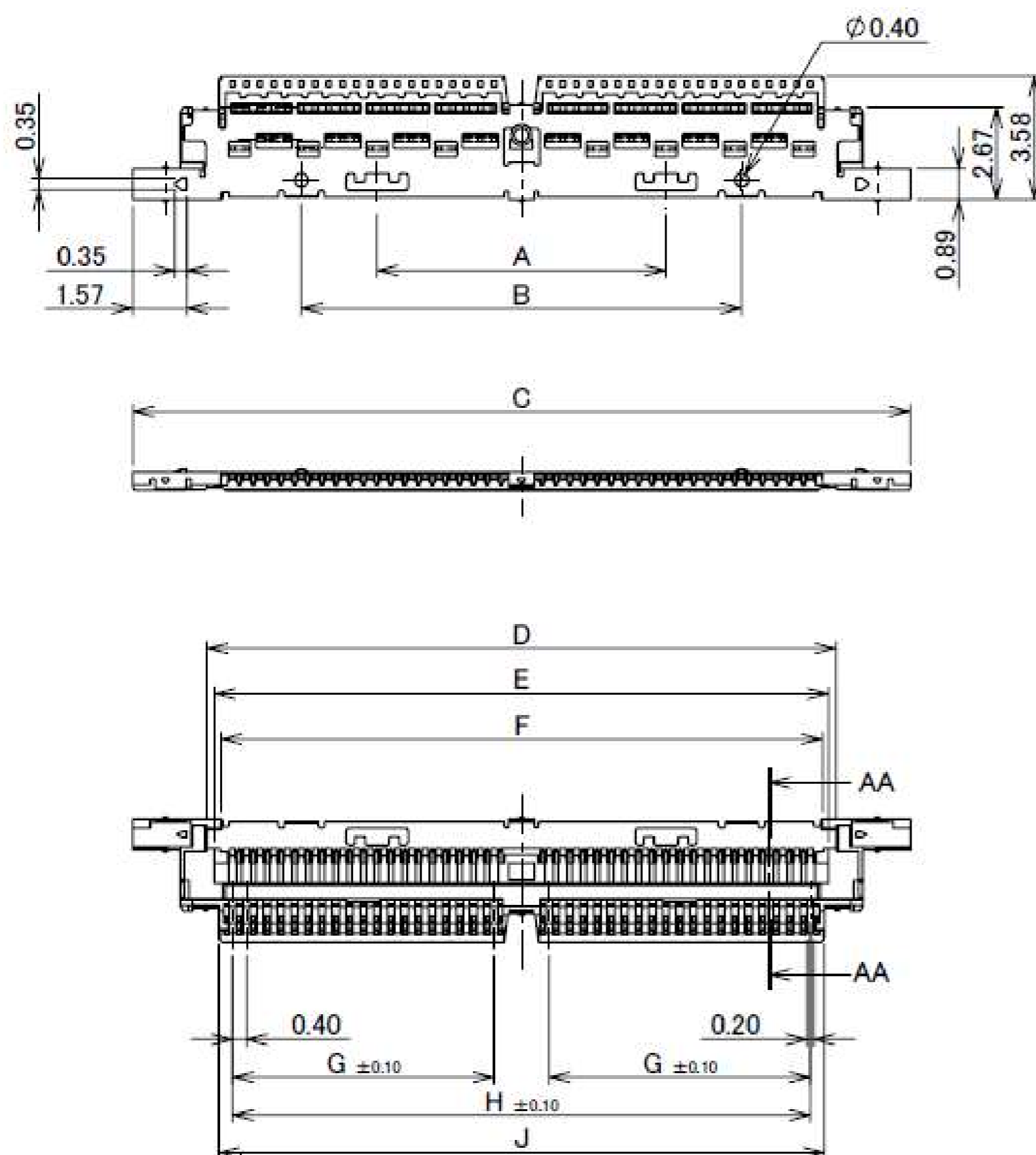
Plug for Cable Assembly

ITEMS	SPECIFICATION
APPLICABLE CABLE	MICRO-COAXIAL CABLE : AWG# 38,40,42,44 DISCRETE WIRE : AWG# 34,36
RATING VOLTAGE	100V AC (PER CONTACT PIN) ※THIS IS THE RATED VOLTAGE OF THE CONNECTOR. PLEASE NOTE THAT THE RATED VOLTAGE MAY VARY IN THE HARNESS DEPENDING ON THE CABLES USED.
RATING AMPERAGE (FOR CONTACT)	0.15A AC/DC [AWG#44] PER CONTACT PIN/UP TO 40 CONTACTS 0.24A AC/DC [AWG#42] PER CONTACT PIN/UP TO 40 CONTACTS 0.30A AC/DC [AWG#40] PER CONTACT PIN/UP TO 32 CONTACTS 0.50A AC/DC [AWG#38] PER CONTACT PIN, FOR POWER/UP TO 14 CONTACTS 0.80A AC/DC [AWG#36] PER CONTACT PIN, FOR POWER/UP TO 5 CONTACTS 1.00A AC/DC [AWG#34] PER CONTACT PIN, FOR POWER/UP TO 4 CONTACTS ※ TESTING BY A REAL MACHINE IS RECOMMENDED BECAUSE TEMPERATURE RISE MAY AFFECTED BY ACTUAL SITUATION
OPERATING TEMPERATURE	233~358K(-40°C~+85°C)
OPERATING HUMIDITY	85% MAX.(NON-CONDENSING)
CONTACT RESISTANCE	INITIAL : 180mohm MAX.(AWG#34) / AFTER TEST : \triangle 40mohm MAX. 275mohm MAX.(AWG#36) 360mohm MAX.(AWG#38) 600mohm MAX.(AWG#40) 700mohm MAX.(AWG#42) 1080mohm MAX.(AWG#44)
GROUND SHELL RESISTANCE	INITIAL : 50mohm MAX. / AFTER TEST : \triangle 40mohm MAX.
INSULATION RESISTANCE	INITIAL : 1000Mohm MIN. / AFTER TEST : 500Mohm MIN.
DIELECTRIC WITHSTANDING VOLTAGE	AC250V 1min
DURABILITY	30 CYCLES
MATING FORCE (INITIAL / AFTER TEST)	30P : 12.0N MAX. 40P : 16.0N MAX.
UNMATING FORCE (INITIAL / AFTER TEST)	30P : 1.80N MIN. 40P : 2.40N MIN.
CABLE RETENTION FORCE	30P : 11.8N MIN. 40P : 12.4N MIN.
PRODUCT SPECIFICATION	PRS-2371
TEST REPORT	TR-17036
INSTRUCTION MANUAL	HIM-17010
ASSEMBLY MANUAL	ASM-17003
APPEARANCE CRITERIA No.	QLS-A***

Rev.7

Plug Housing Assembly

Recommended P/N		20777-0**T-01									
PART No.	Pos.	A	B	C	D	E	F	G	H	J	
20777-030T-01	30	4.40	8.80	18.60	14.30	13.85	13.50	5.60	12.80	13.60	
20777-040T-01	40	8.40	12.80	22.60	18.30	17.85	17.50	7.60	16.80	17.60	



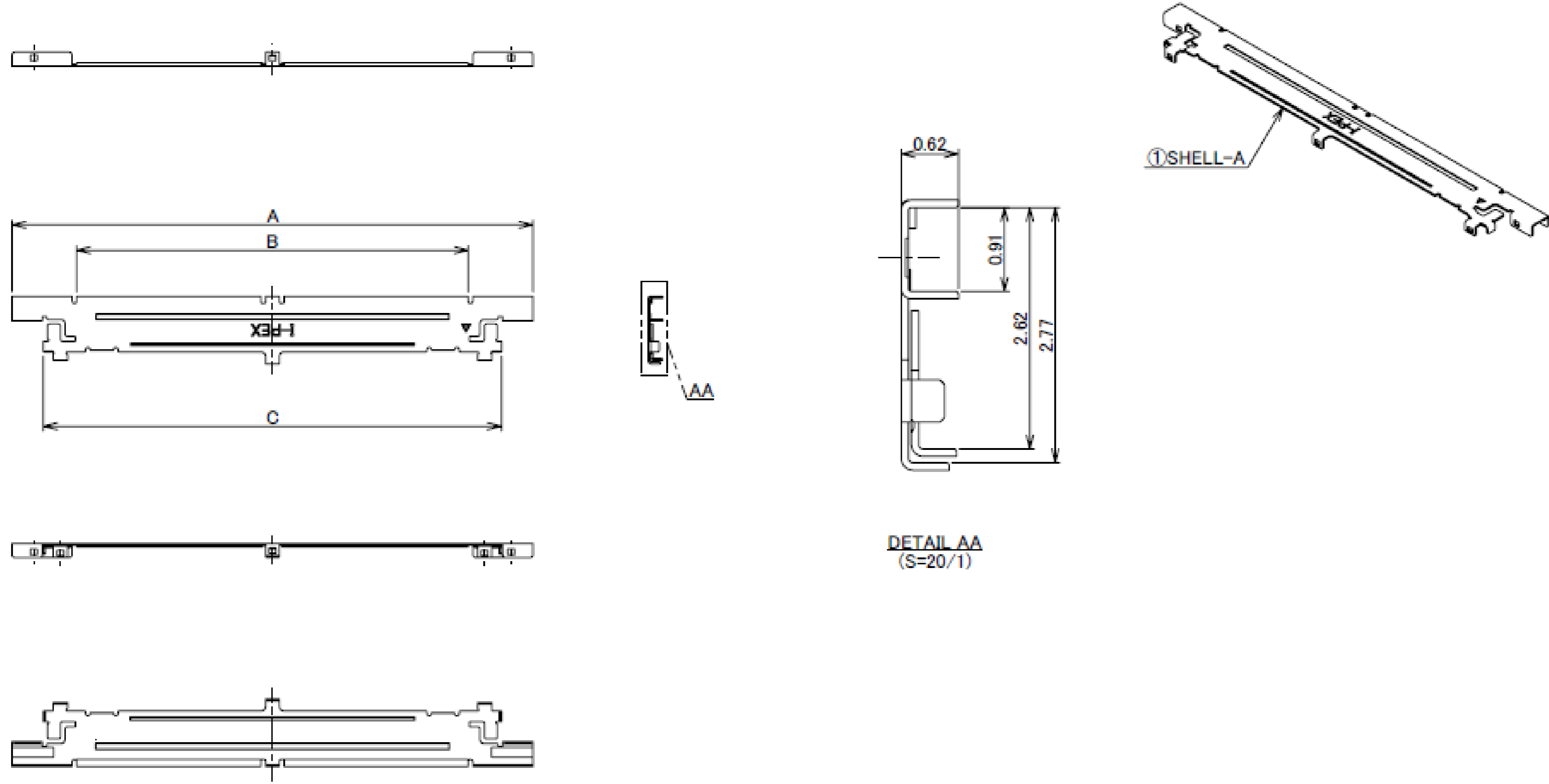
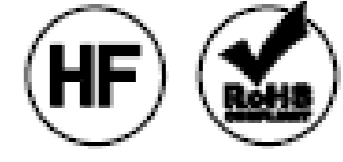
NOTES.
1. THIS PART IS ASSEMBLED WITH P/N: 3298-0**1 AND 3300-**1 AFTER SOLDERING CABLES AND SHALL BE ASSIGNED AS P/N: 20728-0**T-01.

NO.	DISCRIPTION	MATERIAL	FINISH , REMARKS
3	SHELL-B	PHOSPHOR BRONZE	PARTIAL Au 0.003 μ m MIN. OVER 1.00 μ m MIN.
2	CONTACT	PHOSPHOR BRONZE	ALL OVER Ni 1.00 μ m MIN. CONTACT & SOLDERING AREA : Au 0.03 μ m MIN.
1	HOUSING	LCP	UL94-0, BLACK, RED PHOSPHORUS FREE

Rev.4

Plug Shell-A

Recommended P/N		3298-0**1		
PART No.	Pos.	A	B	C
3298-0301	30	18.60	12.98	15.86
3298-0401	40	22.60	16.98	19.86

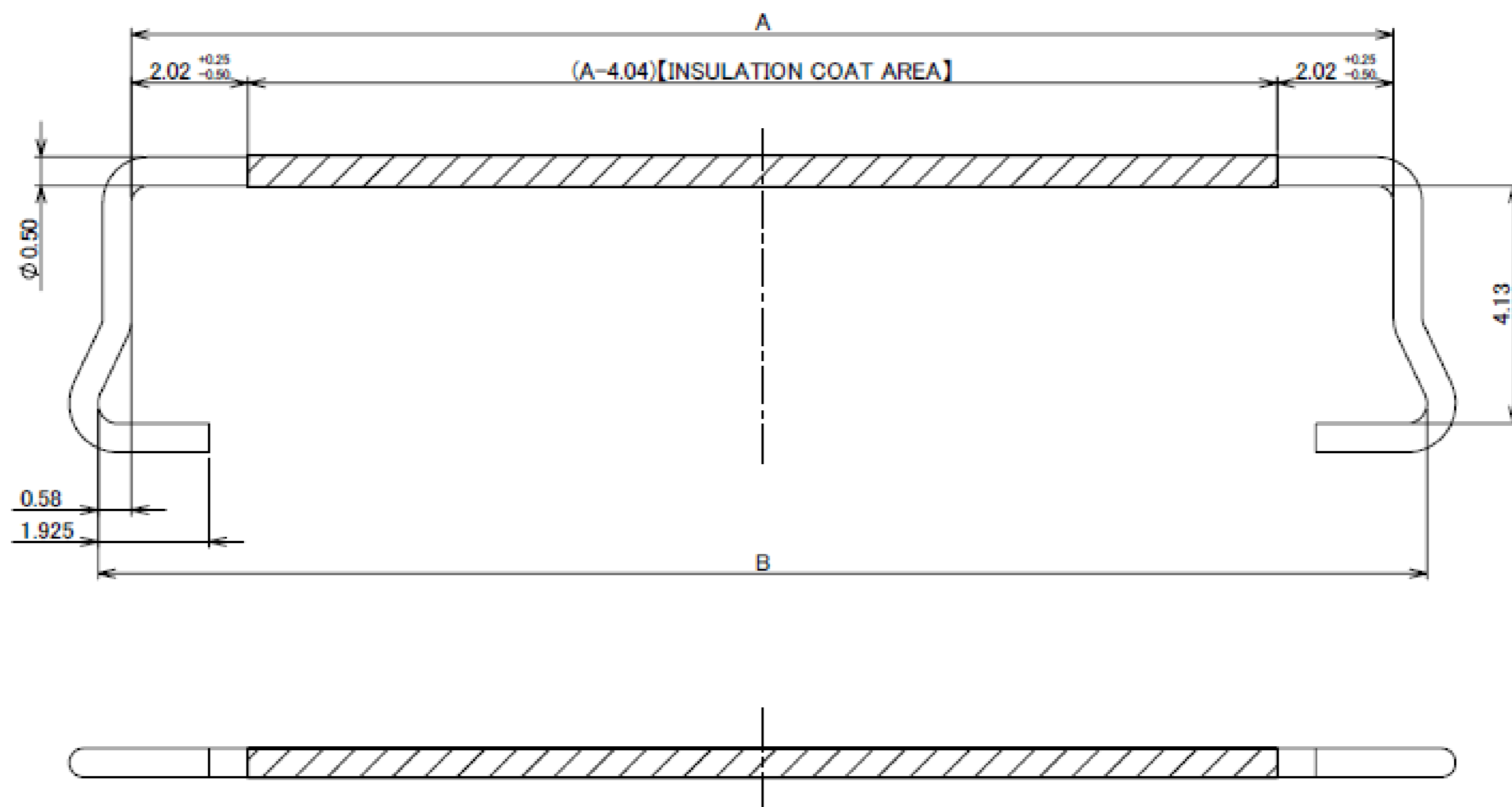
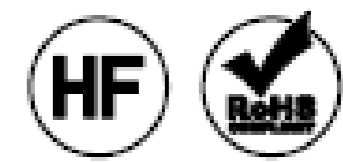


NO.	DISCRIPTION	MATERIAL	FINISH , REMARKS
1	SHELL-A	PHOSPHOR BRONZE	PARTIAL Au 0.003 μm MIN. OVER Ni 1.0 μm MIN.

Rev.3

Plug Lock Bar

Recommended P/N		3300-0**1	
PART No.	Pos.	A	B
3300-0301	30	17.89	19.05
3300-0401	40	21.89	23.05

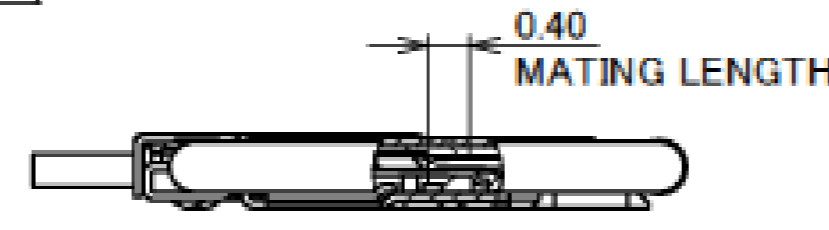
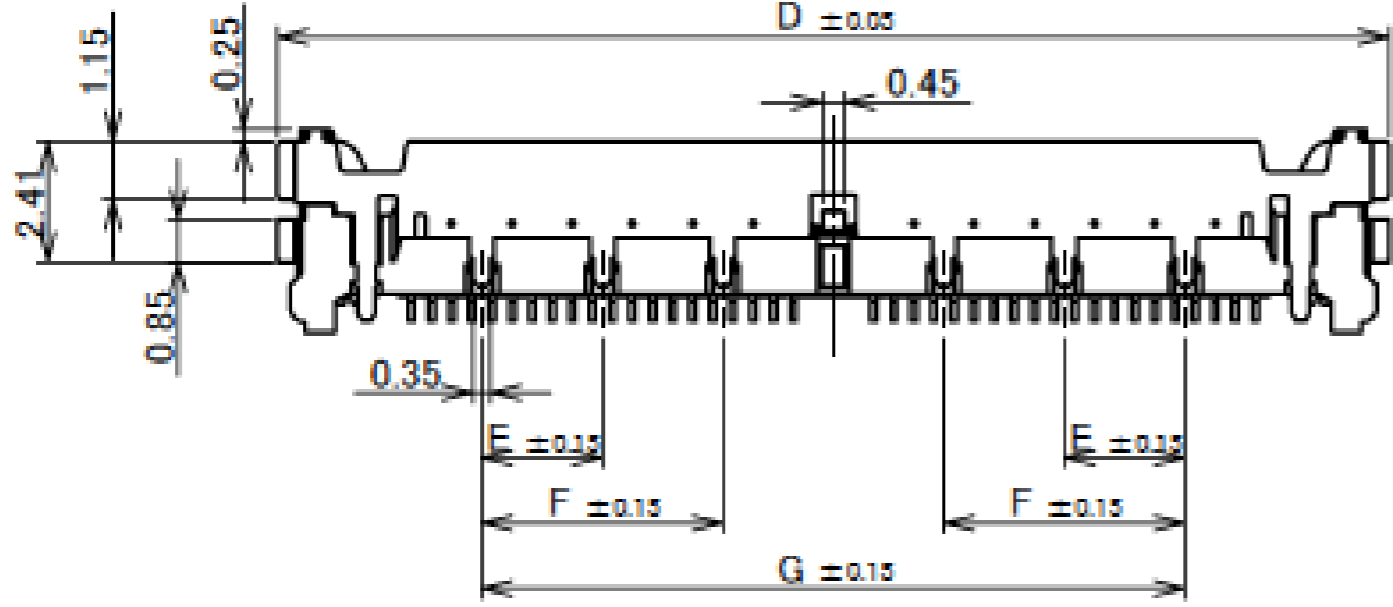
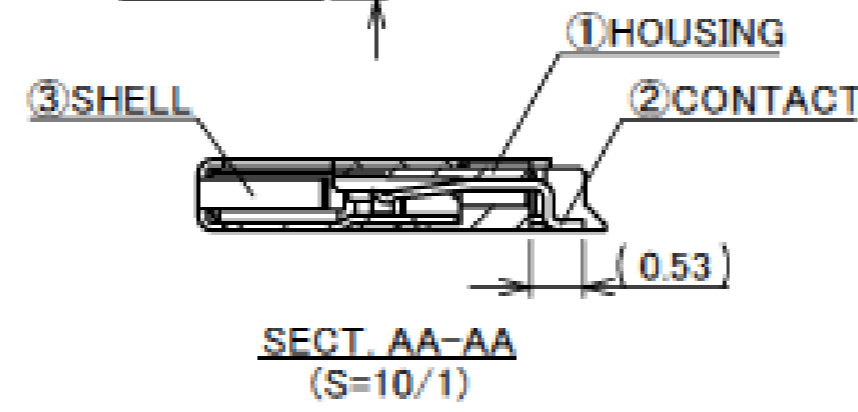
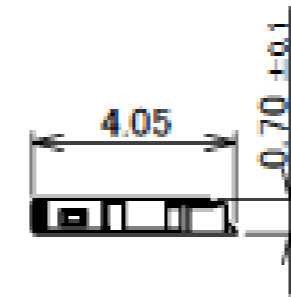
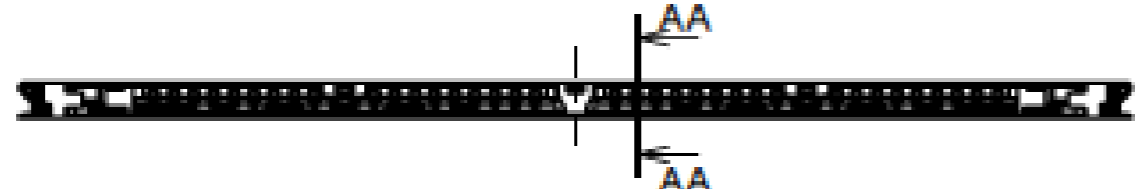
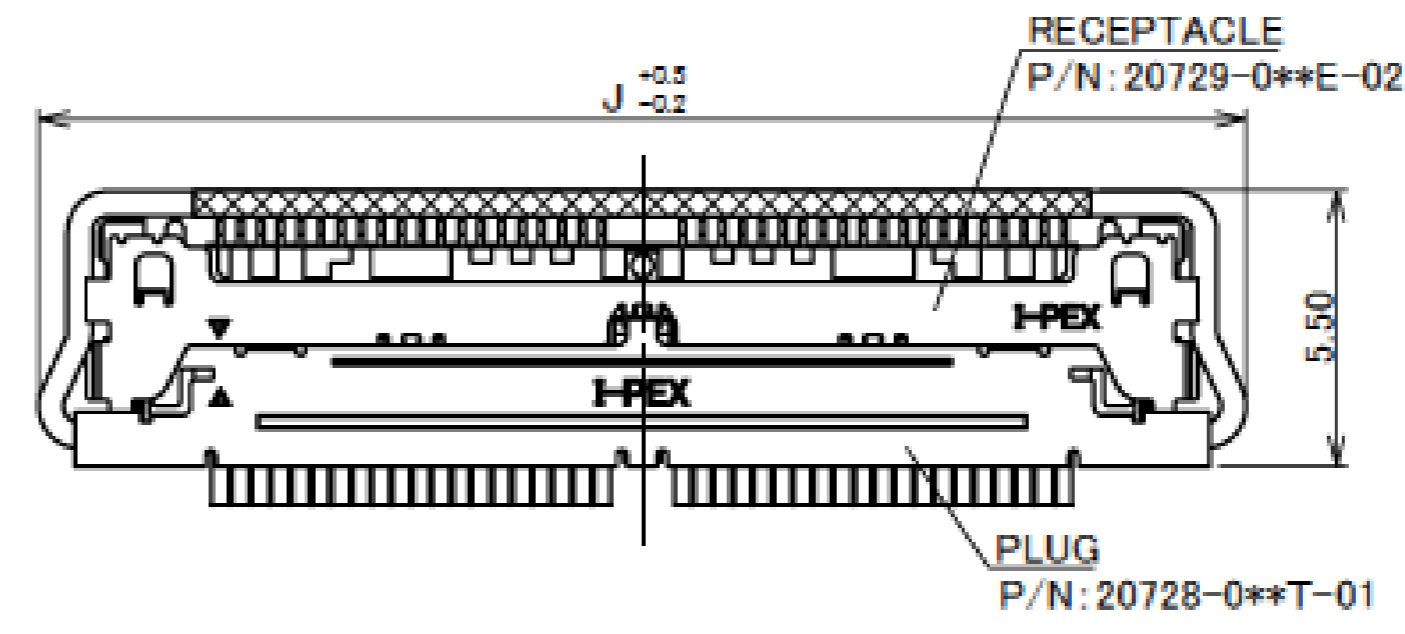
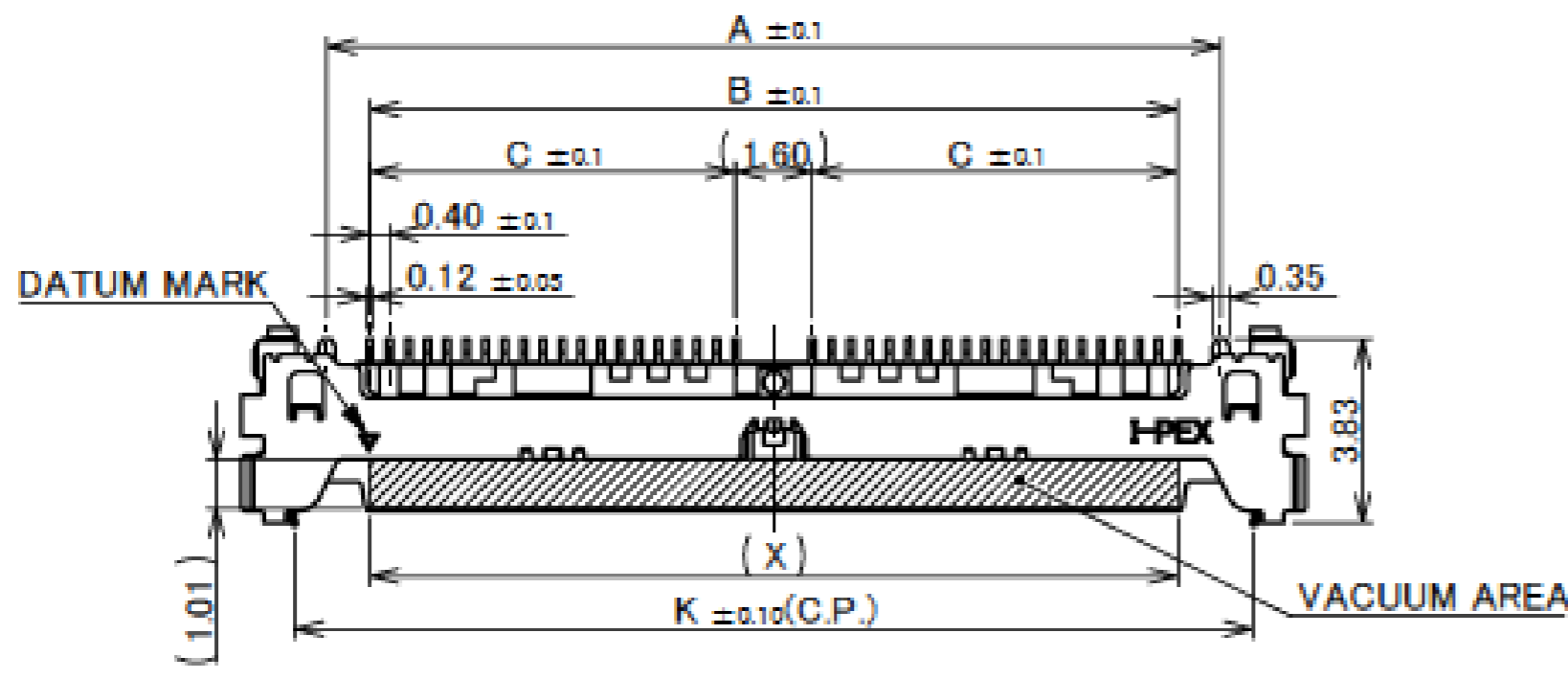
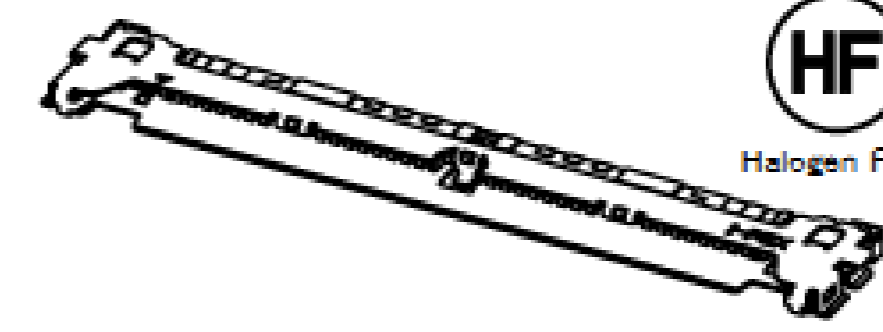


NO.	DISCRIPTION	MATERIAL	FINISH , REMARKS
1	LOCK BAR	SUS	--

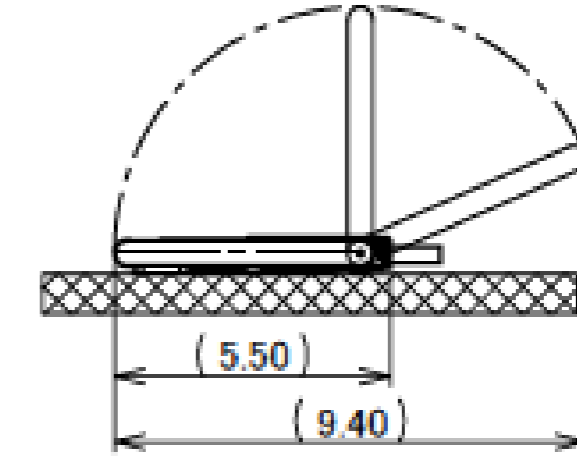
Rev.3

Receptacle Assembly

Recommended P/N		20729-0**E-02									
PART NO.	Pos.	A	B	C	D	E	F	G	H	K	X
20729-030E-02	30	14.60	12.80	5.60	18.14	-	2.80	10.00	20.05	15.95	12.81
20729-040E-02	40	18.60	16.80	7.60	22.14	2.40	4.80	14.00	24.05	19.95	16.81

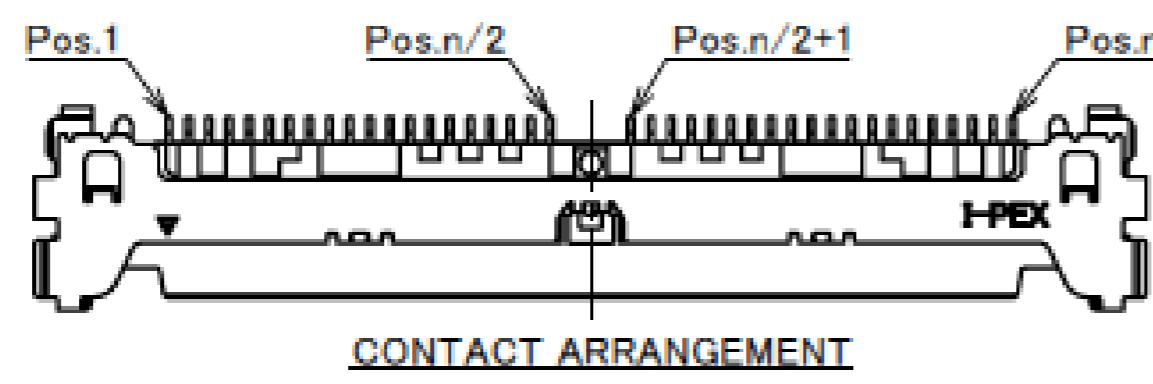
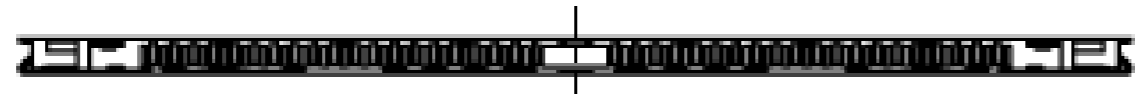


MATING CONDITION

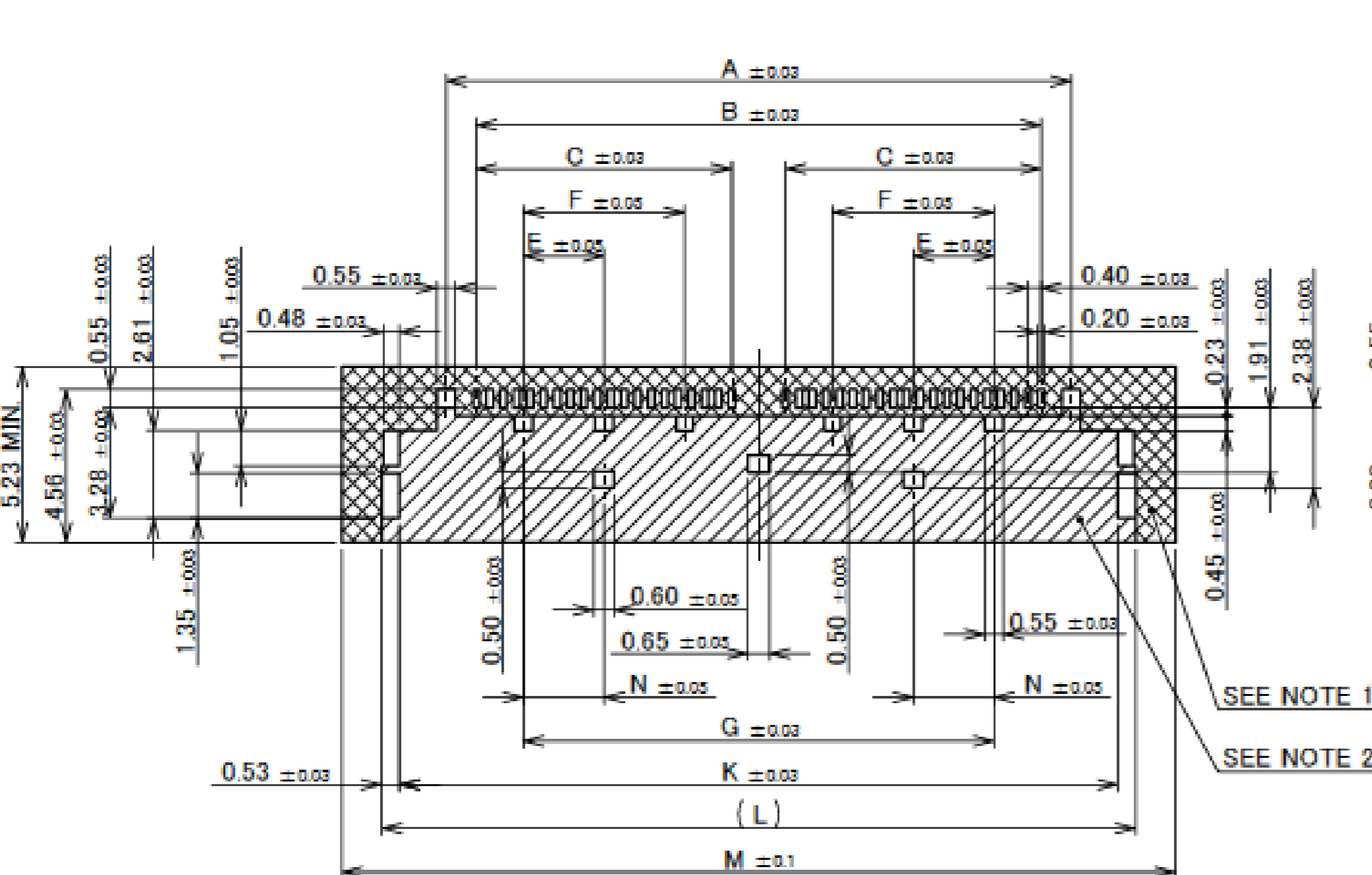


LOCK BAR MOVEMENTS

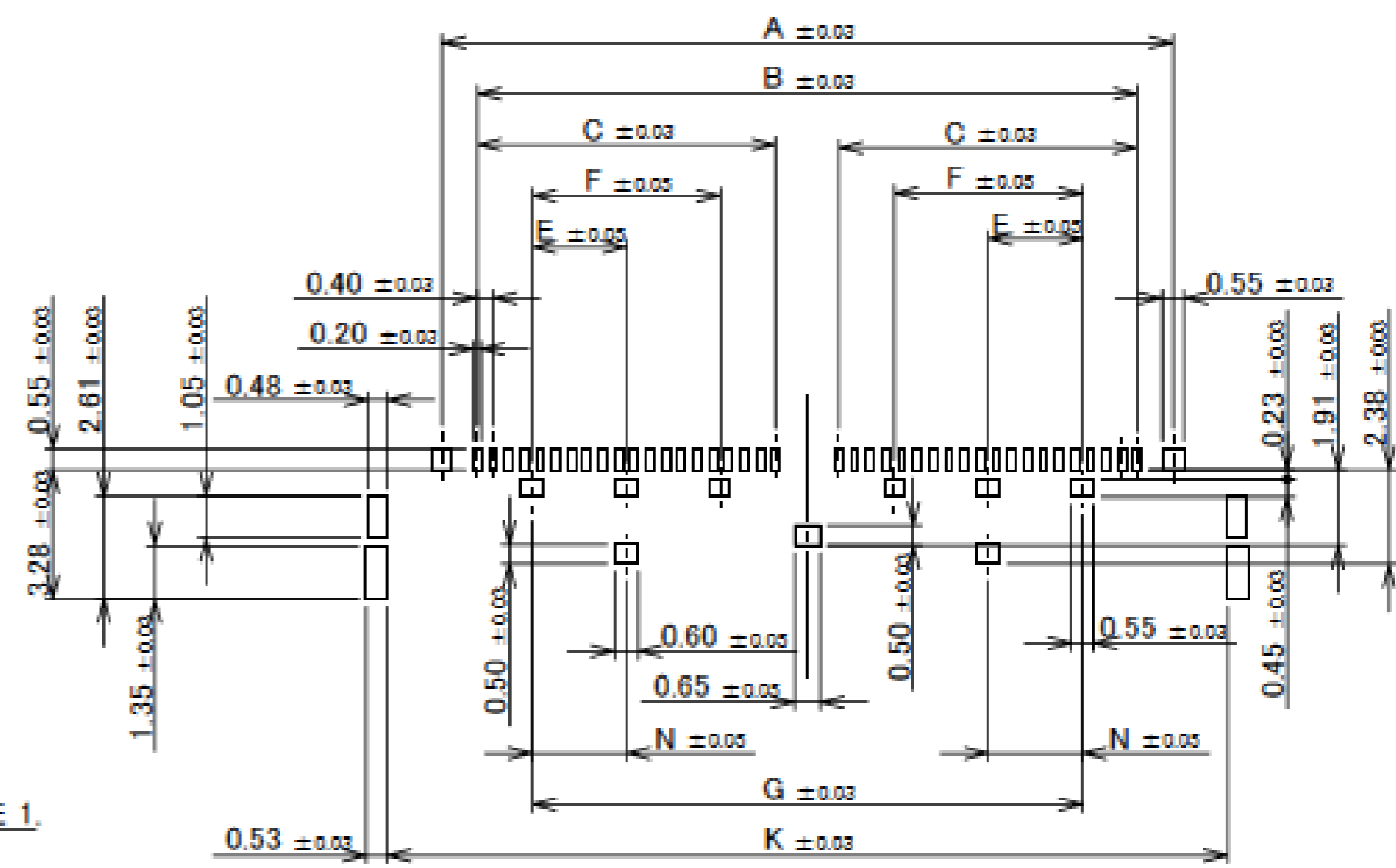
NO.	DISCRIPTION	MATERIAL	FINISH, REMARKS
3	SHELL	PHOSPHOR BRONZE	ALL OVER Ni 1.00 μm MIN. SOLDERING AREA : Au 0.02 μm MIN.
2	CONTACT	PHOSPHOR BRONZE	ALL OVER Ni 1.00 μm MIN. CONTACT & SOLDERING AREA : Au 0.03 μm MIN.
1	HOUSING	LCP	UL94V-0. BLACK. RED PHOSPHORUS FREE



PART NO.	Pos.	A	B	C	E	F	G	K	L	M	N
20729-030E-02	30	14.60	12.80	5.60	-	2.80	10.00	17.38	18.44	20.80	1.40
20729-040E-02	40	18.60	16.80	7.60	2.40	4.80	14.00	21.38	22.44	24.80	2.40



RECOMMENDED PCB LAYOUT



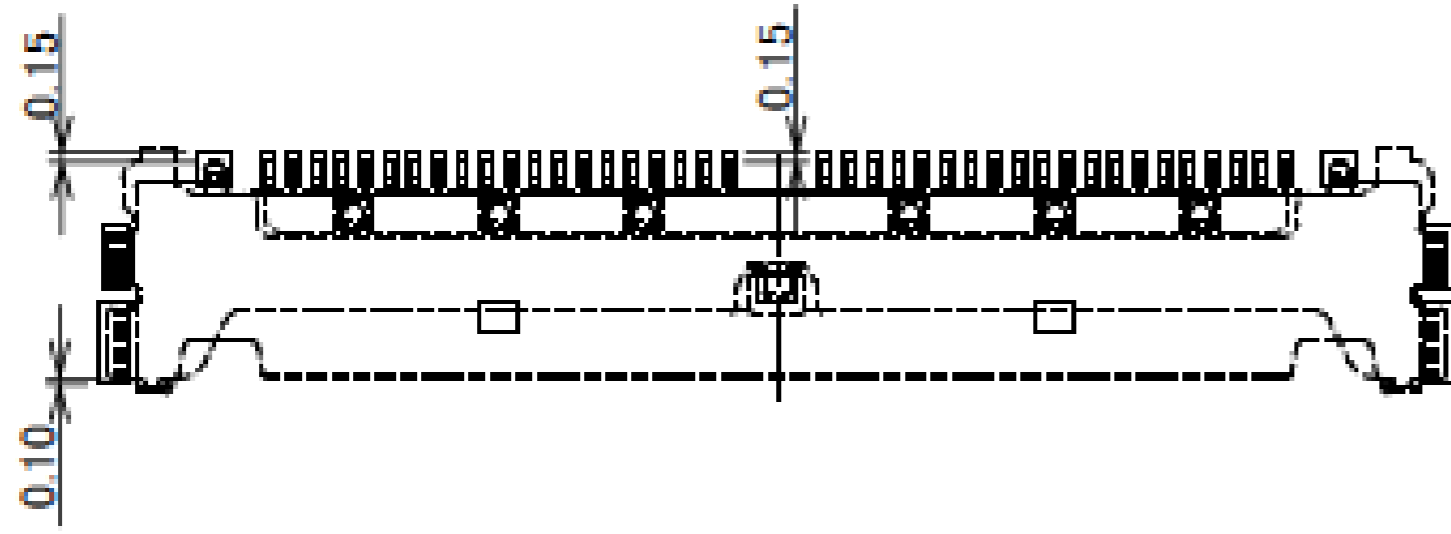
RECOMMENDED METAL MASK LAYOUT
METAL MASK THICKNESS : t=0.10 mm

NOTES.
1. DO NOT MOUNT ANOTHER COMPONENTS IN THIS AREA.
2. SOLDER RESIST MUST BE APPLIED TO THIS AREA.

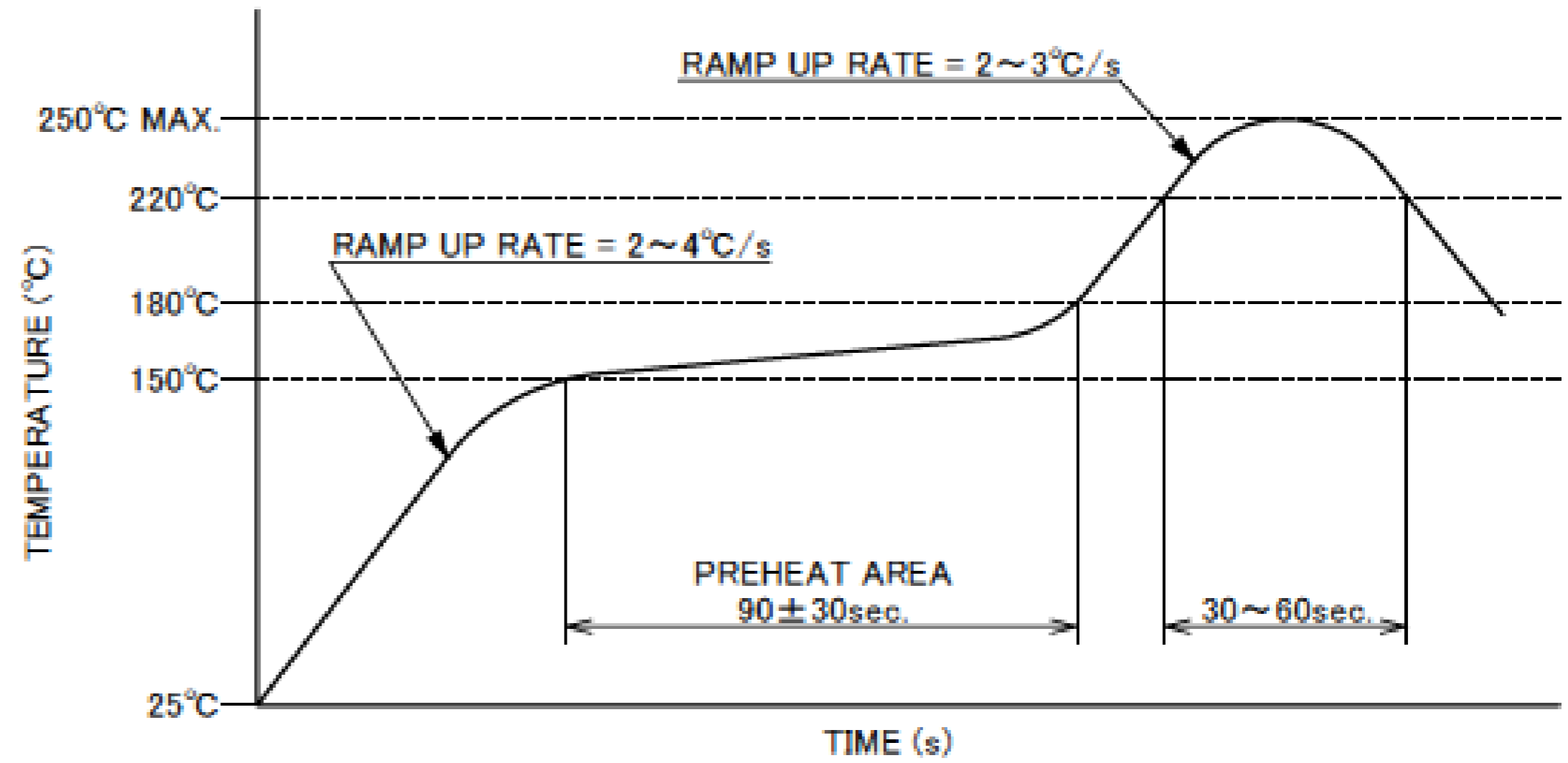
Rev.8

Rev.8

Receptacle Assembly



CONNECTOR ON RECOMMENDED FOOTPRINT PATTERN



REFLOW TEMPERATURE PROFILE
SENJU METAL INDUSTRY CO., LTD. : M705-SHF(Sn96.5 Ag3.0 Cu0.5)

Rev.8

ITEMS	SPECIFICATION
APPLICABLE CABLE	MICRO-COAXIAL CABLE: AWG# 40,42,44 DISCRETE WIRE : AWG# 34,36
RATING VOLTAGE	100V AC (PER CONTACT PIN)
RATING AMPERAGE (FOR CONTACT)	0.15A AC/DC [AWG#44] PER CONTACT PIN/UP TO 40 CONTACTS 0.24A AC/DC [AWG#42] PER CONTACT PIN/UP TO 40 CONTACTS 0.30A AC/DC [AWG#40] PER CONTACT PIN/UP TO 32 CONTACTS 0.50A AC/DC [AWG#38] PER CONTACT PIN, FOR POWER/UP TO 14 CONTACTS 0.80A AC/DC [AWG#36] PER CONTACT PIN, FOR POWER/UP TO 5 CONTACTS 1.00A AC/DC [AWG#34] PER CONTACT PIN, FOR POWER/UP TO 4 CONTACTS ※ TESTING BY A REAL MACHINE IS RECOMMENDED BECAUSE TEMPERATURE RISE MAY AFFECTED BY ACTUAL SITUATION
OPERATING TEMPERATURE	233~358K(-40°C~+85°C)
OPERATING HUMIDITY	85% MAX.(NON-CONDENSING)
CONTACT RESISTANCE	INITIAL : 180mohm MAX.(AWG#34) / AFTER TEST : \triangleleft40mohm MAX. 275mohm MAX.(AWG#36) 600mohm MAX.(AWG#40) 700mohm MAX.(AWG#42) 1080mohm MAX.(AWG#44)
GROUND SHELL RESISTANCE	INITIAL : 50mohm MAX. / AFTER TEST : \triangleleft40mohm MAX.
INSULATION RESISTANCE	INITIAL : 1000Mohm MIN. / AFTER TEST : 500Mohm MIN.
DIELECTRIC WITHSTANDING VOLTAGE	AC250V 1min
DURABILITY	30 CYCLES
MATING FORCE (INITIAL / AFTER TEST)	30P : 12.0N MAX. 40P : 16.0N MAX.
UNMATING FORCE (INITIAL / AFTER TEST)	30P : 1.80N MIN. 40P : 2.40N MIN.
CABLE RETENTION FORCE	30P : 11.8N MIN. 40P : 12.4N MIN.
COPLANARITY	0.10 MAX.
PRODUCT SPECIFICATION	PRS-2371
TEST REPORT	TR-17036
PACKING STANDARD	PST-17058
INSTRUCTION MANUAL	HIM-17010
APPEARANCE CRITERIA No.	QLS-A***

Rev.8

Custom Connectors Available

RF Connectors

MHF® series



CABLINE® series

Micro-Coaxial/Twinax Connectors



Wire-to-Board Connectors/Terminals

AP series

ISH® series



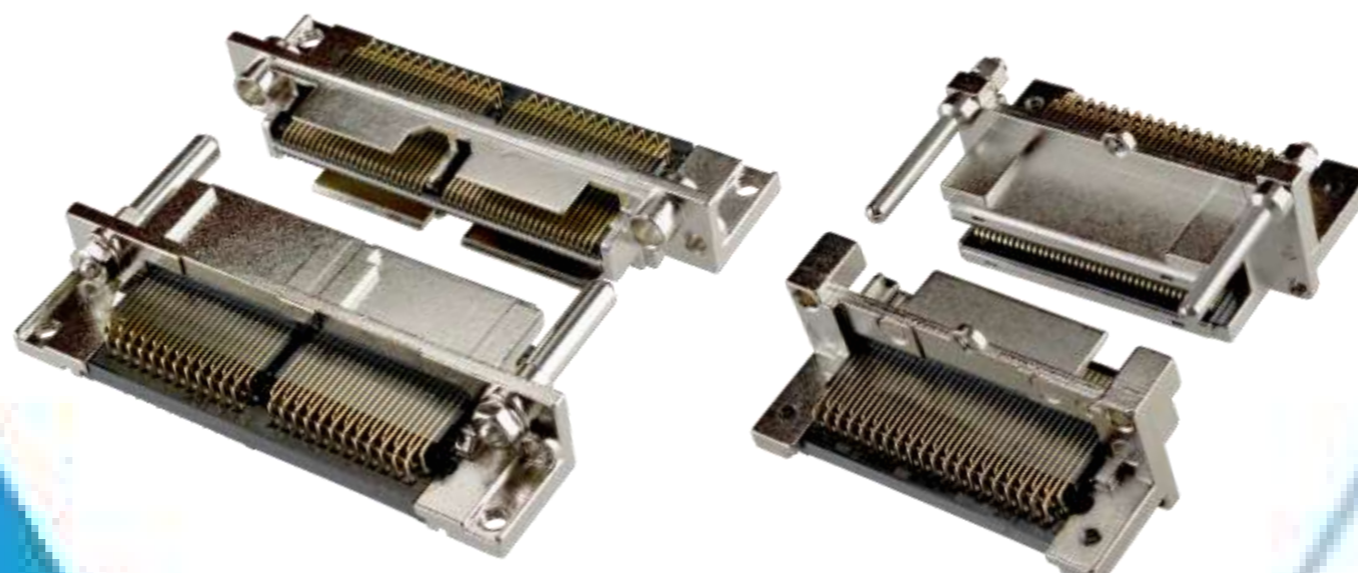
NOVASTACK® series



Board-to-Board Connectors



I/O Connectors



MINIDOCK™ series

MINIFLEX® series EVAFLEX® series



FPC/FFC Connectors



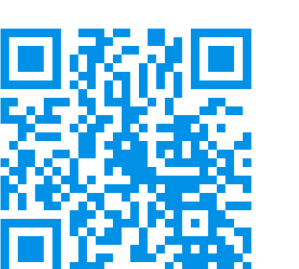
Inquiry



I-PEX, MHF, CABLINE, NOVASTACK, ISH, IARPB, MINIFLEX, EVAFLEX, MINIDOCK and ZenShield are registered trademarks of I-PEX Inc. Please note that the contents in the catalog might be changed without prior notification. I-PEX Inc. assumes no responsibility for any inaccuracies or obligation to update information on these documents. Please be sure to read and understand the latest "Precautions for Use" and "Instruction Manual" before you use our products. We shall not be responsible for any defects, damages or troubles in case you use our products without following the precautions for use. Please feel free to contact our sales representatives when you use our products for applications that require very high reliability and safety, or that relate to human life (ex. nuclear power control, aerospace, transportation, medical equipment, safety equipment etc).

Contact your sales representative for more detailed information.

www.i-pex.com



I-PEX

© I-PEX Inc. 2025
All rights reserved