

# CABLINE®-CAL

저배(높이 = 0.8 mm max.), 고속 전송 대응(32 Gbps/lane), 기계식 Lock 기능 포함, 0.4 mm Pitch, 수평 결합 타입 세션 동축 커넥터

**Product Specifications:**

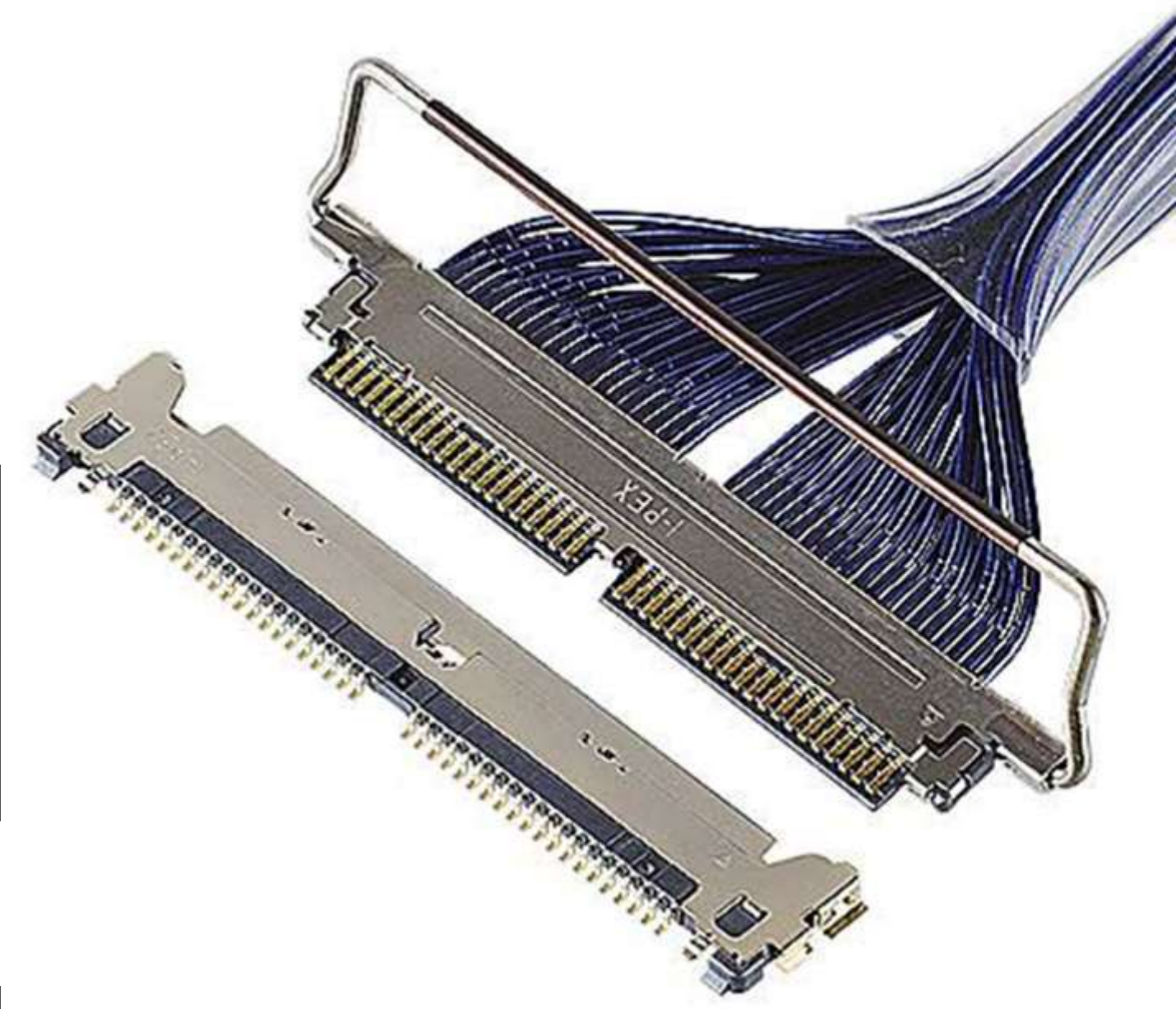
Mating type	Horizontal	
Board Pitch (mm)	0.4	
Wiping Length (mm)	0.4	
Mated size (mm)	Height	0.80 Max
	Width	Formula: 10-20p: 6.85 + (0.4*?p) Formula: 22-40p: 8.05 + (0.4*?p)
	Depth	5.5
Pin Counts	Range	Up to 40
	Available	30, 40

**Applicable Cable Size:**

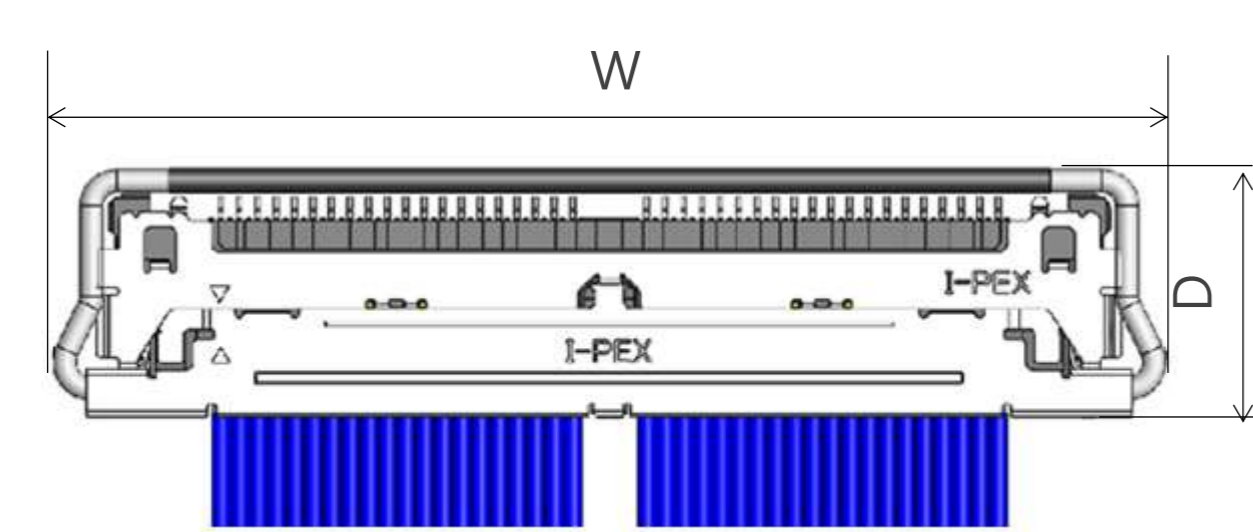
Maximum O.D. (mm)	0.4
Micro-Coaxial for Signal (AWG)	45 ohm: #38 or smaller 50 ohm: #40 or smaller
Twinax (AWG)	-
Discrete (AWG)	#34 or smaller

**Applicable Standards (Reference Only):**

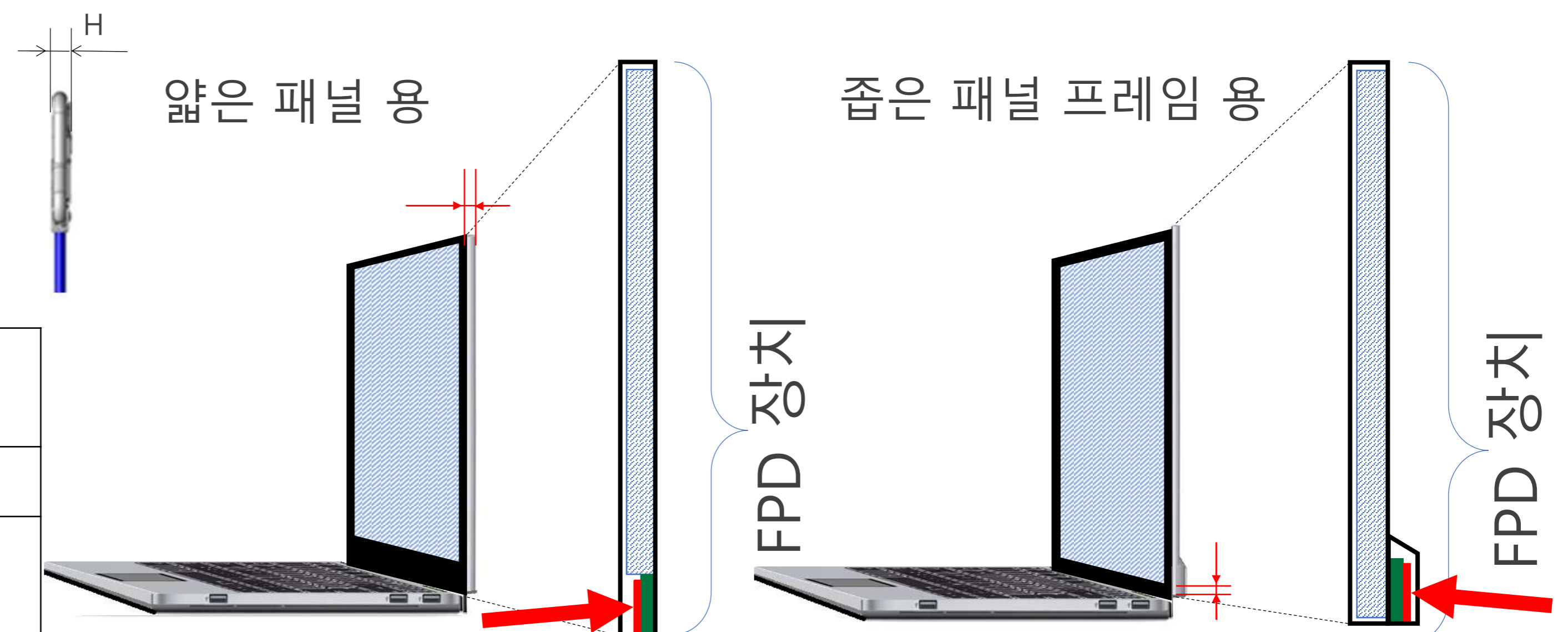
32 Gbps/ Lane, USB4 Gen4 (40 Gbps/ Lane PAM3)  
Display Port UHBR20 (20 Gbps/Lane)



▶ 한정된 커넥터 실장 공간에 대응하는 초박형 설계



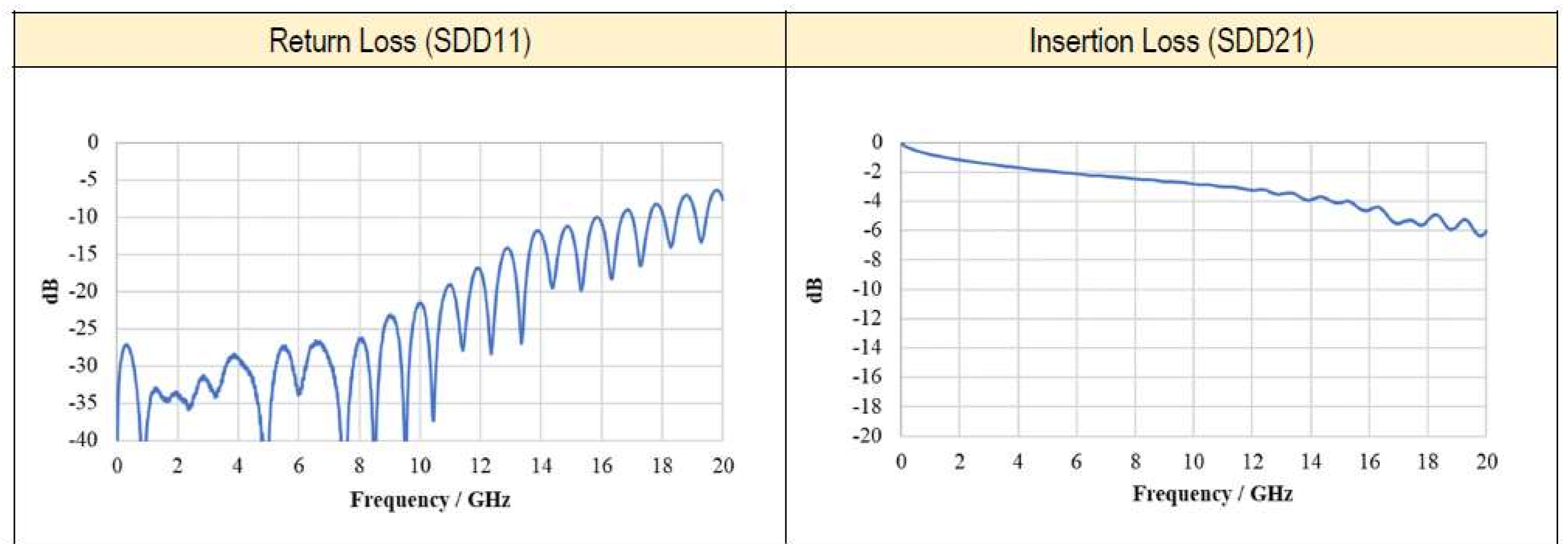
CABLINE®-CAL 40p 체결 세트 치수(mm)		
W	D	H
24.05	5.50	최대 0.80



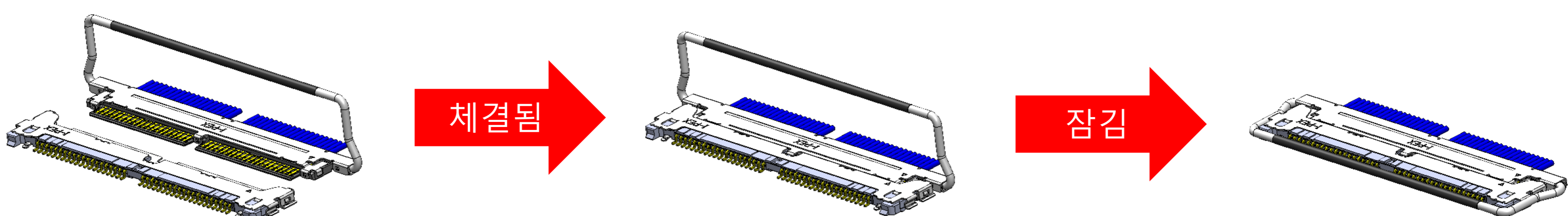
▶ 32Gbps/lane의 고속전송 내부 연결에 최적

**Measurement results**

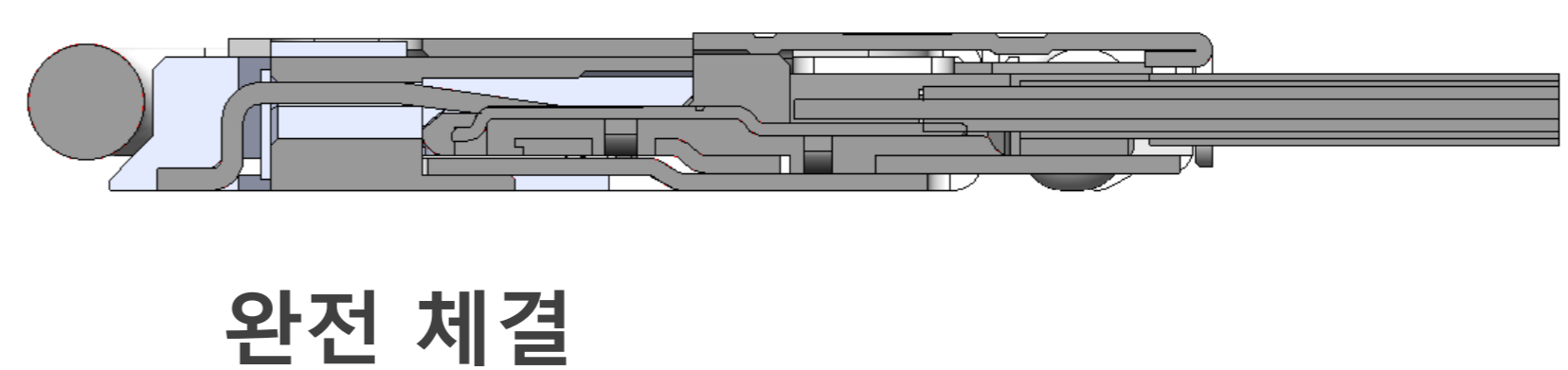
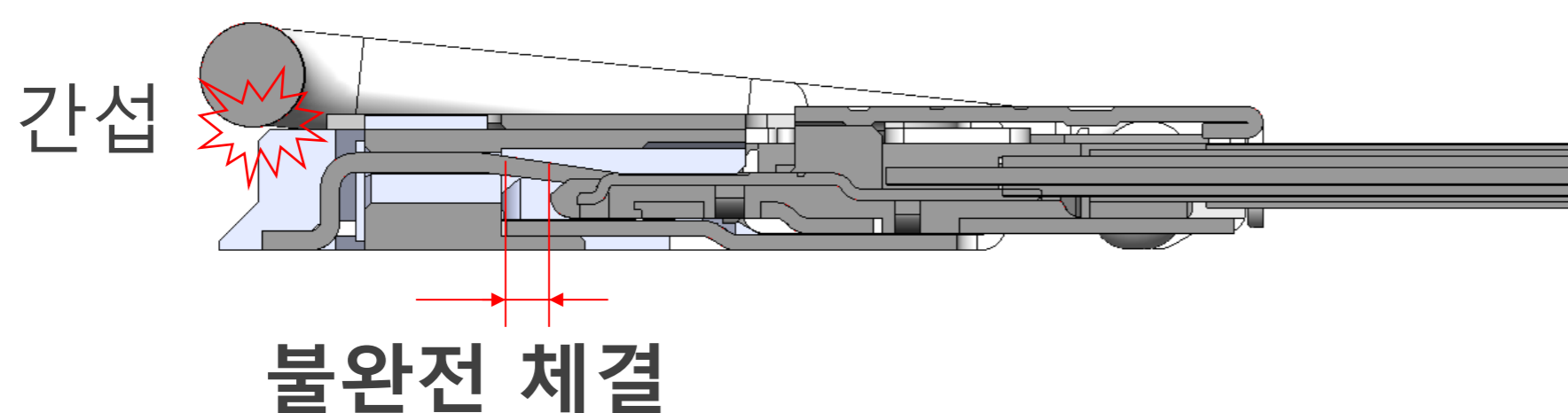
Connector: CABLINE-CAL 30P  
Cable: Micro-coaxial cable  
AWG #40, 45ohm, Length : 100 mm  
Pin Assignment: GSSGSSG



▶ 기계식 Locking bar에 의한 불완전 결합 방지와 Plug 이탈 방지

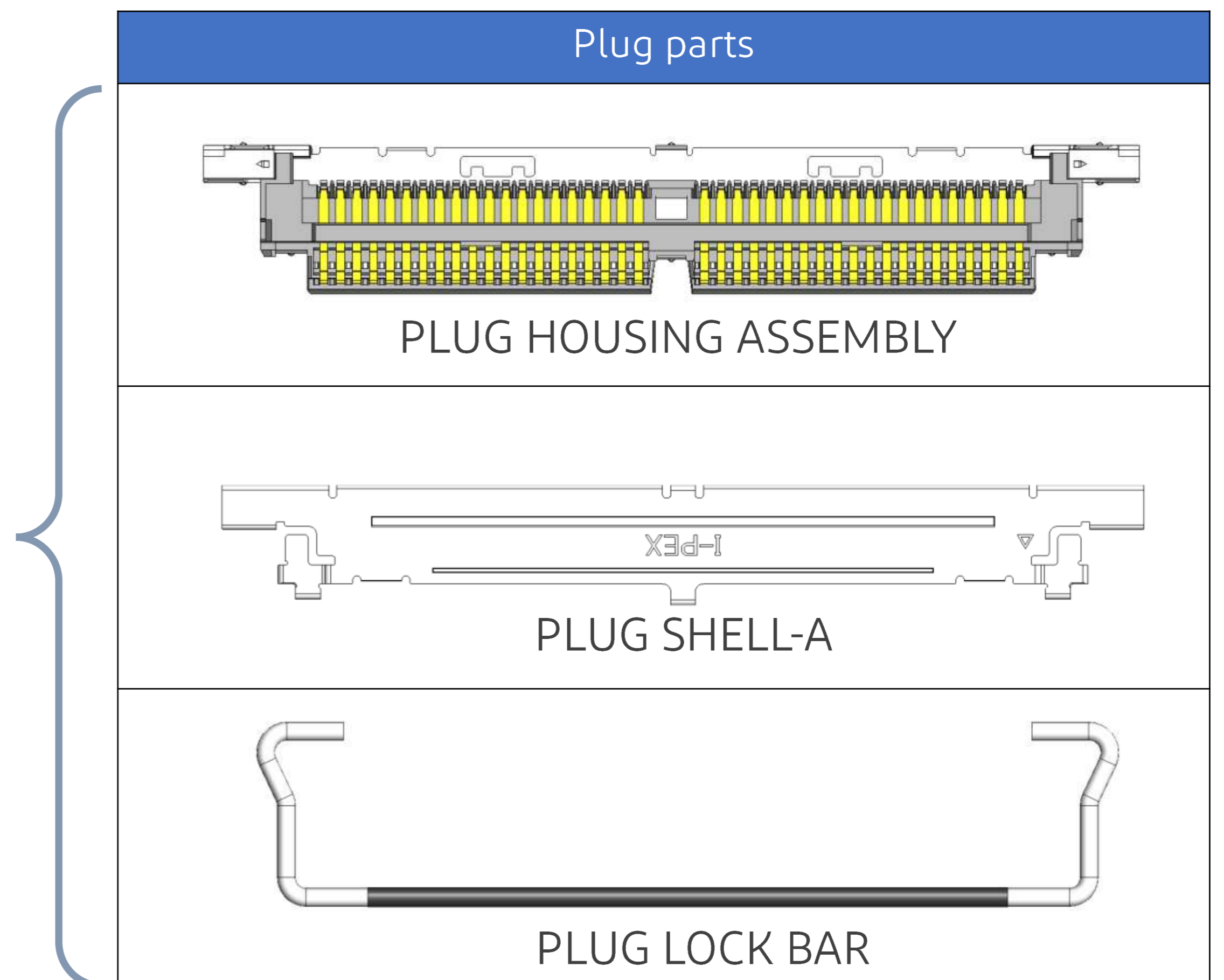
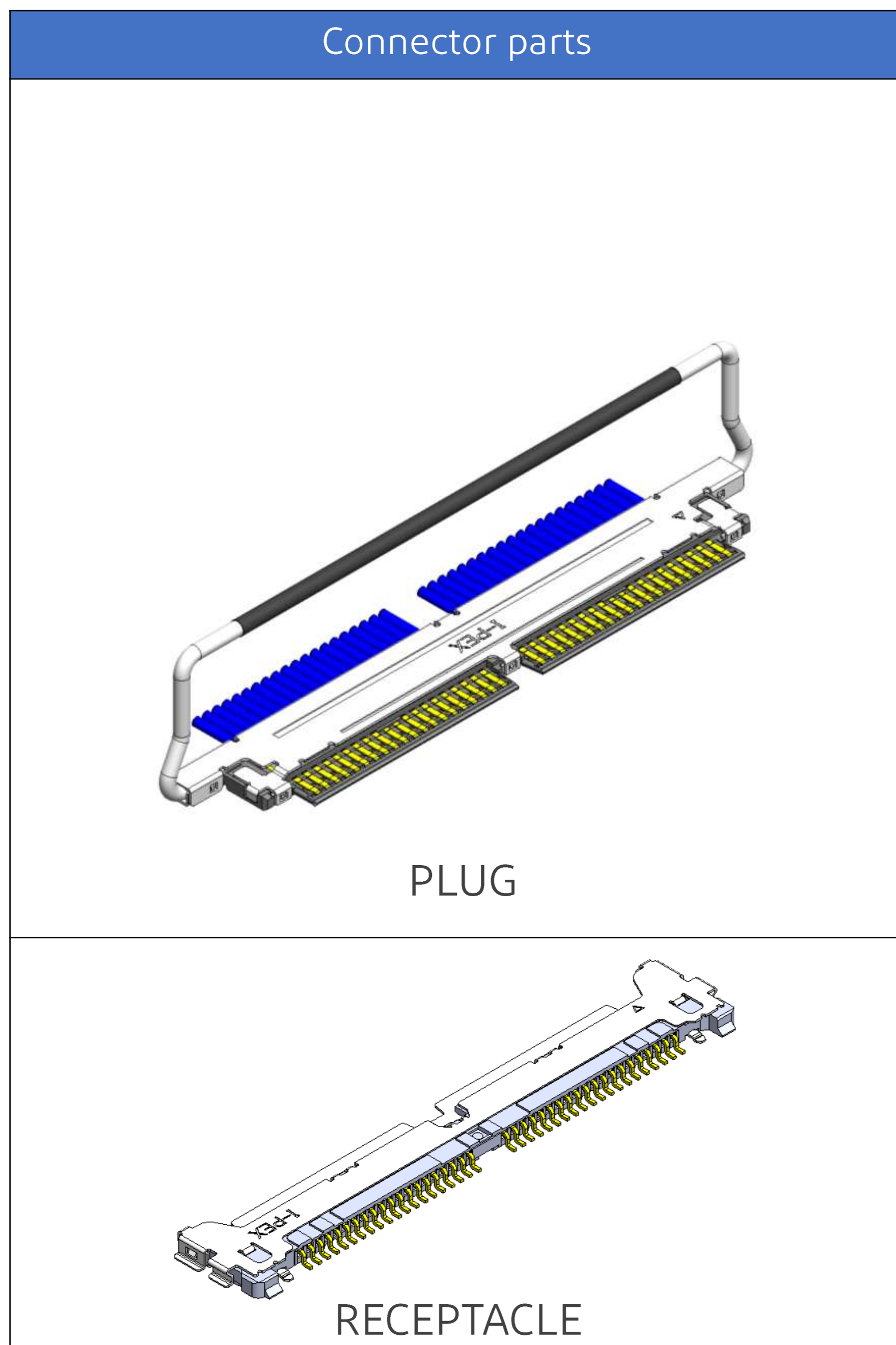


기계식 잠금 바는 플러그가 리셉터클에 완전히 체결된 경우에만 잠글 수 있습니다.



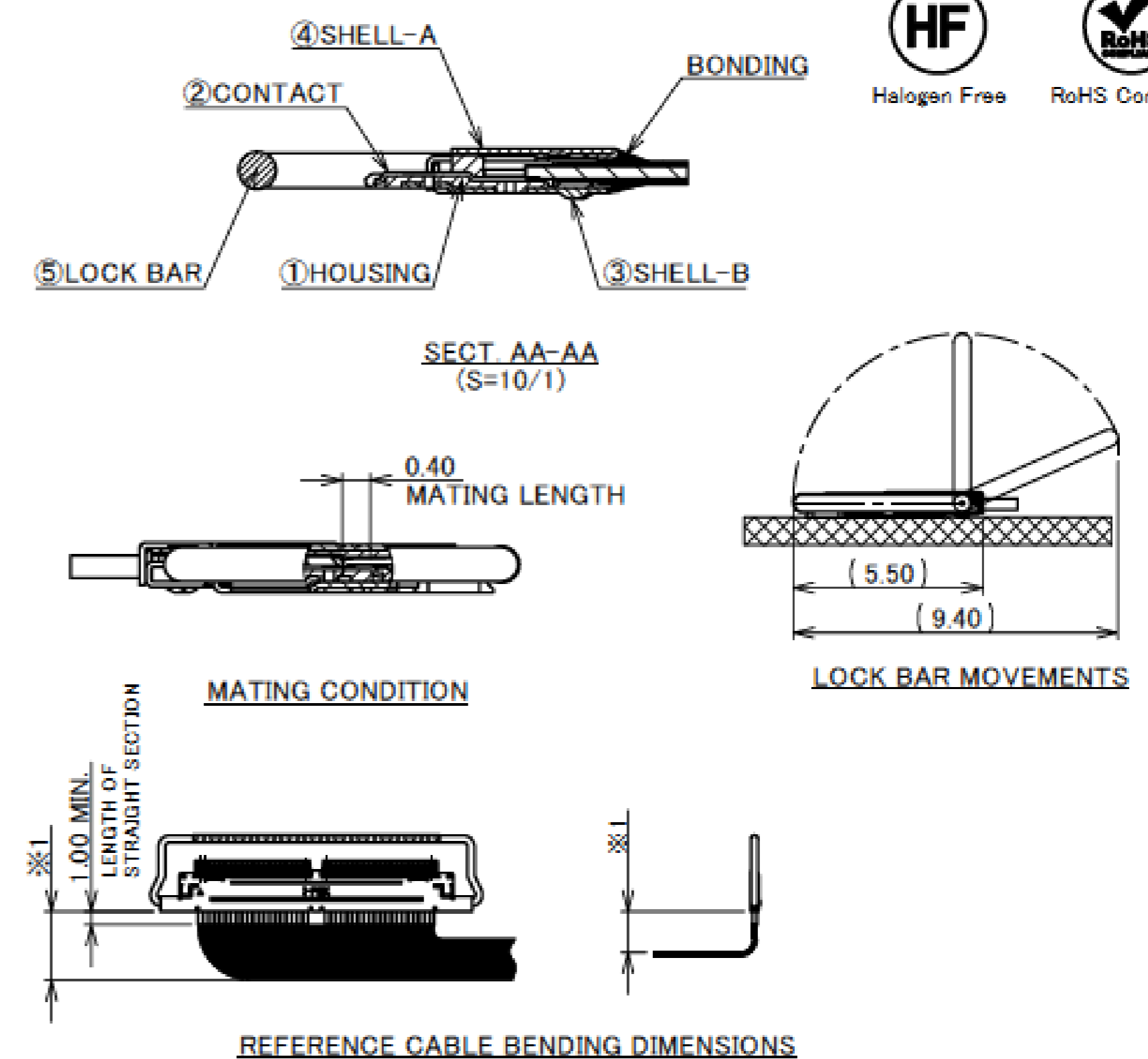
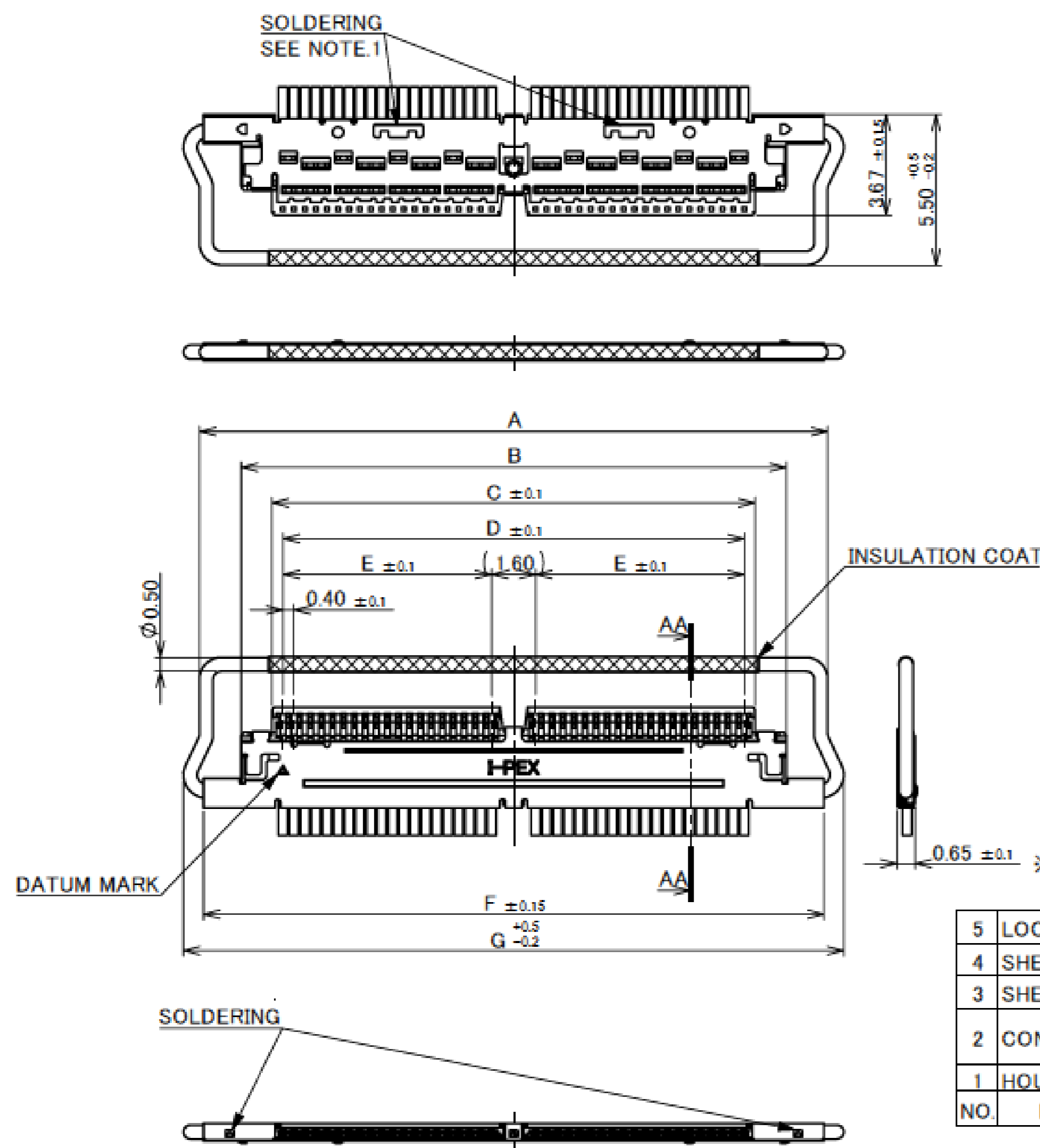
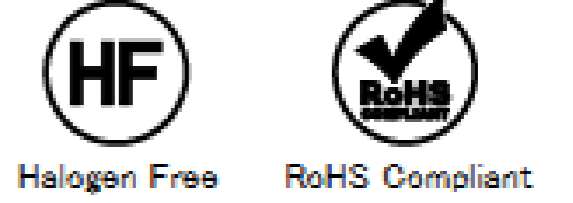
# Component Parts Details

## Component Parts



# Plug for Cable Assembly

Recommended P/N		20728-0**T-01						
PART NO.	Pos.	A	B	C	D	E	F	G
20728-030T-01	30	18.89	15.86	13.60	12.80	5.60	18.60	20.05
20728-040T-01	40	22.89	19.86	17.60	16.80	7.60	22.60	24.05



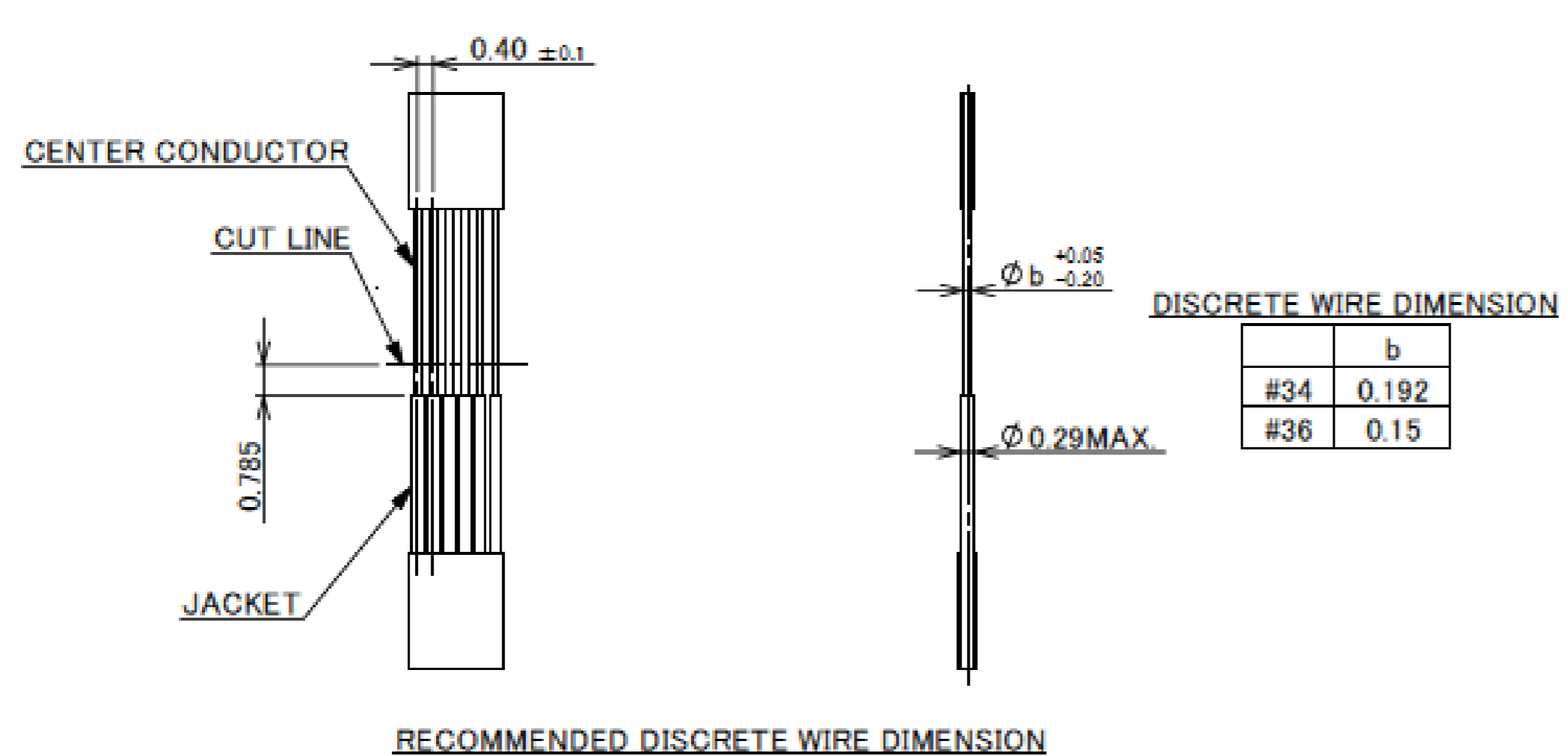
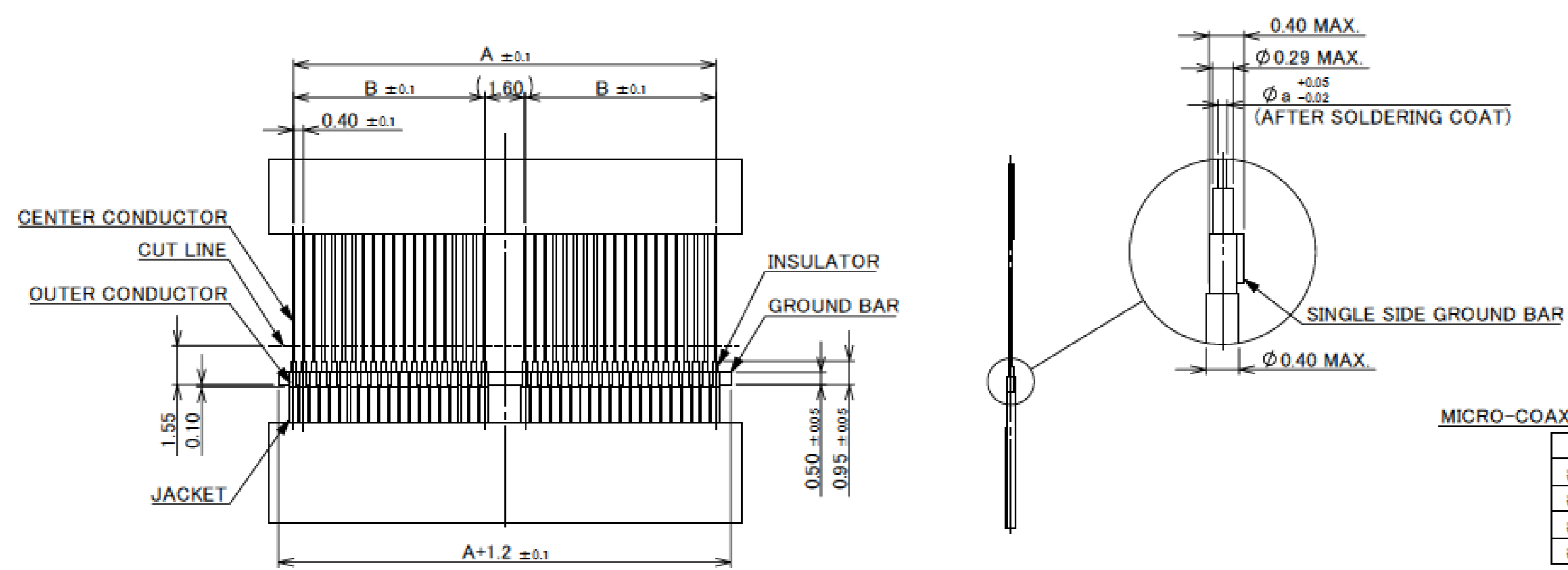
※1: THE BEND DIMENSIONS MAY VARY BASED ON THE SIZE AND QUANTITY OF CABLES. PLEASE CONFIRM THE MINIMUM BENDING RADIUS WITH I-PEX OR THE HARNESS MANUFACTURER.

NO.	DISCRIPTION	MATERIAL	FINISH , REMARKS
5	LOCK BAR	SUS	-
4	SHELL-A	PHOSPHOR BRONZE	PARTIAL Au 0.003 μm MIN. OVER Ni 1.0 μm MIN.
3	SHELL-B	PHOSPHOR BRONZE	PARTIAL Au 0.003 μm MIN. OVER Ni 1.0 μm MIN.
2	CONTACT	PHOSPHOR BRONZE	ALL OVER Ni 1.0 μm MIN. CONTACT & SOLDERING AREA : Au 0.03 μm MIN.
1	HOUSING	LCP	UL94V-0 BLACK RED PHOSPHORUS FREE

NOTES.  
1. SOLDERING IS ONLY A CASE WITH GND-BAR

Rev.7

PART NO.	Pos.	A	B
20728-030T-0#	30	12.80	5.60
20728-040T-0#	40	16.80	7.60



Rev.7

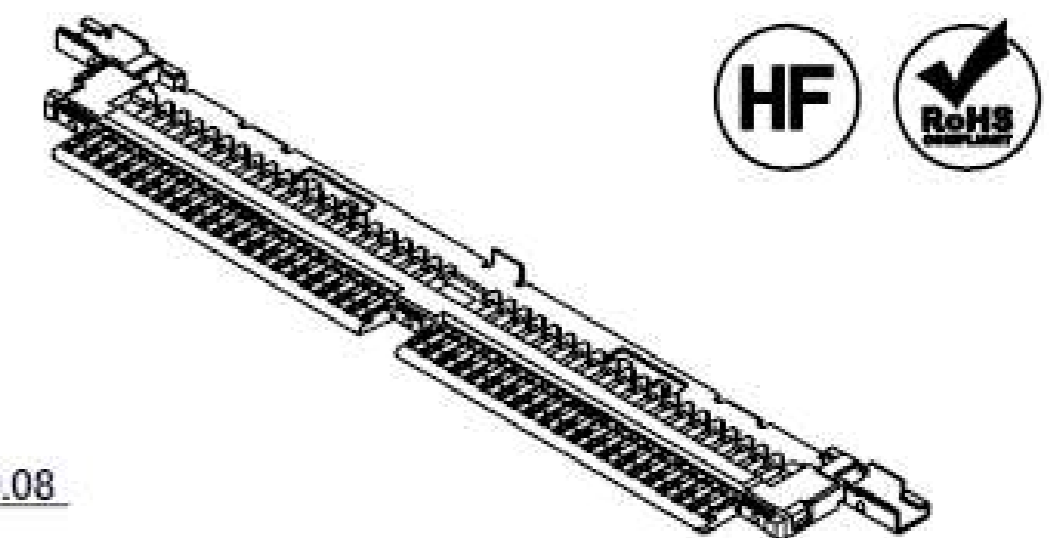
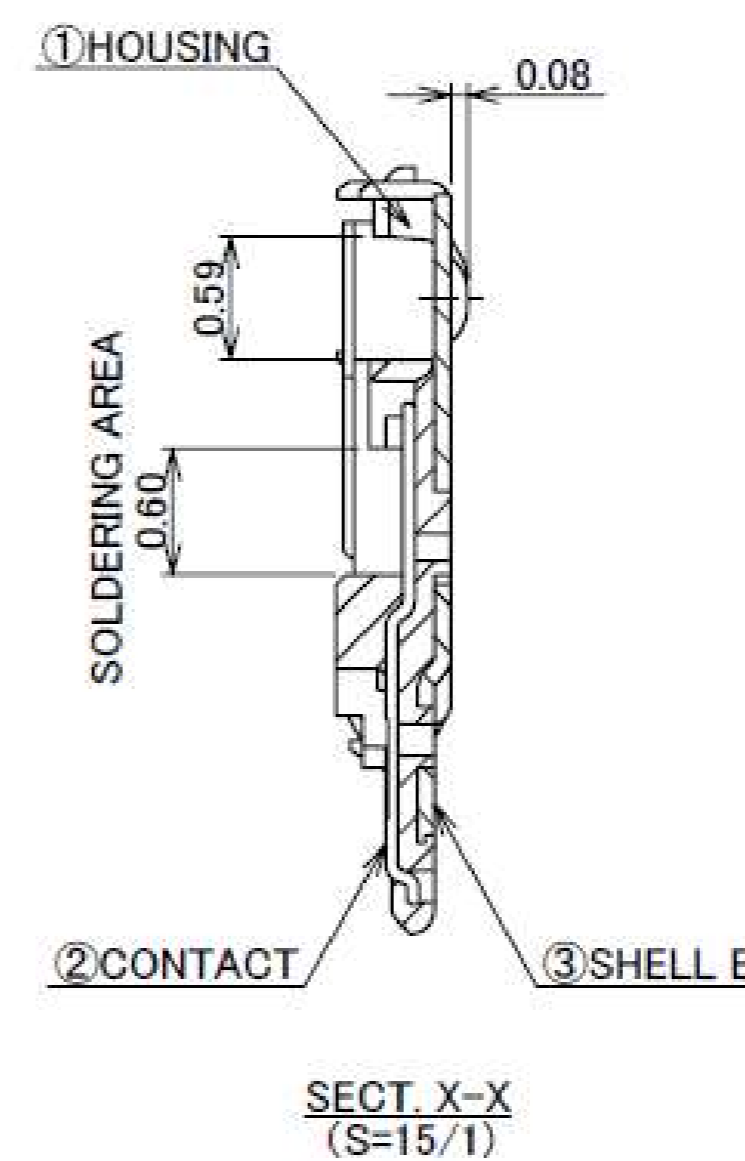
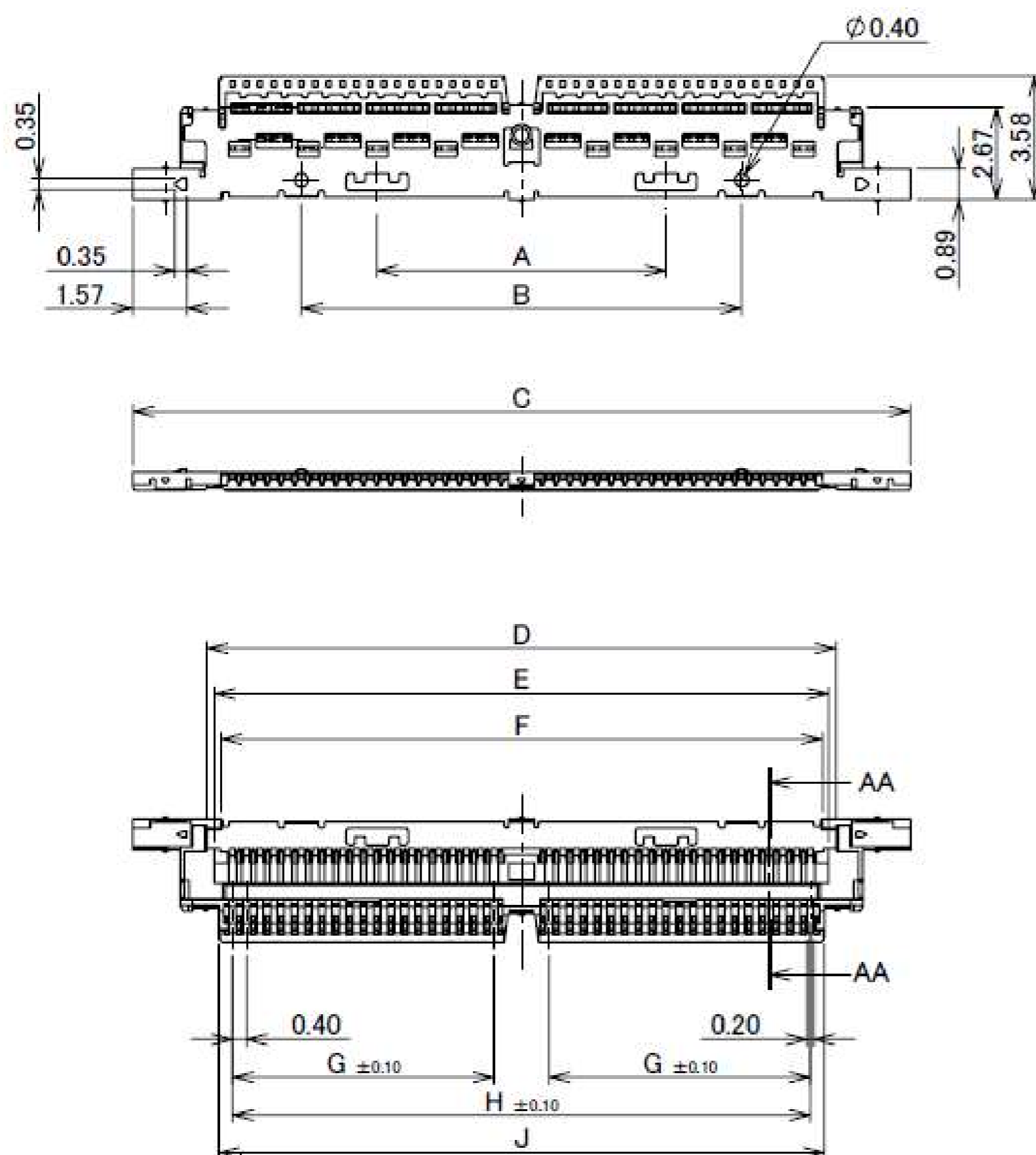
# Plug for Cable Assembly

ITEMS	SPECIFICATION
APPLICABLE CABLE	MICRO-COAXIAL CABLE : AWG# 38,40,42,44 DISCRETE WIRE : AWG# 34,36
RATING VOLTAGE	100V AC (PER CONTACT PIN) ※THIS IS THE RATED VOLTAGE OF THE CONNECTOR. PLEASE NOTE THAT THE RATED VOLTAGE MAY VARY IN THE HARNESS DEPENDING ON THE CABLES USED.
RATING AMPERAGE (FOR CONTACT)	0.15A AC/DC [AWG#44] PER CONTACT PIN/UP TO 40 CONTACTS 0.24A AC/DC [AWG#42] PER CONTACT PIN/UP TO 40 CONTACTS 0.30A AC/DC [AWG#40] PER CONTACT PIN/UP TO 32 CONTACTS 0.50A AC/DC [AWG#38] PER CONTACT PIN, FOR POWER/UP TO 14 CONTACTS 0.80A AC/DC [AWG#36] PER CONTACT PIN, FOR POWER/UP TO 5 CONTACTS 1.00A AC/DC [AWG#34] PER CONTACT PIN, FOR POWER/UP TO 4 CONTACTS  ※ TESTING BY A REAL MACHINE IS RECOMMENDED BECAUSE TEMPERATURE RISE MAY AFFECTED BY ACTUAL SITUATION
OPERATING TEMPERATURE	233~358K(-40°C~+85°C)
OPERATING HUMIDITY	85% MAX.(NON-CONDENSING)
CONTACT RESISTANCE	INITIAL : 180mohm MAX.(AWG#34) / AFTER TEST : $\triangle$ 40mohm MAX. 275mohm MAX.(AWG#36) 360mohm MAX.(AWG#38) 600mohm MAX.(AWG#40) 700mohm MAX.(AWG#42) 1080mohm MAX.(AWG#44)
GROUND SHELL RESISTANCE	INITIAL : 50mohm MAX. / AFTER TEST : $\triangle$ 40mohm MAX.
INSULATION RESISTANCE	INITIAL : 1000Mohm MIN. / AFTER TEST : 500Mohm MIN.
DIELECTRIC WITHSTANDING VOLTAGE	AC250V 1min
DURABILITY	30 CYCLES
MATING FORCE (INITIAL / AFTER TEST)	30P : 12.0N MAX. 40P : 16.0N MAX.
UNMATING FORCE (INITIAL / AFTER TEST)	30P : 1.80N MIN. 40P : 2.40N MIN.
CABLE RETENTION FORCE	30P : 11.8N MIN. 40P : 12.4N MIN.
PRODUCT SPECIFICATION	PRS-2371
TEST REPORT	TR-17036
INSTRUCTION MANUAL	HIM-17010
ASSEMBLY MANUAL	ASM-17003
APPEARANCE CRITERIA No.	QLS-A***

Rev.7

# Plug Housing Assembly

Recommended P/N		20777-0**T-01									
PART No.	Pos.	A	B	C	D	E	F	G	H	J	
20777-030T-01	30	4.40	8.80	18.60	14.30	13.85	13.50	5.60	12.80	13.60	
20777-040T-01	40	8.40	12.80	22.60	18.30	17.85	17.50	7.60	16.80	17.60	



**NOTES.**

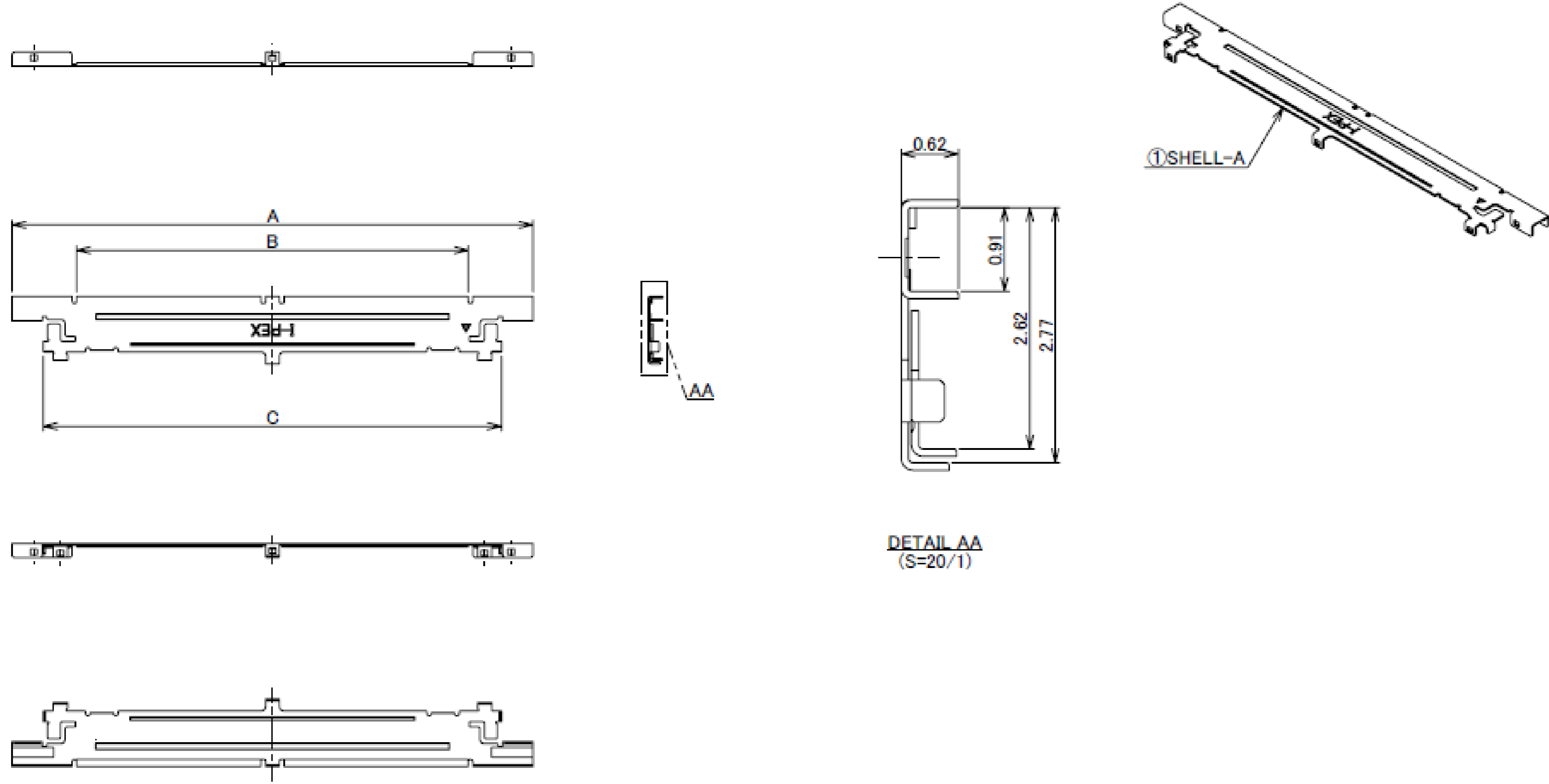
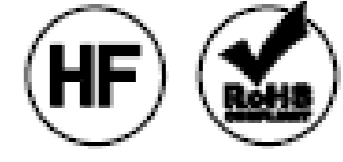
1. THIS PART IS ASSEMBLED WITH P/N: 3298-0\*\*1 AND 3300-\*\*1 AFTER SOLDERING CABLES AND SHALL BE ASSIGNED AS P/N: 20728-0\*\*T-01.

NO.	DISCRIPTION	MATERIAL	FINISH , REMARKS
3	SHELL-B	PHOSPHOR BRONZE	PARTIAL Au 0.003 $\mu$ m MIN. OVER 1.00 $\mu$ m MIN.
2	CONTACT	PHOSPHOR BRONZE	ALL OVER Ni 1.00 $\mu$ m MIN. CONTACT & SOLDERING AREA : Au 0.03 $\mu$ m MIN.
1	HOUSING	LCP	UL94-0, BLACK, RED PHOSPHORUS FREE

Rev.4

# Plug Shell-A

Recommended P/N		3298-0**1		
PART No.	Pos.	A	B	C
3298-0301	30	18.60	12.98	15.86
3298-0401	40	22.60	16.98	19.86

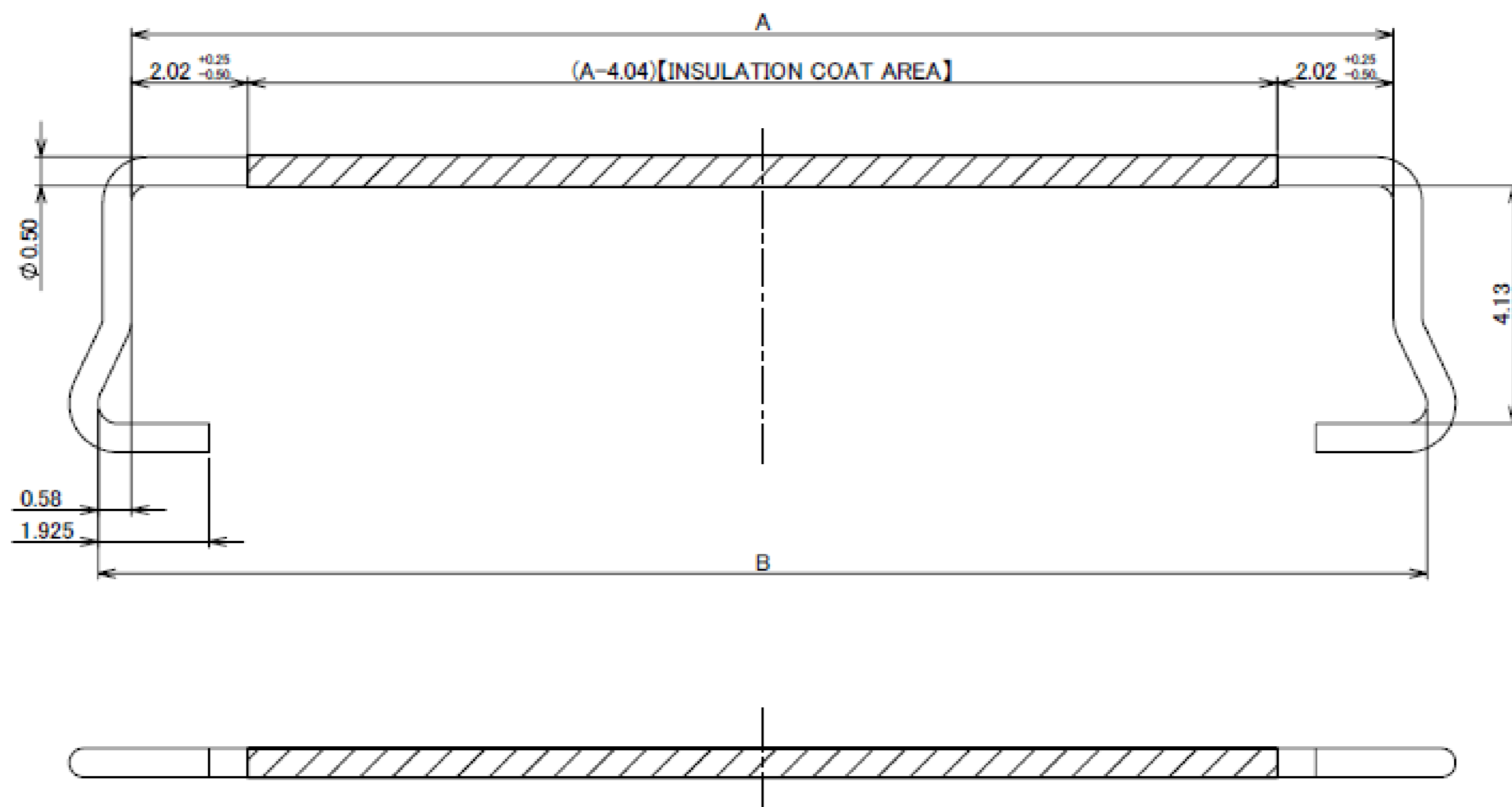
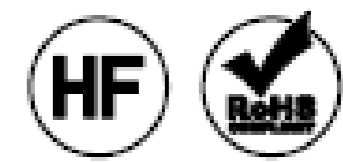


NO.	DISCRIPTION	MATERIAL	FINISH , REMARKS
1	SHELL-A	PHOSPHOR BRONZE	PARTIAL Au 0.003 μm MIN. OVER Ni 1.0 μm MIN.

Rev.3

# Plug Lock Bar

Recommended P/N		3300-0**1	
PART No.	Pos.	A	B
3300-0301	30	17.89	19.05
3300-0401	40	21.89	23.05

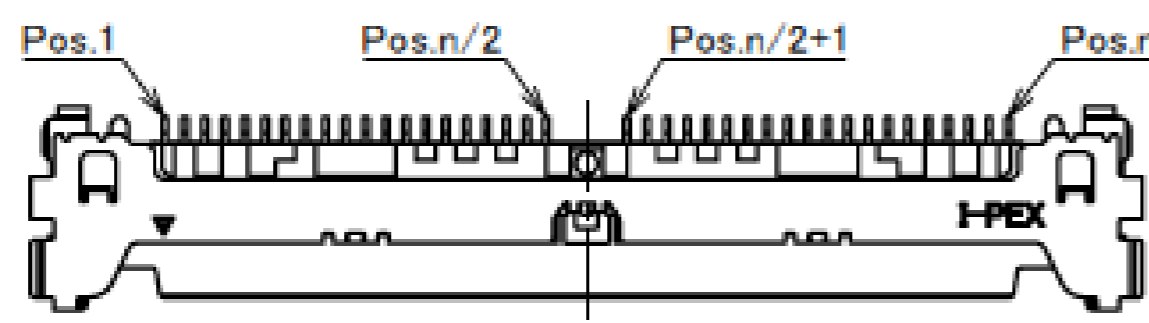
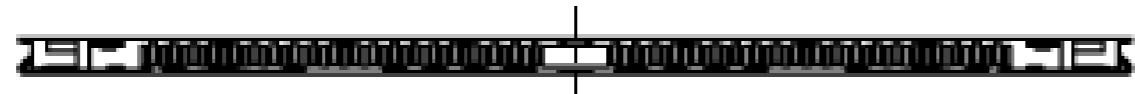
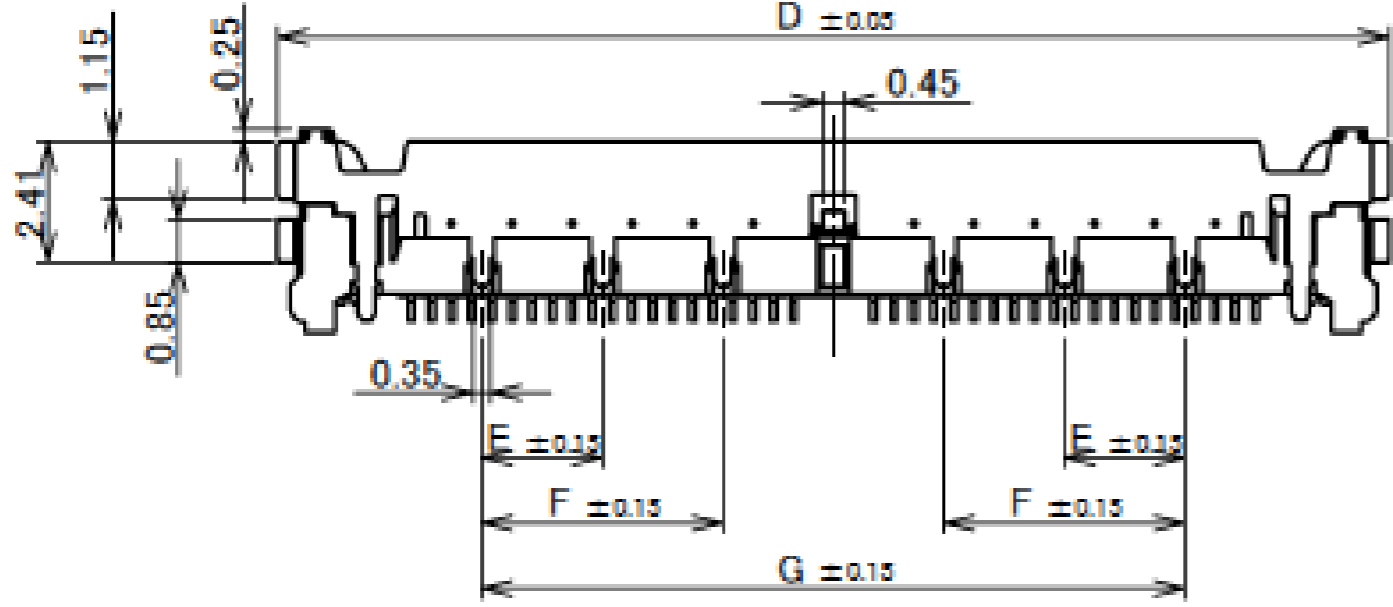
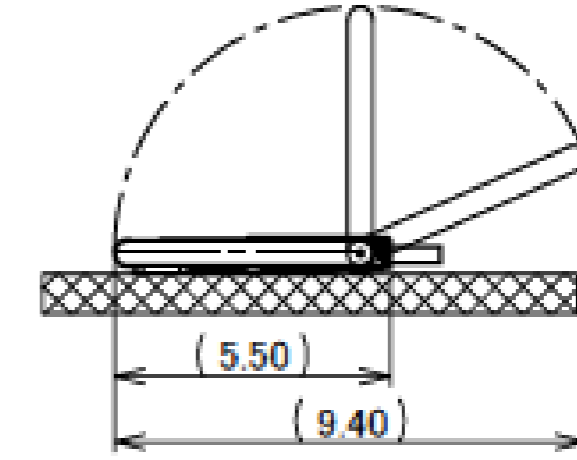
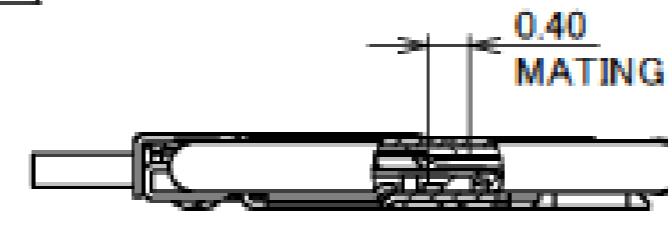
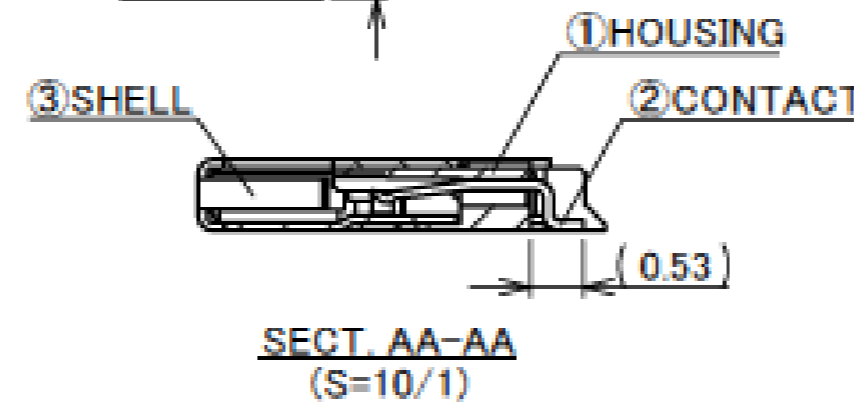
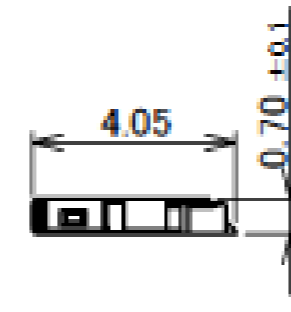
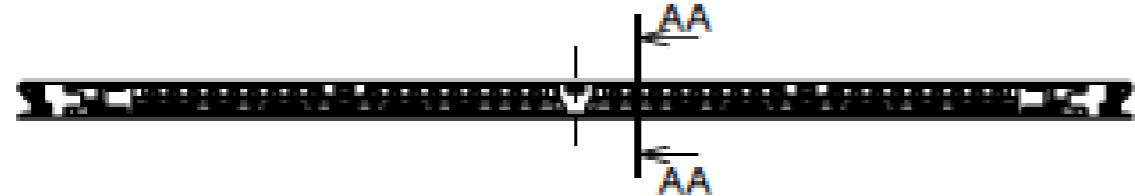
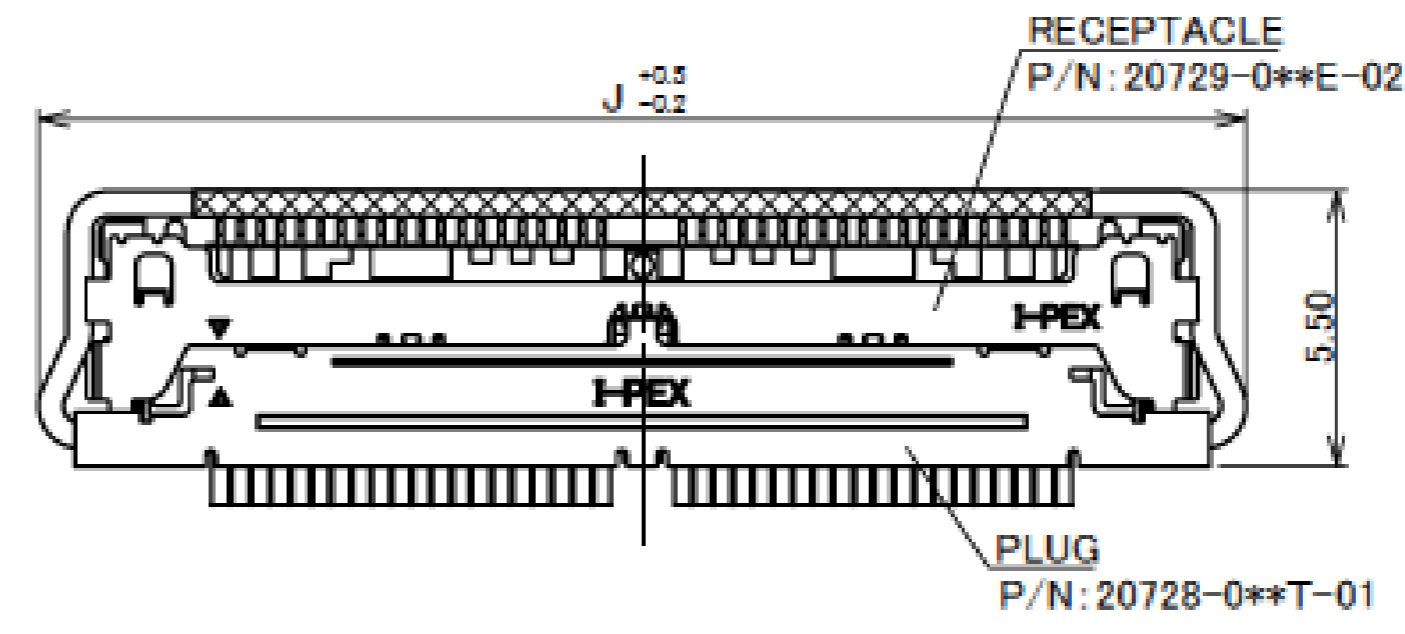
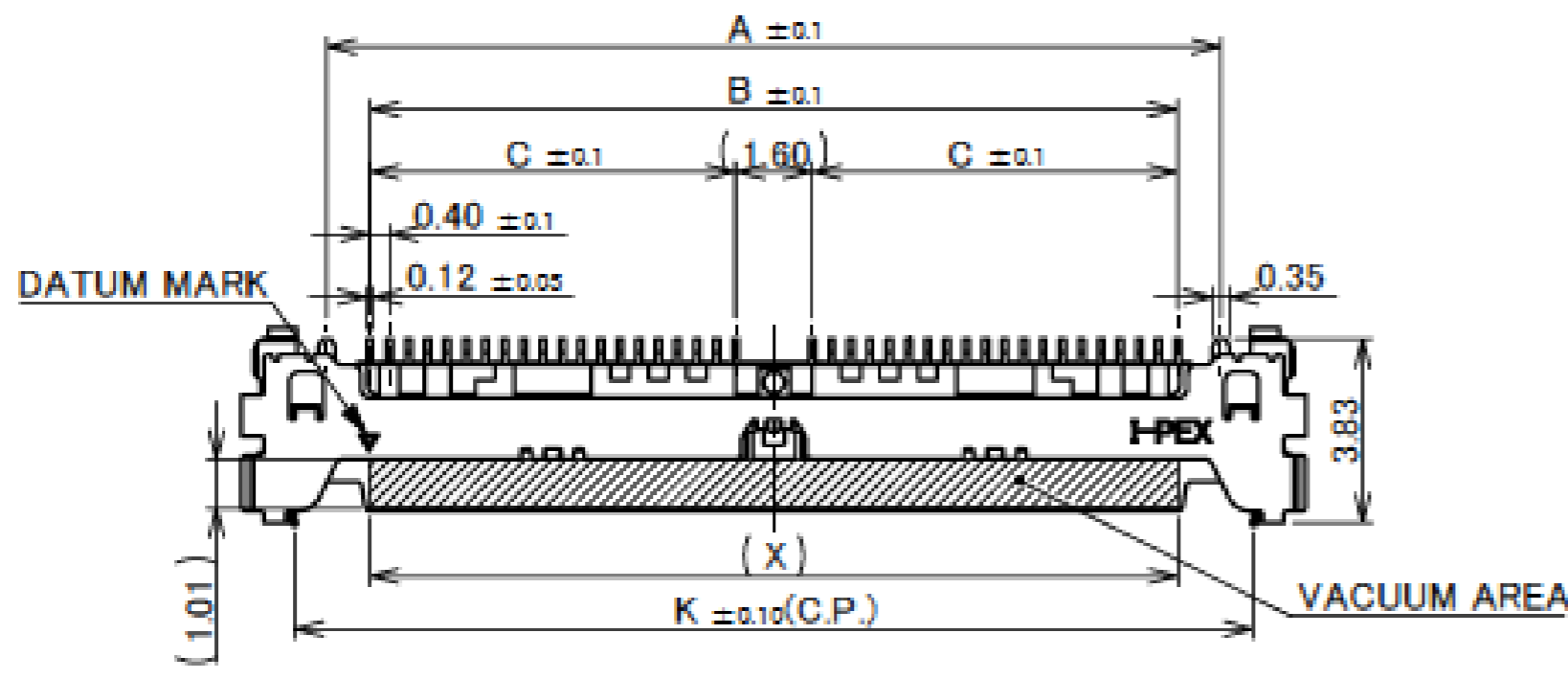
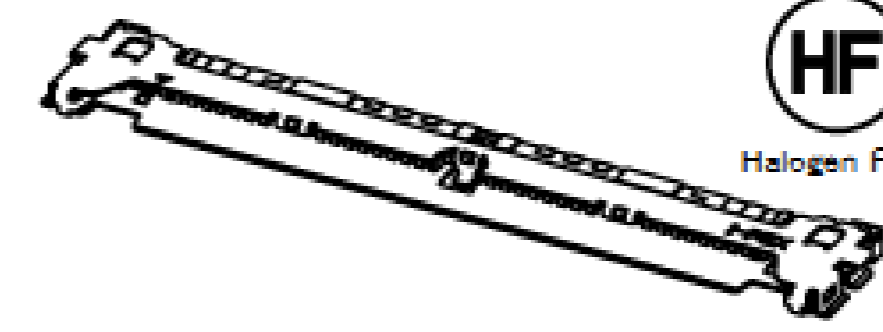


NO.	DISCRIPTION	MATERIAL	FINISH , REMARKS
1	LOCK BAR	SUS	--

Rev.3

# Receptacle Assembly

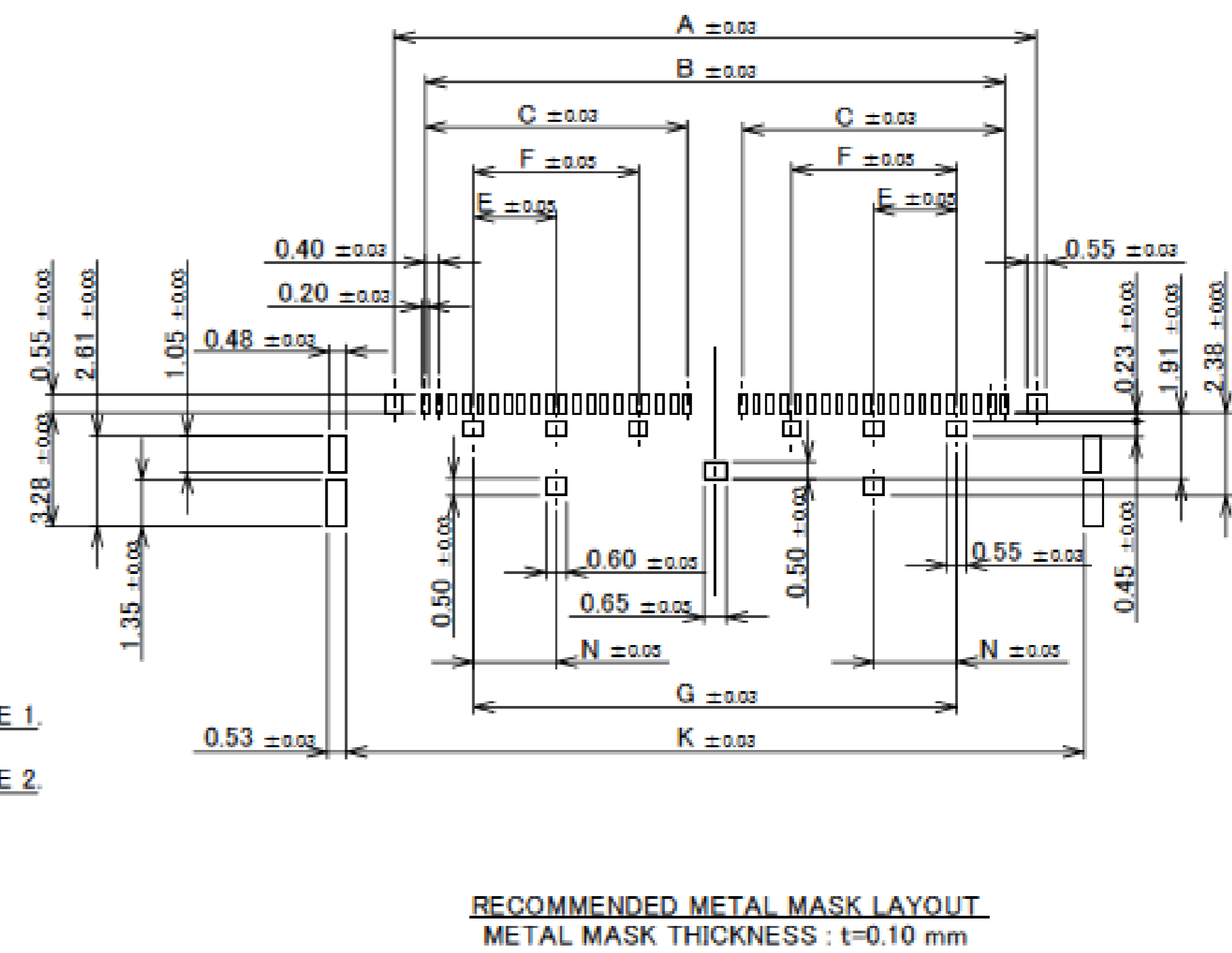
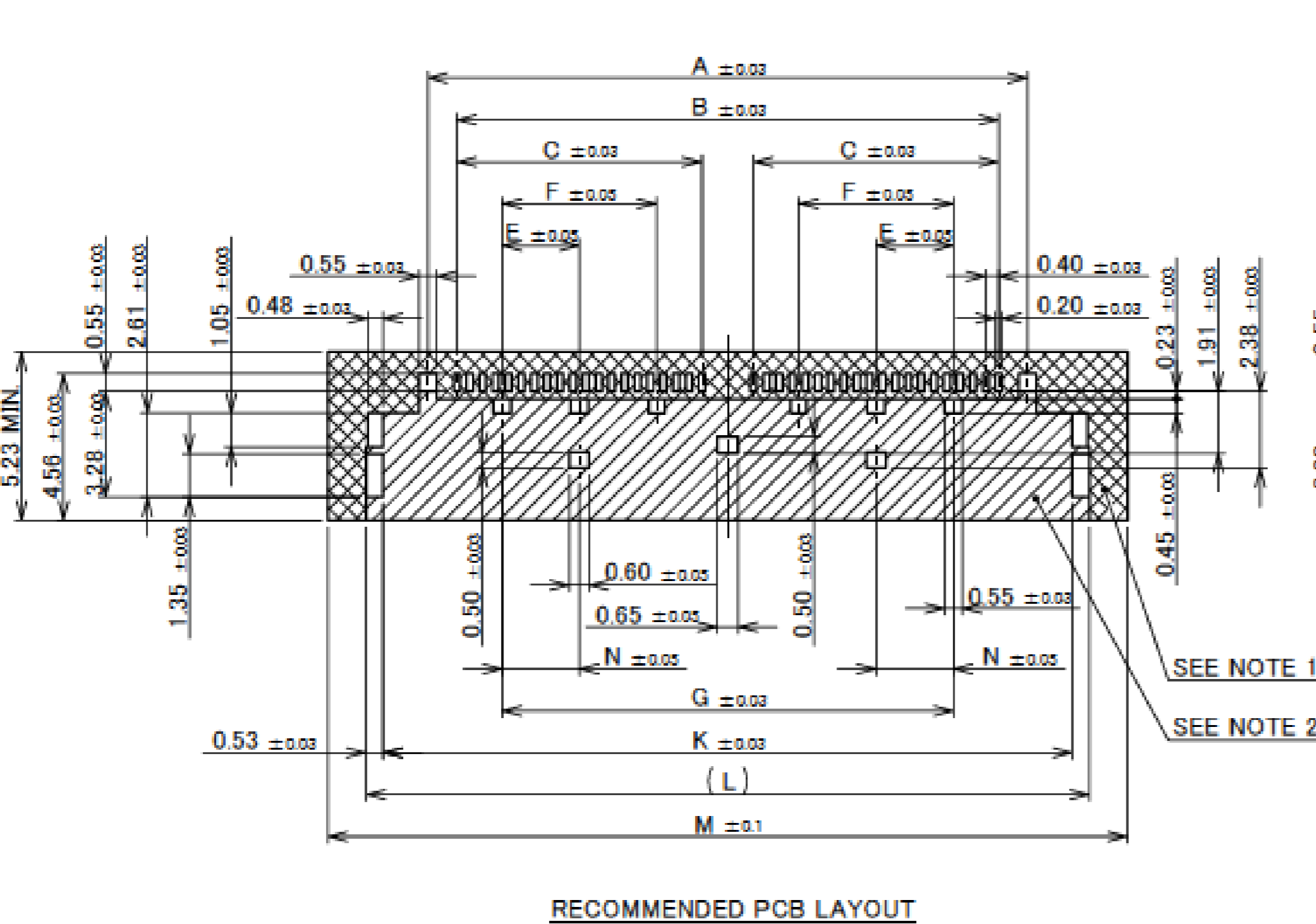
Recommended P/N		20729-0**E-02									
PART NO.	Pos.	A	B	C	D	E	F	G	H	K	X
20729-030E-02	30	14.60	12.80	5.60	18.14	-	2.80	10.00	20.05	15.95	12.81
20729-040E-02	40	18.60	16.80	7.60	22.14	2.40	4.80	14.00	24.05	19.95	16.81



NO.	DISCRIPTION	MATERIAL	FINISH , REMARKS
3	SHELL	PHOSPHOR BRONZE	ALL OVER Ni 1.00 μm MIN. SOLDERING AREA : Au 0.02 μm MIN.
2	CONTACT	PHOSPHOR BRONZE	ALL OVER Ni 1.00 μm MIN. CONTACT & SOLDERING AREA : Au 0.03 μm MIN.
1	HOUSING	LCP	UL94V-0. BLACK. RED PHOSPHORUS FREE

Rev.8

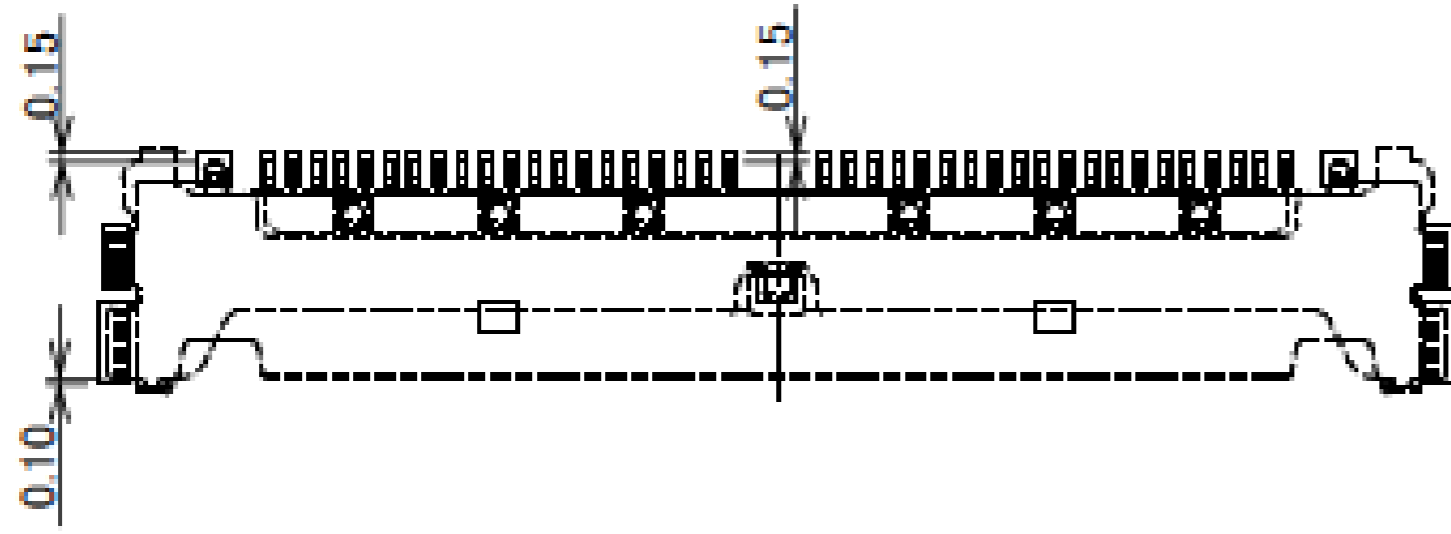
PART NO.	Pos.	A	B	C	E	F	G	K	L	M	N
20729-030E-02	30	14.60	12.80	5.60	-	2.80	10.00	17.38	18.44	20.80	1.40
20729-040E-02	40	18.60	16.80	7.60	2.40	4.80	14.00	21.38	22.44	24.80	2.40



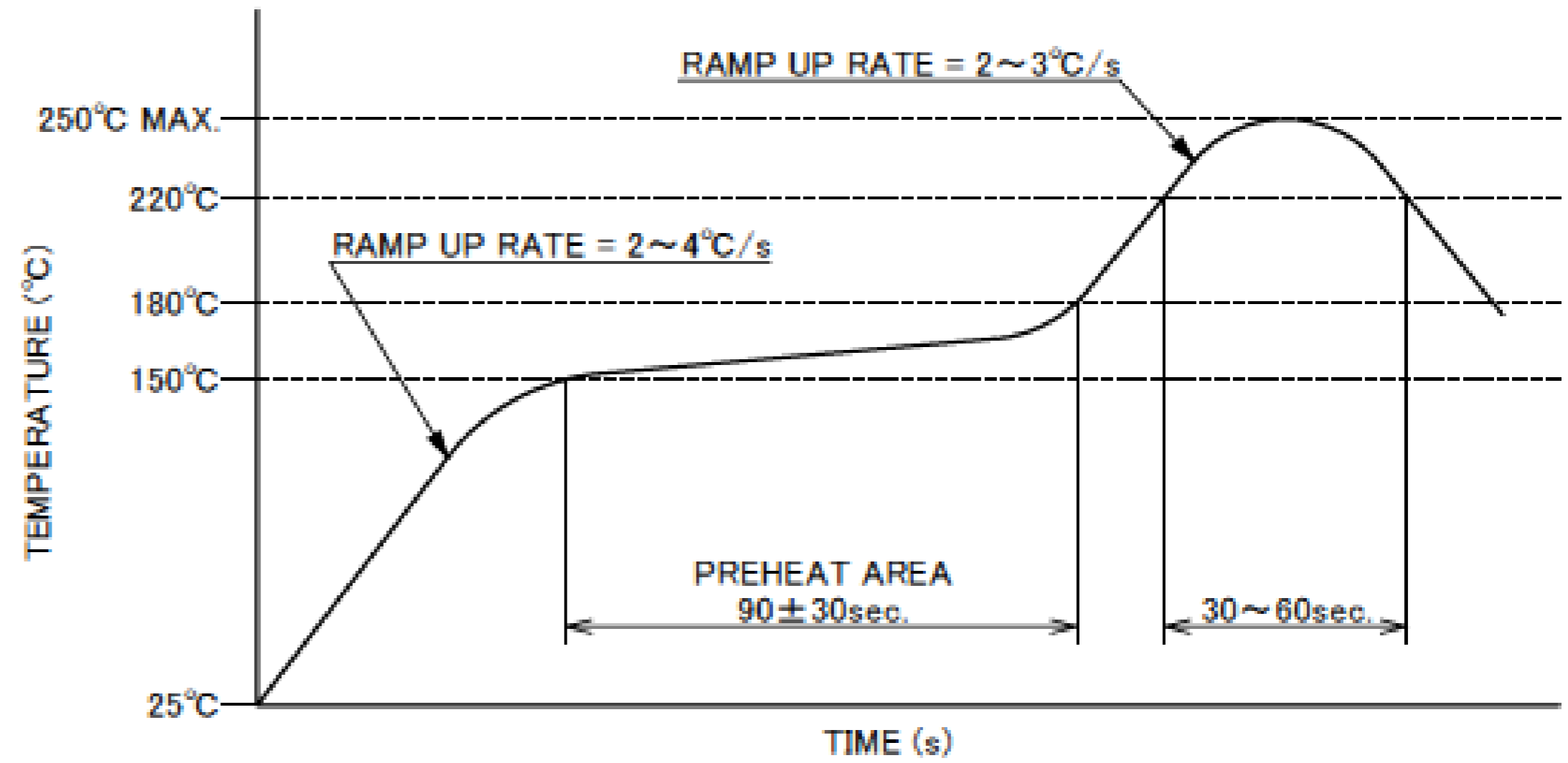
NOTES.  
1. DO NOT MOUNT ANOTHER COMPONENTS IN THIS AREA.  
2. SOLDER RESIST MUST BE APPLIED TO THIS AREA.

Rev.8

# Receptacle Assembly



CONNECTOR ON RECOMMENDED FOOTPRINT PATTERN



REFLOW TEMPERATURE PROFILE  
SENJU METAL INDUSTRY CO., LTD. : M705-SHF(Sn96.5 Ag3.0 Cu0.5)

Rev.8

ITEMS	SPECIFICATION
APPLICABLE CABLE	MICRO-COAXIAL CABLE: AWG# 40,42,44 DISCRETE WIRE : AWG# 34,36
RATING VOLTAGE	100V AC (PER CONTACT PIN)
RATING AMPERAGE (FOR CONTACT)	0.15A AC/DC [AWG#44] PER CONTACT PIN/UP TO 40 CONTACTS 0.24A AC/DC [AWG#42] PER CONTACT PIN/UP TO 40 CONTACTS 0.30A AC/DC [AWG#40] PER CONTACT PIN/UP TO 32 CONTACTS 0.50A AC/DC [AWG#38] PER CONTACT PIN, FOR POWER/UP TO 14 CONTACTS 0.80A AC/DC [AWG#36] PER CONTACT PIN, FOR POWER/UP TO 5 CONTACTS 1.00A AC/DC [AWG#34] PER CONTACT PIN, FOR POWER/UP TO 4 CONTACTS  ※ TESTING BY A REAL MACHINE IS RECOMMENDED BECAUSE TEMPERATURE RISE MAY AFFECTED BY ACTUAL SITUATION
OPERATING TEMPERATURE	233~358K(-40°C~+85°C)
OPERATING HUMIDITY	85% MAX.(NON-CONDENSING)
CONTACT RESISTANCE	INITIAL : 180mohm MAX.(AWG#34) / AFTER TEST : <math>\triangleleft</math>40mohm MAX. 275mohm MAX.(AWG#36) 600mohm MAX.(AWG#40) 700mohm MAX.(AWG#42) 1080mohm MAX.(AWG#44)
GROUND SHELL RESISTANCE	INITIAL : 50mohm MAX. / AFTER TEST : <math>\triangleleft</math>40mohm MAX.
INSULATION RESISTANCE	INITIAL : 1000Mohm MIN. / AFTER TEST : 500Mohm MIN.
DIELECTRIC WITHSTANDING VOLTAGE	AC250V 1min
DURABILITY	30 CYCLES
MATING FORCE (INITIAL / AFTER TEST)	30P : 12.0N MAX. 40P : 16.0N MAX.
UNMATING FORCE (INITIAL / AFTER TEST)	30P : 1.80N MIN. 40P : 2.40N MIN.
CABLE RETENTION FORCE	30P : 11.8N MIN. 40P : 12.4N MIN.
COPLANARITY	0.10 MAX.
PRODUCT SPECIFICATION	PRS-2371
TEST REPORT	TR-17036
PACKING STANDARD	PST-17058
INSTRUCTION MANUAL	HIM-17010
APPEARANCE CRITERIA No.	QLS-A***

Rev.8

# Custom Connectors Available

## RF Connectors

MHF® series



## Micro-Coaxial/Twinax Connectors

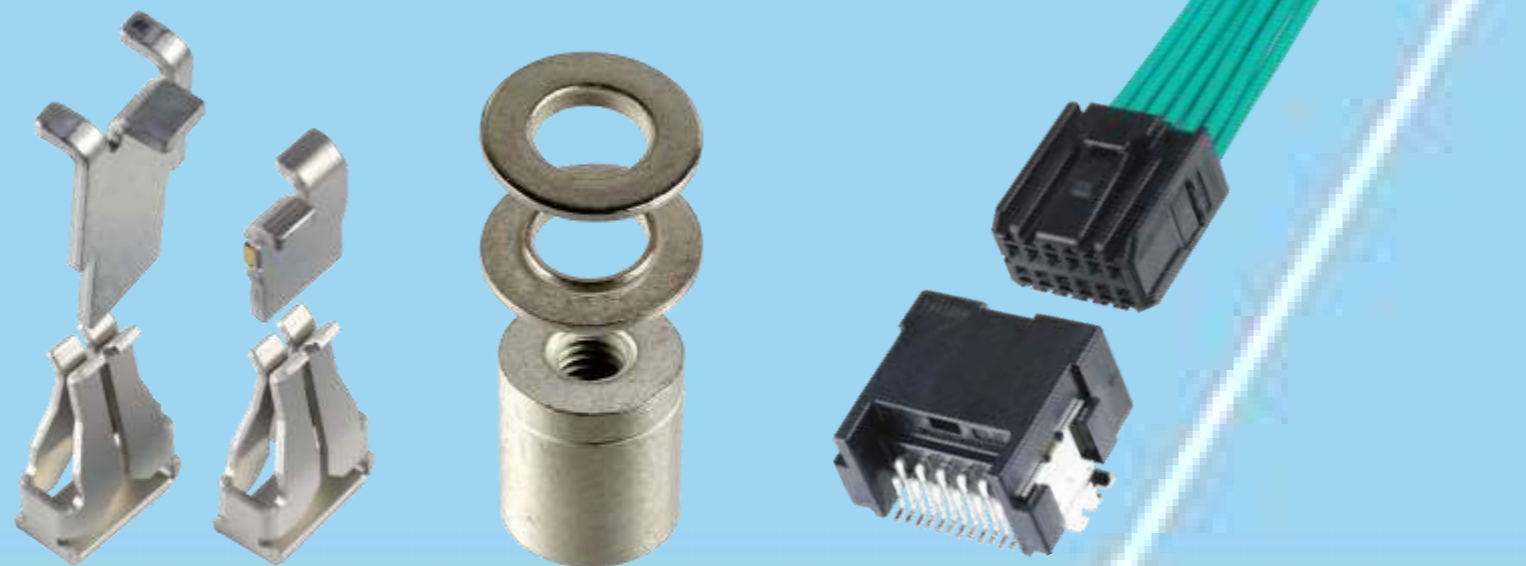
CABLINÉ® series



## Wire-to-Board Connectors/Terminals

AP series

ISH® series



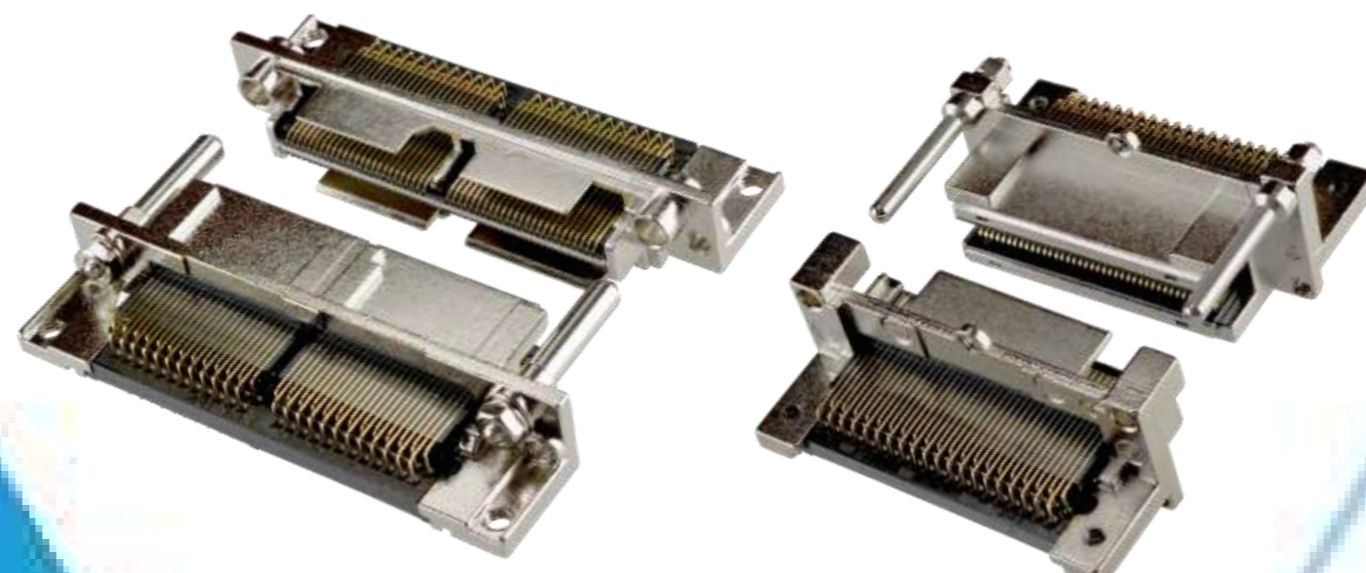
NOVASTACK® series



## Board-to-Board Connectors



## I/O Connectors

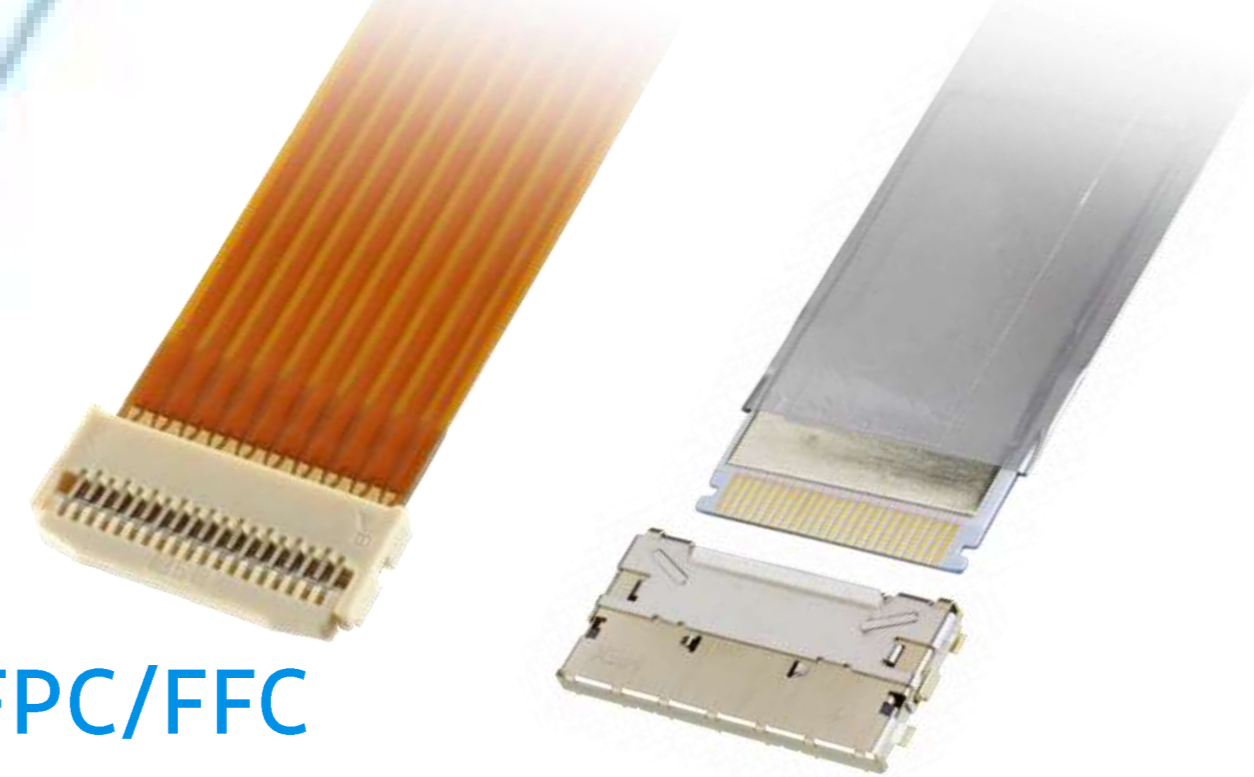


MINIDOCK™ series

MINIFLEX® series EVAFLEX® series



## FPC/FFC Connectors



Inquiry



I-PEX, MHF, CABLINE, NOVASTACK, ISH, IARPB, MINIFLEX, EVAFLEX, MINIDOCK and ZenShield are registered trademarks of I-PEX Inc. Please note that the contents in the catalog might be changed without prior notification. I-PEX Inc. assumes no responsibility for any inaccuracies or obligation to update information on these documents. Please be sure to read and understand the latest "Precautions for Use" and "Instruction Manual" before you use our products. We shall not be responsible for any defects, damages or troubles in case you use our products without following the precautions for use. Please feel free to contact our sales representatives when you use our products for applications that require very high reliability and safety, or that relate to human life (ex. nuclear power control, aerospace, transportation, medical equipment, safety equipment etc).

Contact your sales representative for more detailed information.

[www.i-pex.com](http://www.i-pex.com)



# I-PEX

© I-PEX Inc. 2025  
All rights reserved