

MINIDOCK™ Slim Type 80P Right Angle Plug

Part No. 30029

Packing Standard

6	S24127	May 30, 2024	Y. Kawano	Y. Baba	S. Suzuki
5	S13497	December 13, 2013	H. Tagomori	K. Narita	T. Takano
4	S12098	April 4, 2012	M. Yoshimura		E. Kawabe
3	S05109	July 11, 2005	J. Ohsaka		E. Kawabe
Rev.	ECN	Date	Prepared by	Checked by	Approved by

MINIDOCK Slim Type 80P Right Angle Plug Packing Standard

Document No.
300-141-C06EN

1. Product Name(s) and Part Number(s)

Product Name	Part Numbers
MINIDOCK Slim Type 80P Right Angle Plug	30029-*80T-F 30029-*80T-**F
Cross recessed head screws	90042-001
Note: Connectors with screw only	

2. Packing Material and Part Number

2.1 Connector

		Tray			Shipping Carton	Packing Carton
		950171-080			950001-001	950000-001
Outer Dimension		Pocket		Outer Dimension	Outer Dimension	
Pos	Width	Depth	Number of Pockets	W×D×H	W×D×H	
80P	360×165	27.0	18.6	24	385×175×90	406×406×214

2.2 Screw

Plastic Bag

W×D

190 x 120 (reference)

3. Packing Quantity

3.1 Connector

Quantity per **Tray**

Quantity per Packing Carton

24 24 pockets × 3 trays per shipping carton × 4 shipping cartons = 288 pieces per packing carton

3.2 Screw

Number of Screws per Connector

Number of Screws per Packing Carton

5 screws

1440 screws per bag

4. Label

P/N	①	CHECK	⑧ 托盘 PET
QTY	②	⑥	
LOT	③		
	NAME:	REMARK	
	④ MADE IN ***** ← ⑦ ⑨		
⑩			

- ① Part Number
- ② Quantity
- ③ Ten Digits Product Lot Number

Y	Y	M	M	D	D	#	#	#	#
Year		Month		Day		Four Digit Code for I-PEX usage			

- ④ Product Name
- ⑤ QR Code
- ⑥ Check Stamp
- ⑦ Country of Origin
- ⑧ Recycle Mark and Compliance Mark
- ⑨ Logo Mark
- ⑩ Manufacture Name

5. Packing Method

5.1 Packing of Tray

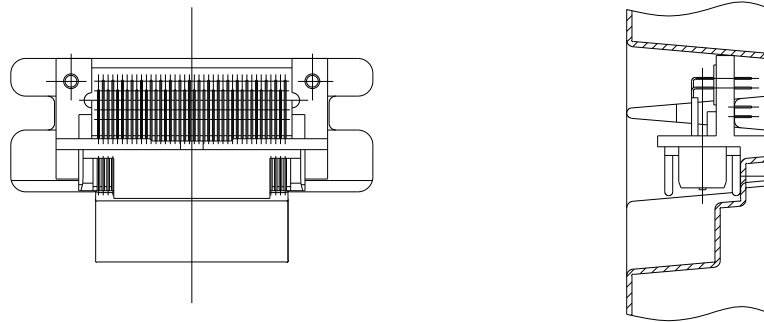


Fig. 1 Connector Orientation Inside the Pocket

5.2 Packing of Shipping Carton

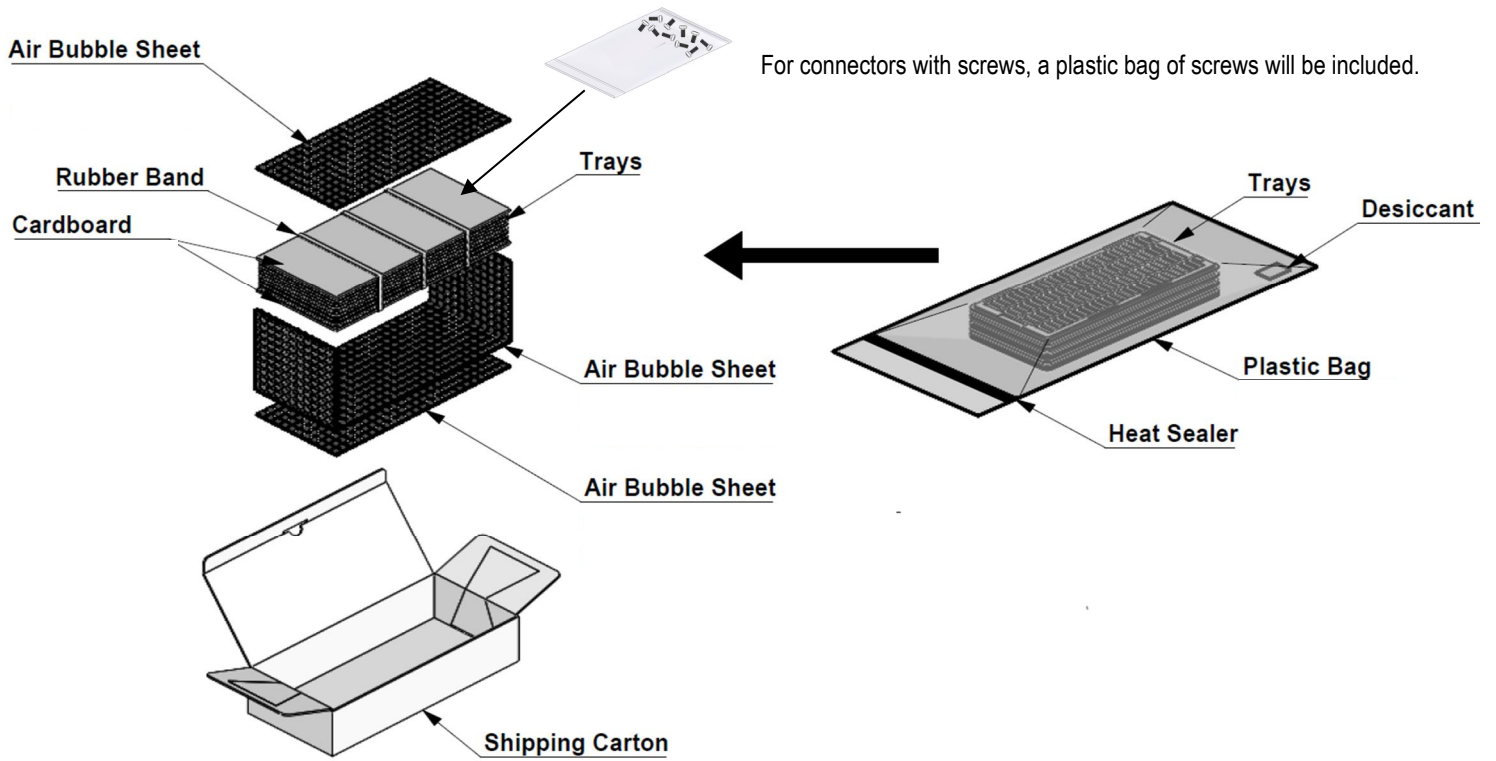


Fig. 2 Packing of Shipping Carton

5.3 Packing of Packing Carton

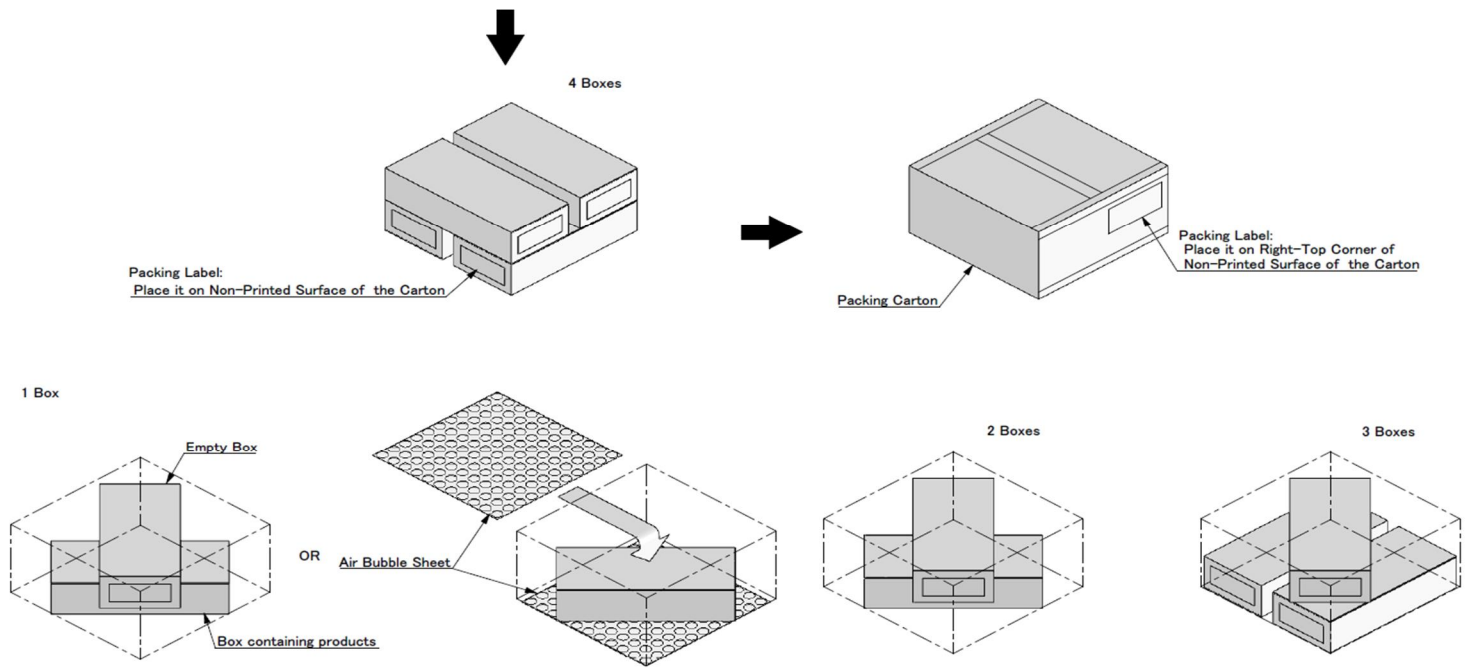


Fig. 3 Packing of Packing Carton