

IX-UC2000/2001/2002/2003 RECEPTACLE

Part No. 30112/30113/30114/30115

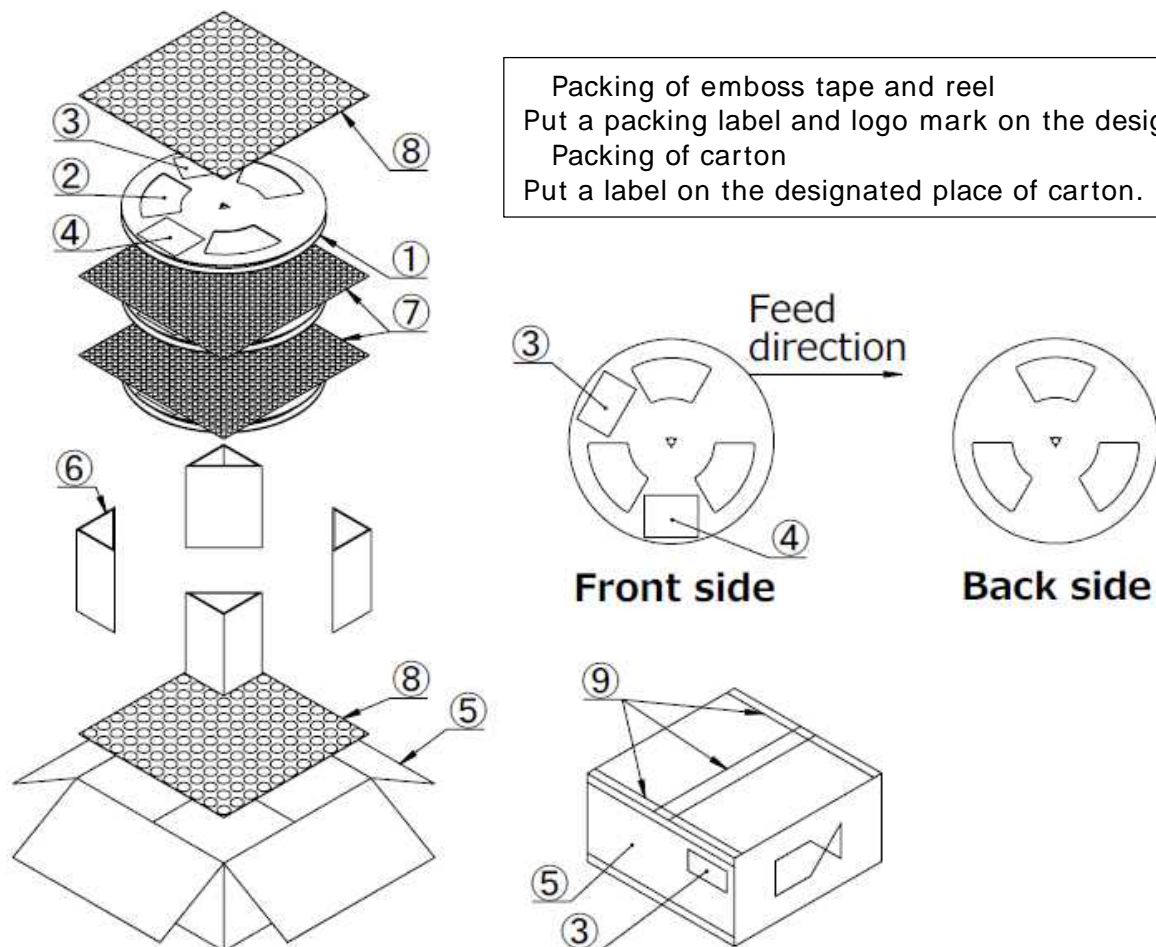
Packing Standard

2	S19413	July 1, 2019	S.Suzuki		Y.Shimada
1	S18823	December 28, 2018	S.Suzuki		T.Hirakawa
0	S18757	December 6, 2018	S.Suzuki		T.Hirakawa
Rev.	ECN	Date	Prepared by	Checked by	Approved by

1. Product information

Product name	Part No.
IX-UC2000 RECEPTACLE TOP MOUNT TYPE	30112-024E-01
IX-UC2001 RECEPTACLE MID MOUNT TYPE	30113-024E-01
IX-UC2002 RECEPTACLE MID MOUNT TYPE	30114-024E-01
IX-UC2003 RECEPTACLE MID MOUNT TYPE	30115-024E-01

2. Packing style

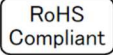



	Description	Dimensions(W×D×H)
	Reel	330×29.4
	Emboss tape	-
	Packing label	-
	Logo mark	-
	Packing carton	406×406×214
	Triangle cylinder	-
	Air bubble sheet #37	-
	Air bubble sheet #80	-
	Transparent plastic tape	-

3. Material and quantity


Part No.	EMBOSS TAPE		REEL		Qty. per emboss tape (pieces/reel)	Qty. per packing carton (reels/carton)
	Width [mm]	Thickness [mm]	Diameter [mm]	Width [mm]		
30112	24.0	4.70	330	29.4	890	6 / carton = 5,340
30113		4.10			700	6 / carton = 4,200
30114		3.80			800	6 / carton = 4,800
30115		4.30			700	6 / carton = 4,200

4. Packing label

P/N	Part number	CHECK QA Check Stamp
Q'TY	Quantity	
LOT	Products lot No.	
QR code	NAME: Product name   MADE IN CHINA	REMARK


DAI-ICHI SEIKO CO., LTD.

捆包卷盘




PS

料带封带



PS

捆包料带



PS

HF

Product lot No.

YY MM DD XXXX

DAI-ICHI SEIKO uses code