

ISH[®] TERMINAL

(Au plating)

Packing Standard

0	RS0942	June 14, 2023	Y. Nishimura	J.Mukunoki	J.Tateishi
Rev.	ECN	Date	Prepared by	Checked by	Approved by

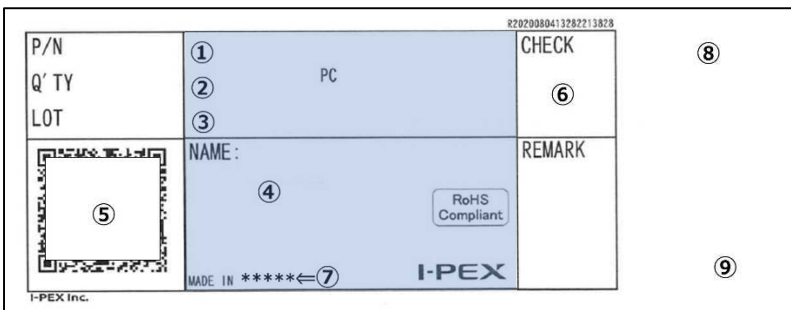
1. Product name(s) and part number(s)

Product name	Part number
ISH® 0.5mm FEMALE TERMINAL Au	VT009-03

2. Packing Material

Part number	Reel		Separating paper	Packing carton	Pieces per reel [pin]	Quantity per packing carton [pin]
	Diameter [mm]	Width [mm]	Width [mm]	Outer dimension (W×D×H) [mm]		
VT009-03	610	22	20	630 x 620 x 170	10,000	10,000 × 4 reel = 40,000

3. Label



- ① Part number
- ② Quantity
- ③ Ten digits product lot number

Y	Y	M	M	D	D	#	#	#	#
Year		Month		Day		Note 1			

Note 1: Code for plant usage.

- ④ Product name
- ⑤ QR code
- ⑥ Check stamp
- ⑦ Country of origin
- ⑧ Recycle mark and compliance mark
- ⑨ Reel number

※Number of joint/s must be indicated on the label (for reel).

The joints are 2 max per reel.

Indicate "JOINT" in REMARK section.

4. Packing style

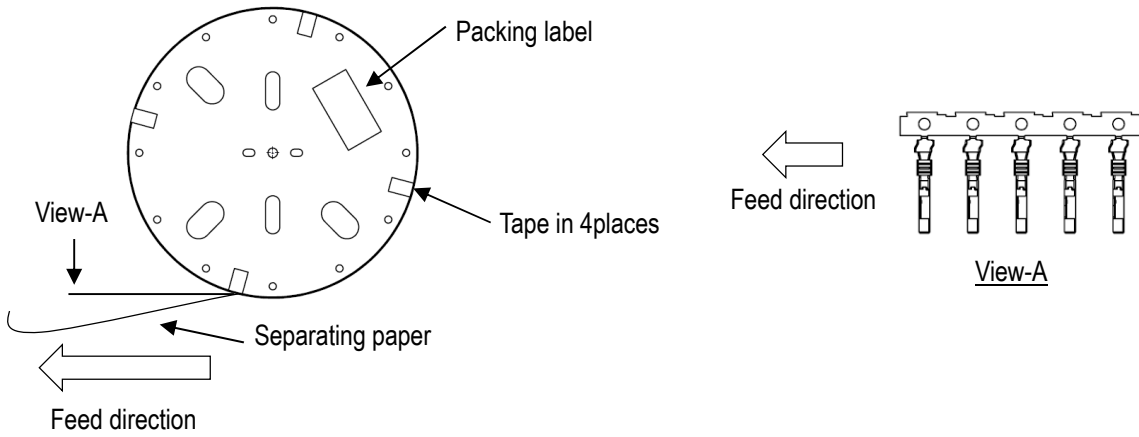


Fig 1. Reel

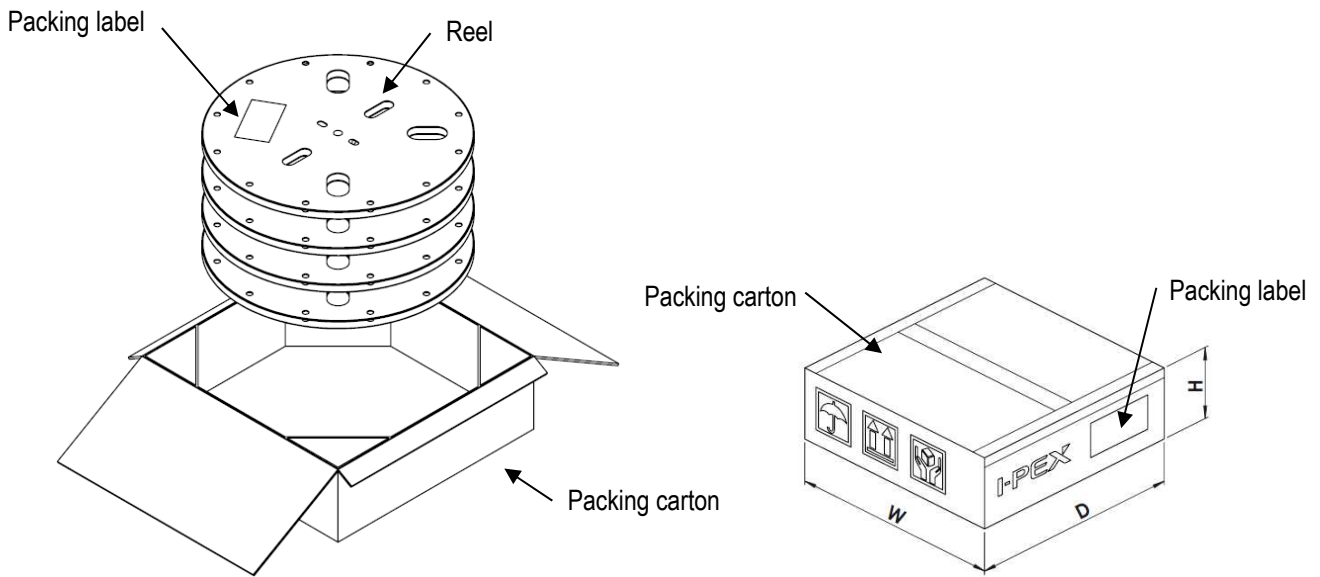


Fig 2. Packing style