

IARPB[®] VERTICAL CONNECTOR TERMINAL

Packing Standard

0	RS1002	July 8, 2024	Y.Imae	H.Kurita	J.Tateishi
Rev.	ECN	Date	Prepared by	Checked by	Approved by

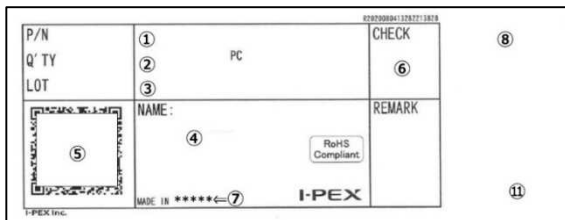
1. Product name(s) and part number(s)

Product name	Part number
IARPB VERTICAL CONNECTOR TERMINAL	V0145-71001-01

2. Packing material and quantity

Part number	Reel		Separating paper	Packing carton	Pieces per reel	Quantity per packing carton
	Diameter	Width	Width	Outer dimension	[pin]	[pin]
	[mm]	[mm]	[mm]	(W×D×H) [mm]		
V0145-71001-01	610	22	20	630 x 620 x 170	14,000	14,000 × 4 reel = 56,000

3. Label



- ① Part number
- ② Quantity
- ③ Product lot number

Y	Y	M	M	D	D	#	#	#	#
Year		Month		Day		Note 1			

Note 1: Production site code.

- ④ Product name
- ⑤ QR code
- ⑥ Check stamp
- ⑦ Country of origin
- ⑧ Recycle mark and compliance mark
- ⑨ Reel number

※ Number of joints must be indicated on the label (for reel).

The joints are two max per reel. Indicate "JOINT" in REMARK section.

4. Packing method

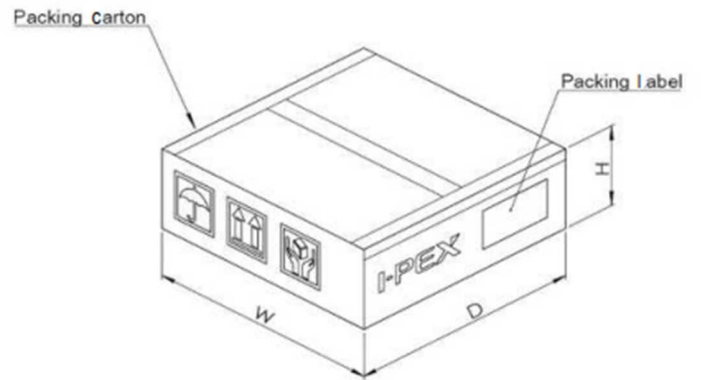
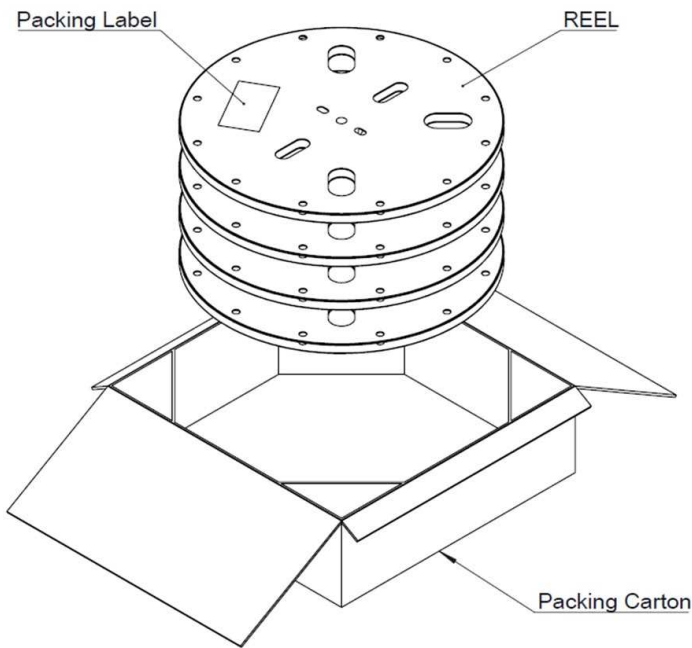
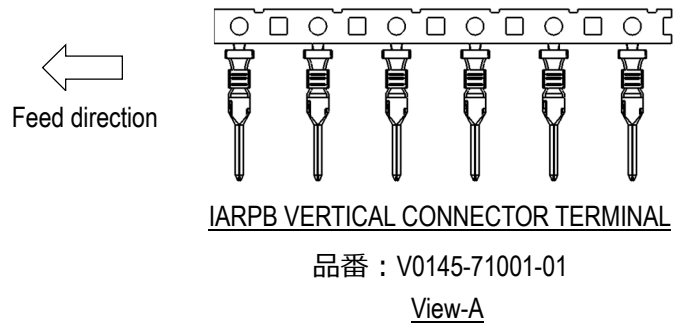
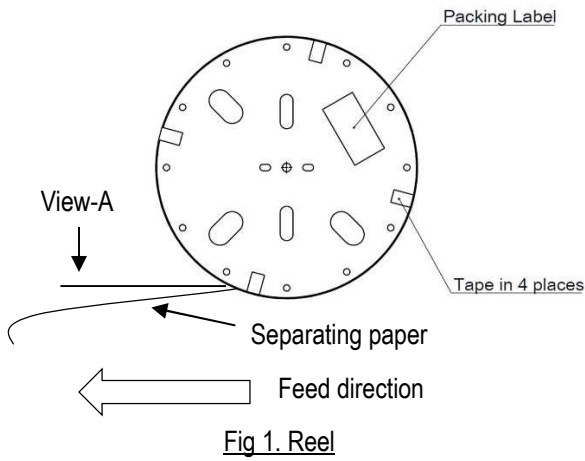


Fig 2. Packing style