

IARPB® VERTICAL CONNECTOR HOUSING

Packing Standard

0	RS1002	July 8, 2024	Y. Imae	H.Kurita	J.Tateishi
Rev.	ECN	Date	Prepared by	Checked by	Approved by

1. Product name(s) and part number(s)

IARPB® CONNECTOR VERTICAL HOUSING

Poles	Part number	Color
2P	V0145-91002-01	Black
3P	V0145-91003-01	Black
4P	V0145-91004-01	Black
5P	V0145-91005-01	Black
6P	V0145-91006-01	Black
7P	V0145-91007-01	Black

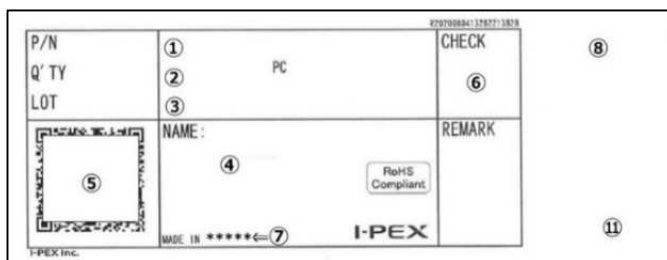
2. Packing material and quantity

Poles	Part number	Packing bag	Packing carton	Pieces per packing bag [pcs.]	Quantity per packing carton
		Outer dimension (W×D) [mm]	Outer dimension (W×D×H) [mm]		[pcs.]
2P	V0145-91002-01	200 x 340	406 x 406 x 214	700	700 × 16 bags =11,200
3P	V0145-91003-01	200 x 340	406 x 406 x 214	700	700 × 16 bags =11,200
4P	V0145-91004-01	200 x 340	406 x 406 x 214	700	700 × 16 bags =11,200
5P	V0145-91005-01	200 x 340	406 x 406 x 214	400	400 × 16 bags =6,400
6P	V0145-91006-01	200 x 340	406 x 406 x 214	400	400 × 16 bags =6,400
7P	V0145-91007-01	200 x 340	406 x 406 x 214	400	400 × 16 bags =6,400

NOTE

3P,5P,6P are in planning.

3. Label



- ① Part number
- ② Quantity
- ③ Product lot number

Y	Y	M	M	D	D	#	#	#	#
Year		Month		Day		Note1			

Note 1: Production site code.

- ④ Product name (abbr.)
- ⑤ QR code
- ⑥ Check stamp
- ⑦ Country of origin
- ⑧ Recycle mark and compliance mark

4. Packing method

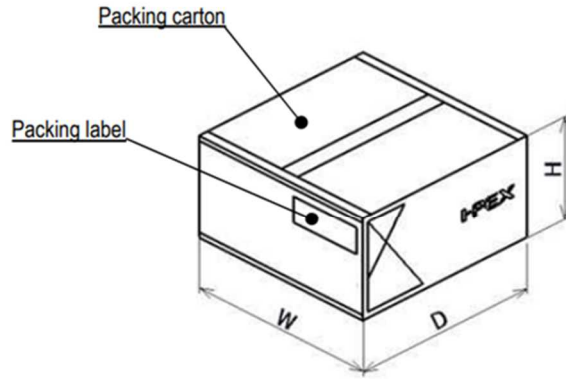


Fig1 Packing carton

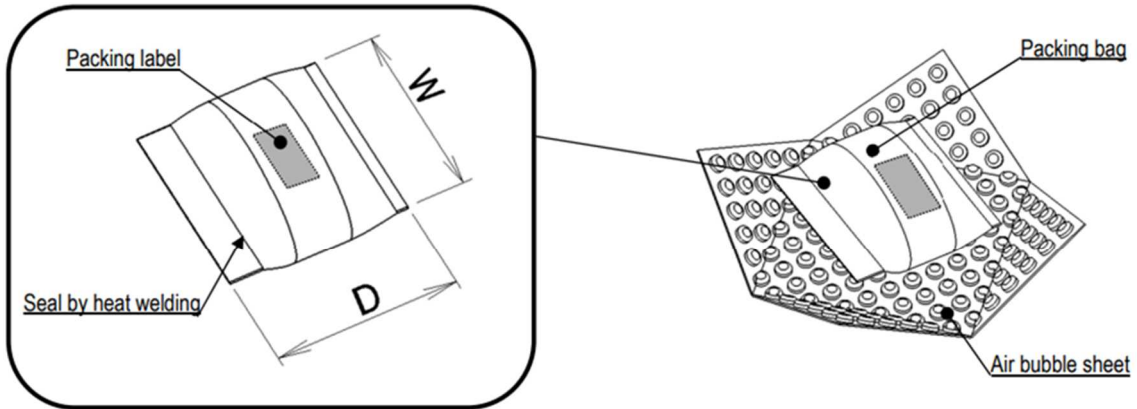


Fig2 Packing bag

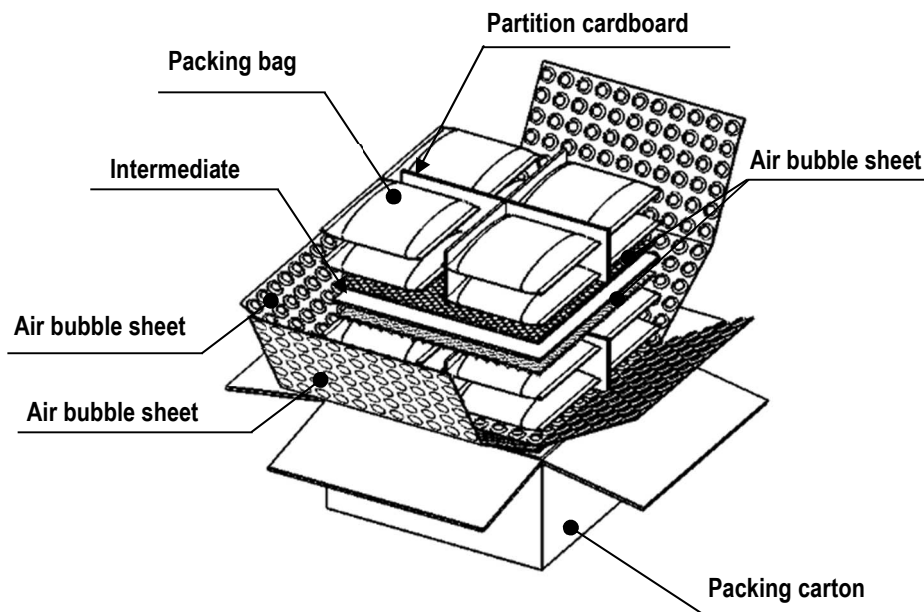


Fig3 Packing style