

# CABLINE®-UM PLUG LOCK COVER

Part No. 3493-#\*\*1 / 3861-0\*\*1

## Packing Standard

7	S24495	December 25, 2024	S.Kaida	M.Nakamura	T.Masunaga
6	S24442	October 29, 2024	K.Tanabe	M.Nakamura	T.Masunaga
5	S24327	August 9, 2024	T.Ono	M.Nakamura	T.Masunaga
4	S24030	January 24, 2024	K.Tanabe	M.Nakamura	T.Masunaga
Rev.	ECN	Date	Prepared by	Checked by	Approved by

## 1. Product Name(s) and Parts Number(s)

Product Name	Part Number
CABLINE-UM PLUG LOCK COVER	3493-#**1 / 3861-0**1





## 2. Packing Material

Pos.	Reel		Packing Carton
	Diameter	Width	Outer Dimension
30P	φ380	59.0	406×406×214
40P		64.0	
50P		69.0	OUTER
60P			

## 3. Packing Quantity

Pos.	Reel Quantity	Pieces per Reel	Quantity per Packing Carton
30P	3 Reels	4000	4,000 × 3 = 12,000
40P			
50P			
60P	2 Reels		4,000 × 2 = 8,000

## 4. Label

P/N	①	CHECK	⑧ 捆包卷盘  WPP 层间纸  WPP 
QTY	②	⑥	
LOT	③	REMARK	
 ⑤	NAME: ④ RoHS Compliant ⑨ MADE IN ***** ← ⑦		
⑩			

- ① Part Number
- ② Quantity
- ③ Ten Digits Product Lot Number

Y	Y	M	M	D	D	#	#	#	#
Year		Month		Day		Four Digit Code for I-PEX usage			

- ④ Product Name
- ⑤ QR Code
- ⑥ Check Stamp
- ⑦ Country of Origin
- ⑧ Recycle Mark and Compliance Mark
- ⑨ Logo Mark
- ⑩ Manufacture Name

## 5. Packing Method

### 5-1 Packing of Reel

- (1) Coiling of shell to reel follow as shown Fig.1.
- (2) Coiling quantity. is 4000 in reel.

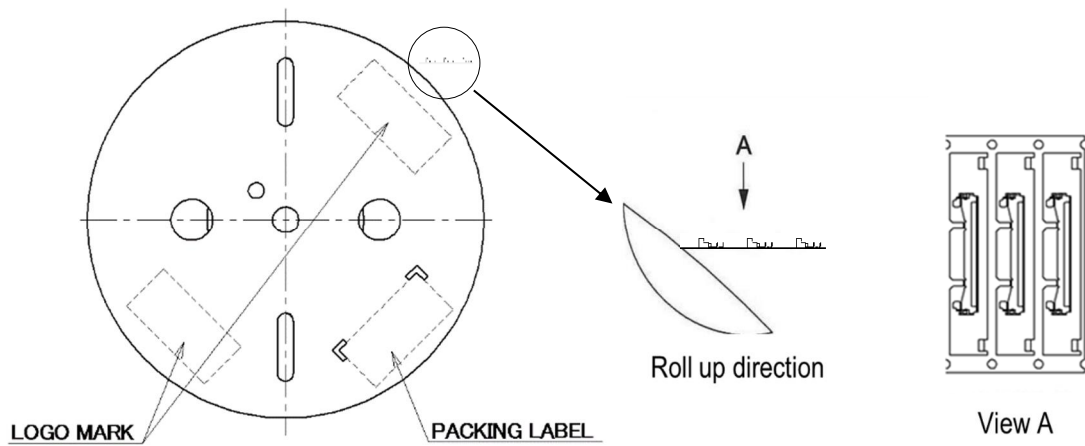


Fig.1

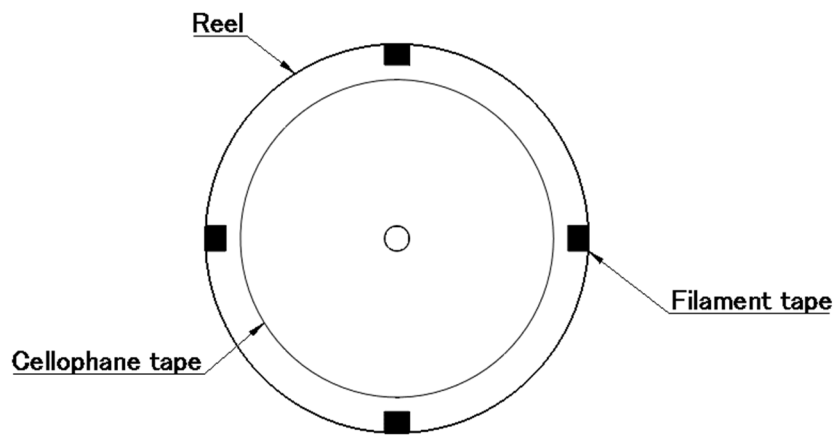


Fig.2

## 5-2 Packing of P Carton

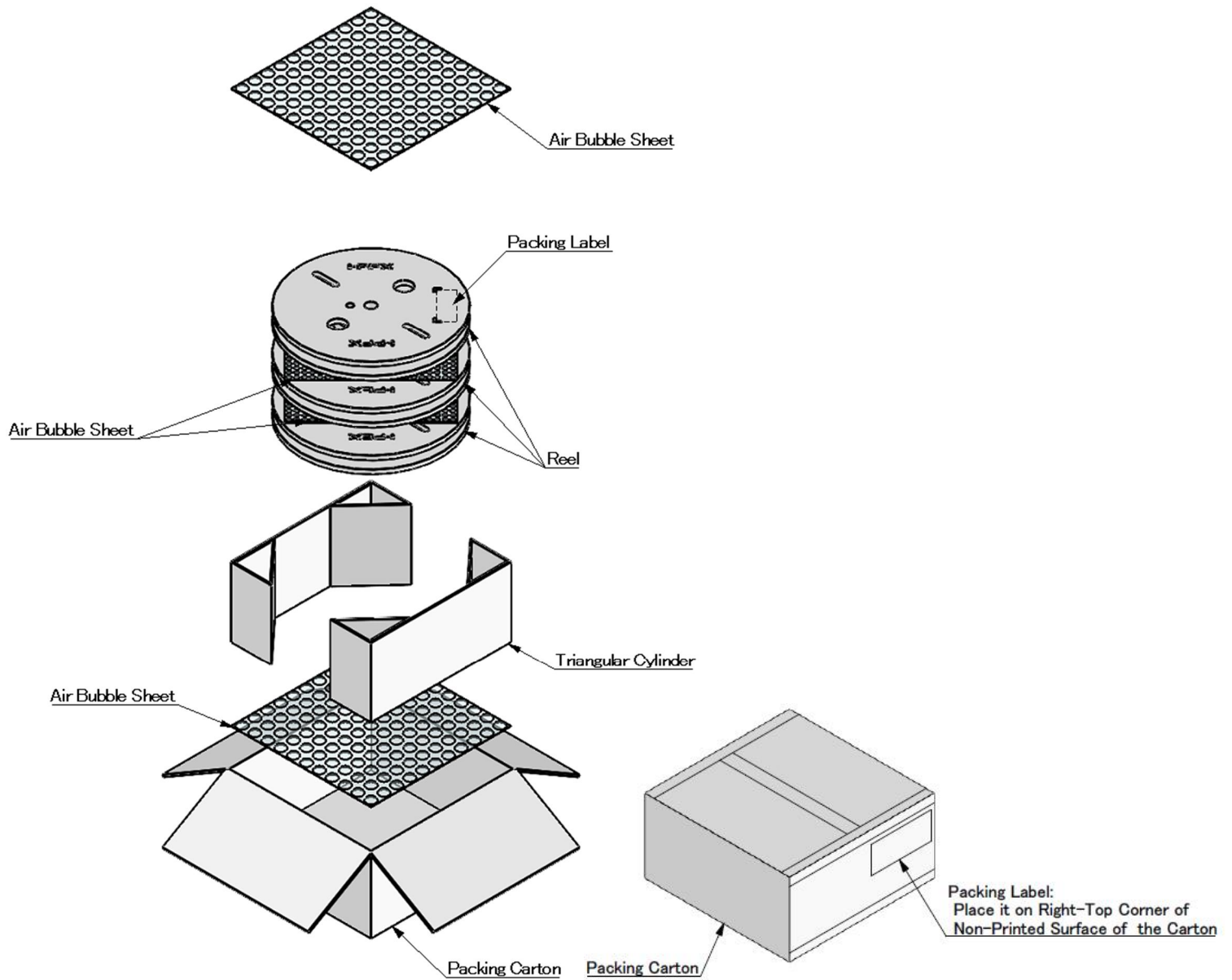


Fig.3

[Note]

Connection of carrier: 1 connection MAX. / reel

To write the label "ONE CONNECTION", when we connect the carrier.

There must be at least two turns of coiling paper between the first and the second carrier.

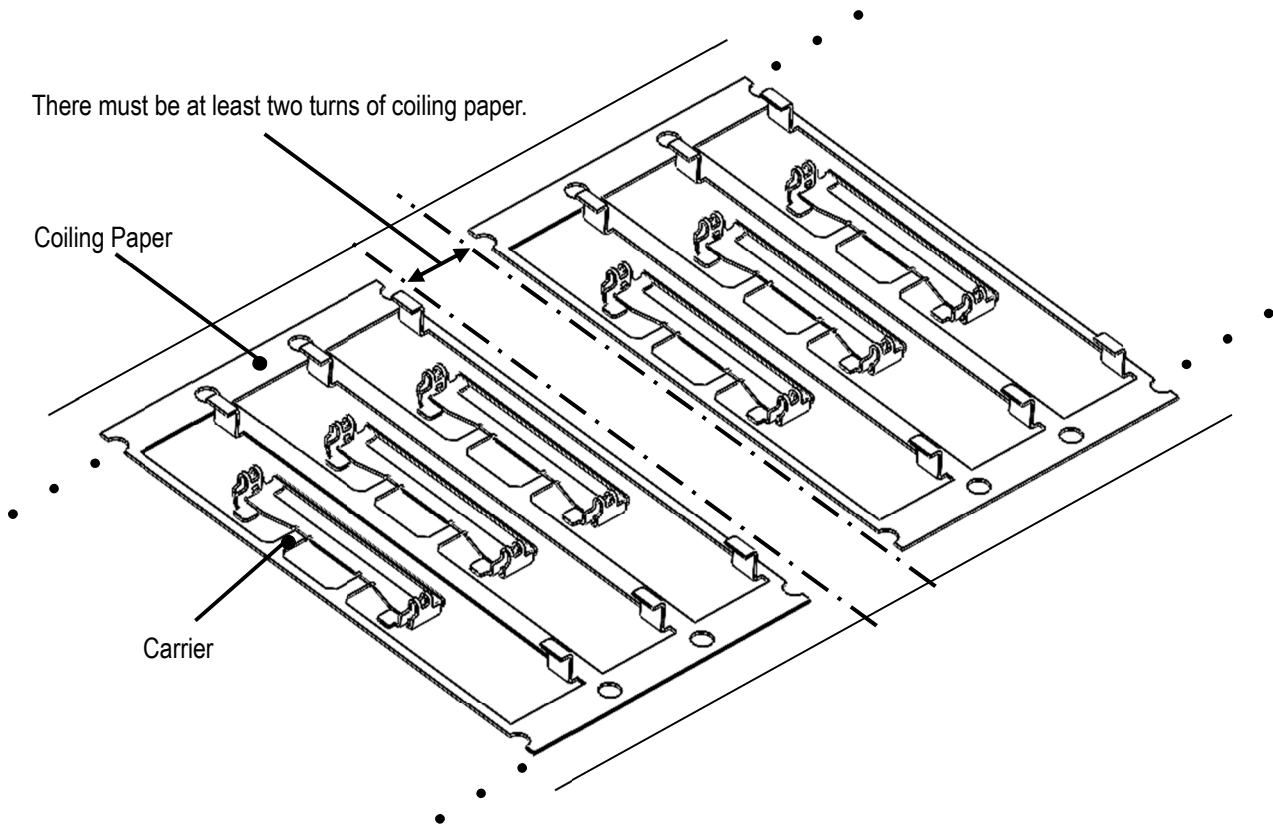


Fig.4 Connection of Carrier