

CABLINE®-UA II Plug Metal Cover

Part No. 2679-0**-**

Packing Standard

6	S24137	September 6, 2024	R.Minohara	T.Tanigawa	H.Ikari
5	S18103	February 1, 2018	R.Hoshino	K.Tanaka	M.Takemoto
4	S13511	December 25, 2013	S.Kawamura	K.Narita	T.Takano
3	S12384	August 28, 2012	Y.Watanabe	K.Narita	T.Takano
Rev.	ECN	Date	Prepared by	Checked by	Approved by

CABLINE-UA II Plug Metal Cover Packing Standard

Document No.
300-696-C06EN

1. Product Name(s) and Part Number(s)

Product Name	Part Number
CABLINE-UA II Plug Metal Cover	2679-0**-**

2. Packing Material and Part Number

Pos.	Diameter	Reel Width	Packing Carton
26P		39.0	
32P	φ380	44.0	406 × 406 × 214 Outer
34P			
40P			
50P			

3. Packing Quantity

Pos.	Quantity in Reel	Reel Quantity	Quantity in Packing Carton
26P		4	60,000
32P	15,000	3	45,000
40P			
50P			

4. Label

P/N QTY LOT	① ② ③	CHECK ⑥	⑧ 捆包卷盘 WPP 层间纸 WPP ⑨ HF
QR Code ⑤	NAME: ④ MADE IN ***** ← ⑦	REMARK	

- ① Part Number
- ② Quantity
- ③ Ten Digits Product Lot Number

Y	Y	M	M	D	D	#	#	#	#
Year		Month		Day		Four Digit Code for I-PEX usage			

- ④ Product Name : CABLINE-UA II PLUG METAL COVER
- ⑤ QR Code
- ⑥ Check Stamp
- ⑦ Country of Origin
- ⑧ Recycle Mark and Compliance Mark
- ⑨ Logo Mark
- ⑩ Manufacture Name

5. Packing Style

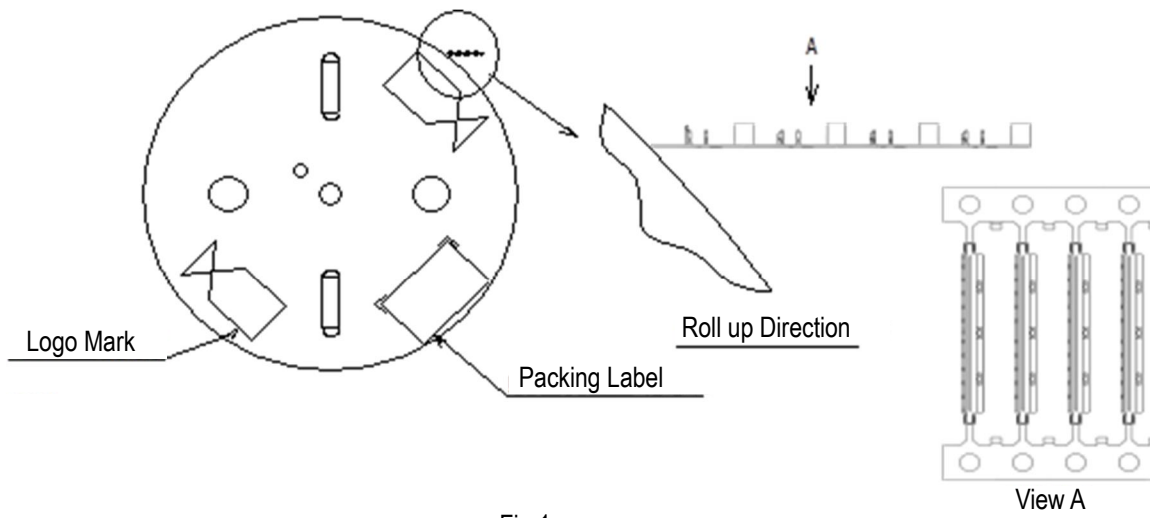


Fig.1

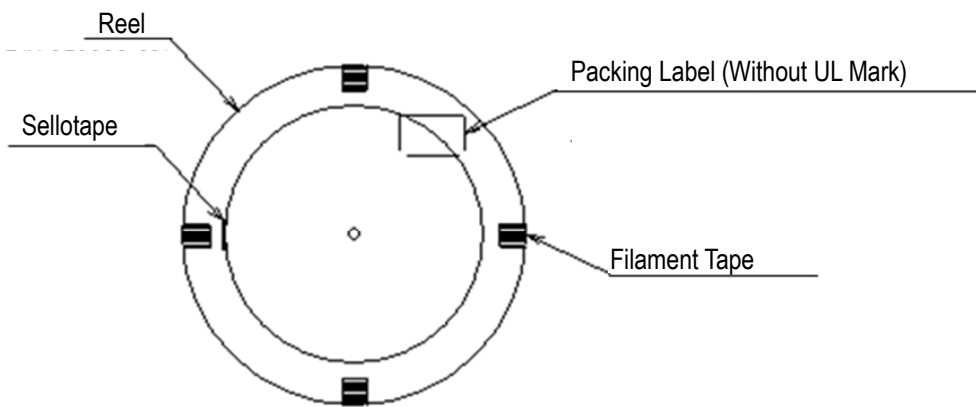


Fig.2

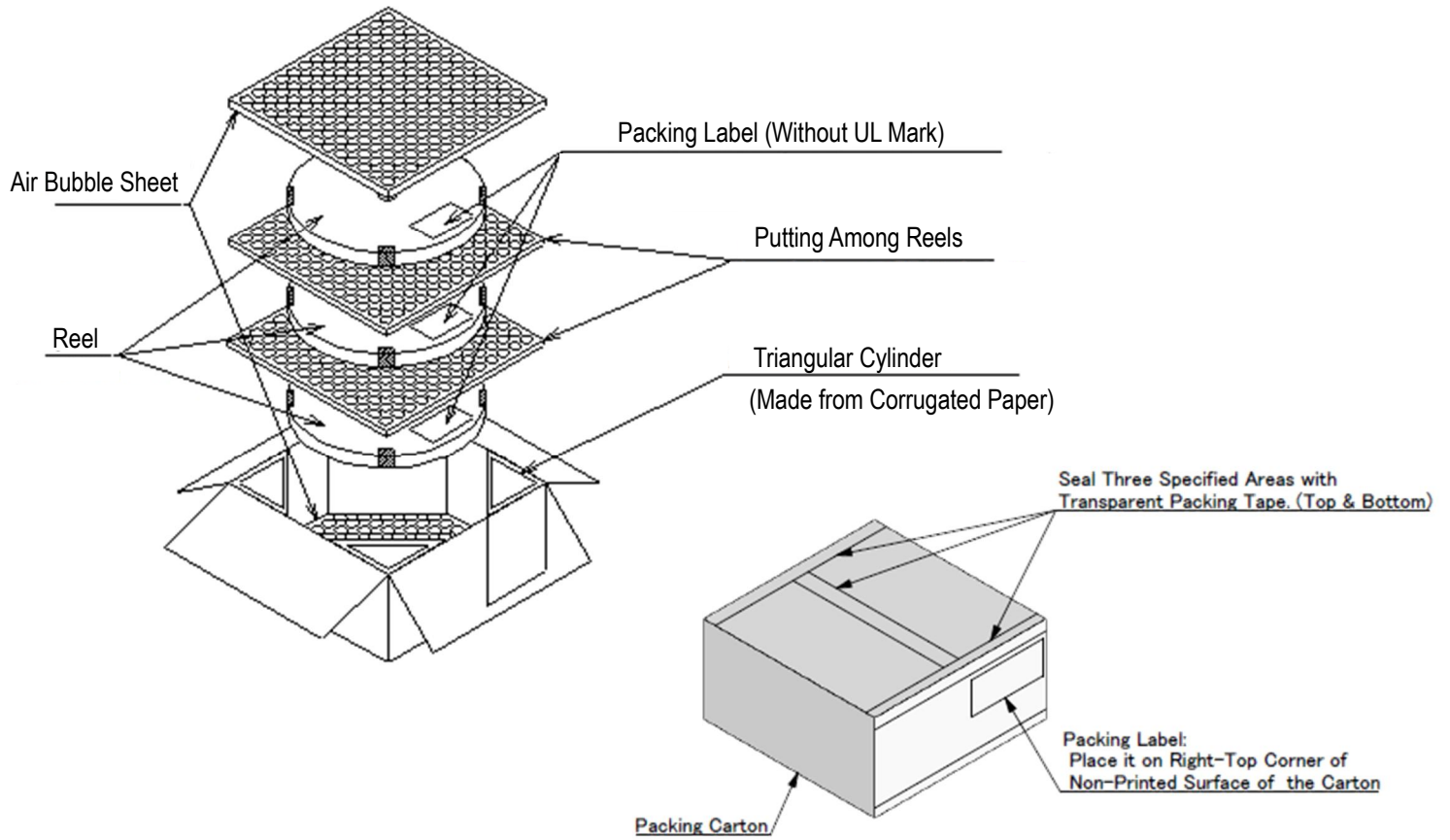


Fig.3