

CABLINE[®]-CX II PLUG SHELL-A

Part No. 3655-0401

Packing Standard

3	S24158	May 10, 2024	T.Ono	T.Tanigawa	H.Ikari
2	S19513	September 4, 2019	S.Yamaguchi	T.Kurachi	H.Ikari
1	S17878	November 28, 2017	R.Hoshino	T.Yayoshi	M.Takemoto
0	S17746	October 6, 2017	R.Hoshino	T.Yayoshi	M.Takemoto
Rev.	ECN	Date	Prepared by	Checked by	Approved by

CABLINE-CX II PLUG SHELL-A Packing Standard

Document No.
PST-17125-C03EN

1. Product Name(s) and Part Number(s)

Product Name	Part Number
CABLINE-CX II PLUG SHELL-A	3655-0401




2. Packing Material and Part Number

Pos.	Reel		Triangular Cylinder		Packing Carton
	Diameter	Width	Width	Height	Outer Dimension
	950229		950531		950000
40P	φ380	44.0	380.0	188.0	406×406×214

3. Packing Quantity

Pos.	Reel Quantity	Pieces per Reel	Quantity per Packing Carton
40P	3 Reels	10,000	10,000 × 3 = 30,000

4. Label

P/N	①	CHECK	捆包卷盘 ⑧  WPP 层间纸  WPP HF
QTY	②	⑤	
LOT	③	REMARK	
	NAME: ④ MADE IN ***** ← ⑦ RoHS Compliant ⑨		
⑩			

- ① Part Number
- ② Quantity
- ③ Ten Digits Product Lot Number

Y	Y	M	M	D	D	#	#	#	#
Year		Month		Day		Four Digit Code for I-PEX usage			

- ④ Product Name
- ⑤ QR Code
- ⑥ Check Stamp
- ⑦ Country of Origin
- ⑧ Recycle Mark and Compliance Mark
- ⑨ Logo Mark
- ⑩ Manufacture

5. Packing Method

5-1 Packing of Reel

- (1) Coiling of shell to reel follow as shown Fig.1.
- (2) Coiling quantity. is 10,000 in reel.

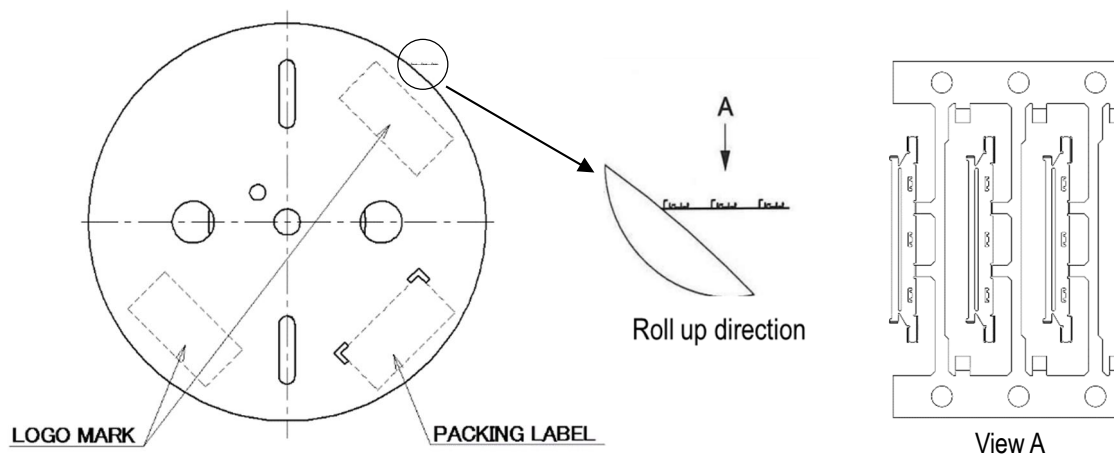


Fig.1

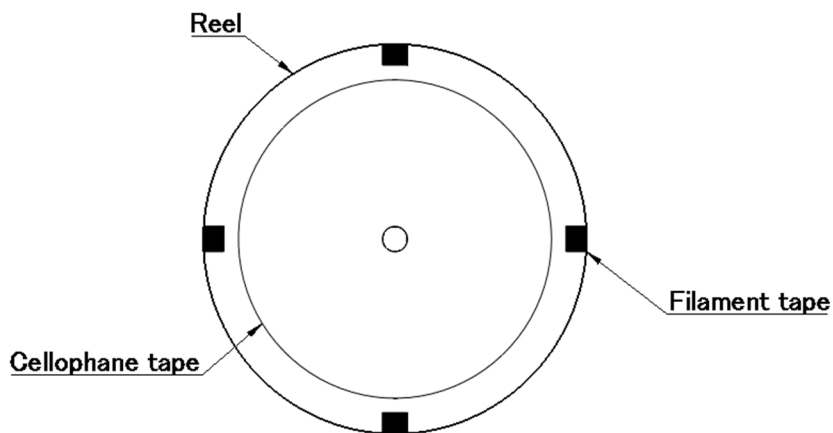


Fig.2

5-2 Packing of P Carton

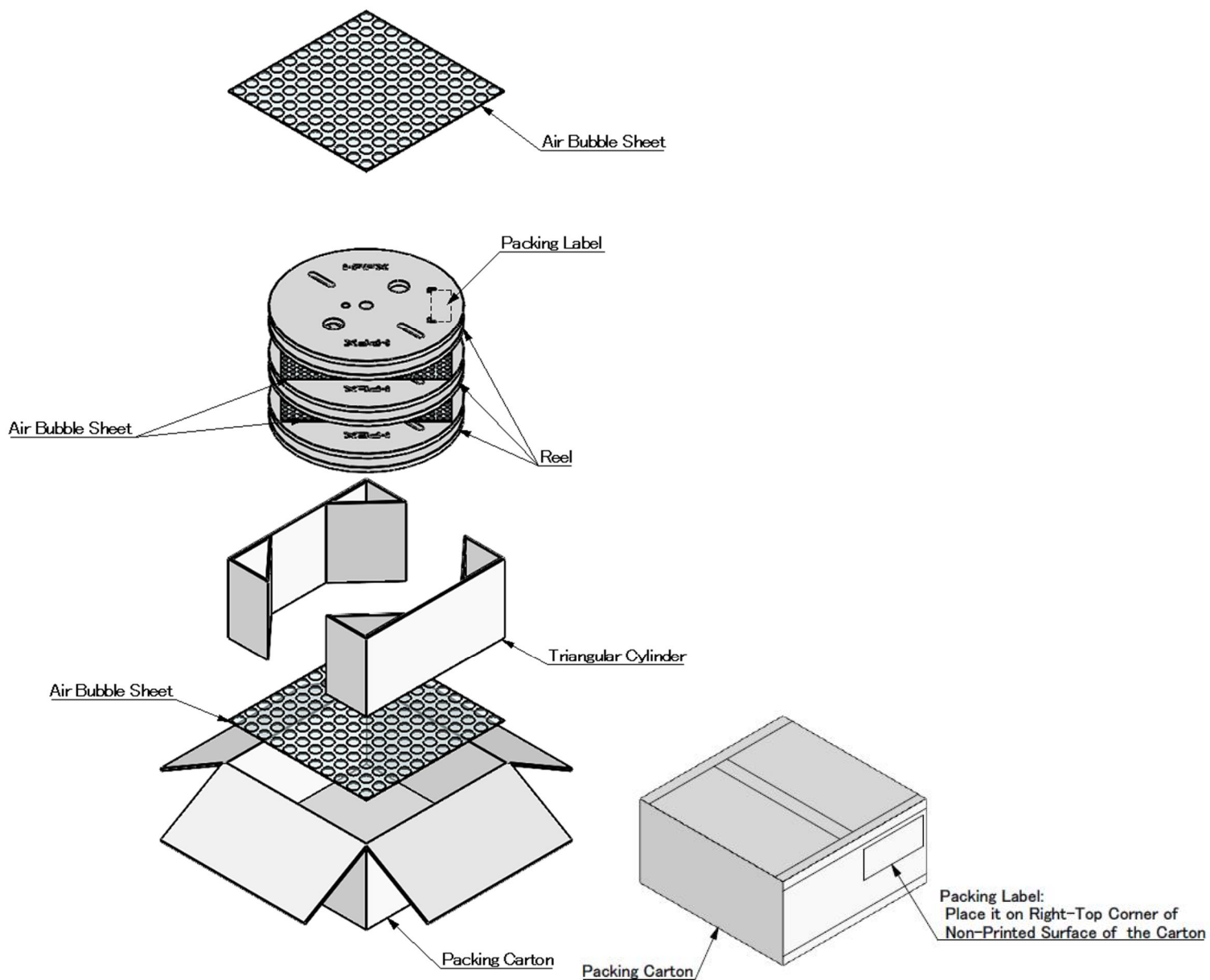


Fig.3