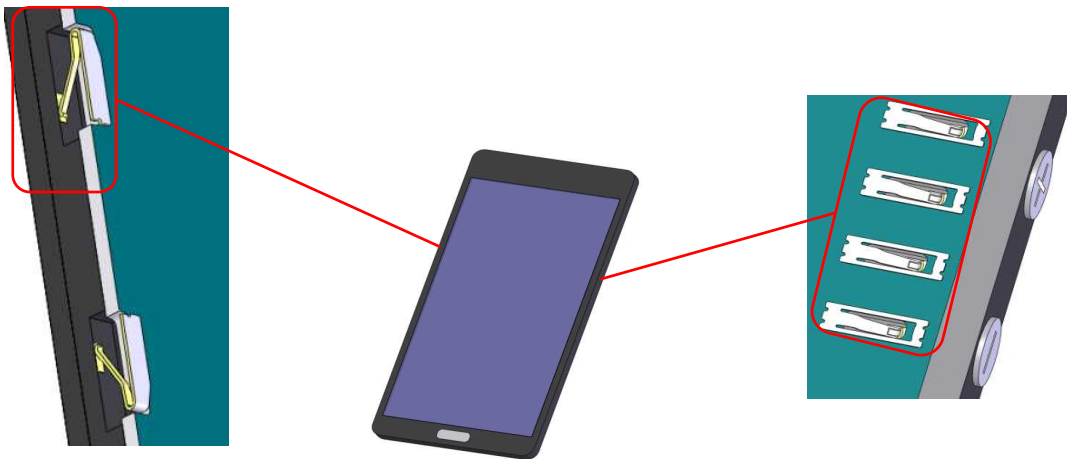


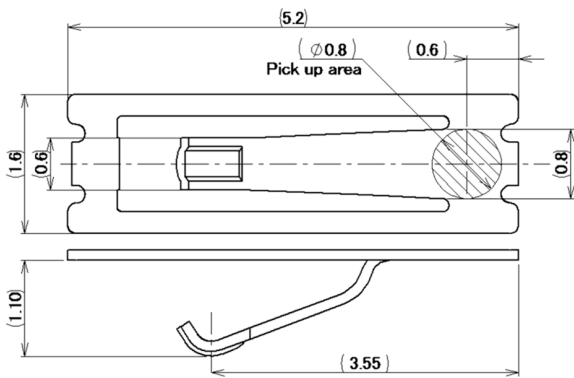


- ✓ Enables reverse side contact for grounding and power connection.
- ✓ Working height: 0.65 mm-0.95 mm (MP-S01), 0.85 mm-1.25 mm (MP-S03).
- ✓ Contact force 0.3-0.9 N.

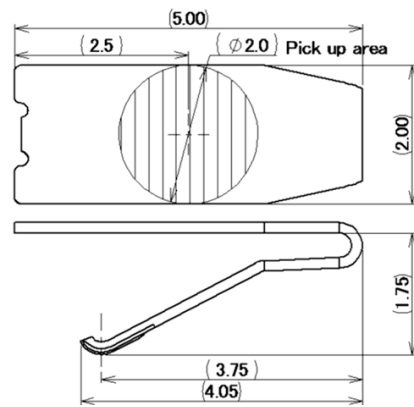
Enables Reverse Side Contact for Grounding and Power Connection



Working Height: 0.65 mm - 0.95 mm (MP-S01), 0.85 mm - 1.25 mm (MP-S03)



MP-S01



MP-S03

Contact Force 0.3 - 0.9 N

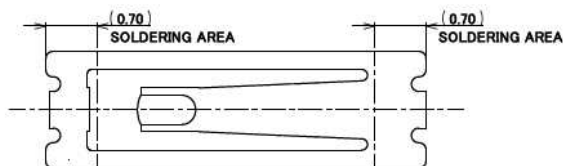
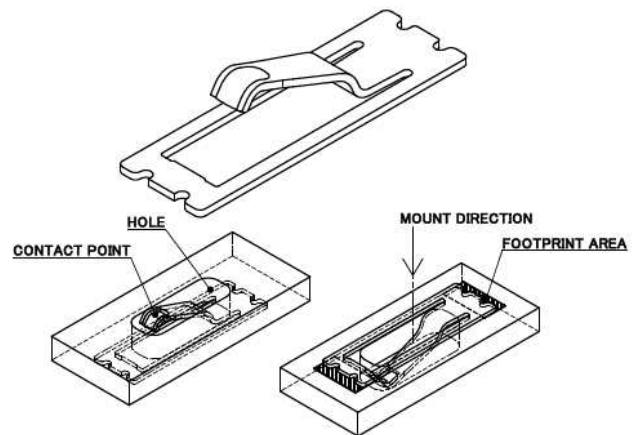
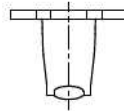
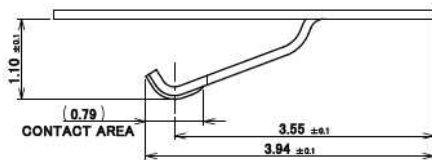
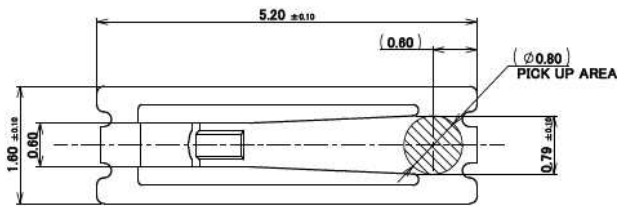
	MP-S01	MP-S03
Item		
Contact Force	0.3N - 0.9N	0.3N - 0.9N

MP-S

Component Parts Detail

MP-S01

Recommended P/N	3110-0001
PART NO.	3110-0001



NO.	DISCRPTION	MATERIAL	FINISH , REMARKS
1	CONNECTOR	PHOSPHOR BRONZE T=0.12mm	UNDER PLATE Ni 1.27 μ m MIN. CONTACT AREA Au 0.1 μ m MIN.

NOTES.
1.WORKING HEIGHT=0.75±0.10
2.BOARD THICKNESS=0.85 MAX.

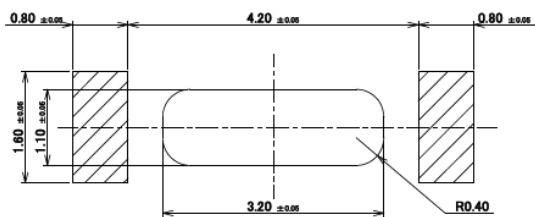
Rev.4

MP-S01

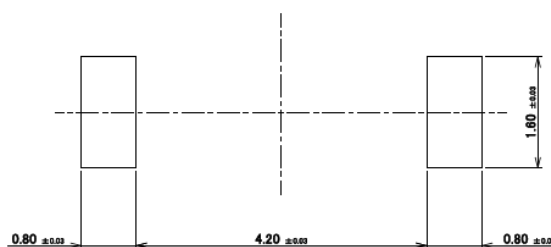
ITEMS	SPECIFICATION
RATING VOLTAGE	5 V AC (PER A CONTACT)
RATING AMPERAGE (FOR SIGNAL CONTACT)	0.7 A AC (PER A CONTACT)
OPERATING TEMPERATURE	248~358K(-40°C~85°C)
OPERATING HUMIDITY	85% MAX.(NON-CONDENDING)
CONTACT RESISTANCE (FOR SIGNAL CONTACT)	INITIAL : 25 mohm MAX. / AFTER TEST : 25 mohm MAX.
DURABILITY	10 CYCLES
CONTACT FORCE	0.30~0.95 N
COPLANARITY	0.08 MAX.
PRODUCT SPECIFICATION	PRS-2227
TEST REPORT	TR-16040
PACKING STANDARD	PST-18050
INSTRUCTION MANUAL	HIM-19018
APPEARANCE CRITERIA No.	QLS-A***

Rev.4

MP-S01



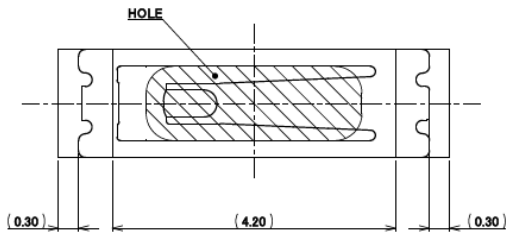
RECOMMENDED FOOTPRINT PATTERN LAYOUT



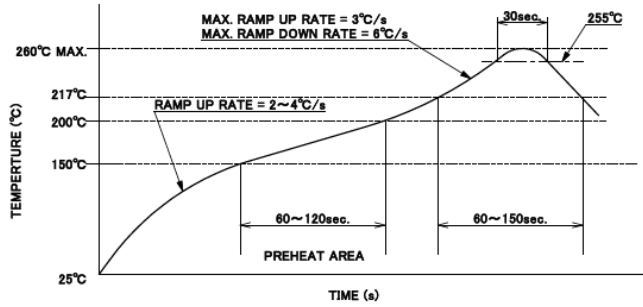
RECOMMENDED METAL MASK LAYOUT
METAL MASK THICKNESS : T=0.10mm

Rev.4

MP-S01



CONNECTOR ON RECOMMENDED FOOTPRINT PATTERN

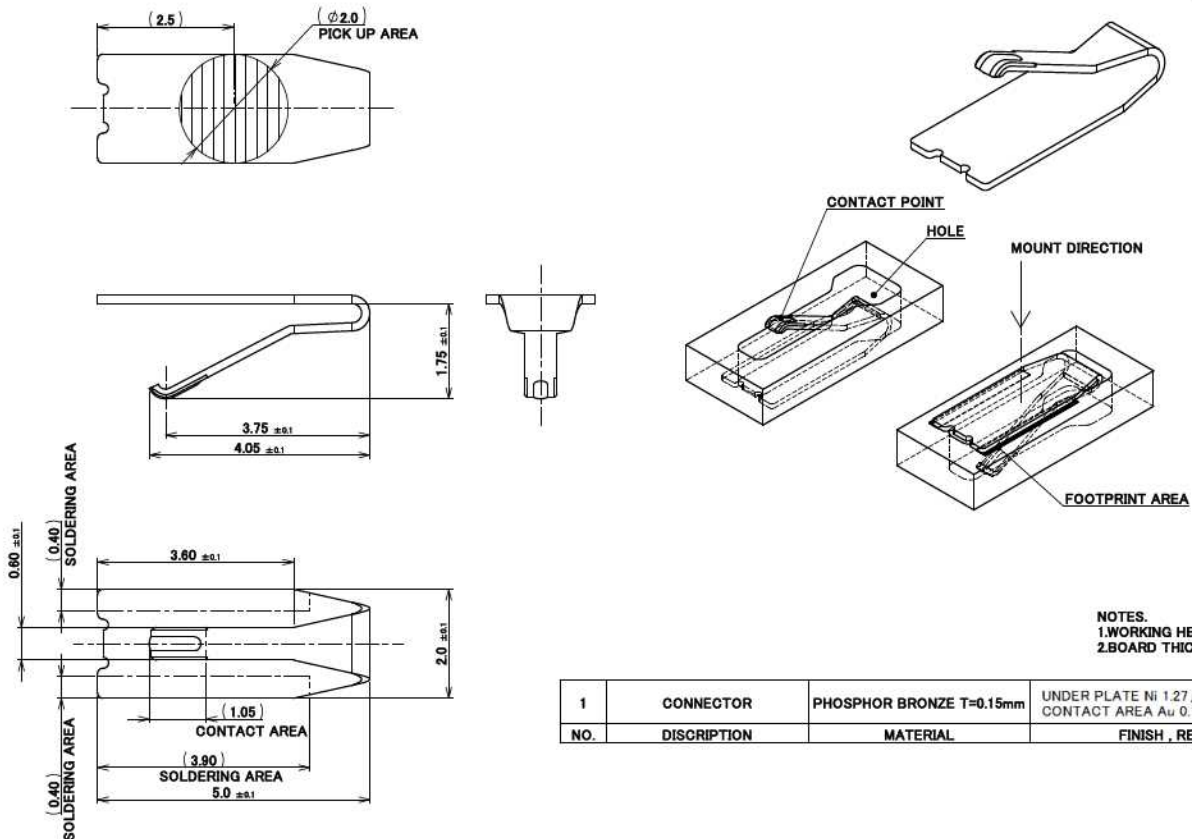


REFLOW TEMPERATURE PROFILE
SENJU METAL INDUSTRY CO., LTD. : M705-SHF(Sn96.5 Ag3.0 Cu0.5)

Rev.4

MP-S03

Recommended P/N	3112-0001
PART NO.	3112-0001



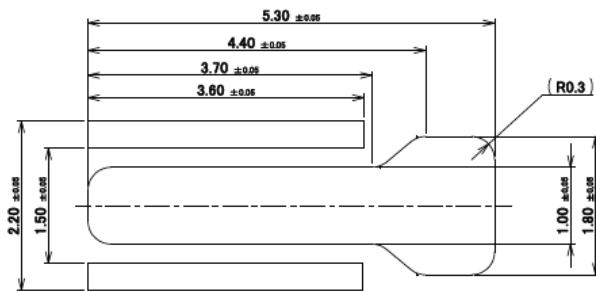
NOTES.
1.WORKING HEIGHT=1.05±0.2
2.BOARD THICKNESS=1.25 MAX.

NO.	DISCRPTION	MATERIAL	FINISH , REMARKS
1	CONNECTOR	PHOSPHOR BRONZE T=0.15mm	UNDER PLATE Ni 1.27 μm MIN. CONTACT AREA Au 0.1 μm MIN.

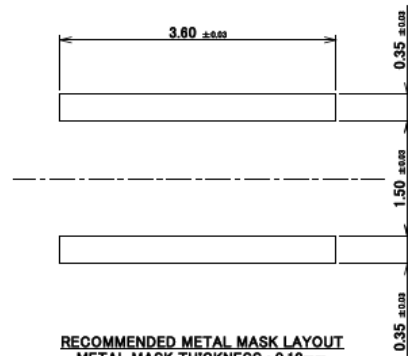
Rev.4

ITEMS	SPECIFICATION
RATING VOLTAGE	5 V AC (PER A CONTACT)
RATING AMPERAGE (FOR SIGNAL CONTACT)	3 A AC (PER A CONTACT)
OPERATING TEMPERATURE	248~358K(-40°C~85°C)
OPERATING HUMIDITY	85% MAX.(NON-CONDENDING)
CONTACT RESISTANCE (FOR SIGNAL CONTACT)	INITIAL : 70 mohm MAX. / AFTER TEST : 70 mohm MAX.
DURABILITY	10 CYCLES
CONTACT FORCE	0.30~1.10 N
COPLANARITY	0.08 MAX.
PRODUCT SPECIFICATION	PRS-2228
TEST REPORT	TR-16041
PACKING STANDARD	PST-18051
INSTRUCTION MANUAL	HIM-19019
APPEARANCE CRITERIA No.	QLS-A***

Rev.4

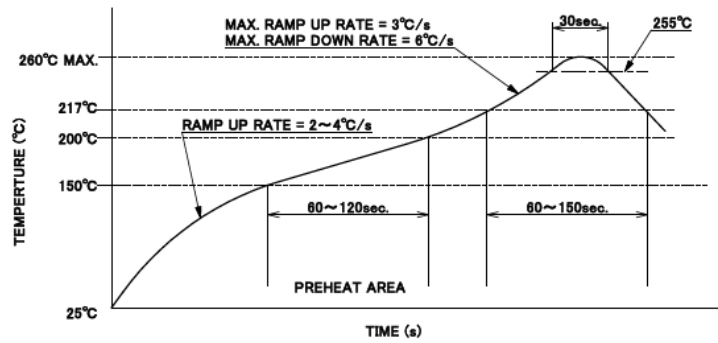
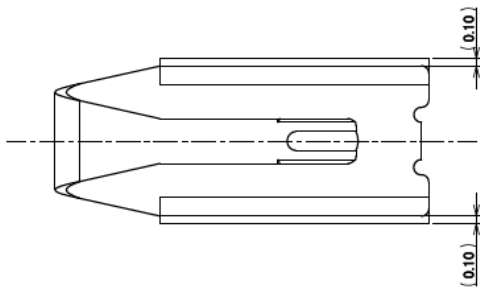


RECOMMENDED FOOTPRINT PATTERN LAYOUT



RECOMMENDED METAL MASK LAYOUT
METAL MASK THICKNESS : 0.10mm

Rev.4



Rev.4



Copyright © I-PEX Inc. 2020. All rights reserved.

I-PEX, MHF, CABLINE, NOVASTACK, EVAFLEX, MINIFLEX, ISH, IARPB, IASLP, ESTORQ, i-Fit and ISFIT are registered trademarks of I-PEX Inc. Please note that the contents in the catalog might be changed without prior notification. I-PEX Inc. assumes no responsibility for any inaccuracies or obligation to update Information on these documents. Please be sure to read and understand the latest "Precautions for Use" and "Instruction Manual" before you use our products. We shall not be responsible for any defects, damages or troubles in case you use our products without following the precautions for use. Please feel free to contact our sales representatives when you use our products for any applications that require very high reliability and safety, or that relate to human life (ex. nuclear power control, aerospace, transportation, medical equipment, safety equipment etc.).

Contact your sales representative for more detailed information. [i-pex.com]