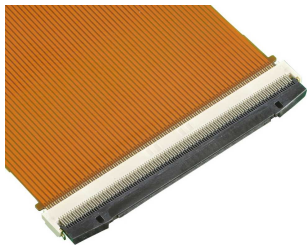


MINIFLEX® 2-BF

0.2 mm pitch, Horizontal mating, Backflip, (0.9 mm)



- ✓ Up to 120 positions with only 0.9 mm height
- ✓ Hold down to prevent actuator drop off
- ✓ Structure to prevent contact distortion

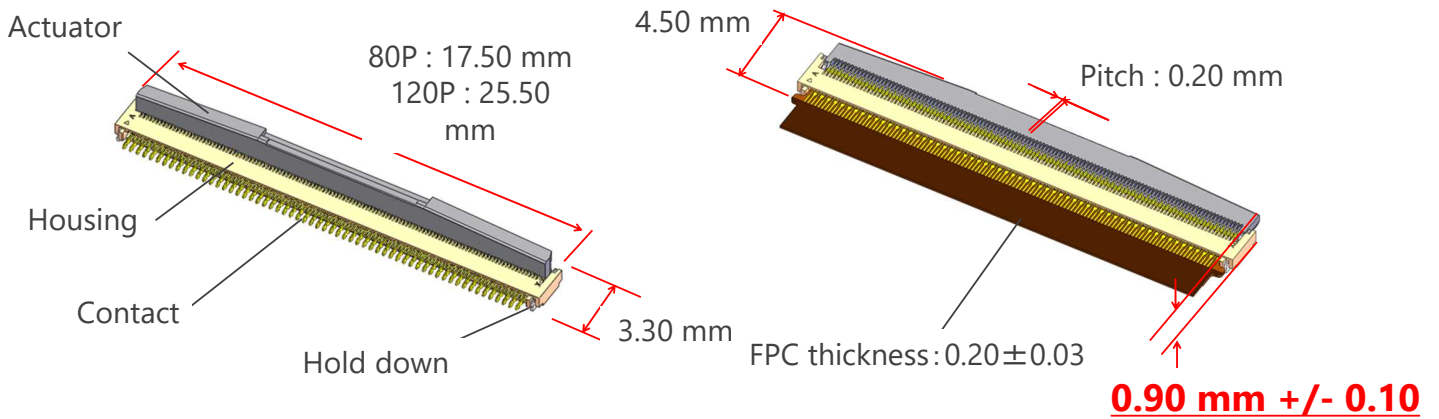
Pin counts:

Range	Up to 120
Available	80,100,120

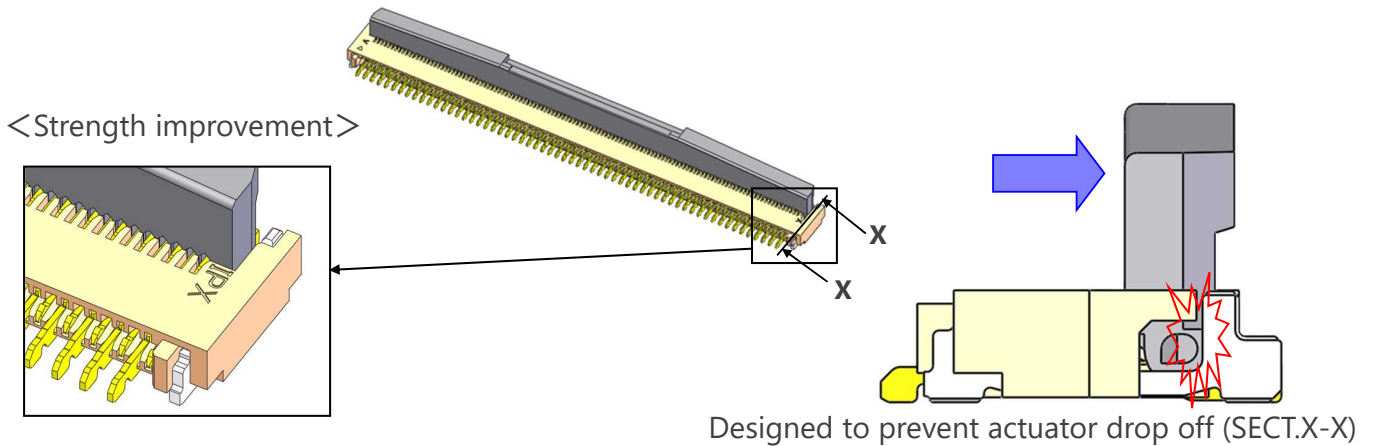
*Please inquire for pin counts not listed or outside of the pin count range.

Part Number		20617
Contact Pitch (mm)		0.20
Board Pitch (mm)		0.40
Pin Count	Range	80-120 (even)
	Available	80,100,120
Height (mm)		0.90+/-0.10
Width Formula (mm)		1.5+(0.2*p)
Depth (mm)	Actuator Open	3.30
	Actuator Close	4.50
Wiping length (mm)	Contact A	0.95
	Contact B	0.45
FPC Insertion Depth (mm)		1.40
FPC Thickness (mm)		0.2+/-0.03
Current Rating		0.2A/pin
Contact Point		Top and Bottom
Compatibility		Original

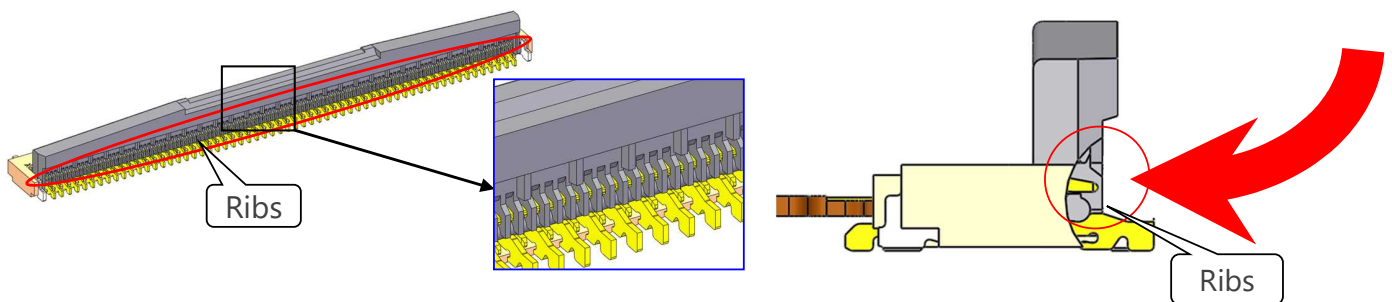
Up to 120 Positions with Only 0.9 mm Height



Hold Down to Prevent Actuator Drop Off



Structure to Prevent Contact Distortion



When opening the actuator, the ribs will prevent the contacts from being pulled up.

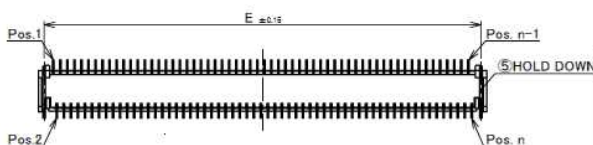
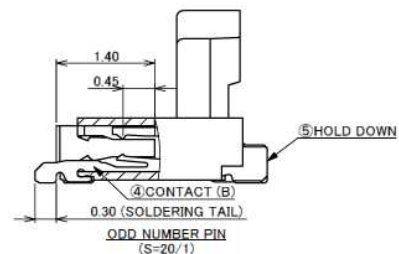
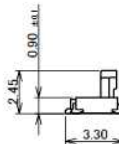
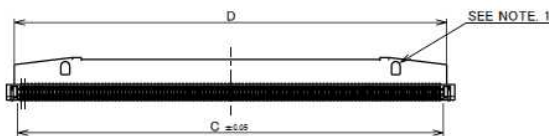
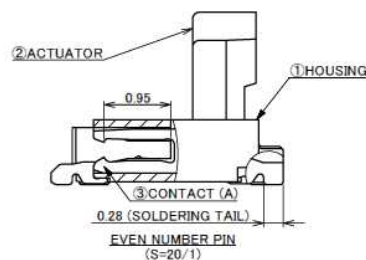
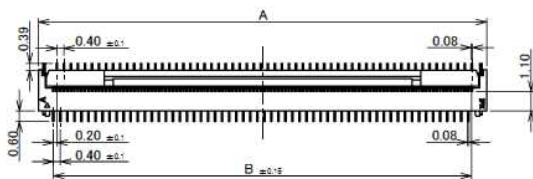
MINIFLEX[®] 2-BF

Component Parts Detail

Connector Assembly :

Recommended P/N	20617-***E-01					
PART NO.	Pos.	A	B	C	D	E
20617-080E-01	80	17.50	15.80	16.22	16.60	16.85
20617-100E-01	100	21.50	19.80	20.22	20.60	20.85
◆20617-110E-01	110	23.50	21.80	22.22	22.60	22.85
20617-120E-01	120	25.50	23.80	24.22	24.60	24.85

◆MARK MEANS NOT AVAILABLE.

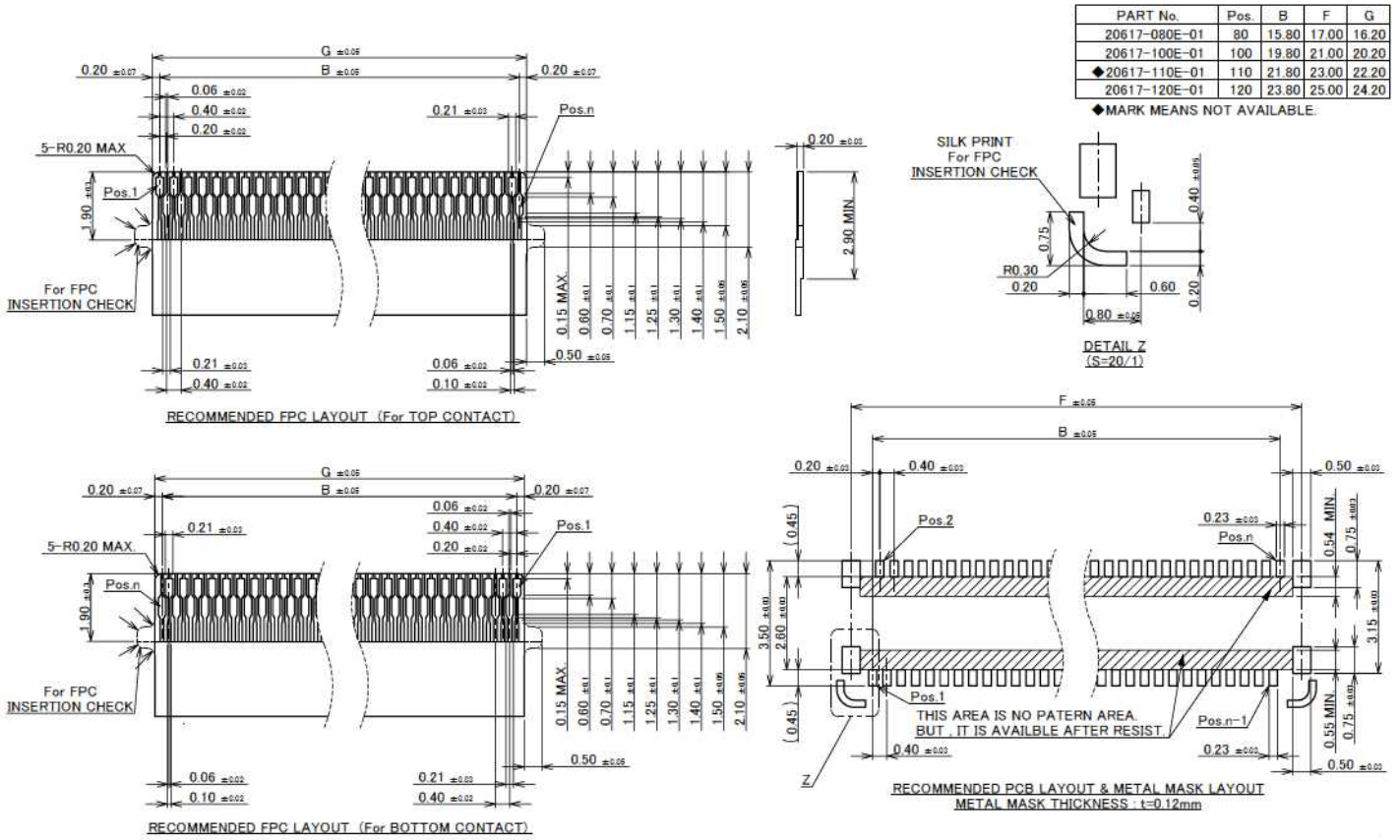


NO.	DISCRIPTION	MATERIAL	FINISH , REMARKS
5	HOLD DOWN	BRASS	SOLDERING AREA : Au 0.03 μm MIN. OVER Ni 1.00 μm MIN.
4	CONTACT(B)	PHOSPHOR BRONZE	CONTACT AREA&SOLDERING AREA : Au 0.03 μm MIN. OVER Ni 1.00 μm MIN.
3	CONTACT(A)	PHOSPHOR BRONZE	CONTACT AREA&SOLDERING AREA : Au 0.03 μm MIN. OVER Ni 1.00 μm MIN.
2	ACTUATOR	LCP	UL94V-0 BLACK
1	HOUSING	LCP	UL94V-0 BEIGE

- NOTES.
- This dent shape is purposed for good injection quality. This dent shape will not affect connector function. Dent shape shown on drawing is just for reference. Dent shape and quantity might change from different pin count and different tooling.
 - CONTACT POINT : TOP AND BOTTOM CONTACT.

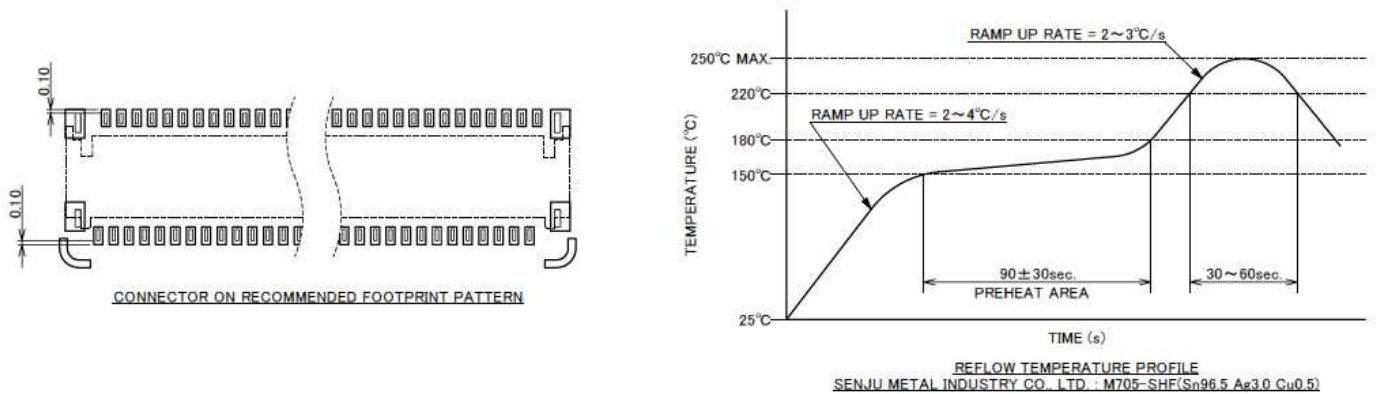
Rev.10

Connector Assembly :



Rev.10

Connector Assembly :



Rev.10

Plug Shell Assembly :

ITEMS	SPECIFICATION
RATING VOLTAGE	50V AC (PER CONTACT)
RATING AMPERAGE	0.2A DC (PER CONTACT)
OPERATING TEMPERATURE	233~358K(-40°C~+85°C)
OPERATING HUMIDITY	85% MAX.(NON-CONDENSING)
CONTACT RESISTANCE	INITIAL : 100mohm MAX. / AFTER TEST : \triangle 40mohm MAX.
INSULATION RESISTANCE	INITIAL : 100Mohm MIN. / AFTER TEST : 100Mohm MIN.
DIELECTRIC WITHSTANDING VOLTAGE	AC150V 1min
DURABILITY	20 CYCLES
ACTUATOR LOCKING FORCE (INITIAL / 20TH CYCLES)	INITIAL: 0.2N (20.4gf) \times n MAX. 20 CYCLES : 0.2N (20.4gf) \times n MAX.
ACTUATOR UNLOCKING FORCE (INITIAL / 20TH CYCLES)	INITIAL: 0.014N (1.4gf) \times n MIN. 20 CYCLES : 0.014N (1.4gf) \times n MIN.
FPC RETENTION FORCE (INITIAL / 20TH CYCLES)	INITIAL: 0.2N (20.4gf) \times n MIN. 20 CYCLES : 0.2N (20.4gf) \times n MIN.
COPLANARITY	0.10 MAX.
PRODUCT SPECIFICATION	PRS-2319
TEST REPORT	TR-16128
PACKING STANDARD	PST-16121
INSTRUCTION MANUAL	HIM-16031
APPEARANCE CRITERIA No.	QLS-A***

※ "n" IS THE NUMBER OF PIN

Rev.10



Copyright © I-PEX Inc. 2020. All rights reserved.

I-PEX, MHF, CABLINE, NOVASTACK, EVAFLEX, MINIFLEX, ISH, IARPB, IASLP, ESTORQ, i-Fit and ISFIT are registered trademarks of I-PEX Inc. Please note that the contents in the catalog might be changed without prior notification. I-PEX Inc. assumes no responsibility for any inaccuracies or obligation to update Information on these documents. Please be sure to read and understand the latest "Precautions for Use" and "Instruction Manual" before you use our products. We shall not be responsible for any defects, damages or troubles in case you use our products without following the precautions for use. Please feel free to contact our sales representatives when you use our products for any applications that require very high reliability and safety, or that relate to human life (ex. nuclear power control, aerospace, transportation, medical equipment, safety equipment etc.).

Contact your sales representative for more detailed information. [i-pex.com]

202105R0