

# MHF® I (4 pads receptacle)

带有额外第 4 个焊盘的 MHF® I 母座在通过回流焊安装在电路板上时可改善中心对齐，并增加焊料剪切力

**Product Specifications:**

Mated Height (mm max.)	(1) (2) 2.5 (3) 3.0		
Rece. SMT Size (mm)	3.1 x 3.0		
Applicable Frequency	DC ~ 9 GHz		
Characteristic Impedance	50 ohm		
VSWR (L=100 mm)	Connector	PLUG	RECEPTACLE
	DC ~ 3 GHz	1.3 max.	1.3 max.
	3 ~ 6 GHz	1.5 max.	1.4 max.
	6 ~ 9 GHz	(1) 1.9 max. (2)(3) 1.6 max.	1.8 max.

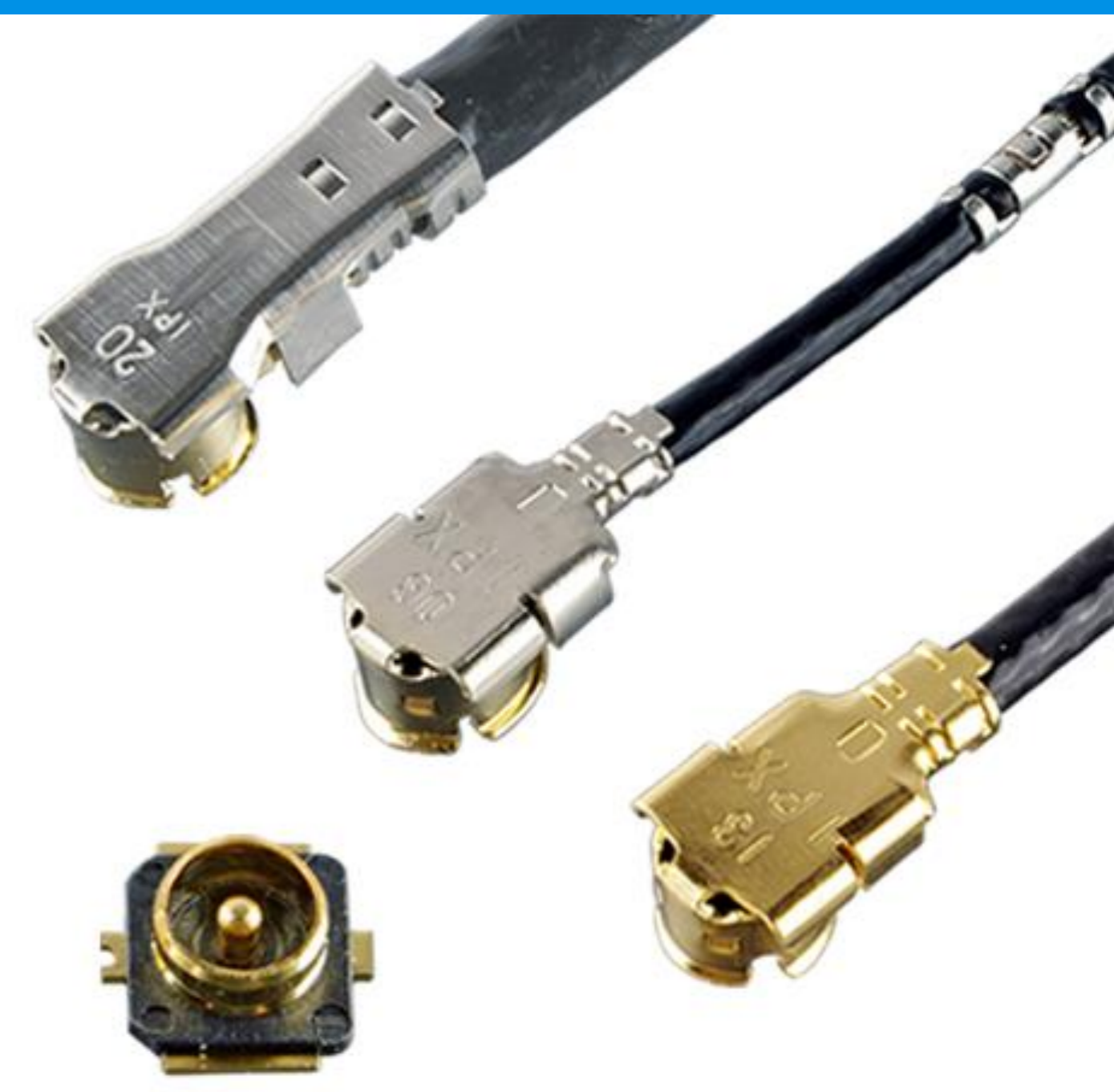
\* Cable size O.D. (1) 0.81 mm, 1.13mm, 1.37 mm, 1.80 mm (2) 1.32 mm (3) 2.0 mm

**Applicable Cable Size:**

**20278-112R-\*\*, 20670-001R-\*\***  
 O.D. 1.80 mm / AWG 30  
 O.D. 1.32 mm, 1.13 mm / AWG 32  
 O.D. 0.81 mm / AWG 36  
**20351-112R-37**  
 O.D. 1.37 mm / AWG 30  
**20767-001R-20**  
 O.D. 2.0 mm / AWG 26

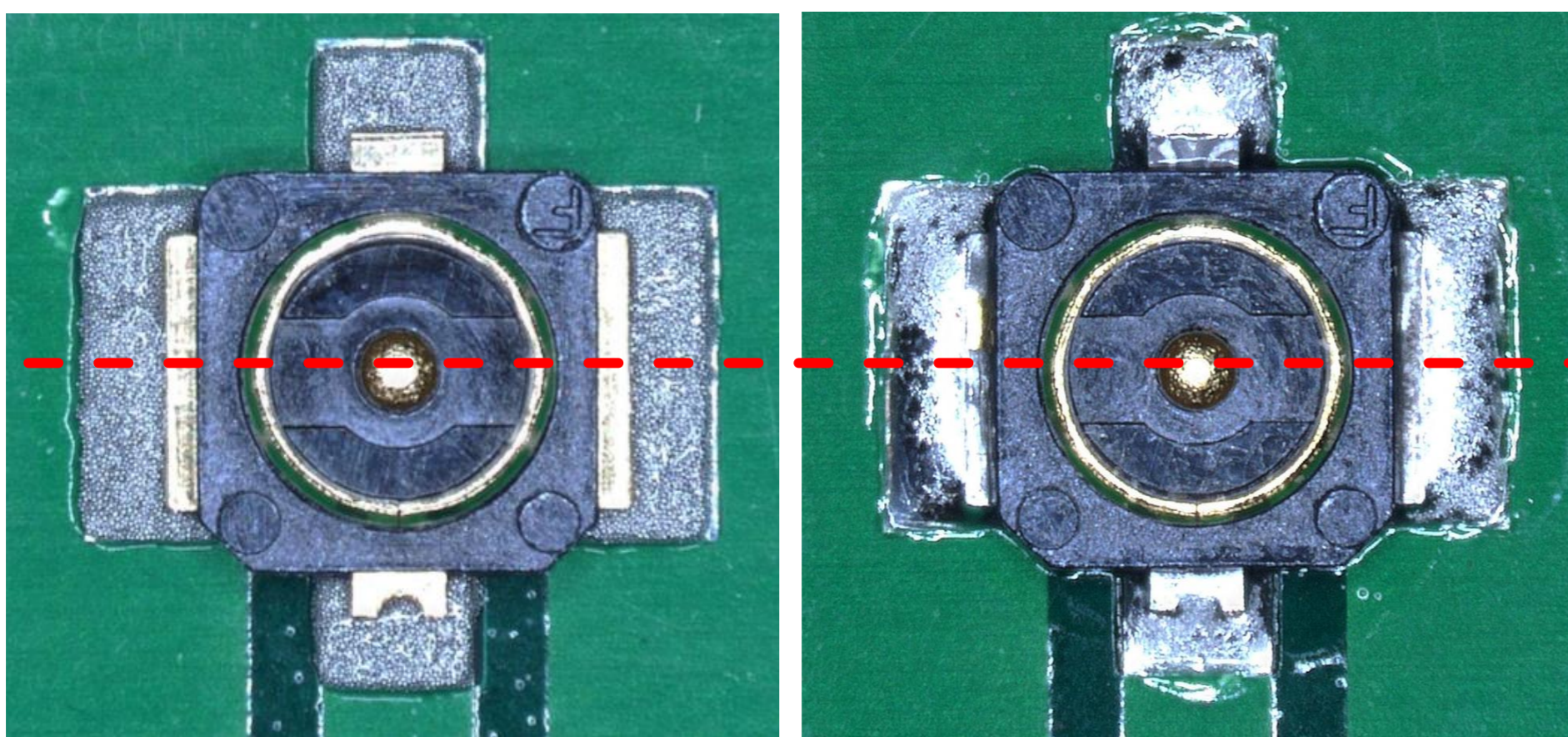
**Applicable Standards (Reference Only):**

5G sub-6, Wi-Fi 6E, LTE/LTE-Advanced, LPWA, Bluetooth, GPS



## 通过增加焊盘改善中心校准

### 4个焊盘的母座



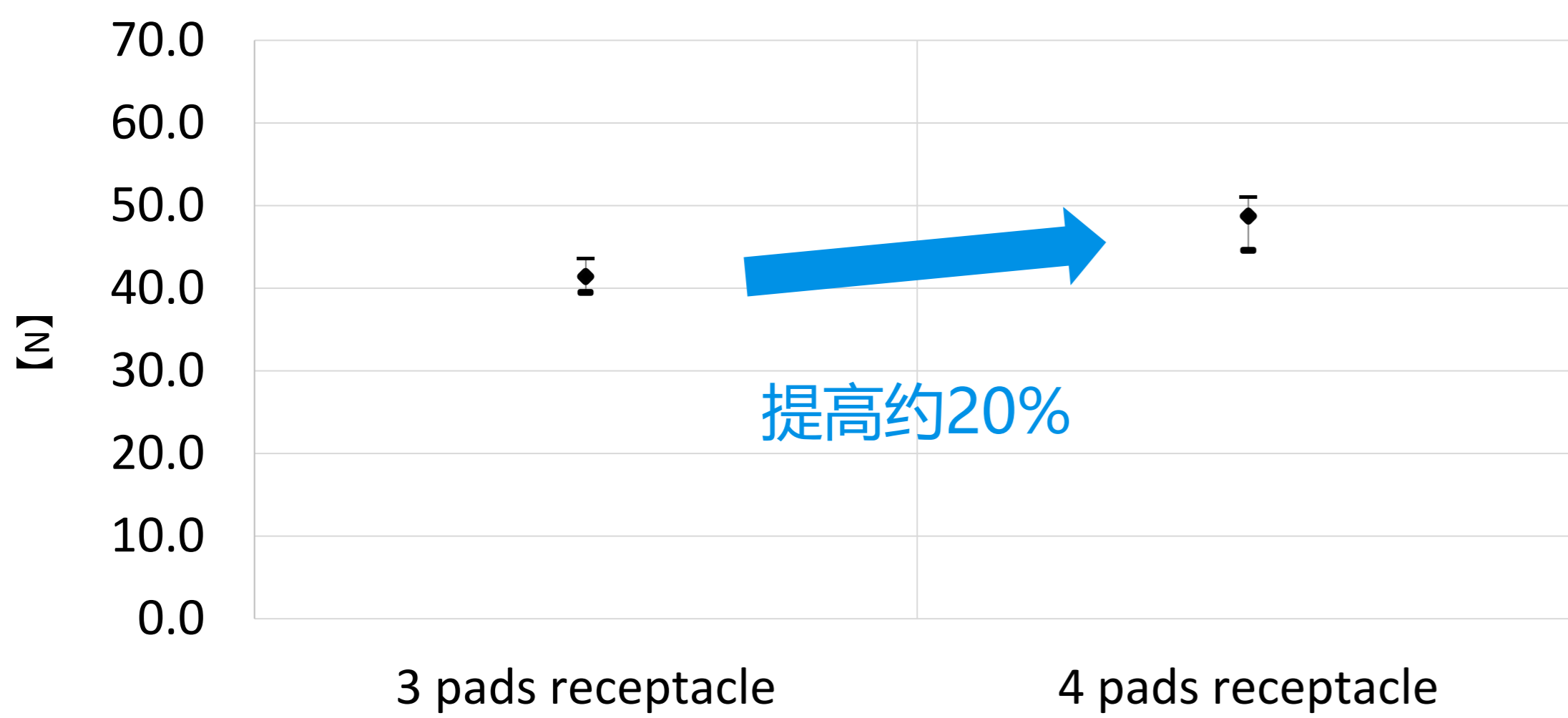
回流焊前

回流焊后

- ✓ 提高实施过程的质量
- ✓ 实现接近理想中的射频电路设计
- ✓ 允许使用射频线束进行精确定位

## 通过增加焊盘提高焊锡剪切力

MHF® I Receptacle Solder Shear Strength



与带锁扣的连接器完美结合  
适用于连续冲击和振动应用!

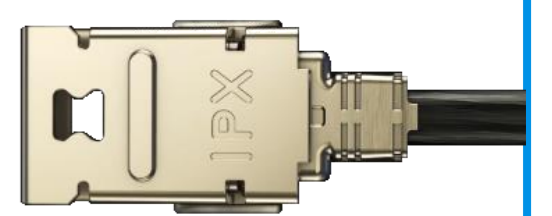
MHF® I  
4个焊盘母座



MHF® I LK  
线束



上锁状态



解锁状态

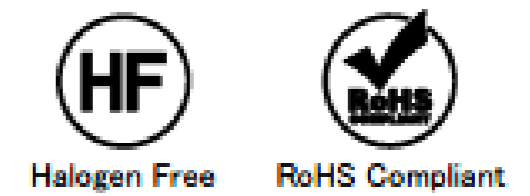
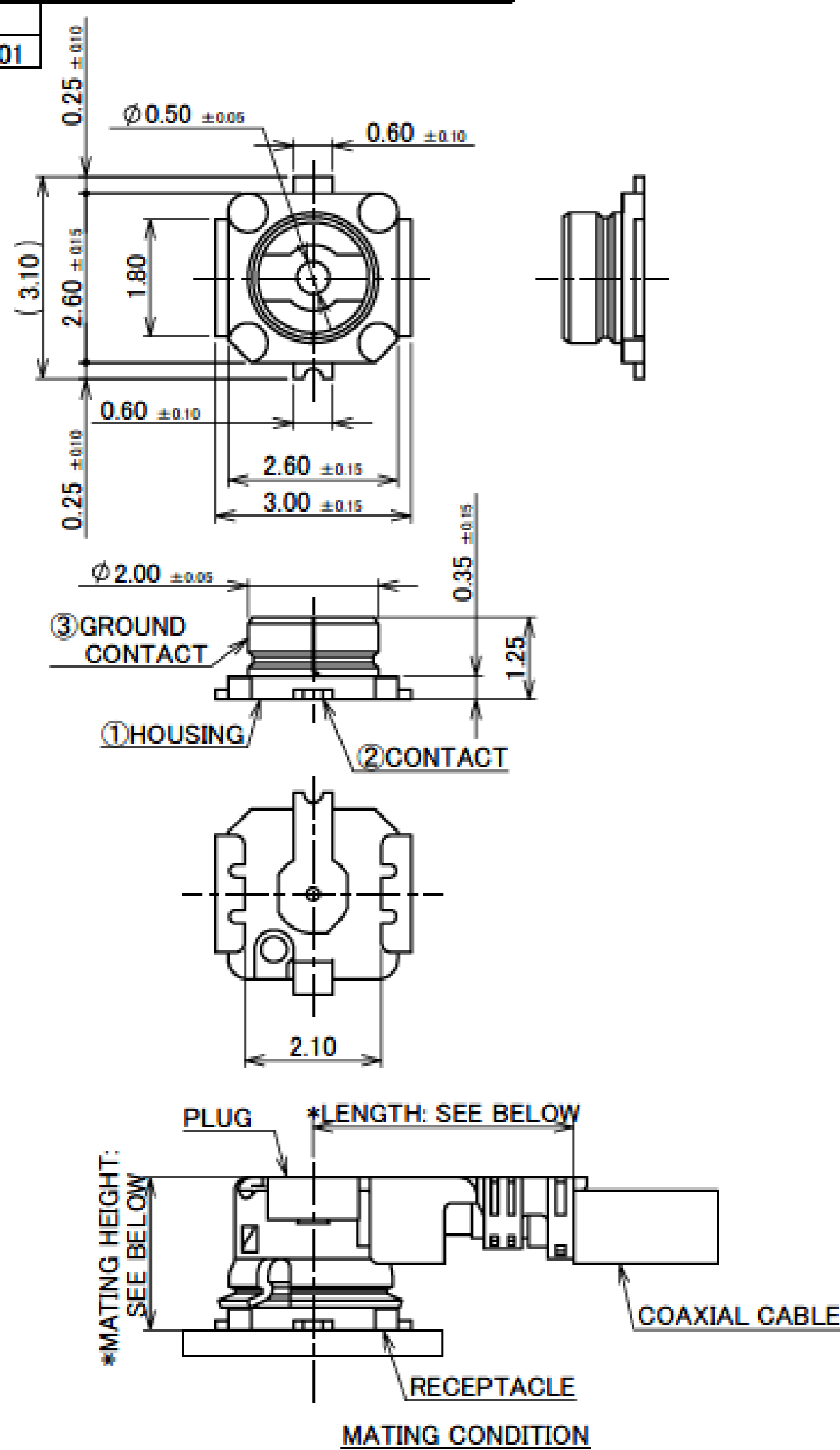
## 可匹配 MHF® I 系列各种电缆外径和附加机械锁扣选项

Product name	MHF® I LK	MHF® I	MHF® I
Lock	With Lock	Without Lock	Without Lock
Mating Height	2.9 mm max.	2.5 mm max.	3.0 mm max.
Coax O.D. (Center Conductor AWG)	2.00 mm (AWG#26)		●
	1.80 mm (AWG#30)	●	●
	1.37 mm (AWG#30)	●	●
	1.32 mm (AWG#32)	●	●
	1.13 mm (AWG#32)	●	●
	0.81 mm (AWG#36)	●	●
Receptacle	MHF® I receptacle 20279-001E-** (3 pads) / 20441-001E-01 (4 pads)		

# Component Parts Details

## MHF® I Receptacle (4pads/Black color HSG)

Recommended P/N	20441-001E-01
PART No.	20441-001E-01

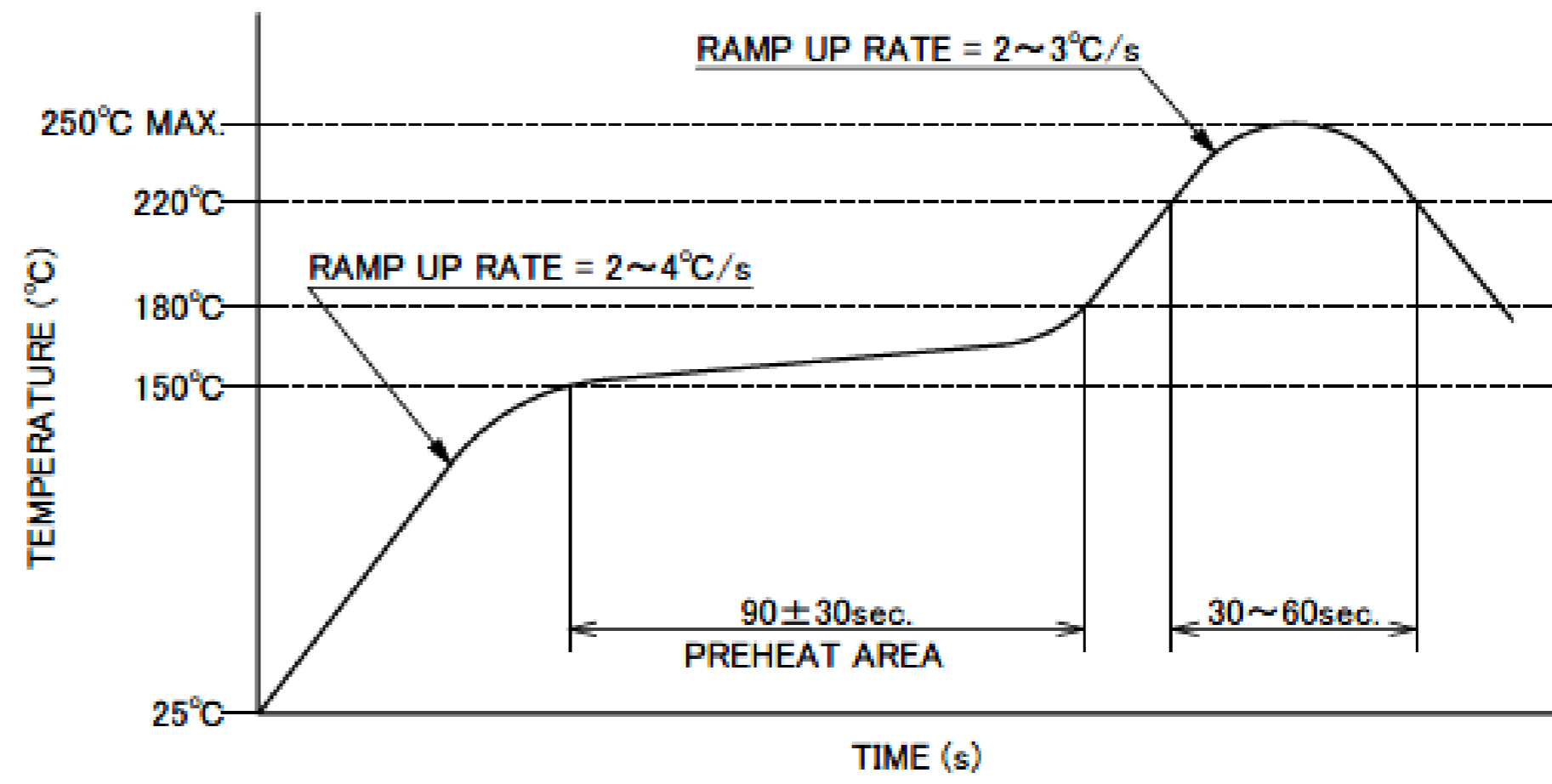
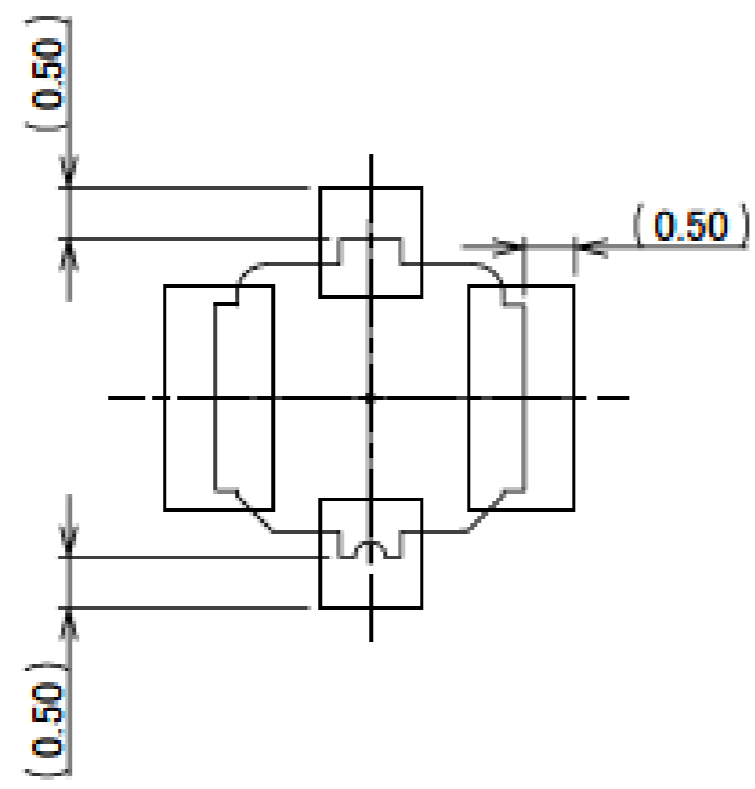
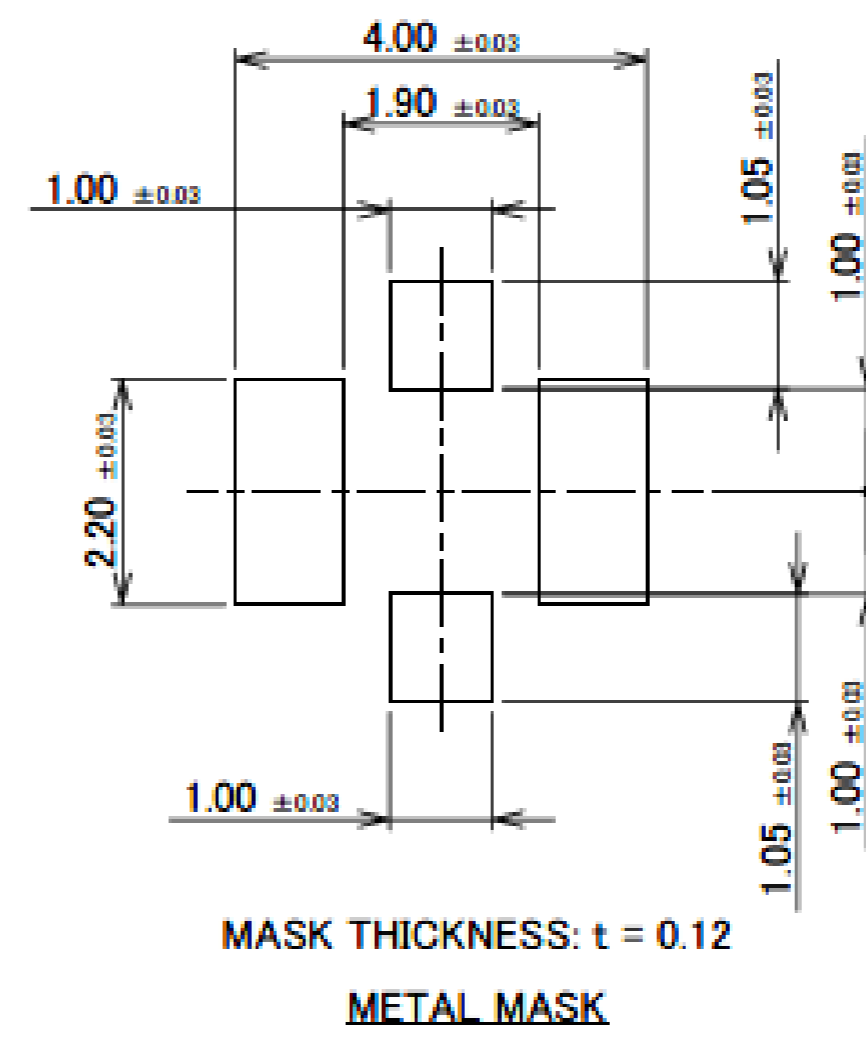
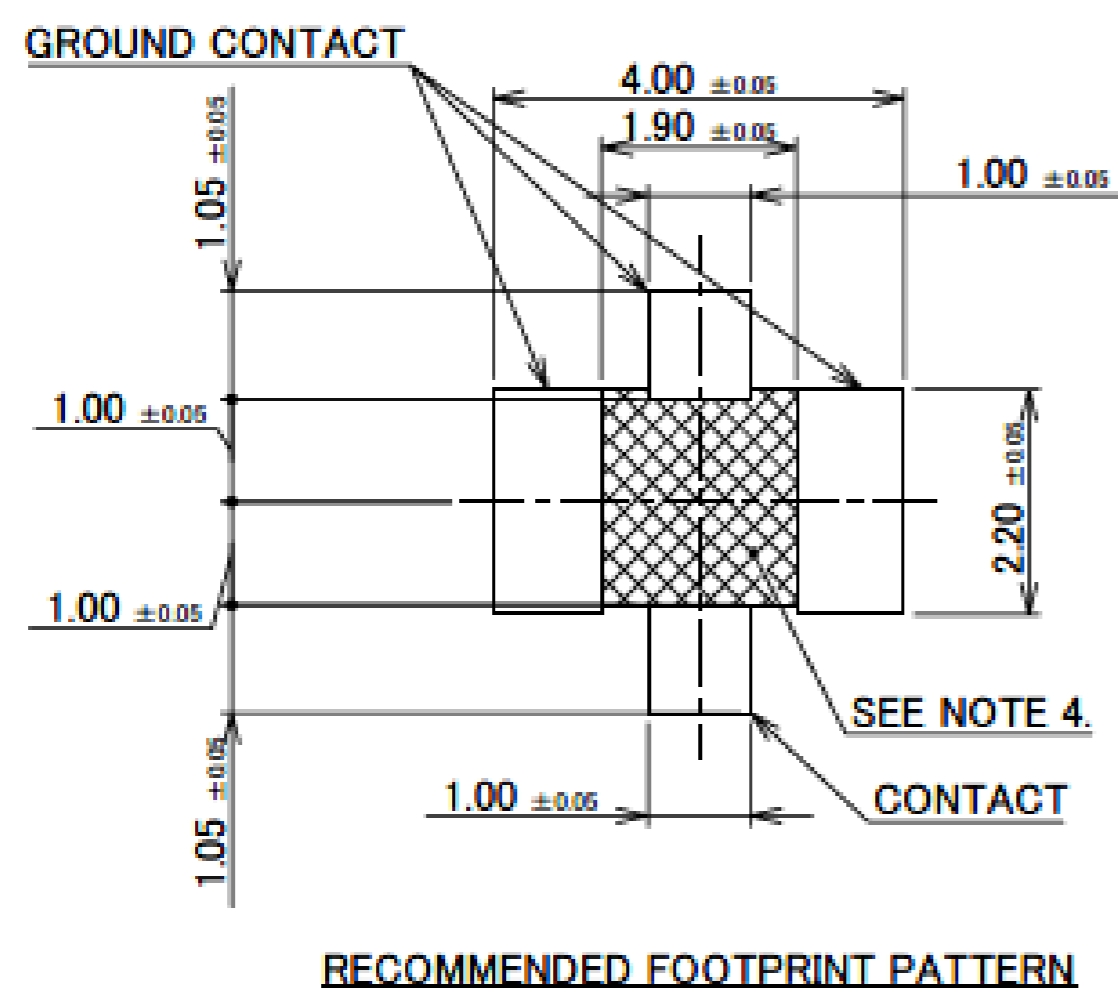


- NOTES.
1. APPLICABLE CONNECTOR PART NUMBER:  
20278-112R-\*\*-\*\*  
20351-1\*\*R-37  
20670-001R-\*\*-\*\*  
20767-001R-20
  2. COPLANARITY: 0.1mm MAX.
  3. THIS IS "Pb-FREE" CONNECTOR.

NO.	DISCRIPTION	MATERIAL	FINISH , REMARKS
3	GROUND CONTACT	PHOSPHOR BRONZE	ALL OVER Ni 1.00 μ m MIN. CONTACT PART Au 0.03 μ m MIN. SOLDERING PART Au 0.03 μ m MIN.
2	CONTACT	BRASS	ALL OVER Ni 1.00 μ m MIN. CONTACT PART Au 0.10 μ m MIN. SOLDERING PART Au 0.03 μ m MIN.
1	HOUSING	LCP	UL94V-0, BLACK

- \*LENGTH: 4.0 ± 0.4 AT PLUG PART NO. 20670-001R-08, 20670-001R-13, 20670-001R-32  
4.7 ± 0.4 AT PLUG PART NO. 20670-001R-18, 20670-001R-37  
5.6 AT PLUG PART NO. 20767-001R-20 (REFERENCE DIMENSION)  
\*MATING HEIGHT: 2.5 MAX. AT PLUG PART NO. 20670-001R-\*\*-\*\*  
(2.9 MAX. AT MHF I LK LOCKED CONDITION)  
3.0 MAX. AT PLUG PART NO. 20767-001R-20

# MHF® I Receptacle (4pads/Black color HSG)

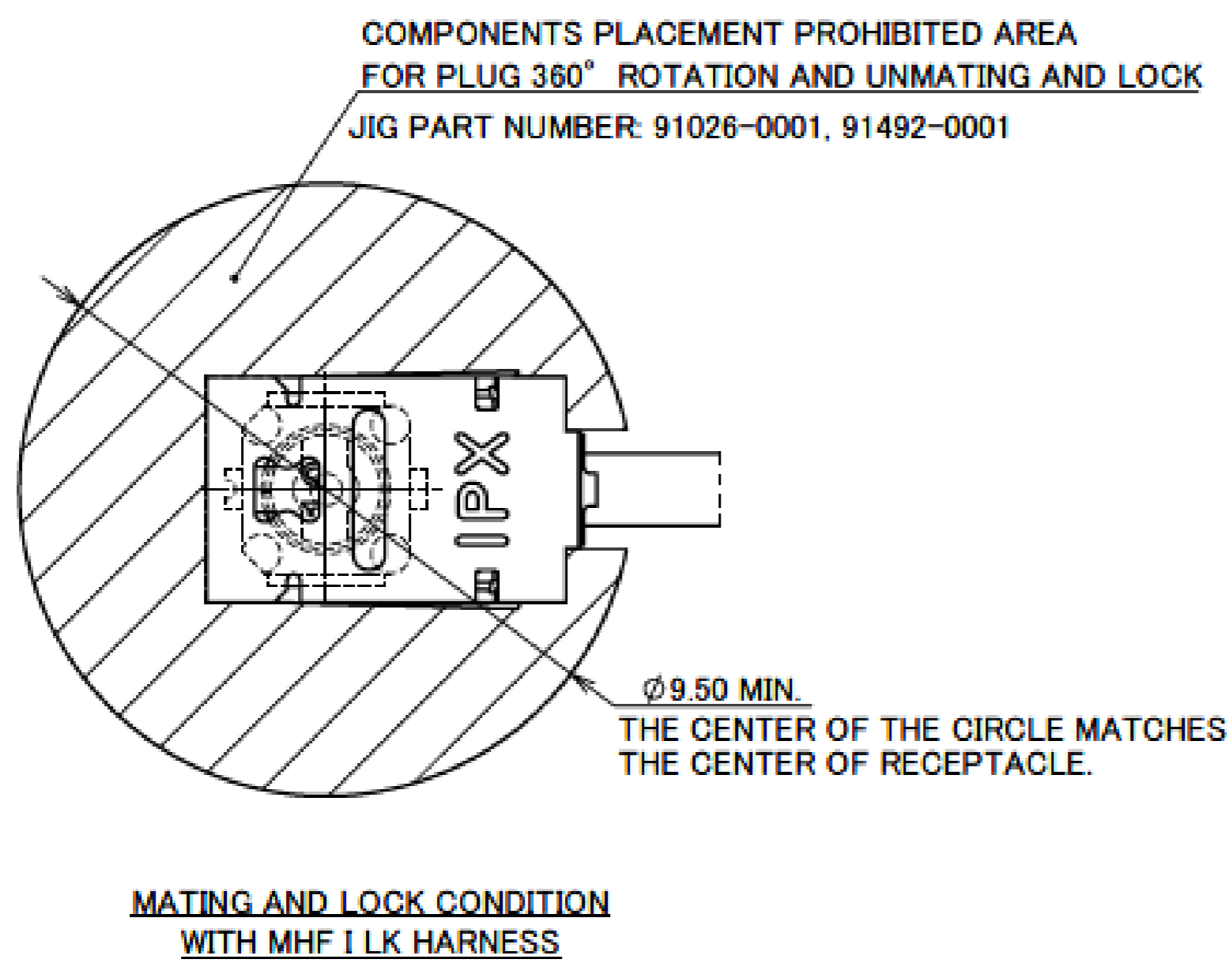


NOTE  
4. NO GROUND, SIGNAL, RESIST IN THIS AREA.

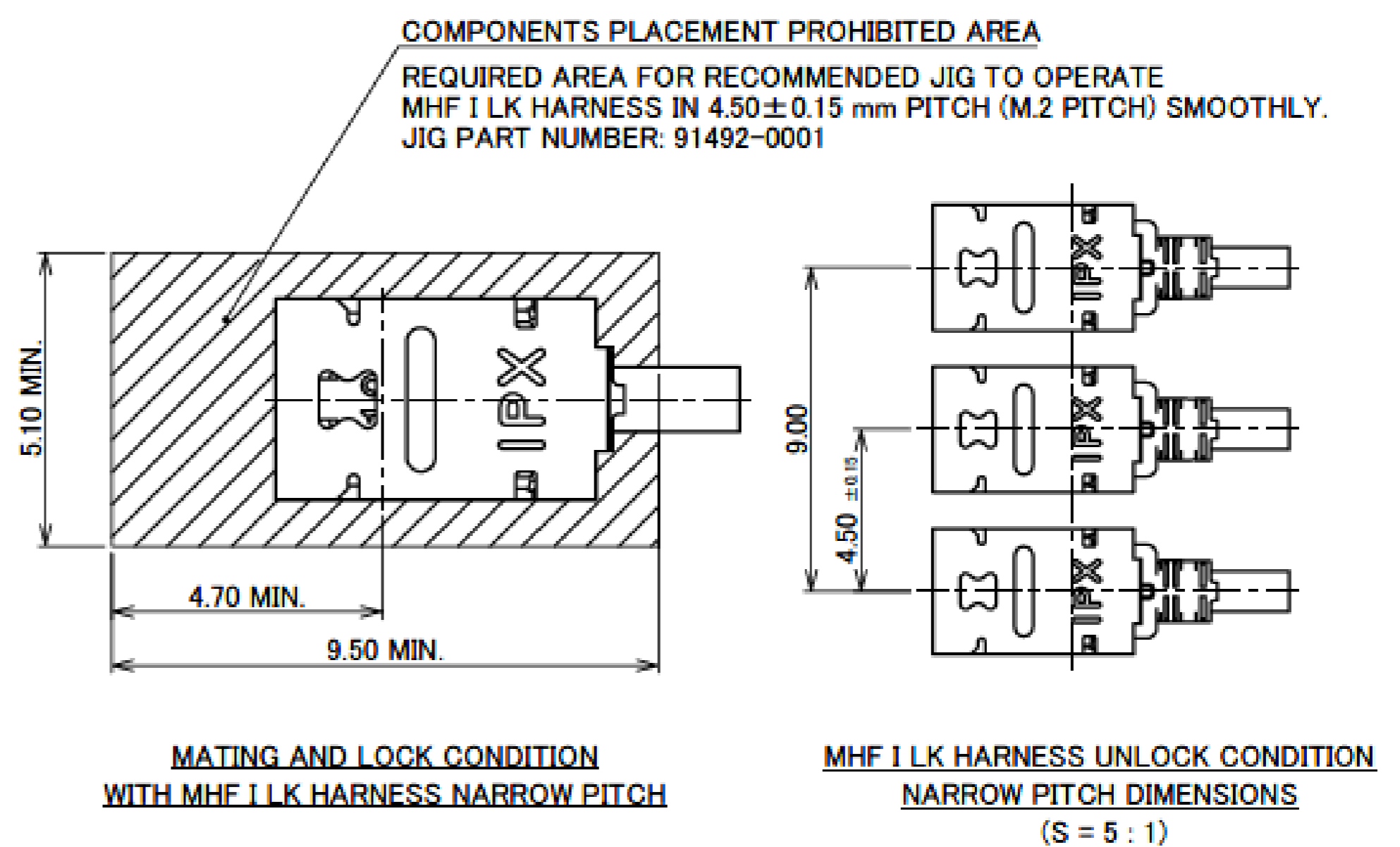
Rev.8

## COMPONENT PLACEMENT PROHIBITED AREA FOR MHF I RECEPTACLE MATED WITH MHF I LK HARNESS REQUIRED AREA FOR RECOMMENDED JIG TO OPERATE

### SINGLE CONNECTOR LAYOUT



### MULTIPLE CONNECTORS LAYOUT



Rev.8

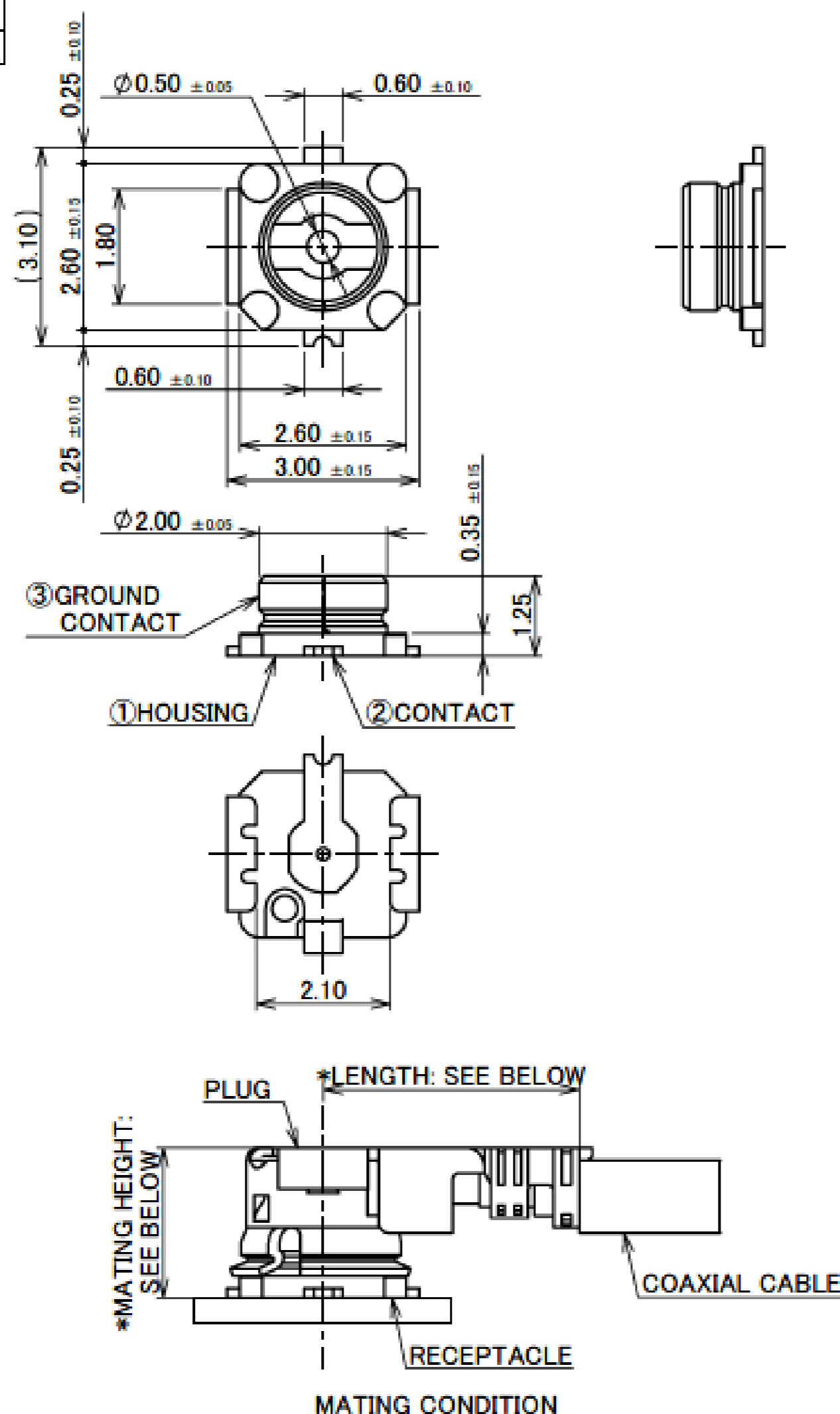
# MHF® I Receptacle (4pads/Black color HSG)

ITEMS	SPECIFICATION			
	20278-001R-**-** (MHF I PLUG 1.80, 1.32, 1.13, 0.81)	20351-001R-**-** (MHF I PLUG 1.37)	20670-001R-**-** (MHF I PLUG Ni TOP 1.80, 1.37, 1.32, 1.13, 0.81)	20767-001R-20 (MHF I PLUG 2.00)
RECOMMENDED APPLICABLE CONNECTOR PART NO.				
RATING VOLTAGE	60 V AC (R.M.S)			
RATING FREQUENCY	DC~9GHz			
OPERATING TEMPERATURE	233~363K (-40°C~+90°C)			
VSWR (MATED WITH SMA ADAPTER PART No.90193-002)	RECEPTACLE: 1.30 MAX. AT 0.1~3 GHz, 1.40 MAX. AT 3~6 GHz, 1.80 MAX. AT 6~9 GHz			
MAIN CONTACT RESISTANCE	INITIAL : 20 mohm MAX. AFTER TEST : 25 mohm MAX.		INITIAL : 20 mohm MAX. AFTER TEST : $\Delta$ R 20 mohm MAX.	
GROUND CONTACT RESISTANCE	INITIAL : 10 mohm MAX. AFTER TEST : 15 mohm MAX.		INITIAL : 20 mohm MAX. AFTER TEST : $\Delta$ R 100 mohm MAX.	
INSULATION RESISTANCE	INITIAL: 500 Mohm MIN. / AFTER TEST: 100 Mohm MIN.			
DIELECTRIC WITHSTANDING VOLTAGE	200 V AC, 1 MINUTE			
DURABILITY	30 CYCLES			
UNMATING FORCE (INITIAL / AFTER TEST)	INITIAL: 5 N MIN. AFTER TEST: 3 N MIN.			
PRODUCT SPECIFICATION	PRS-1676	PRS-1726	PRS-2105	PRS-2490
TEST REPORT	TR-12044	TR-12096	TR-15059	TR-18041
PACKING STANDARD	300-596			
INSTRUCTION MANUAL	HIM-10002			HIM-17017
APPEARANCE CRITERIA No.	QLS-A***			

Rev.8

# MHF® I Receptacle (4pads/Natural color HSG)

Recommended P/N	20431-001E-01
PART No.	20431-001E-01



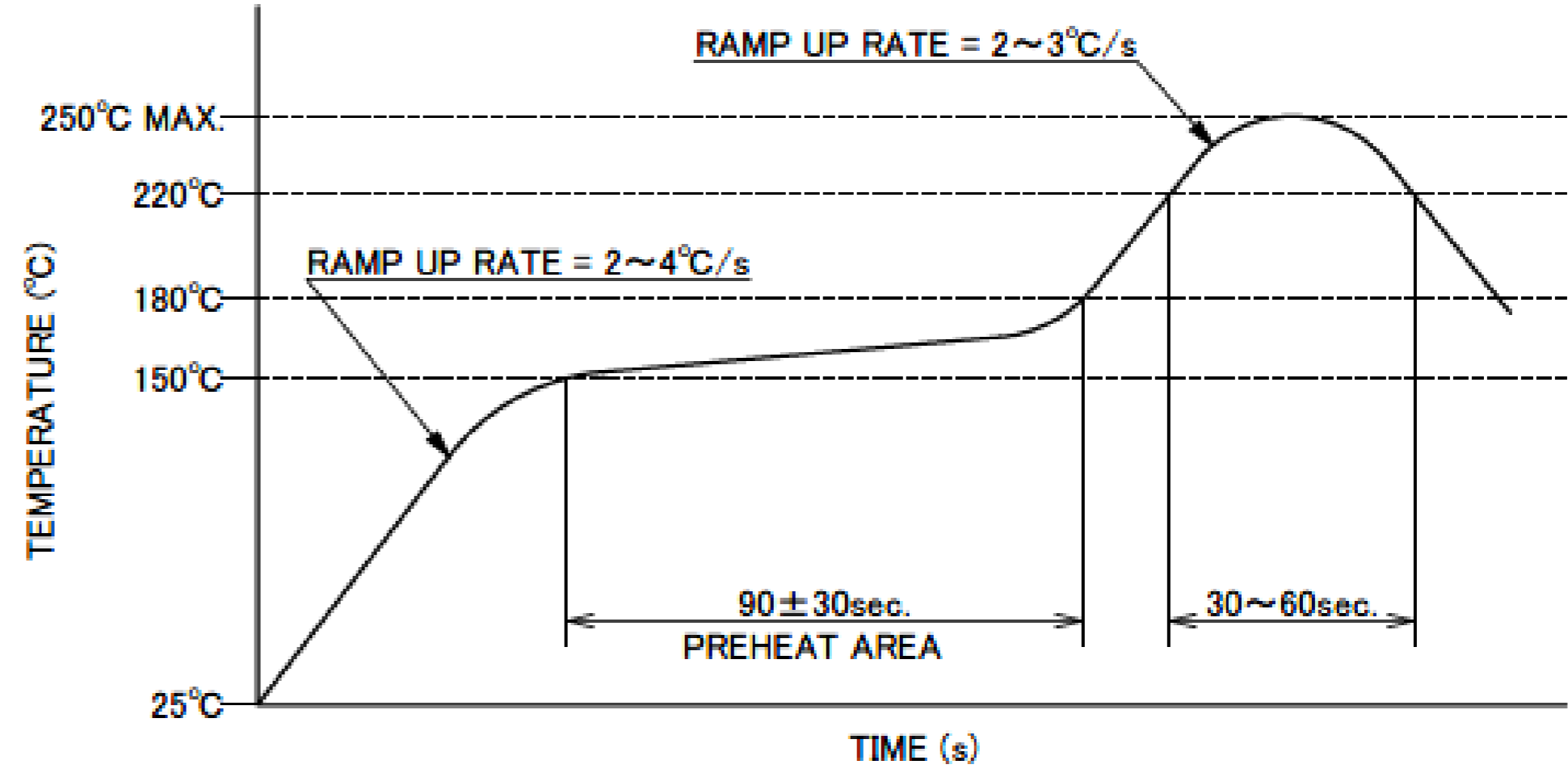
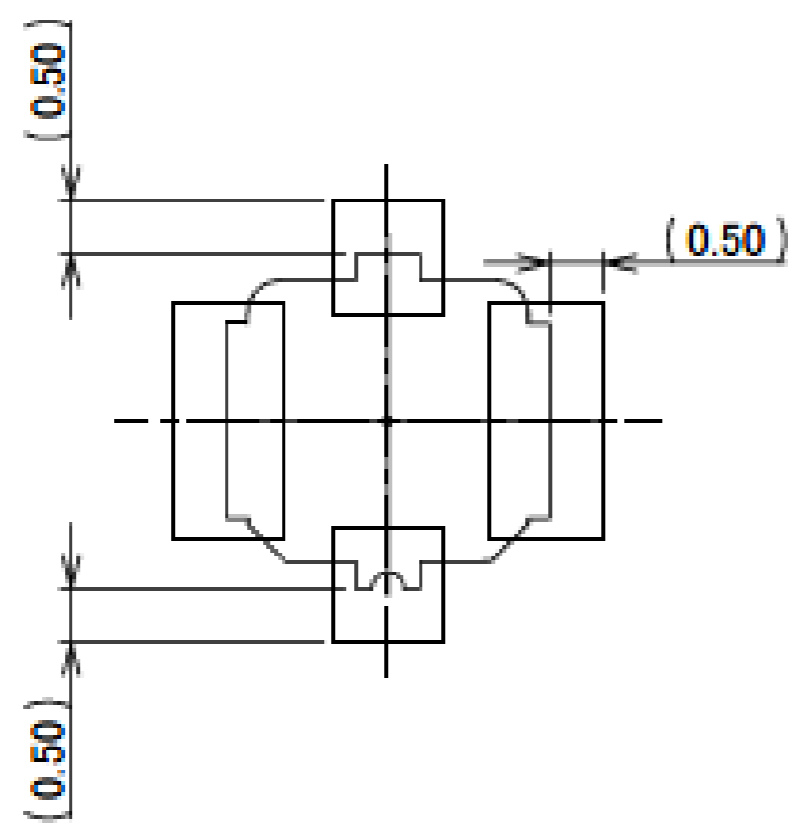
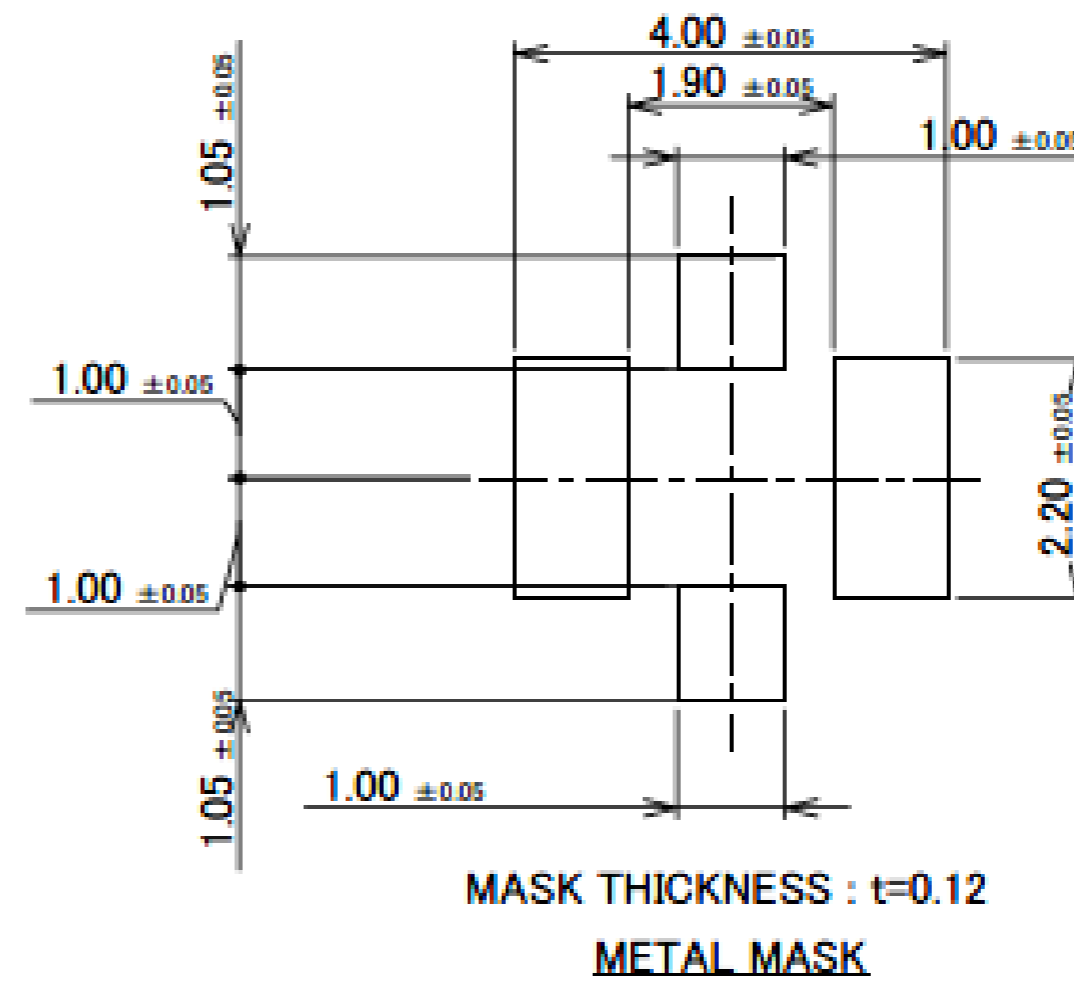
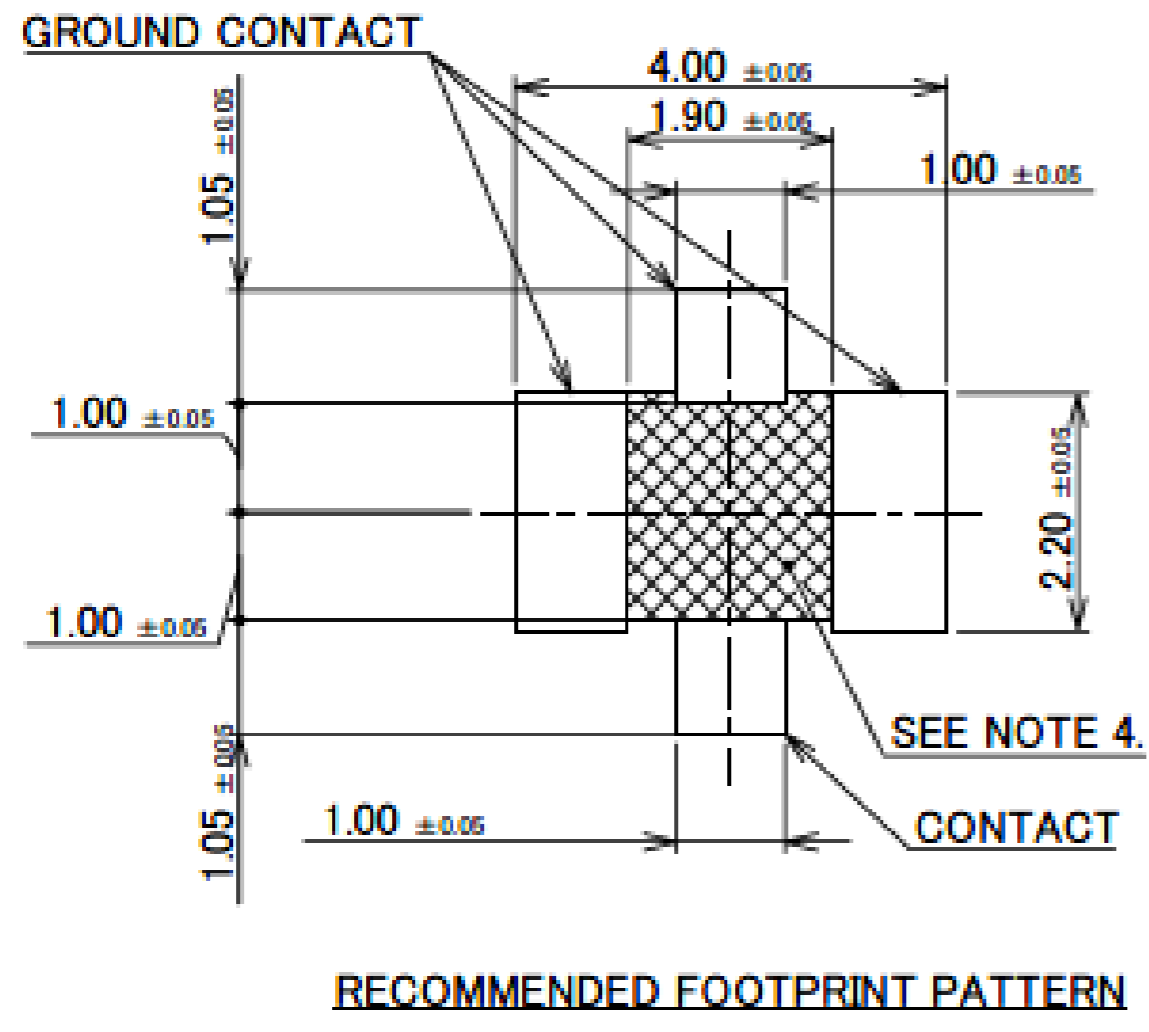
- NOTES.
- APPLICABLE CONNECTOR PART NUMBER:  
20278-112R-\*\*-\*\*  
20351-1\*\*R-37  
20670-001R-\*\*-\*\*  
20767-001R-20
  - COPLANARITY: 0.1mm MAX.
  - THIS IS "Pb-FREE" CONNECTOR.

NO.	DISCRIPTION	MATERIAL	FINISH . REMARKS
3	GROUND CONTACT	PHOSPHOR BRONZE	ALL OVER Ni 1.00 $\mu$ m MIN. CONTACT PART Au 0.03 $\mu$ m MIN. SOLDERING PART Au 0.03 $\mu$ m MIN.
2	CONTACT	BRASS	ALL OVER Ni 1.00 $\mu$ m MIN. CONTACT PART Au 0.10 $\mu$ m MIN. SOLDERING PART Au 0.03 $\mu$ m MIN.
1	HOUSING	LCP	UL94V-0, NATURAL

- \*LENGTH: 4.0±0.4 AT PLUG PART NO. 20670-001R-08, 20670-001R-13, 20670-001R-32  
4.7±0.4 AT PLUG PART NO. 20670-001R-18, 20670-001R-37  
5.6 AT PLUG PART NO. 20767-001R-20 (REFERENCE DIMENSION)  
\*MATING HEIGHT: 2.5 MAX. AT PLUG PART NO. 20670-001R-\*\*-\*\*  
(2.9 MAX. AT MHF I LK LOCKED CONDITION)  
3.0 MAX. AT PLUG PART NO. 20767-001R-20

Rev.6

# MHF® I Receptacle (4pads/Natural color HSG)

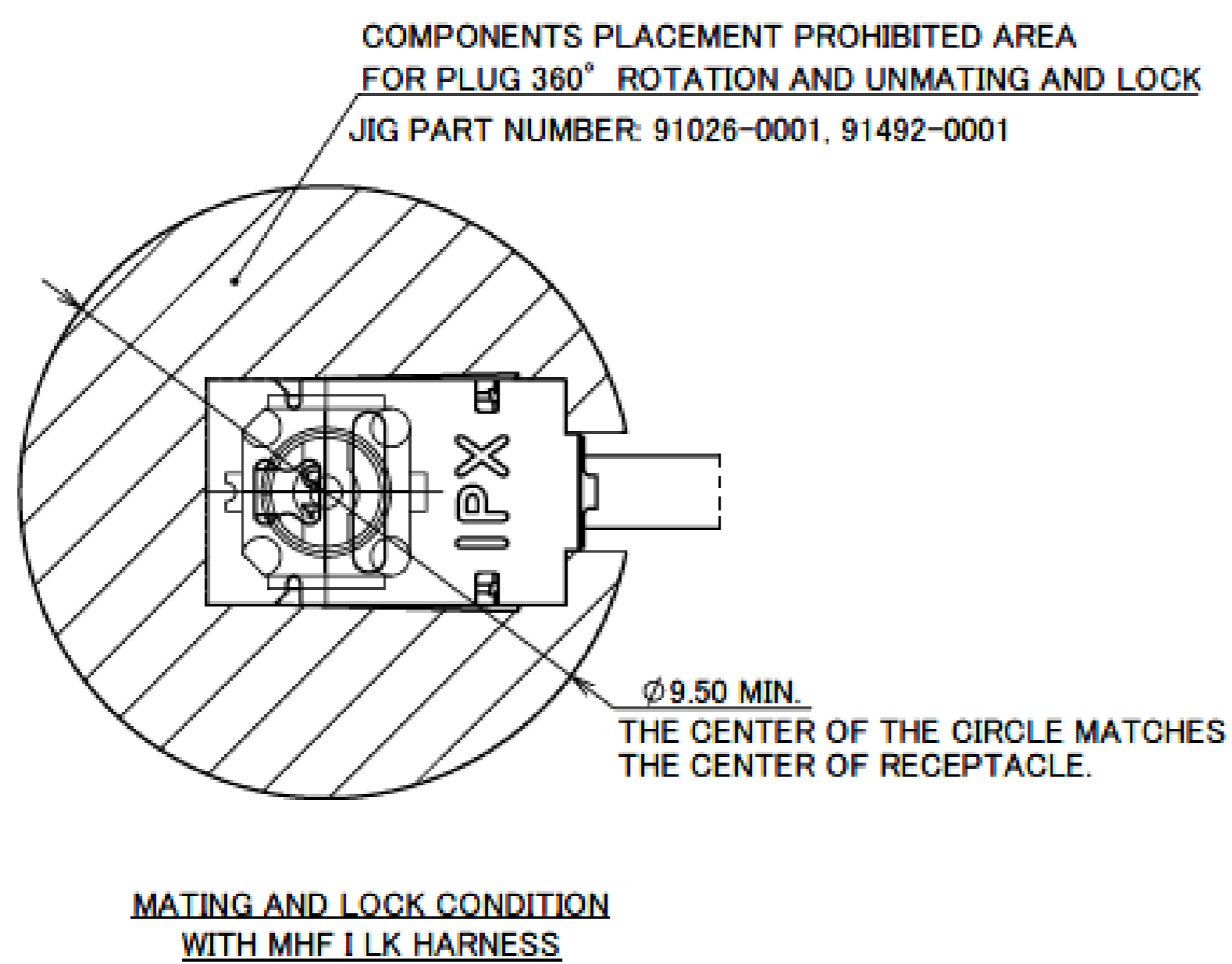


NOTES.  
4. NO GROUND, SIGNAL, RESIST IN THIS AREA.

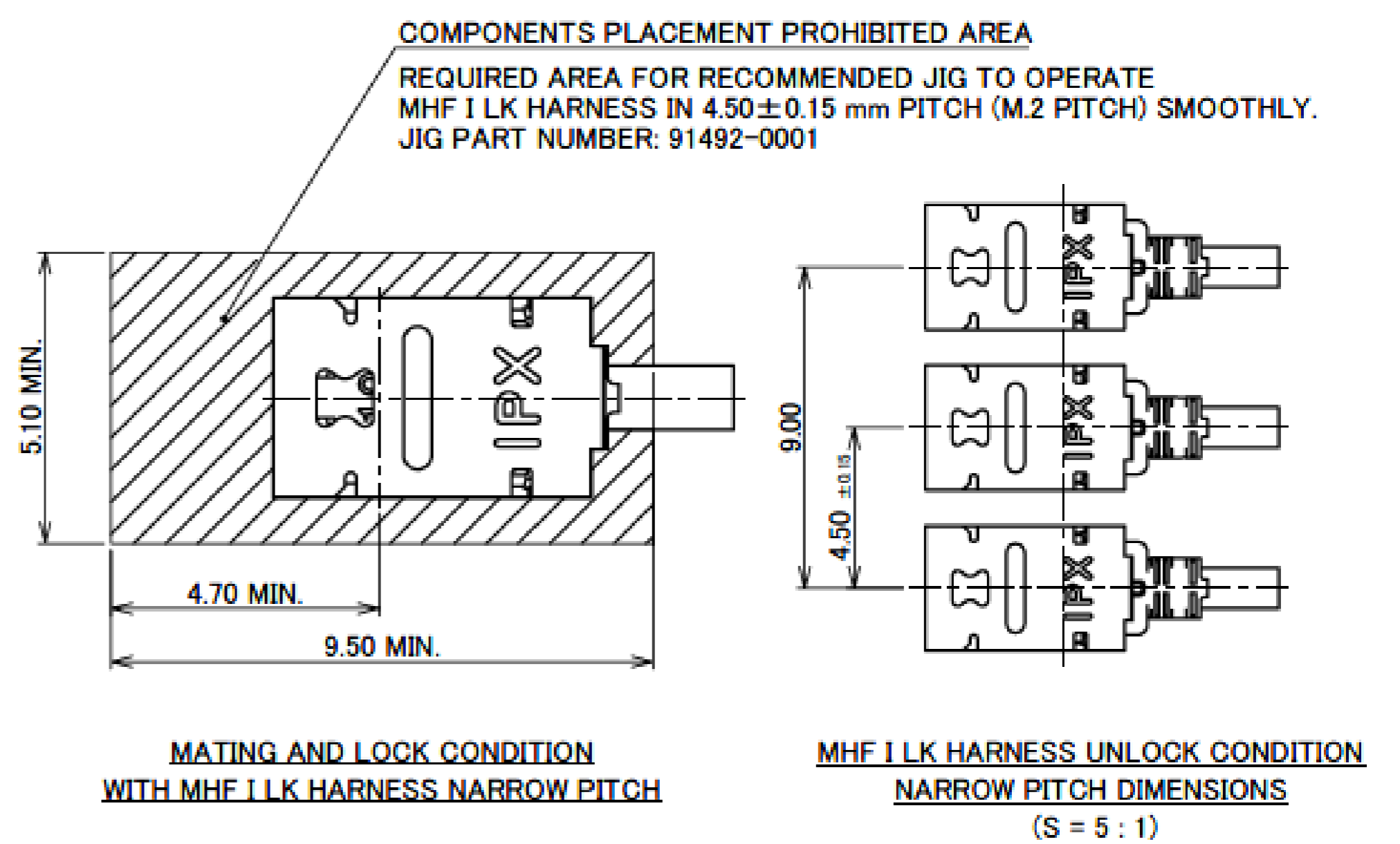
Rev.6

## COMPONENT PLACEMENT PROHIBITED AREA FOR MHF I RECEPTACLE MATED WITH MHF I LK HARNESS REQUIRED AREA FOR RECOMMENDED JIG TO OPERATE

### SINGLE CONNECTOR LAYOUT



### MULTIPLE CONNECTORS LAYOUT



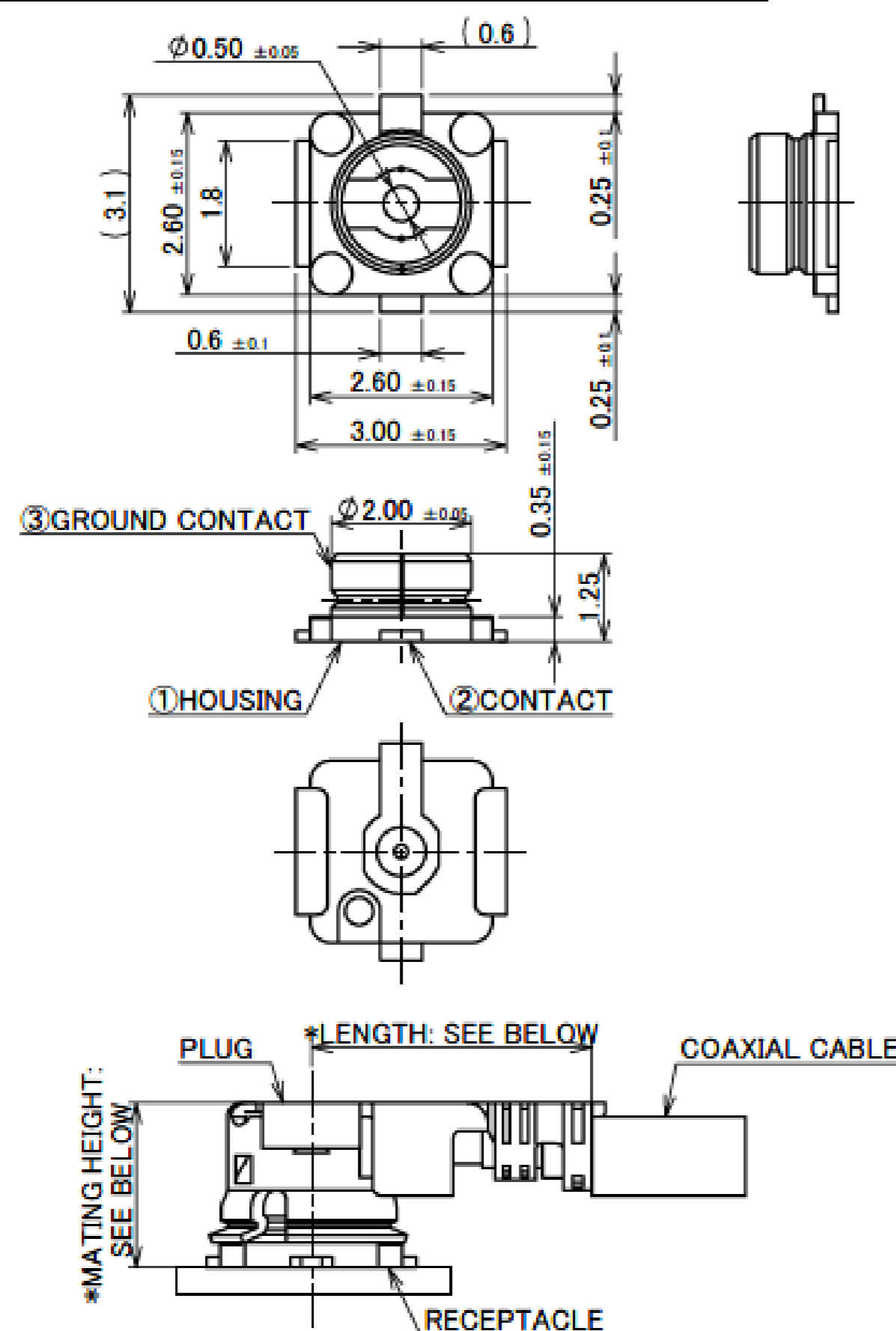
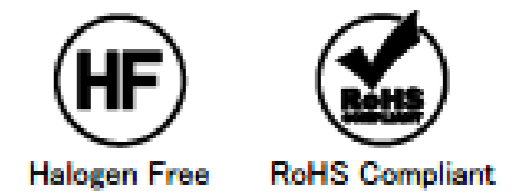
# MHF® I Receptacle (4pads/Natural color HSG)

ITEMS	SPECIFICATION			
	20278-001R-*** (MHF I PLUG 1.80, 1.32, 1.13, 0.81)	20351-001R-*** (MHF I PLUG 1.37)	20670-001R-*** (MHF I PLUG Ni TOP 1.80, 1.37, 1.32, 1.13, 0.81)	20767-001R-20 (MHF I PLUG 2.00)
RECOMMENDED APPLICABLE CONNECTOR PART NO.				
RATING VOLTAGE	60 V AC (R.M.S)			
RATING FREQUENCY	DC~9GHz			
OPERATING TEMPERATURE	233~363K (-40°C~+90°C)			
VSWR (MATED WITH SMA ADAPTER PART No.90193-002)	RECEPTACLE: 1.3 MAX AT 0.1~3 GHz, 1.4 MAX AT 3~6 GHz, 1.8 MAX. AT 6~9 GHz			
MAIN CONTACT RESISTANCE	INITIAL: 20 mohm MAX. AFTER TEST: 25 mohm MAX.		INITIAL: 20 mohm MAX. AFTER TEST: $\angle$ R 20 mohm MAX.	
GROUND CONTACT RESISTANCE	INITIAL: 10 mohm MAX. AFTER TEST: 15 mohm MAX.		INITIAL: 20 mohm MAX. AFTER TEST: $\angle$ R 100 mohm MAX.	
INSULATION RESISTANCE	INITIAL: 500 Mohm MIN. / AFTER TEST: 100 Mohm MIN.			
DIELECTRIC WITHSTANDING VOLTAGE	200 V AC, 1 MINUTE			
DURABILITY	30 CYCLES			
UNMATING FORCE (INITIAL / AFTER TEST)	INITIAL: 5 N MIN. AFTER TEST: 3 N MIN.			
PRODUCT SPECIFICATION	PRS-1676	PRS-1726	PRS-2105	PRS-2490
TEST REPORT	TR-12044	TR-12096	TR-15059	TR-18041
PACKING STANDARD	PST-17011			
INSTRUCTION MANUAL	HIM-10002			HIM-17017
APPEARANCE CRITERIA No.	QLS-A***			

Rev.6

# MHF® I Receptacle (3pads)

Recommended P/N	20279-001E-03	
PART NO.	PACKING REEL	QUANTITY IN 1 REEL
20279-001E-01	PLASTIC REEL	2,500
	CORRUGATED PAPER REEL	2,500
20279-001E-03	PLASTIC REEL	5,000
20279-001E-05	PLASTIC REEL	10,000



- NOTES
- APPLICABLE CONNECTOR PART NO.  
20278-11\*R-\*\*\*  
20351-\*\*\*R-37  
20631-\*\*\*R-\*\*\*  
20670-001R-\*\*\*  
20767-001R-20
  - COPLANARITY: 0.1mm MAX.
  - THIS IS "Pb-FREE" CONNECTOR.

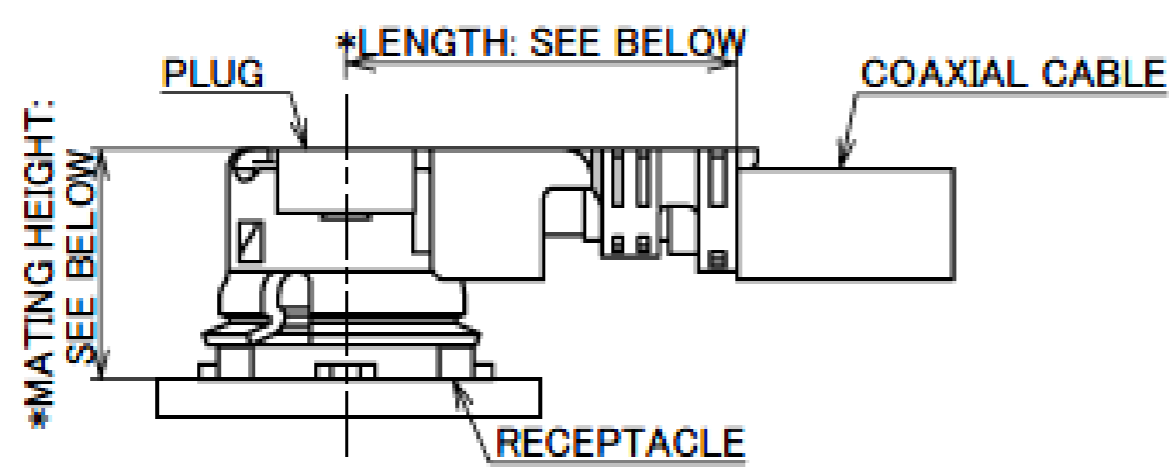
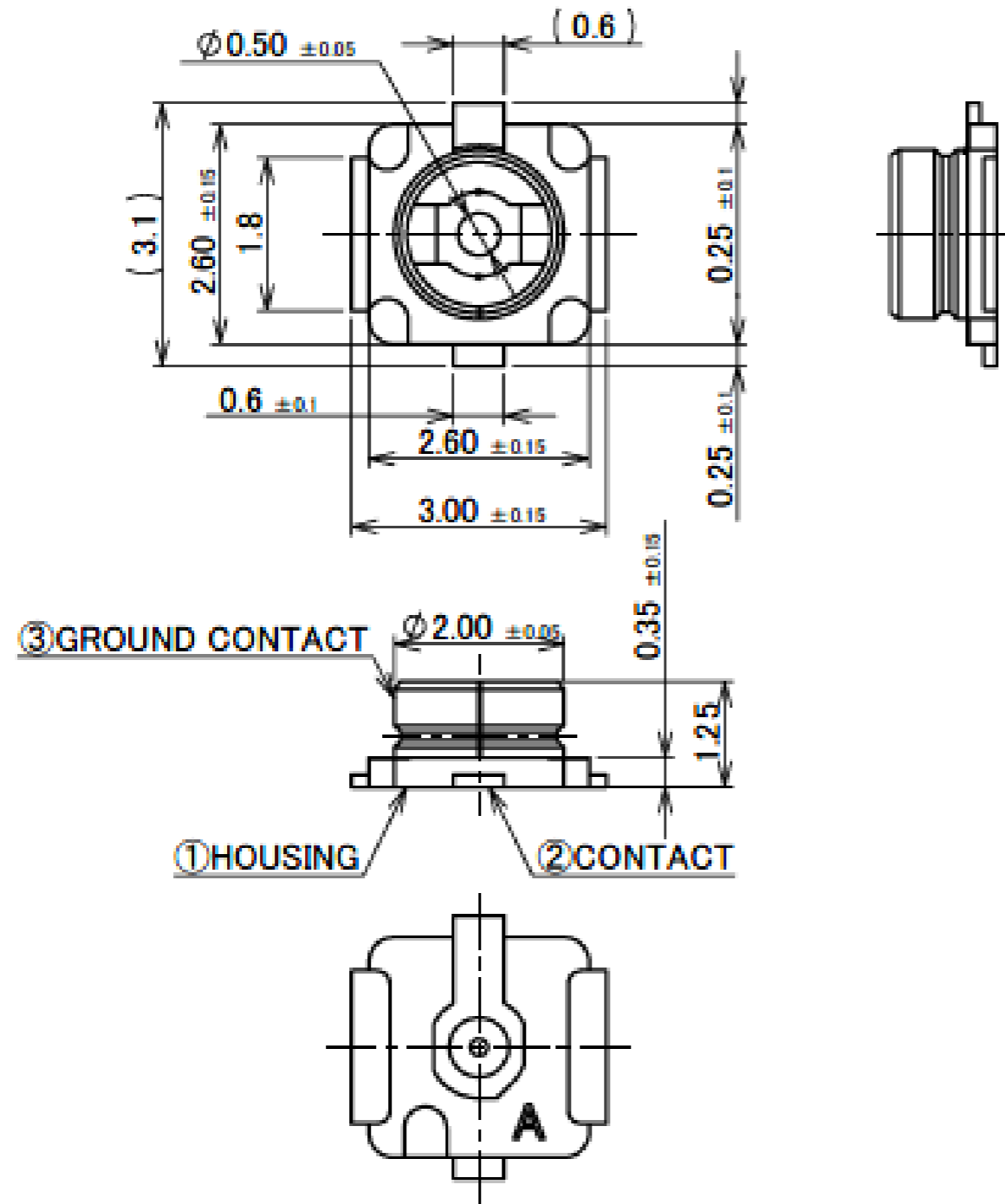
NO.	DISCRIPTION	MATERIAL	FINISH, REMARKS
3	GROUND CONTACT	PHOSPHOR BRONZE	ALL OVER Ni 1.00 μm MIN. CONTACT PART Au 0.05 μm MIN. SOLDERING PART Au 0.05 μm MIN.
2	CONTACT	BRASS	ALL OVER Ni 1.00 μm MIN. CONTACT PART Au 0.10 μm MIN. SOLDERING PART Au 0.03 μm MIN.
1	HOUSING	LCP	UL94V-0, WHITE

\*LENGTH: 4.0 ± 0.4 AT PLUG PART NO. 20670-001R-08, 20670-001R-13, 20670-001R-32  
4.7 ± 0.4 AT PLUG PART NO. 20670-001R-18, 20670-001R-37  
5.6 AT PLUG PART NO. 20767-001R-20 (REFERENCE DIMENSION)  
\*MATING HEIGHT: 2.5 MAX. AT PLUG PART NO. 20670-001R-\*\*\*  
(2.9 MAX. AT MHF I LK LOCKED CONDITION)  
3.0 MAX. AT PLUG PART NO. 20767-001R-20  
**MATING CONDITION**

Rev.33

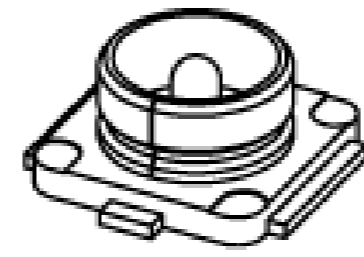
# MHF® I Receptacle (3pads)

Recommended P/N	20279-001E-03	
PART NO.	PACKING REEL	QUANTITY IN 1 REEL
20279-001E-06	PLASTIC REEL	10,000



\*LENGTH: 4.0±0.4 AT PLUG PART NO. 20670-001R-08, 20670-001R-13, 20670-001R-32  
 4.7±0.4 AT PLUG PART NO. 20670-001R-18, 20670-001R-37  
 5.6 AT PLUG PART NO. 20767-001R-20 (REFERENCE DIMENSION)  
 \*MATING HEIGHT: 2.5 MAX. AT PLUG PART NO. 20670-001R-\*\*  
 (2.9 MAX. AT MHF I LK LOCKED CONDITION)  
 3.0 MAX. AT PLUG PART NO. 20767-001R-20

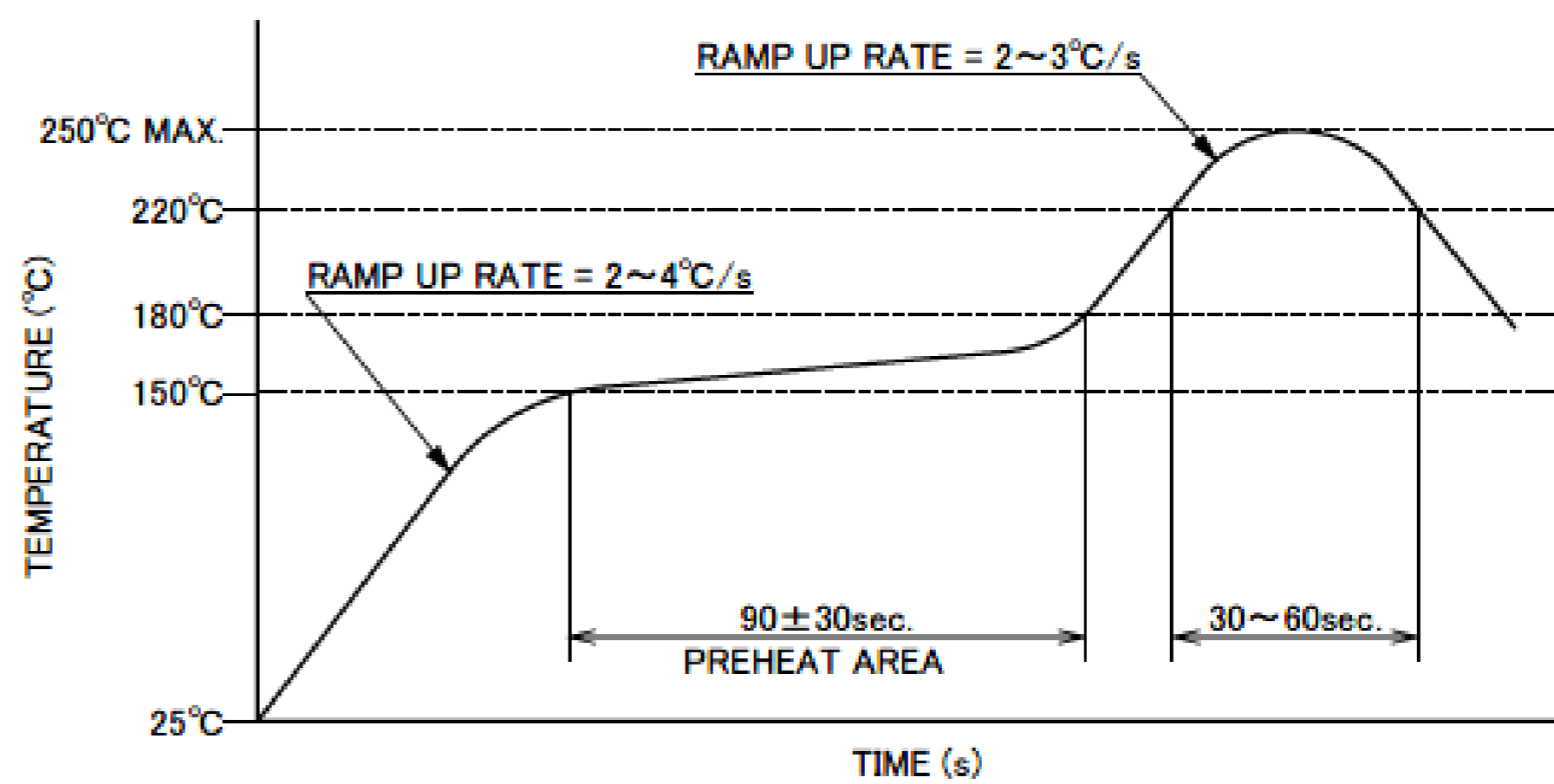
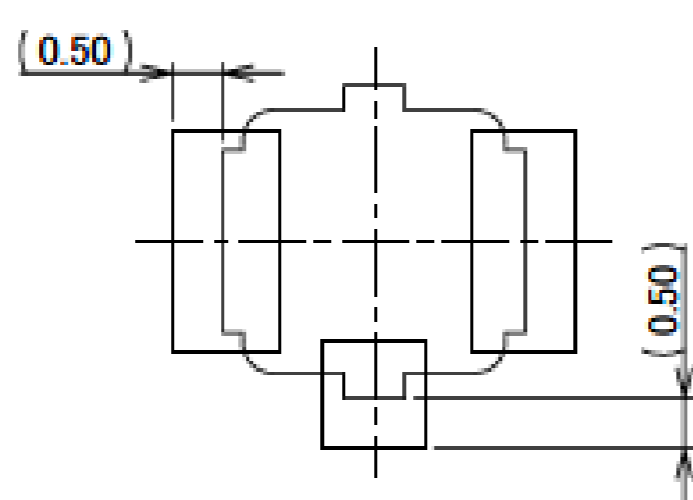
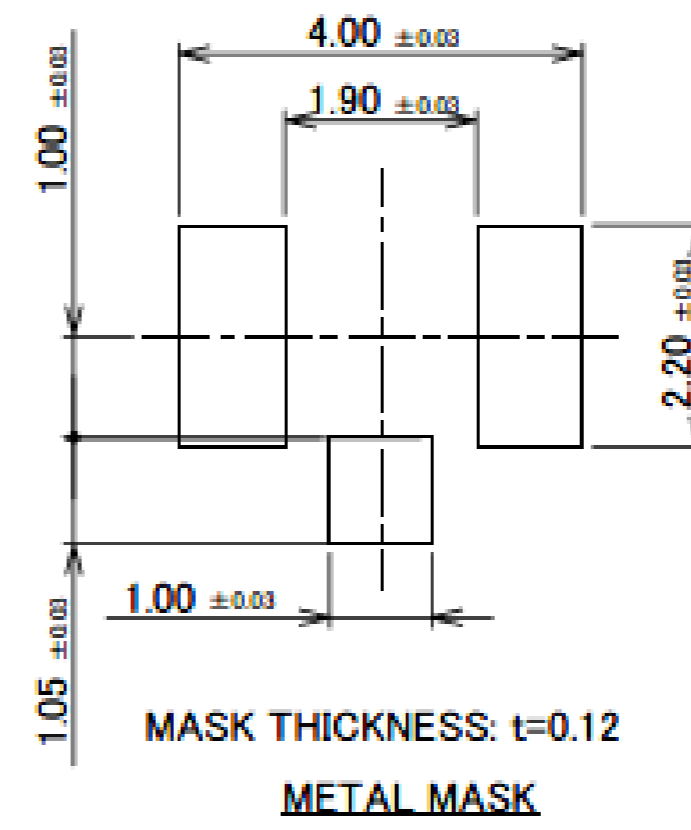
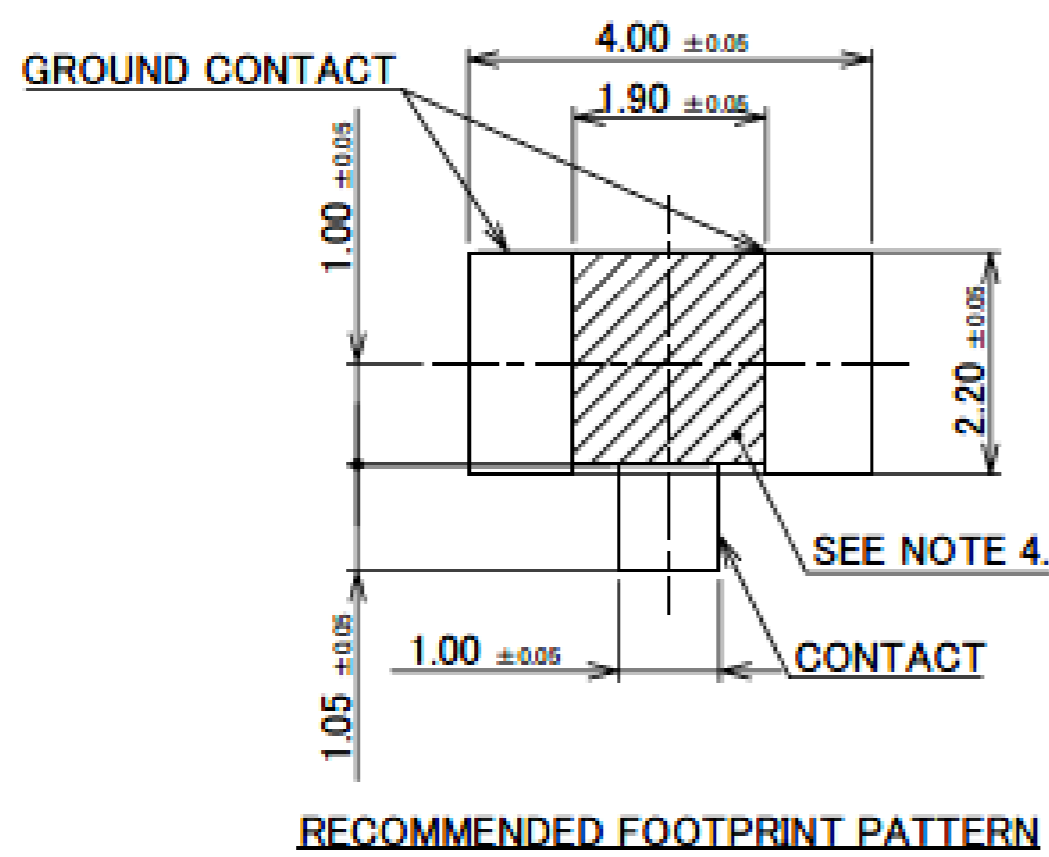
**MATING CONDITION**



- NOTES
1. APPLICABLE CONNECTOR PART NO.  
 20278-11R-\*\*  
 20351-\*\*\*R-37  
 20631-\*\*\*R-\*\*  
 20670-001R-\*\*  
 20767-001R-20
  2. COPLANARITY: 0.1mm MAX.
  3. THIS IS "Pb-FREE" CONNECTOR.

NO.	DISCRIPTION	MATERIAL	FINISH . REMARKS
3	GROUND CONTACT	PHOSPHOR BRONZE	ALL OVER Ni 1.00 $\mu$ m MIN. CONTACT PART Au 0.05 $\mu$ m MIN. SOLDERING PART Au 0.05 $\mu$ m MIN.
2	CONTACT	BRASS	ALL OVER Ni 1.00 $\mu$ m MIN. CONTACT PART Au 0.10 $\mu$ m MIN. SOLDERING PART Au 0.03 $\mu$ m MIN.
1	HOUSING	LCP	UL94V-0, WHITE

Rev.33



**REFLOW TEMPERATURE PROFILE**  
 SENJU METAL INDUSTRY CO., LTD. : M705-SHF(Sn96.5 Ag3.0 Cu0.5)

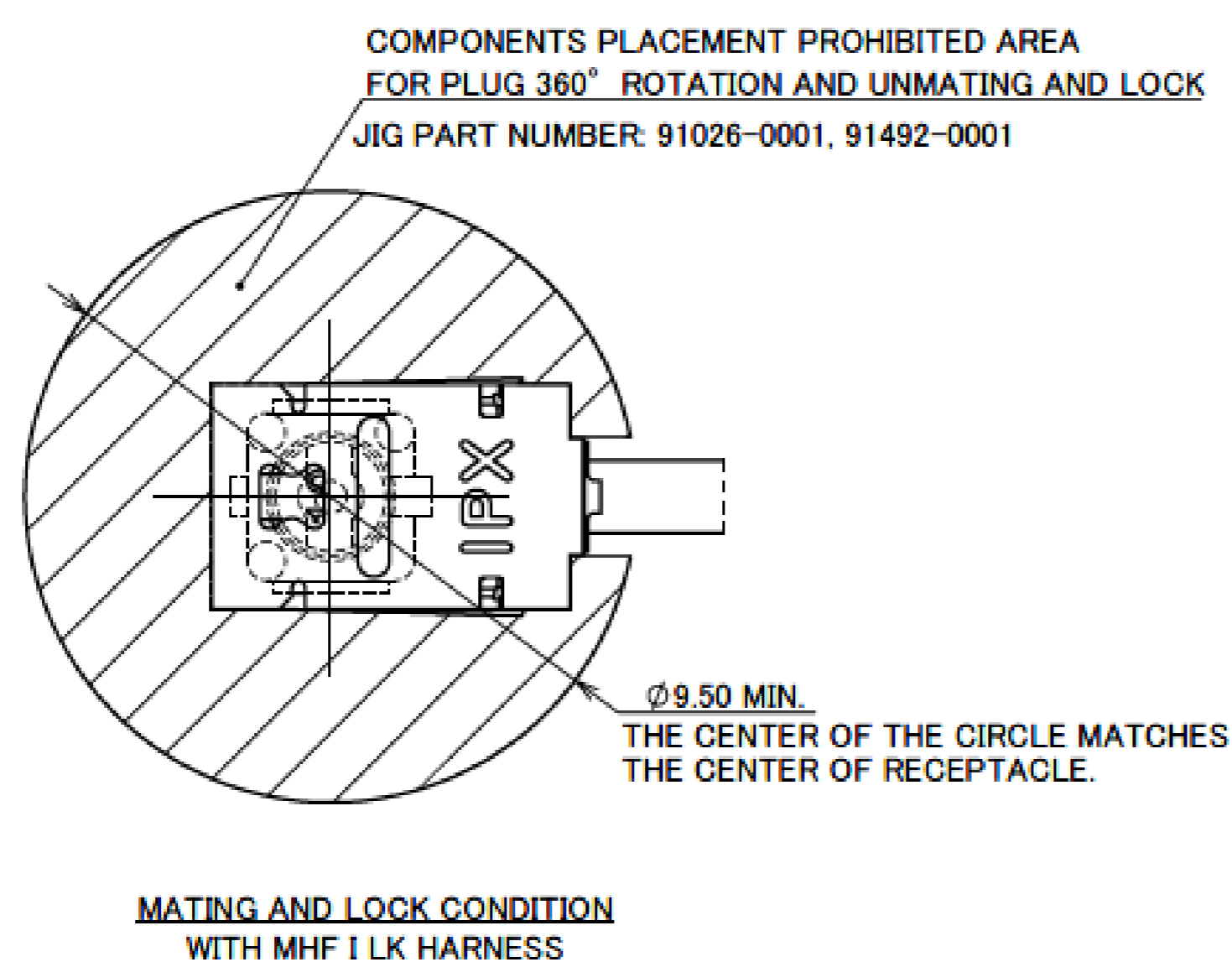
- NOTES.
4. NO GROUND, SIGNAL, AND RESIST IN THIS AREA.

Rev.33

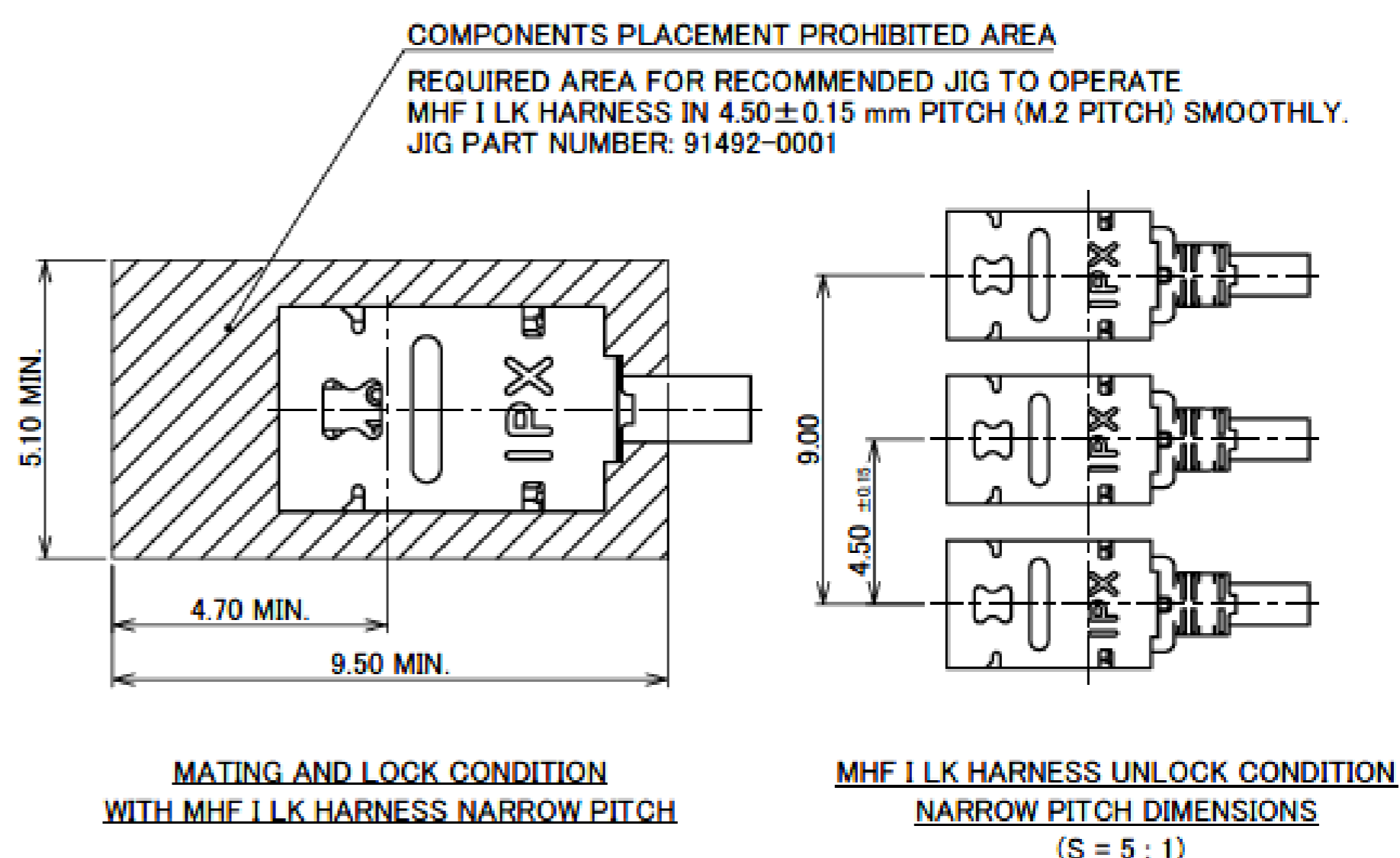
# MHF® I Receptacle (3pads)

## COMPONENT PLACEMENT PROHIBITED AREA FOR MHF I RECEPTACLE MATED WITH MHF I LK HARNESS REQUIRED AREA FOR RECOMMENDED JIG TO OPERATE

SINGLE CONNECTOR LAYOUT



MULTIPLE CONNECTORS LAYOUT



Rev.33

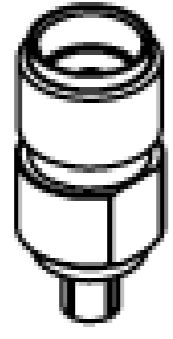
ITEMS	SPECIFICATION			
RECOMMENDED APPLICABLE CONNECTOR PART NO.	20278-001R-** (MHF I PLUG 1.80, 1.32, 1.13, 0.81)	20351-001R-** (MHF I PLUG 1.37)	20670-001R-** (MHF I PLUG Ni TOP 1.80, 1.37, 1.32, 1.13, 0.81)	20767-001R-20 (MHF I PLUG 2.00)
RATING VOLTAGE	60 V AC (R.M.S)			
RATING FREQUENCY	DC~9GHz			
OPERATING TEMPERATURE	233~363K (-40°C~+90°C)			
VSWR (MATED WITH SMA ADAPTER PART No.90193-002)	RECEPTACLE: 1.30 MAX. AT 0.1~3 GHz, 1.40 MAX. AT 3~6 GHz, 1.80 MAX. AT 6~9 GHz			
MAIN CONTACT RESISTANCE	INITIAL : 20 mohm MAX. AFTER TEST : 25 mohm MAX.		INITIAL : 20 mohm MAX. AFTER TEST : $\angle$ R 20 mohm MAX.	
GROUND CONTACT RESISTANCE	INITIAL : 10 mohm MAX. AFTER TEST : 15 mohm MAX.		INITIAL : 20 mohm MAX. AFTER TEST : $\angle$ R 100 mohm MAX.	
INSULATION RESISTANCE	INITIAL: 500 Mohm MIN. / AFTER TEST: 100 Mohm MIN.			
DIELECTRIC WITHSTANDING VOLTAGE	200 V AC, 1 MINUTE			
DURABILITY	30 CYCLES			
UNMATING FORCE (INITIAL / AFTER TEST)	INITIAL: 5 N MIN. AFTER TEST: 3 N MIN.			
PRODUCT SPECIFICATION	PRS-1676	PRS-1726	PRS-2105	PRS-2490
TEST REPORT	TR-12044	TR-12096	TR-15059	TR-18041
PACKING STANDARD	20279-001E-01: 300-232 (CORRUGATED PAPER REEL) PST-12002 (ANTI-STATIC PLASTIC REEL) 20279-001E-03: 300-850 20279-001E-05: PST-13040 20279-001E-06: PST-13040			
INSTRUCTION MANUAL	HIM-10002			HIM-17017
APPEARANCE CRITERIA No.	QLS-A***			

※UNLESS OTHERWISE SPECIFIED, 20279-001E-01 WILL BE DELIVERED IN CORRUGATED PAPER REELS.  
CONTACT YOUR I-PEX SALES IF YOU WISH FOR PLASTIC REELS.

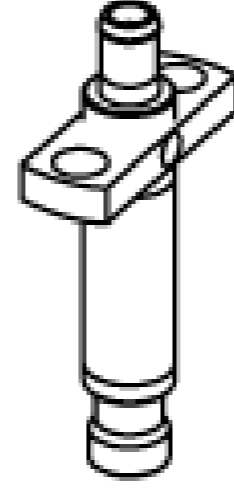
Rev.33



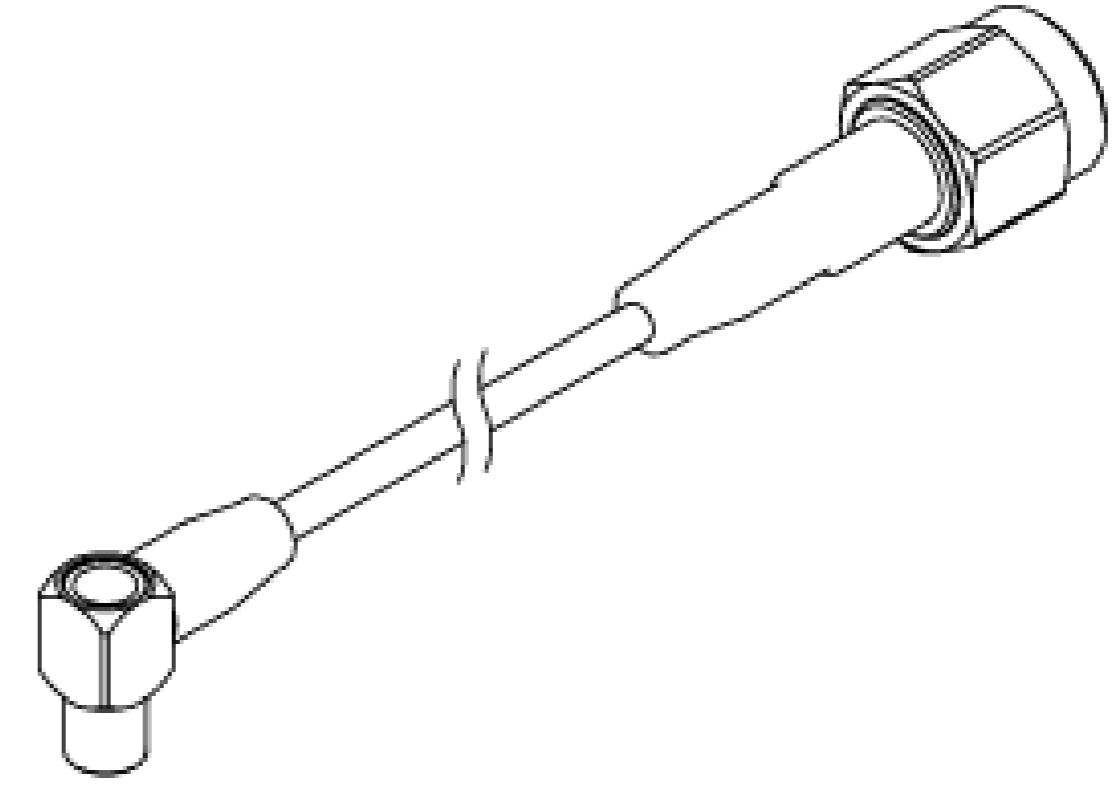
# Accessories for MHF® I Receptacle



MHF I SMA ADAPTER  
PART NO. 90193-002



MHF I RECEPTACLE HIGH CYCLE N45 C ADAPTER  
PART NO. 90575-0001



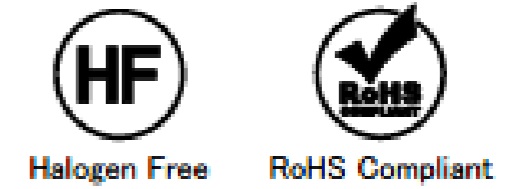
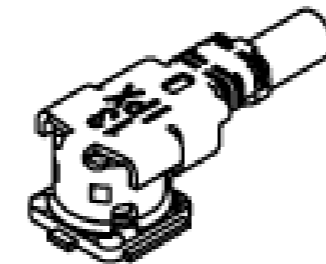
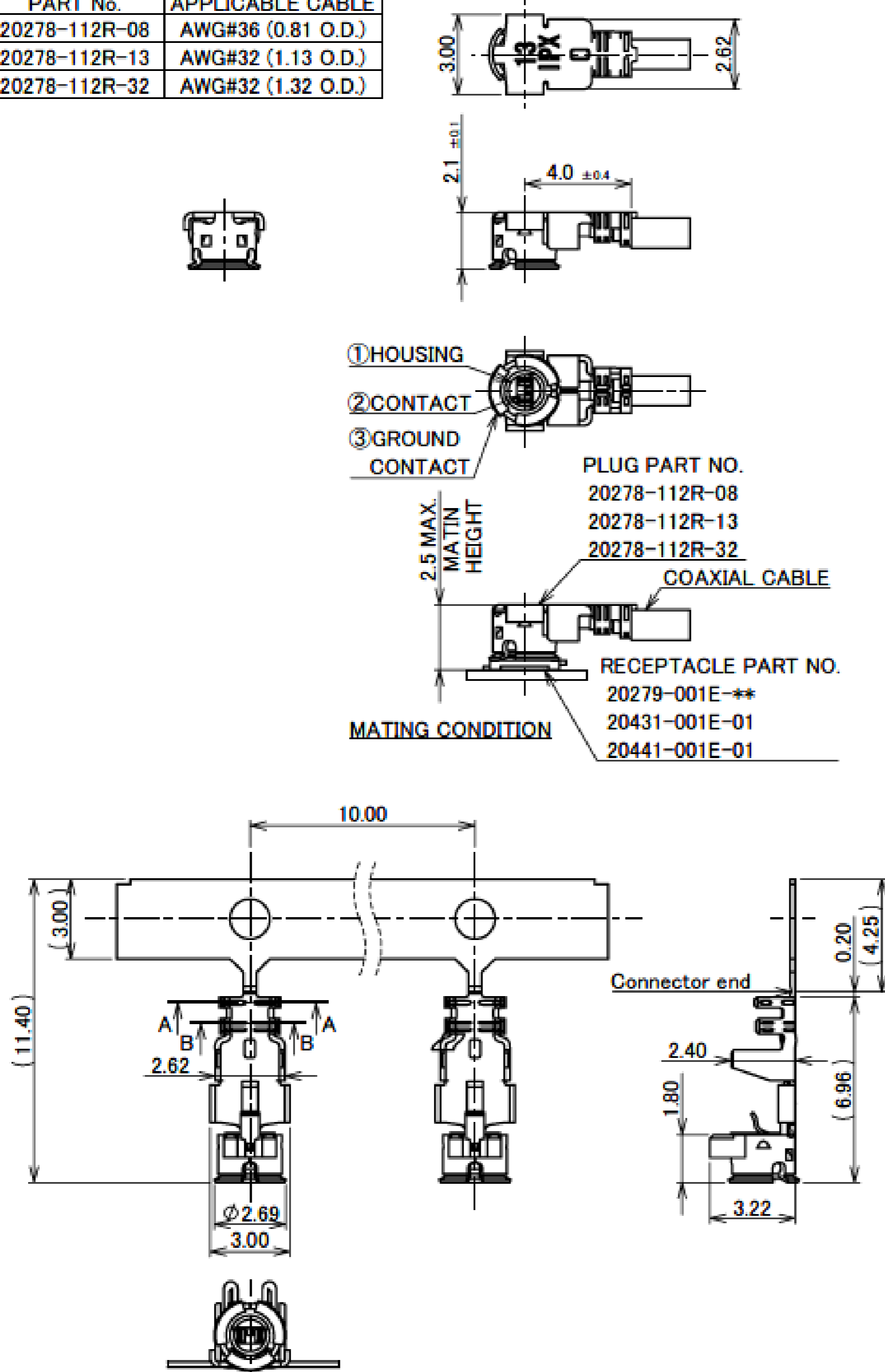
MHF SERIES N45 C TO SMA ADAPTER CABLE  
PART NO. 90577-\*\*\*\*

\* 90575-0001 AND 90577-\*\*\*\* SHOULD BE USED TOGETHER.

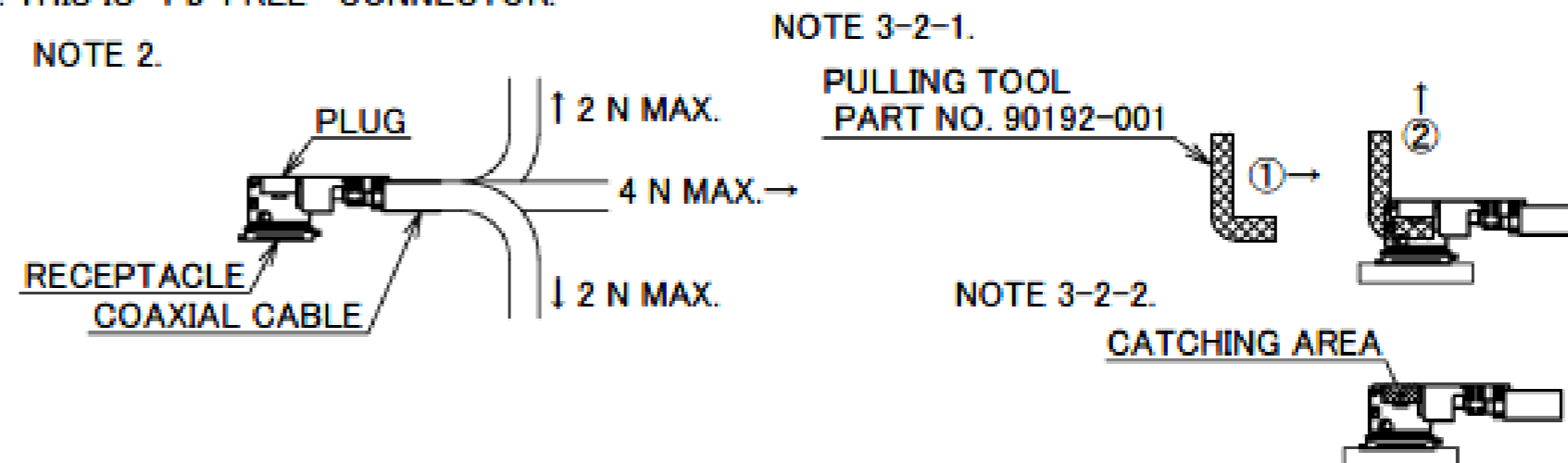
Rev.33

## MHF® I plug Au (0.81,1.13,1.32,1.80)

Recommended P/N	20278-112R-**
PART No.	APPLICABLE CABLE
20278-112R-08	AWG#36 (0.81 O.D.)
20278-112R-13	AWG#32 (1.13 O.D.)
20278-112R-32	AWG#32 (1.32 O.D.)



- NOTES
- APPLICABLE CONNECTOR:  
20279-001E-\*\*, 20431-001E-01, 20441-001E-01
  - PERMISSIBLE LOAD OF CABLE AT MATING
  - SUGGESTIONS FOR MATING & UNMATING OPERATION.
  - MATING
    - PLEASE MATE THE CONNECTOR STRAIGHTLY TO VERTICAL DIRECTION AS MUCH AS POSSIBLE, ADJUSTING THE MATING AXIS OF PLUG AND RECEPTACLE. AS EXCESSIVE SLANT ANGLE MATING MAY BREAK THE CONNECTOR, PLEASE DON'T DO IT.
  - UNMATING
    - IN CASE OF UNMATING BY PULLING TOOL  
PLEASE USE THE PULLING TOOL AS THE FOLLOWING DRAWING, AND PLEASE PULL PLUG TO VERTICAL DIRECTION AS DIRECTLY AS POSSIBLE.
    - IN CASE OF UNMATING DIRECTLY BY HAND  
PLEASE CATCH THE CATCHING AREA OF PLUG, AND PLEASE PULL PLUG TO VERTICAL DIRECTION AS DIRECTLY AS POSSIBLE.
  - CRIMP OVER STANDARDS OF OUTER CONDUCTOR  
STANDARDS: LESS THAN 10% FROM TOTAL NUMBERS OF OUTER CONDUCTOR.  
(NUMBERS OF OUTER CONDUCTOR'S CRIMP OVER FROM OUTER CONDUCTOR'S BARREL)
  - CAUTION ABOUT HEAT SHRINKAGE TUBES  
PLEASE BE CAREFUL NOT TO MELT HOUSING WHEN USING HEAT SHRINKAGE TUBES. IT WILL BECOME CAUSE OPEN CIRCUIT.
  - THIS IS "Pb-FREE" CONNECTOR.

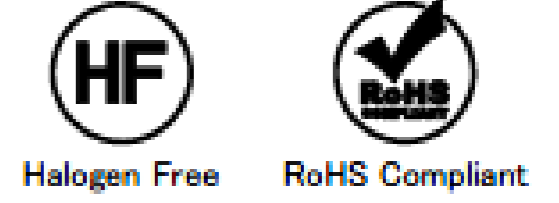
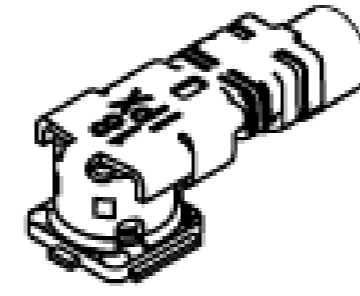
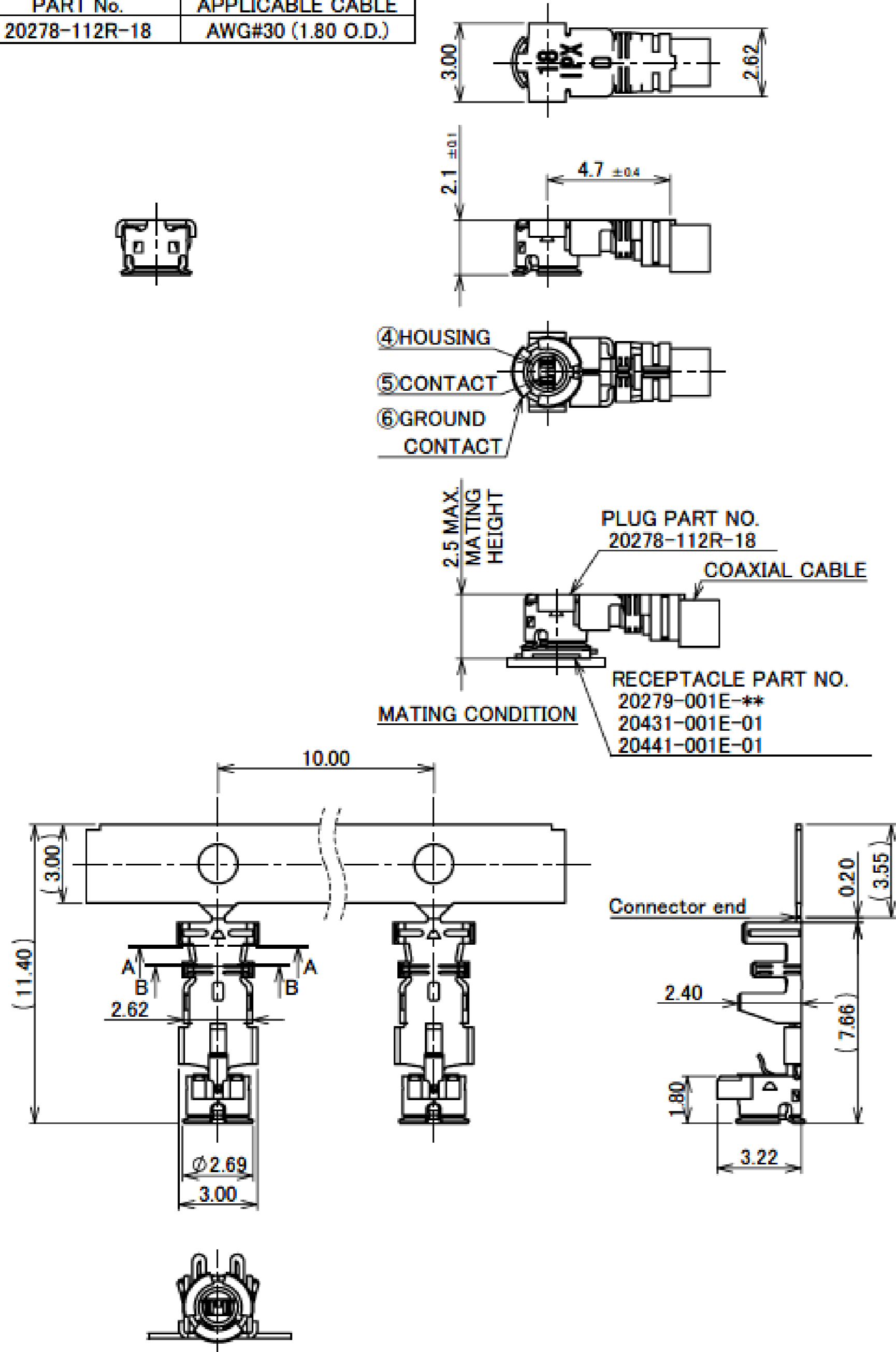


NO.	DESCRIPTION	MATERIAL	FINISH, REMARKS
3	GROUND CONTACT	PHOSPHOR BRONZE	ALL OVER Ni 1.00 μm MIN. CONTACT PART Au 0.05 μm MIN.
2	CONTACT	PHOSPHOR BRONZE	ALL OVER Ni 1.00 μm MIN. CONTACT PART Au 0.10 μm MIN.
1	HOUSING	PBT	UL94V-0, 20278-112R-08: WHITE 20278-112R-13, -32: BLACK

Rev.33

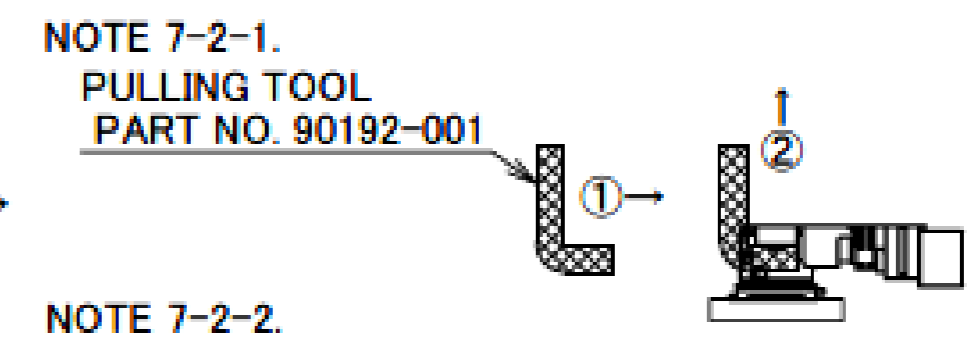
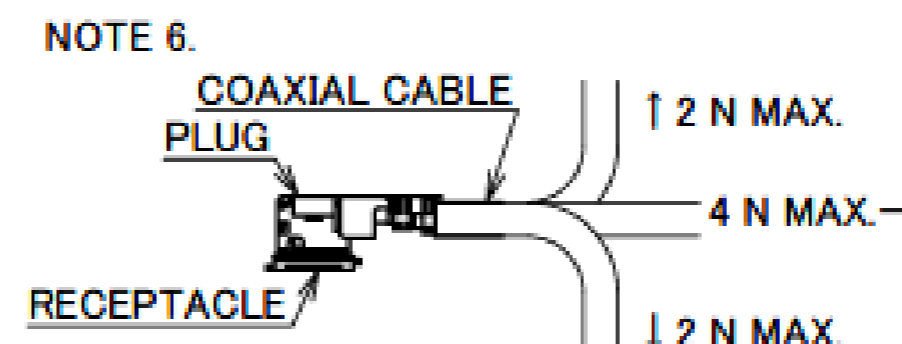
# MHF® I plug Au (0.81,1.13,1.32,1.80)

Recommended P/N		20278-112R-**-
PART No.	APPLICABLE CABLE	
20278-112R-18	AWG#30 (1.80 O.D.)	



## NOTES

5. APPLICABLE CONNECTOR:  
20279-001E-\*\*, 20431-001E-01, 20441-001E-01
6. PERMISSIBLE LOAD OF CABLE AT MATING
7. SUGGESTIONS FOR MATING & UNMATING OPERATION.
- 7-1. MATING  
PLEASE MATE THE CONNECTOR STRAIGHTLY TO VERTICAL DIRECTION AS MUCH AS POSSIBLE, ADJUSTING THE MATING AXIS OF PLUG AND RECEPTACLE. AS EXCESSIVE SLANT ANGLE MATING MAY BREAK THE CONNECTOR, PLEASE DON'T DO IT.
- 7-2. UNMATING
- 7-2-1. IN CASE OF UNMATING BY PULLING TOOL  
PLEASE USE THE PULLING TOOL AS THE FOLLOWING DRAWING, AND please PULL PLUG TO VERTICAL DIRECTION AS DIRECTLY AS POSSIBLE.
- 7-2-2. IN CASE OF UNMATING DIRECTLY BY HAND  
PLEASE CATCH THE CATCHING AREA OF PLUG, AND PLEASE PULL PLUG TO VERTICAL DIRECTION AS DIRECTLY AS POSSIBLE.
- 7-3. CRIMP OVER STANDARDS OF OUTER CONDUCTOR  
STANDARDS: LESS THAN 10% FROM TOTAL NUMBERS OF OUTER CONDUCTOR.  
(NUMBERS OF OUTER CONDUCTOR'S CRIMP OVER FROM OUTER CONDUCTOR'S BARREL)
- 7-4. CAUTION ABOUT HEAT SHRINKAGE TUBES  
PLEASE BE CAREFUL NOT TO MELT HOUSING WHEN USING HEAT SHRINKAGE TUBES. IT WILL BECOME CAUSE OPEN CIRCUIT.
8. THIS IS "Pb-FREE" CONNECTOR.



NO.	DESCRIPTION	MATERIAL	FINISH, REMARKS
6	GROUND CONTACT	PHOSPHOR BRONZE	ALL OVER Ni 1.00 μm MIN. CONTACT PART Au 0.05 μm MIN.
5	CONTACT	PHOSPHOR BRONZE	ALL OVER Ni 1.00 μm MIN. CONTACT PART Au 0.10 μm MIN.
4	HOUSING	PBT	UL94V-0, WHITE

Rev.33

Recommended P/N		20278-112R-**-
-----------------	--	----------------

PART NO.	20278-112R-08	20278-112R-13	20278-112R-32	20278-112R-18		
APPLICABLE CABLE NOMINAL DIMENSION	 2.09 ±0.1 1.25 ±0.1 1.16 ±0.1 AWG #36(7/0.05) φ0.40 NOMINAL φ0.65 (φ0.93) φ0.81 NOMINAL *SEE NOTE 9.	 2.09 ±0.1 1.25 ±0.1 1.16 ±0.1 AWG #32(7/0.08) φ0.68 NOMINAL φ0.93 (φ1.13) φ1.13 NOMINAL	 2.09 ±0.1 1.25 ±0.1 1.16 ±0.1 AWG #32(7/0.08) φ0.66 NOMINAL φ1.12 (φ1.32) φ1.32 NOMINAL	 2.09 ±0.1 1.25 ±0.1 1.16 ±0.1 AWG #30(7/0.102) φ0.84 NOMINAL φ1.35 (φ1.80) φ1.80 NOMINAL	CABLE CUT LENGTH	
INNER CONDUCTOR SILVER PLATING					CRIMP HEIGHT BLADE MICROMETER CH-1  0.40 i-Fit® PART  0.40	
DIELECTRIC CORE						
OUTER CONDUCTOR SILVER OR TIN PLATING					CH-2  0.40 OUTER CONDUCTOR PART  0.40	
JACKET						
BRAIDED SHIELD OF OUTER CONDUCTOR	SINGLE	SINGLE	DOUBLE	SINGLE	CH-3  0.40 JACKET PART  0.40	
PART NO. OF SEMI AUTO TERMINATION MACHINE	90213-008C	90213-013C	90213-032C	90232-018		
SECT. B-B	 1.68 1.12 1.48	 2.24 1.48	 2.29 1.56	 2.71 1.90		
SECT. A-A	 1.72 1.19 1.55	 2.28 1.55	 2.37 1.71	 3.10 2.26		
CRIMP HEIGHT	CH-1	1.34~1.40	1.34~1.40	1.34~1.40	1.34~1.40	
	CH-2	0.76~0.84	1.06~1.14	1.20~1.30	1.41~1.49	
	CH-3	0.85~0.97	1.15~1.35	1.26~1.46	1.70~1.80	

NOTE 9. DO NOT USE SOLDER COATED EITHER INNER OR OUTER CONDUCTOR CABLE.

Rev.33

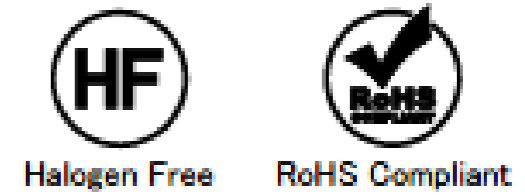
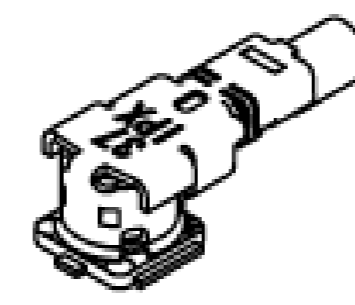
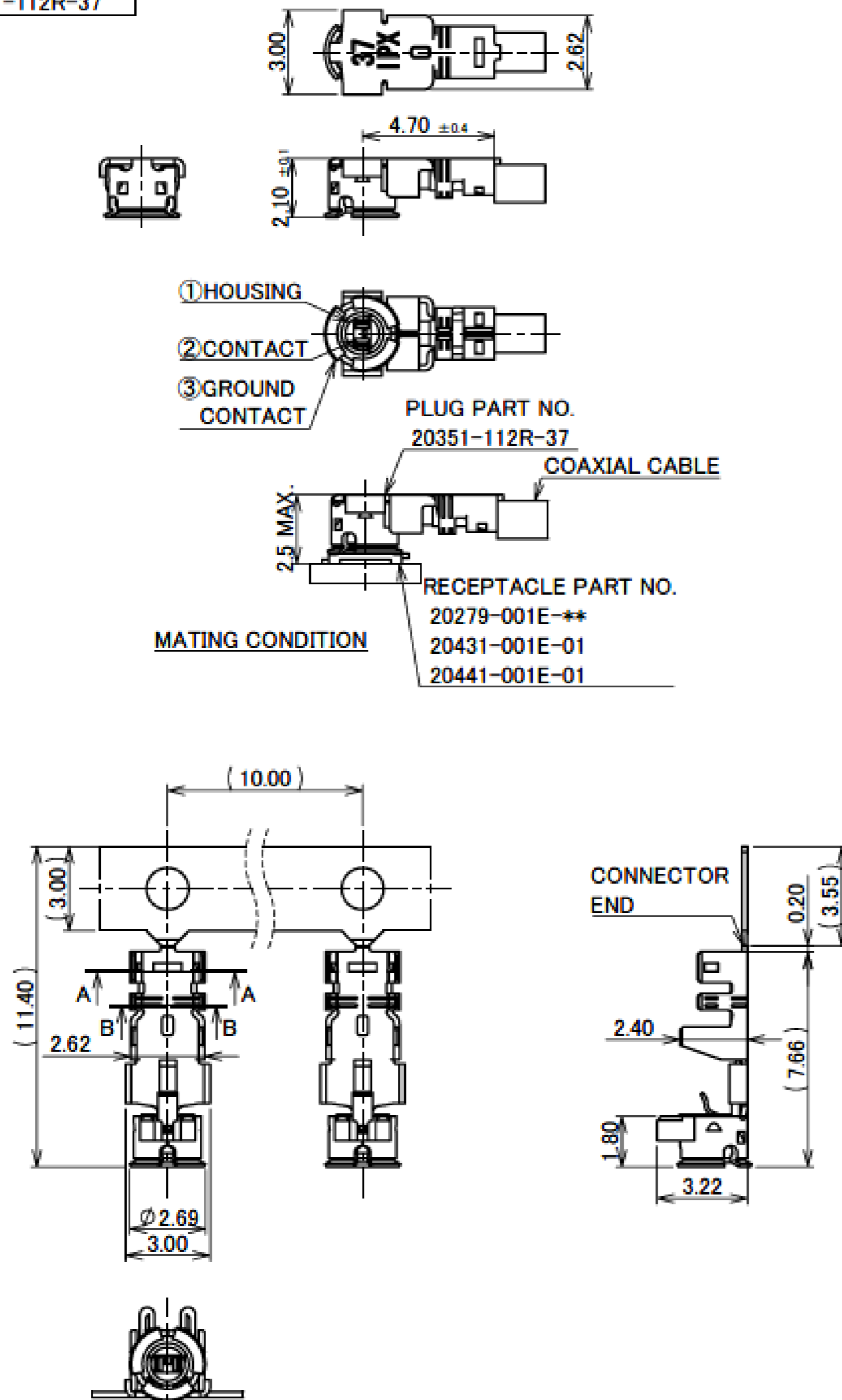
# MHF® I plug Au (0.81,1.13,1.32,1.80)

ITEMS	SPECIFICATION	
RECOMMENDED APPLICABLE CONNECTOR PART No.	20279-001E-**-	20441-001E-01
RATING VOLTAGE	60 V AC (R.M.S)	
RATING FREQUENCY	DC~9GHz	
OPERATING TEMPERATURE	233~363 K (-40°C~+90°C)	
VSWR (MATED WITH SMA ADAPTER PART No.90193-001)	1.30 MAX. AT 0.1~3 GHz, 1.50 MAX. AT 3~6 GHz, 1.90 MAX. AT 6~9 GHz (0.81 O.D. / 1.13 O.D. / 1.80 O.D.) 1.30 MAX. AT 0.1~3 GHz, 1.50 MAX. AT 3~6 GHz, 1.60 MAX. AT 6~9 GHz (1.32 O.D.)	
MAIN CONTACT RESISTANCE	INITIAL: 20 mohm MAX. / AFTER TEST: 25 mohm MAX.	
GROUND CONTACT RESISTANCE	INITIAL: 10 mohm MAX. / AFTER TEST: 15 mohm MAX.	
INSULATION RESISTANCE	INITIAL: 500 Mohm MIN. / AFTER TEST: 100 Mohm MIN.	
DIELECTRIC WITHSTANDING VOLTAGE	200 V AC, 1 MINUTE	
DURABILITY	30 CYCLES	
UNMATING FORCE (INITIAL / AFTER TEST)	5 N MIN. / 3 N MIN.	
CRIMP STRENGTH	20278-112R-08, 20278-112R-13, 20278-112R-32: 10 N MIN. 20278-112R-18: 15 N MIN.	
PRODUCT SPECIFICATION	PRS-1676	
TEST REPORT	TR-12044	
PACKING STANDARD	300-233	
INSTRUCTION MANUAL	HIM-10002	
APPEARANCE CRITERIA No.	QLS-A***	

Rev.33

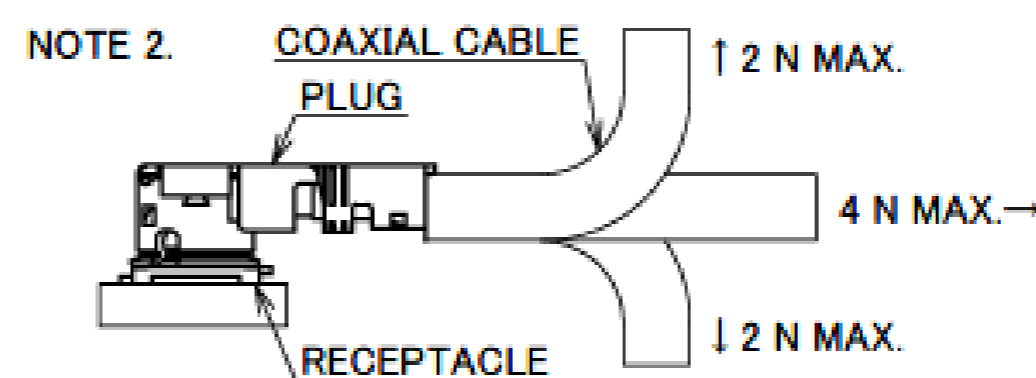
# MHF® I plug Au (1.37)

Recommended P/N	20351-112R-37
PART No.	20351-112R-37

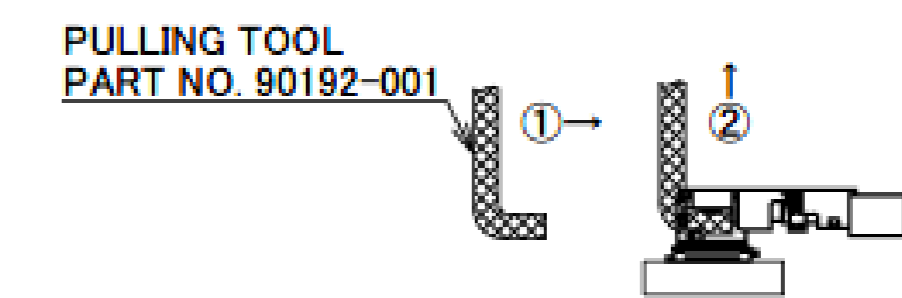


### NOTES

- APPLICABLE CONNECTOR:  
20279-001E-\*\*-, 20431-001E-01, 20441-001E-01
- PERMISSIBLE LOAD OF CABLE AT MATING
- SUGGESTIONS FOR MATING & UNMATING OPERATION
  - MATING  
PLEASE MATE THE CONNECTOR STRAIGHTLY TO VERTICAL DIRECTION AS MUCH AS POSSIBLE, ADJUSTING THE MATING AXIS OF PLUG AND RECEPTACLE. AS EXCESSIVE SLANT ANGLE MATING MAY BREAK THE CONNECTOR, PLEASE DON'T DO IT.
  - UNMATING
    - IN CASE OF UNMATING BY PULLING TOOL  
PLEASE USE THE PULLING TOOL AS THE FOLLOWING DRAWING, AND PLEASE PULL PLUG TO VERTICAL DIRECTION AS DIRECTLY AS POSSIBLE.
    - IN CASE OF UNMATING DIRECTLY BY HAND  
PLEASE CATCH THE CATCHING AREA OF PLUG, AND PLEASE PULL PLUG TO VERTICAL DIRECTION AS DIRECTLY AS POSSIBLE.
    - CRIMP OVER STANDARDS OF OUTER CONDUCTOR  
STANDARDS: LESS THAN 10% FROM TOTAL NUMBERS OF OUTER CONDUCTOR.  
(NUMBERS OF OUTER CONDUCTOR'S CRIMP OVER FROM OUTER CONDUCTOR'S BARREL)
    - CAUTION ABOUT HEAT SHRINKAGE TUBES  
PLEASE BE CAREFUL NOT TO MELT HOUSING WHEN USING HEAT SHRINKAGE TUBES. IT WILL BECOME CAUSE OPEN CIRCUIT.
    - TIP OF CONTACT SHOULD BE RECESSED OF HOUSING AFTER CRIMPED ABOUT MATING AREA.
    - THIS IS "Pb-FREE" CONNECTOR.



### NOTE 3-2-1.



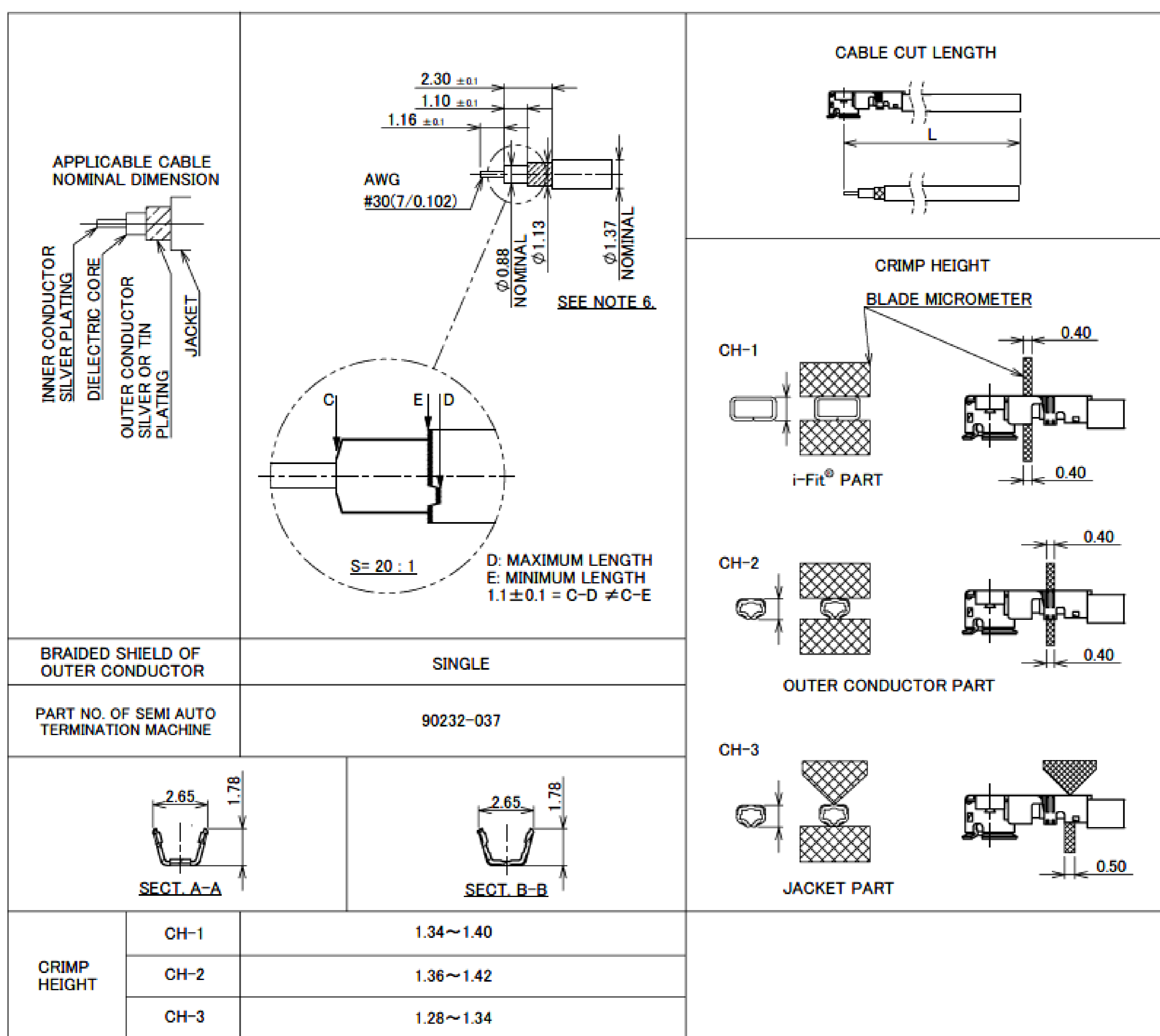
### NOTE 3-2-2. CATCHING AREA



NO.	DESCRIPTION	MATERIAL	FINISH, REMARKS
3	GROUND CONTACT	PHOSPHOR BRONZE	ALL OVER Ni 1.00 μm MIN. CONTACT PART Au 0.05 μm MIN.
2	CONTACT	PHOSPHOR BRONZE	ALL OVER Ni 1.00 μm MIN. CONTACT PART Au 0.10 μm MIN.
1	HOUSING	PBT	UL94V-0, WHITE

Rev.21

# MHF® I plug Au (1.37)



NOTE 6. DO NOT USE SOLDER COATED EITHER INNER OR OUTER CONDUCTOR CABLE.

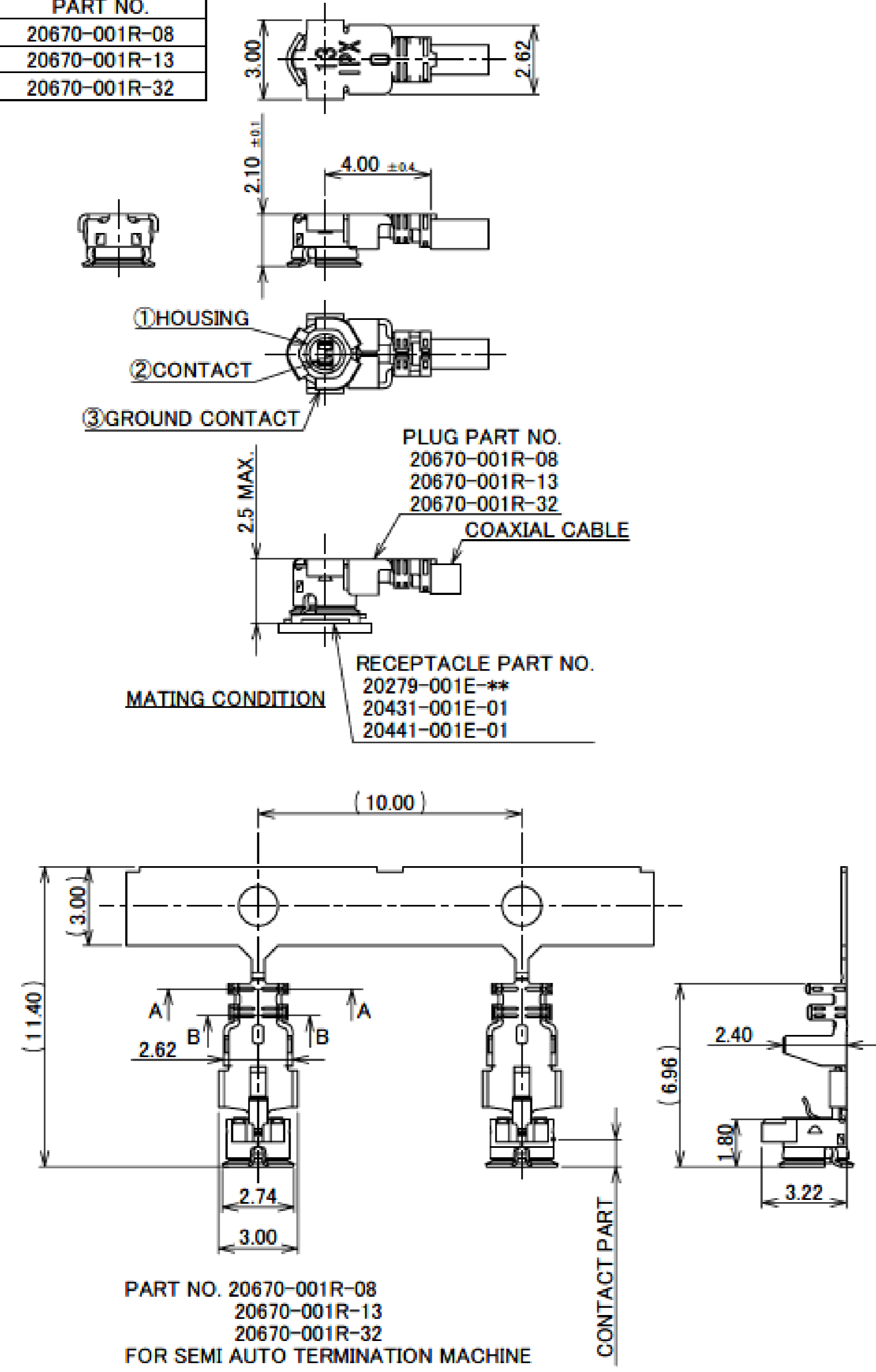
Rev.21

ITEMS	SPECIFICATION	
RECOMMENDED APPLICABLE CONNECTOR PART No.	20279-001E-**-**	20441-001E-01
RATING VOLTAGE	60 V AC (R.M.S)	
RATING FREQUENCY	DC~9GHz	
OPERATING TEMPERATURE	233~363 K (-40°C~+90°C)	
VSWR	1.3 MAX. AT 0.1~3 GHz, 1.5 MAX. AT 3~6 GHz, 1.9 MAX. AT 6~9 GHz	
MAIN CONTACT RESISTANCE	INITIAL: 20 mohm MAX. / AFTER TEST: 25 mohm MAX.	
GROUND CONTACT RESISTANCE	INITIAL: 10 mohm MAX. / AFTER TEST: 15 mohm MAX.	
INSULATION RESISTANCE	INITIAL: 500 Mohm MIN. / AFTER TEST: 100 Mohm MIN.	
DIELECTRIC WITHSTANDING VOLTAGE	200 V AC, 1 MINUTE	
DURABILITY	30 CYCLES	
UNMATING FORCE (INITIAL / AFTER TEST)	5 N MIN. / 3 N MIN.	
CRIMP STRENGTH	15 N MIN.	
PRODUCT SPECIFICATION	PRS-1726	
TEST REPORT	TR-12096	
PACKING STANDARD	300-233	
INSTRUCTION MANUAL	HIM-10002	
APPEARANCE CRITERIA No.	QLS-A***	

Rev.21

# MHF® I plug Ni top (0.81,1.13,1.32,1.37,1.80)

Recommended P/N	20670-001R-**-**
PART NO.	
20670-001R-08	
20670-001R-13	
20670-001R-32	

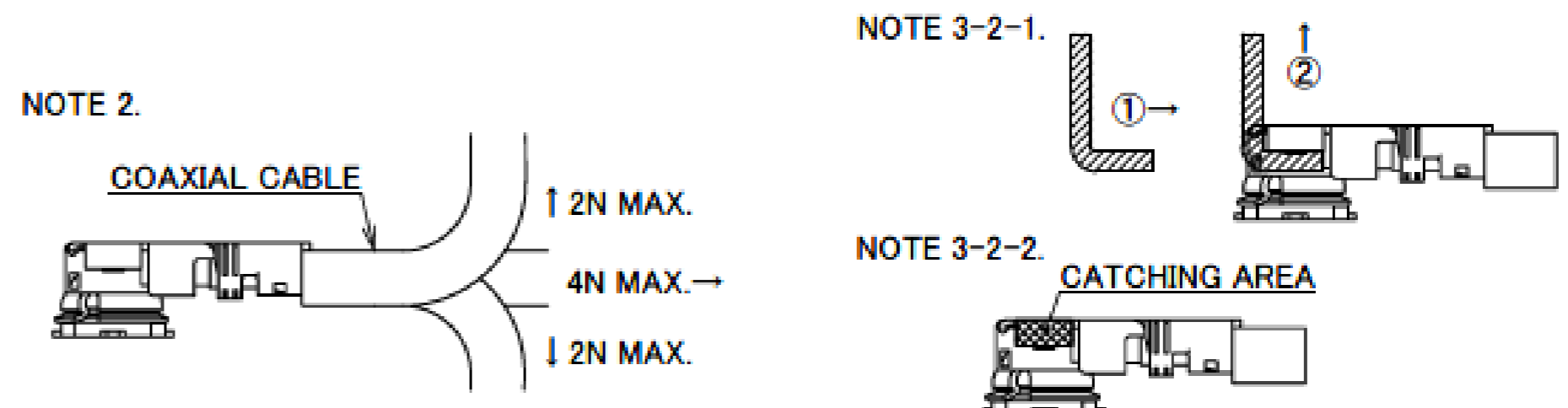


HATCHED AREA: Ni PLATING AREA

HF Halogen Free RoHS Compliant

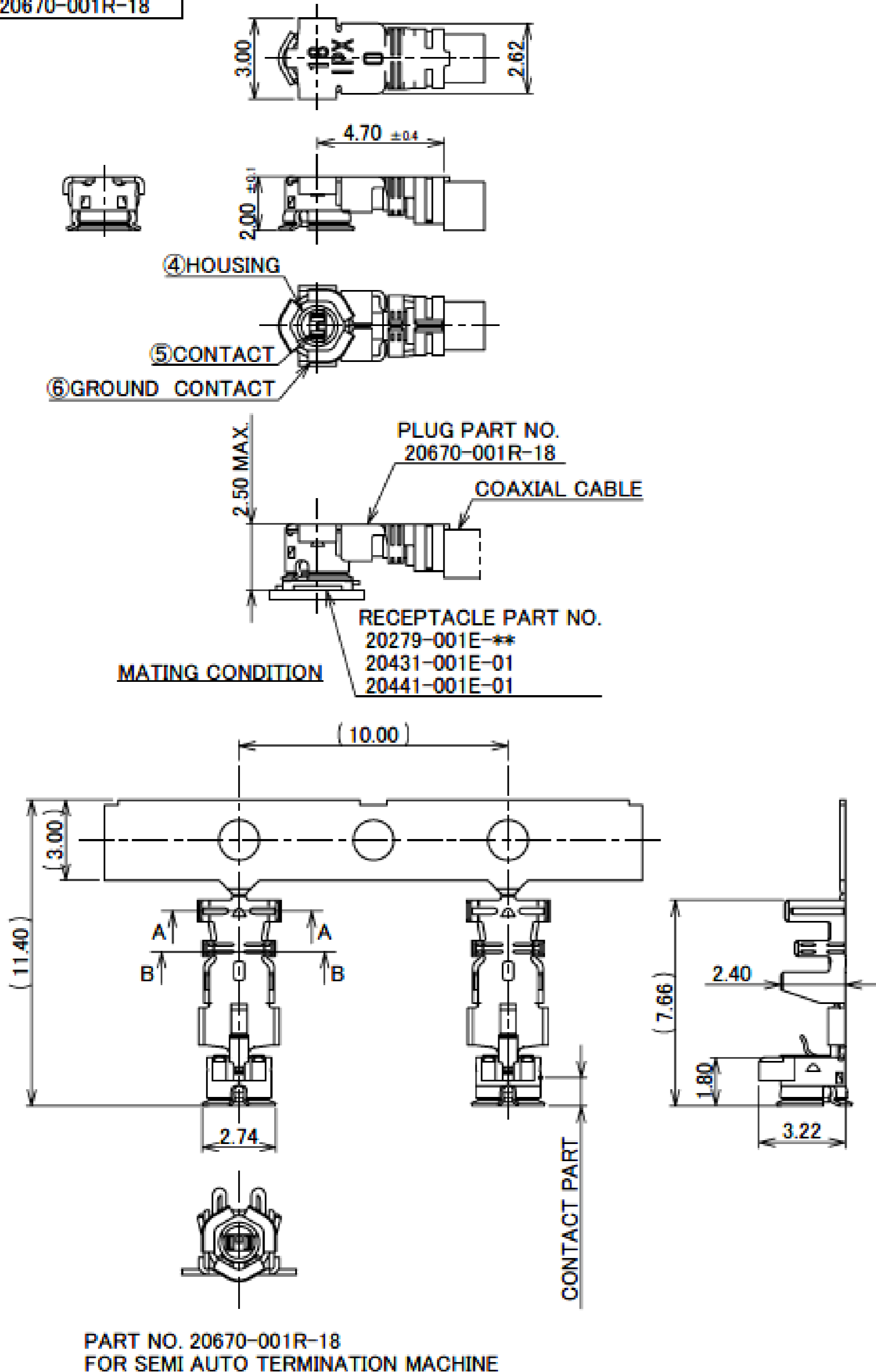
NOTES

1. APPLICABLE CONNECTOR:  
20279-001E-\*\*-\*\*  
20431-001E-01  
20441-001E-01
2. PERMISSIBLE LOAD OF CABLE AT MATING
3. MATING AND UNMATING INSTRUCTION
- 3-1. MATING  
MAKE THE CONNECTOR VERTICALLY AS MUCH AS POSSIBLE, ADJUSTING THE MATING AXIS OF PLUG AND RECEPTACLE.
- 3-2. UNMATING  
3-2-1. IN CASE OF UNMATING BY PULLING TOOL (PART NO. 90192-001): USE THE PULLING TOOL AS THE FOLLOWING DRAWING, AND PULL PLUG TO VERTICAL DIRECTION AS DIRECTLY AS POSSIBLE.  
3-2-2. IN CASE OF UNMATING DIRECTLY BY HAND: CATCH THE CATCHING AREA OF PLUG, AND PULL PLUG TO VERTICAL DIRECTION AS DIRECTLY AS POSSIBLE.
- 3-3. CRIMP OVER STANDARDS OF OUTER CONDUCTOR  
STANDARDS: LESS THAN 10% FROM TOTAL NUMBERS OF OUTER CONDUCTOR.  
(NUMBERS OF OUTER CONDUCTOR'S CRIMP OVER FROM OUTER CONDUCTOR'S BARREL)
- 3-4. CAUTION ABOUT HEAT SHRINKAGE TUBES  
PLEASE BE CAREFUL NOT TO MELT HOUSING WHEN USING HEAT SHRINKAGE TUBES.
4. THIS IS "Pb-FREE" CONNECTOR.



3	GROUND CONTACT	PHOSPHOR BRONZE	ALL OVER Ni 1.00 μm MIN. CONTACT PART Au 0.02 μm MIN. [Ni PLATING AREA] Ni ONLY
2	CONTACT	PHOSPHOR BRONZE	ALL OVER Ni 1.00 μm MIN. CONTACT PART Au 0.03 μm MIN.
1	HOUSING	PBT	UL94V-0, BLACK
NO.	DESCRIPTION	MATERIAL	FINISH, REMARKS

Recommended P/N	20670-001R-**-**
PART No.	
20670-001R-18	

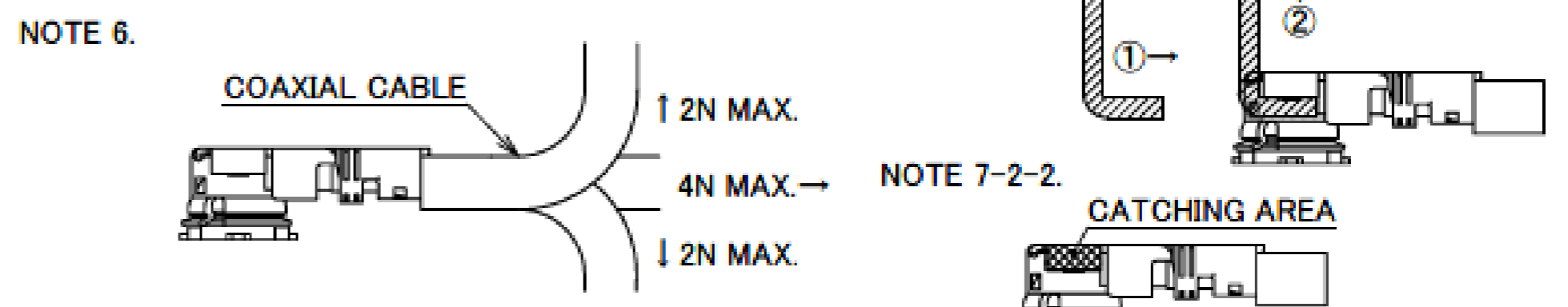


HATCHED AREA: Ni PLATING AREA

HF Halogen Free RoHS Compliant

NOTES

5. APPLICABLE CONNECTOR:  
20279-001E-\*\*-\*\*  
20431-001E-01  
20441-001E-01
6. PERMISSIBLE LOAD OF CABLE AT MATING
7. MATING AND UNMATING INSTRUCTION
- 7-1. MATING  
MAKE THE CONNECTOR VERTICALLY AS MUCH AS POSSIBLE, ADJUSTING THE MATING AXIS OF PLUG AND RECEPTACLE.
- 7-2. UNMATING  
7-2-1. IN CASE OF UNMATING BY PULLING TOOL (PART NO. 90192-001): USE THE PULLING TOOL AS THE FOLLOWING DRAWING, AND PULL PLUG TO VERTICAL DIRECTION AS DIRECTLY AS POSSIBLE.  
7-2-2. IN CASE OF UNMATING DIRECTLY BY HAND: CATCH THE CATCHING AREA OF PLUG, AND PULL PLUG TO VERTICAL DIRECTION AS DIRECTLY AS POSSIBLE.
- 7-3. CRIMP OVER STANDARDS OF OUTER CONDUCTOR  
STANDARDS: LESS THAN 10% FROM TOTAL NUMBERS OF OUTER CONDUCTOR.  
(NUMBERS OF OUTER CONDUCTOR'S CRIMP OVER FROM OUTER CONDUCTOR'S BARREL)
- 7-4. CAUTION ABOUT HEAT SHRINKAGE TUBES  
PLEASE BE CAREFUL NOT TO MELT HOUSING WHEN USING HEAT SHRINKAGE TUBES.
8. THIS IS "Pb-FREE" CONNECTOR.

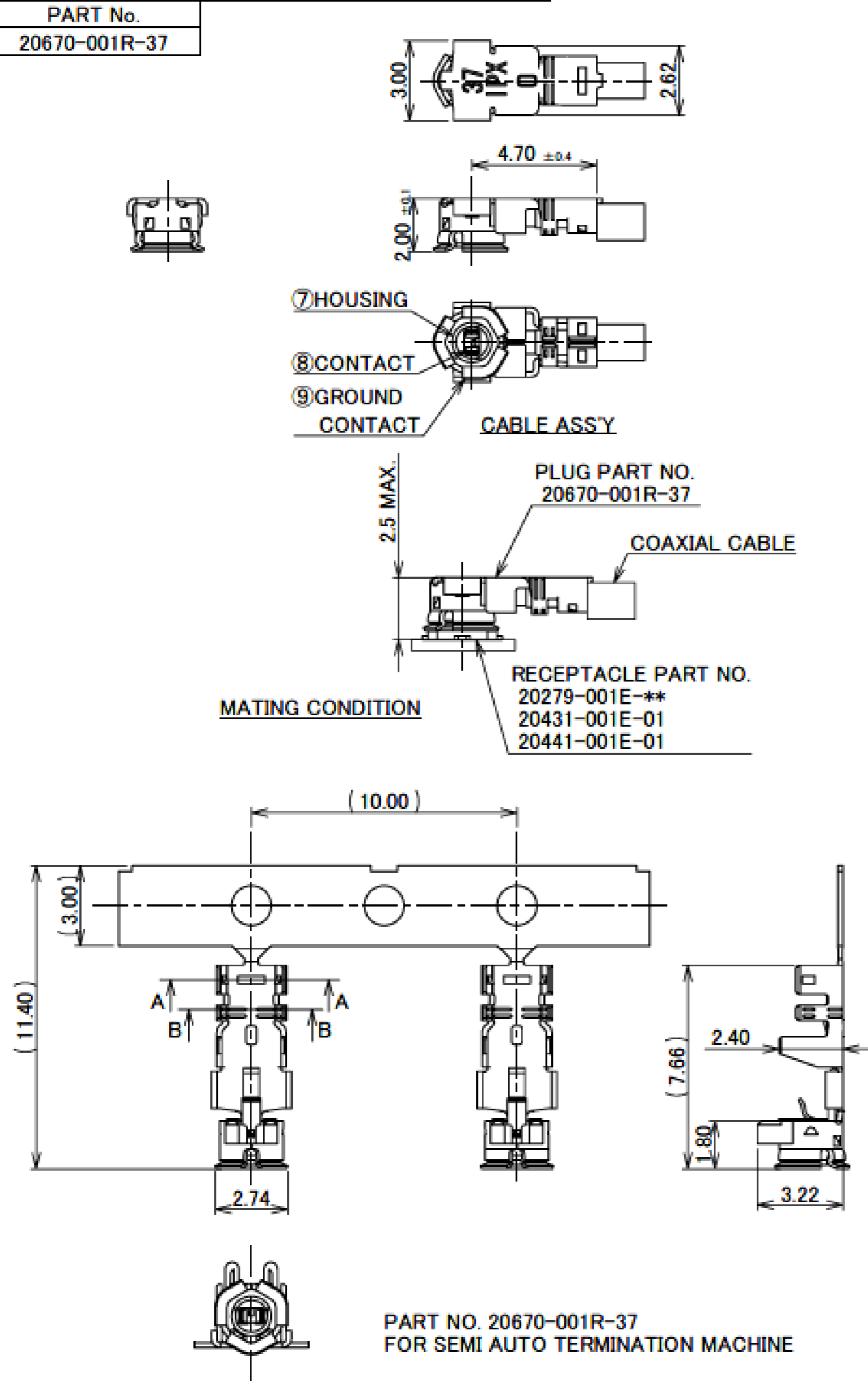


6	GROUND CONTACT	PHOSPHOR BRONZE	ALL OVER Ni 1.00 μm MIN. CONTACT PART Au 0.02 μm MIN. [Ni PLATING AREA] Ni ONLY
5	CONTACT	PHOSPHOR BRONZE	ALL OVER Ni 1.00 μm MIN. CONTACT PART Au 0.03 μm MIN.
4	HOUSING	PBT	UL94V-0, BLACK
NO.	DESCRIPTION	MATERIAL	FINISH, REMARKS

# MHF® I plug Ni top (0.81,1.13,1.32,1.37,1.80)

Recommended P/N 20670-001R-\*\*-\*\*

PART No.  
20670-001R-37



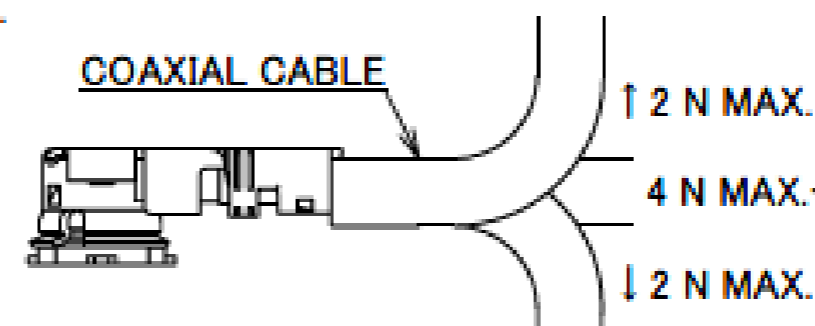
NOTES

9. APPLICABLE CONNECTOR:  
20279-001E-\*\*-\*\*  
20431-001E-01  
20441-001E-01
10. PERMISSIBLE LOAD OF CABLE AT MATING
11. MATING AND UNMATING INSTRUCTION
- 11-1. MATING  
MAKE THE CONNECTOR VERTICALLY AS MUCH AS POSSIBLE, ADJUSTING THE MATING AXIS OF PLUG AND RECEPTACLE.
- 11-2. UNMATING  
11-2-1. IN CASE OF UNMATING BY PULLING TOOL (PART NO. 90192-001): USE THE PULLING TOOL AS THE FOLLOWING DRAWING, AND PULL PLUG TO VERTICAL DIRECTION AS DIRECTLY AS POSSIBLE.  
11-2-2. IN CASE OF UNMATING DIRECTLY BY HAND: CATCH THE CATCHING AREA OF PLUG, AND PULL PLUG TO VERTICAL DIRECTION AS DIRECTLY AS POSSIBLE.
- 11-3. CRIMP OVER STANDARDS OF OUTER CONDUCTOR  
STANDARDS: LESS THAN 10% FROM TOTAL NUMBERS OF OUTER CONDUCTOR.  
(NUMBERS OF OUTER CONDUCTOR'S CRIMP OVER FROM OUTER CONDUCTOR'S BARREL)
- 11-4. CAUTION ABOUT HEAT SHRINKAGE TUBES  
PLEASE BE CAREFUL NOT TO MELT HOUSING WHEN USING HEAT SHRINKAGE TUBES.  
IT WILL CAUSE OPEN CIRCUIT.
12. THIS IS "Pb-FREE" CONNECTOR.

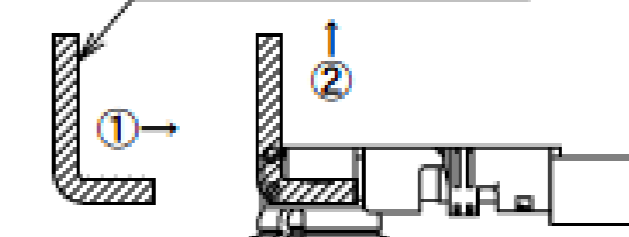
HATCHED AREA: Ni PLATING AREA



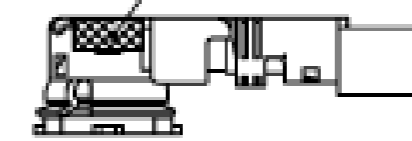
NOTE 10.



NOTE 11-2-1. PULLING TOOL PART NO. 90192-001



NOTE 11-2-2. CATCHING AREA



NO.	DESCRIPTION	MATERIAL	FINISH, REMARKS
9	GROUND CONTACT	PHOSPHOR BRONZE	ALL OVER Ni 1.00 μm MIN. CONTACT PART Au 0.02 μm MIN. [Ni PLATING AREA] Ni ONLY
8	CONTACT	PHOSPHOR BRONZE	ALL OVER Ni 1.00 μm MIN. CONTACT PART Au 0.03 μm MIN.
7	HOUSING	PBT	UL94V-0, BLACK

Recommended P/N 20670-001R-\*\*-\*\*

PART NO.	20670-001R-08	20670-001R-13	20670-001R-32	20670-001R-18	CABLE CUT LENGTH
APPLICABLE CABLE NOMINAL DIMENSION					
INNER CONDUCTOR SILVER PLATING DIELECTRIC CORE	*SEE NOTE 14.				
BRAIDED SHIELD OF OUTER CONDUCTOR	SINGLE	SINGLE	DOUBLE	SINGLE	
PART NO. OF SEMI AUTO TERMINATION MACHINE	90213-008C	90213-013C	90213-032C	90232-018	
SECT. B-B					
SECT. A-A					
CRIMP HEIGHT	CH-1	1.34~1.40	1.34~1.40	1.34~1.40	
	CH-2	0.76~0.84	1.06~1.14	1.20~1.30	
	CH-3	0.85~0.97	1.15~1.35	1.26~1.46	

NOTE 13. MUST NOT USE SOLDER COATED INNER CONDUCTOR AND OUTER CONDUCTOR.

# MHF® I plug Ni top (0.81,1.13,1.32,1.37,1.80)

Recommended P/N 20670-001R-\*\*-\*\*

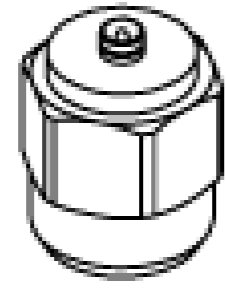
PART NO.		20670-001R-37	CABLE CUT LENGTH
APPLICABLE CABLE NOMINAL DIMENSION		<p>AWG #30(7/0.102) *SEE NOTE 15.</p>	
BRAIDED SHIELD OF OUTER CONDUCTOR		SINGLE	<p>CRIMP HEIGHT</p> <p>BLADE MICROMETER</p> <p>CH-1 i-Fit® PART</p> <p>CH-2 OUTER CONDUCTOR PART</p> <p>CH-3 JACKET PART</p>
PART NO. OF SEMI AUTO TERMINATION MACHINE		90232-037	
SECT. B-B			
SECT. A-A			
CRIMP HEIGHT	CH-1	1.34~1.40	
	CH-2	1.36~1.42	
	CH-3	1.28~1.34	

NOTE  
14. MUST NOT USE SOLDER COATED INNER CONDUCTOR AND OUTER CONDUCTOR.

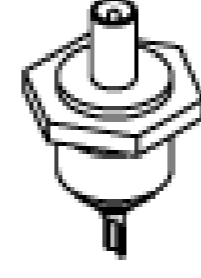
Rev.8

ITEMS	SPECIFICATION
RECOMMENDED APPLICABLE CONNECTOR PART No.	20279-001E-**-**
RATING VOLTAGE	60 V AC (R.M.S)
RATING FREQUENCY	DC~9GHz
OPERATING TEMPERATURE	233~363 K (-40°C~+90°C)
VSWR (MATED WITH SMA ADAPTER PART No:90193-001)	1.30 MAX. AT 0.1~3 GHz, 1.50 MAX. AT 3~6 GHz, 1.90 MAX. AT 6~9 GHz (0.81 O.D. / 1.13 O.D. / 1.37 O.D. / 1.80 O.D.) 1.30 MAX. AT 0.1~3 GHz, 1.50 MAX. AT 3~6 GHz, 1.60 MAX. AT 6~9 GHz (1.32 O.D.)
MAIN CONTACT RESISTANCE	INITIAL: 20 mohm MAX. / AFTER TEST: $\Delta$ R 20 mohm MAX.
GROUND CONTACT RESISTANCE	INITIAL: 20mohm MAX. / AFTER TEST: $\Delta$ R 100 mohm MAX.
INSULATION RESISTANCE	INITIAL: 500 Mohm MIN. / AFTER TEST: 100 Mohm MIN.
DIELECTRIC WITHSTANDING VOLTAGE	200 V AC, 1 MINUTE
DURABILITY	30 CYCLES
UNMATING FORCE (INITIAL / AFTER TEST)	5 N MIN. / 3 N MIN.
CRIMP STRENGTH	20670-001R-08, 20670-001R-13, 20670-001R-32: 10 N MIN. 20670-001R-18, 20670-001R-37: 15 N MIN.
PRODUCT SPECIFICATION	PRS-2105
TEST REPORT	TR-15059
PACKING STANDARD	300-233
INSTRUCTION MANUAL	HIM-10002
APPEARANCE CRITERIA No.	QLS-A***

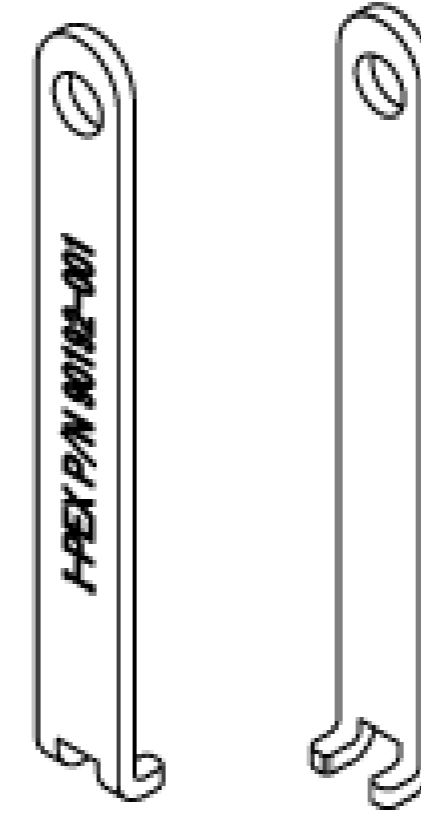
# Accessories for MHF<sup>®</sup> I plug



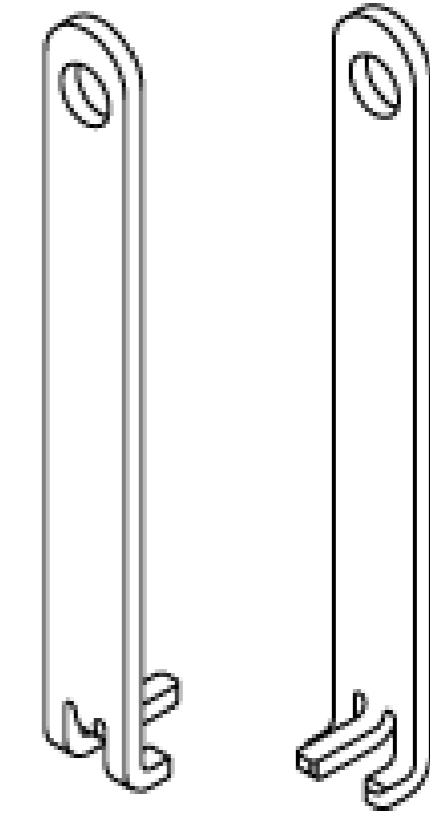
**MHF I SMA ADAPTOR**  
PART NO. 90193-001



**MHF I PLUG INSPECTION CONNECTOR**  
PART NO. 90194-001



FRONT SIDE BACK SIDE  
**MHF I UNMATING TOOL**  
PART NO. 90192-001

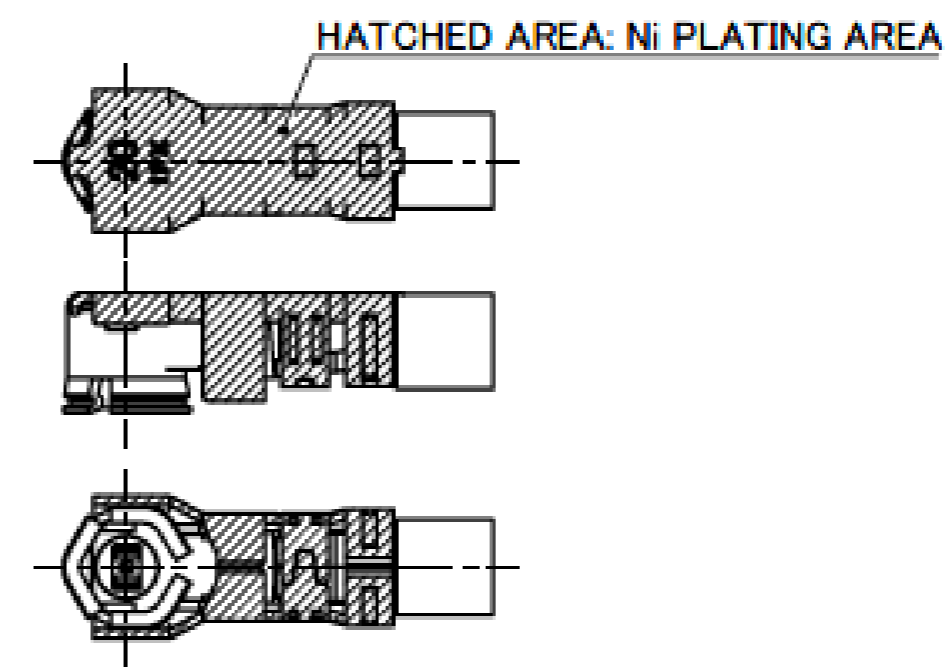
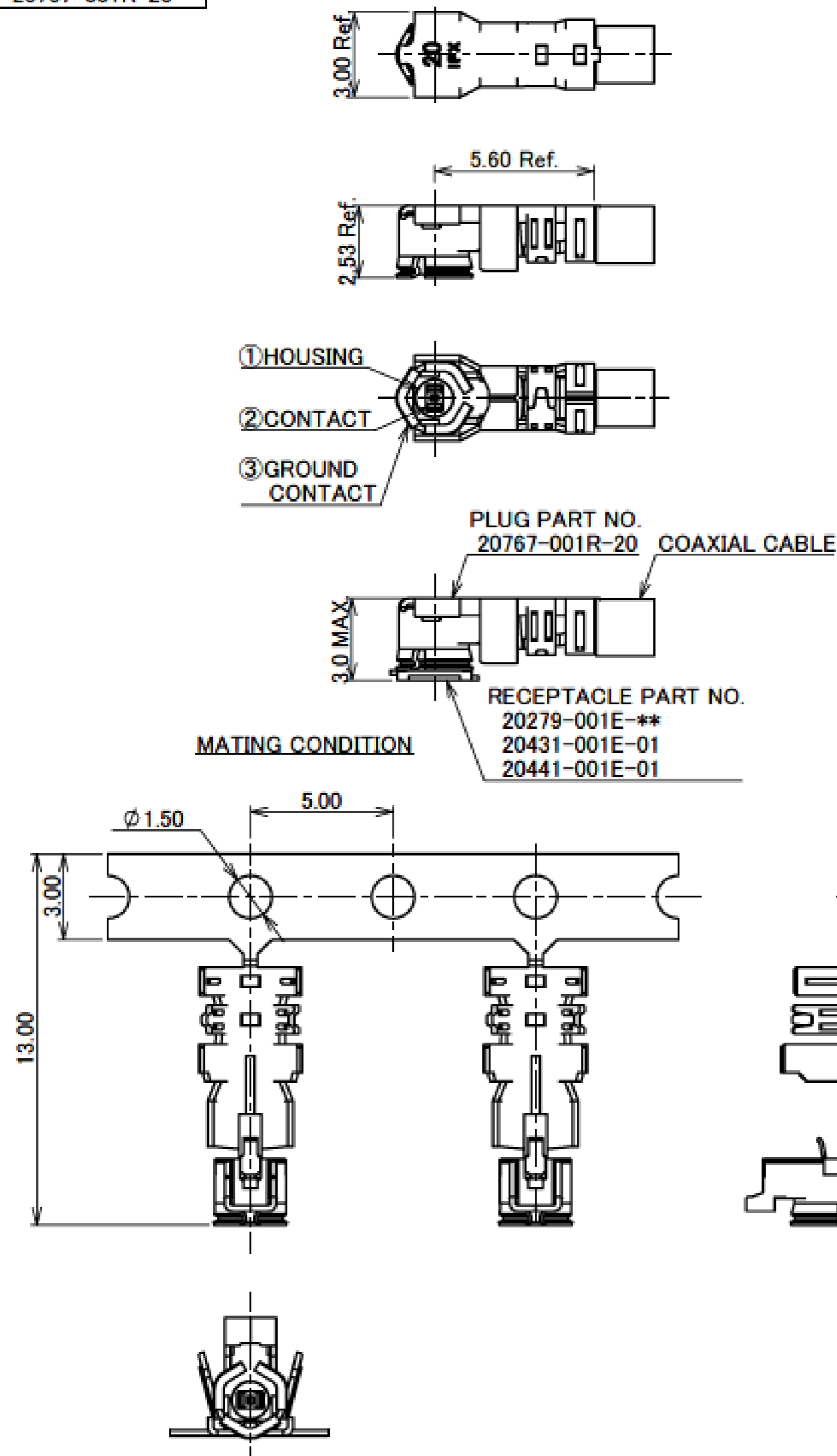


FRONT SIDE BACK SIDE  
**MHF I MATING AND UNMATING TOOL**  
PART NO. 90224-001

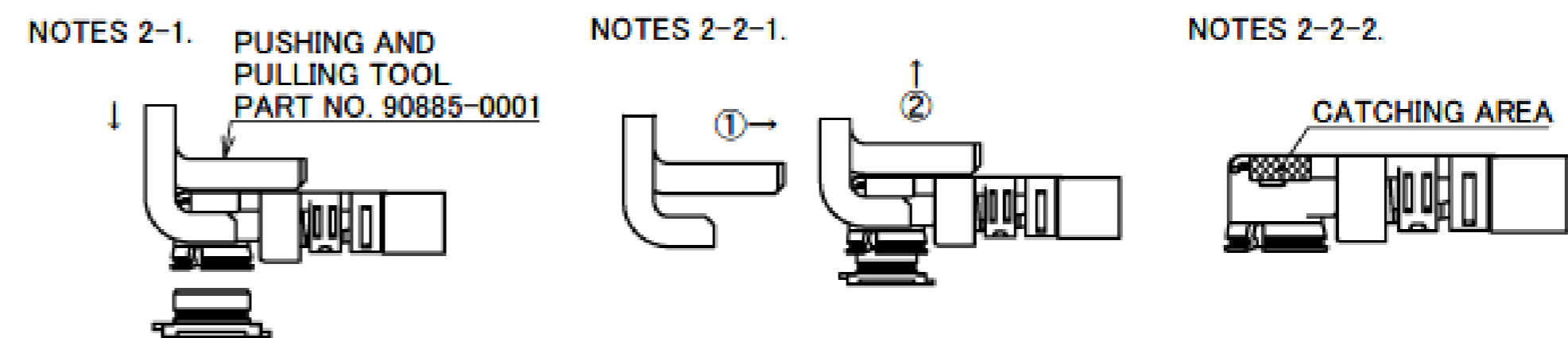
Rev.8

## MHF<sup>®</sup> I plug (2.0 mm Cable O.D.)

Recommended P/N	20767-001R-20
PART No.	20767-001R-20



- NOTES
- APPLICABLE CONNECTOR:  
20279-001E-\*\*, 20431-001E-01, 20441-001E-01
  - MATING AND UNMATING INSTRUCTION
- 2-1. MATING  
MATE THE CONNECTOR VERTICALLY AS MUCH AS POSSIBLE, ADJUSTING THE MATING AXIS OF PLUG AND RECEPTACLE. DO NOT SLANT MATE.
- 2-2. UNMATING
- 2-2-1. IN CASE OF UNMATING BY PULLING TOOL (PART NO. 90885-0001)  
USE THE PULLING TOOL AS THE FOLLOWING DRAWING, AND PLEASE PULL PLUG TO VERTICAL DIRECTION AS DIRECTLY AS POSSIBLE.
- 2-2-2. IN CASE OF UNMATING DIRECTLY BY HAND  
CATCH THE CATCHING AREA OF PLUG, AND PULL PLUG TO VERTICAL DIRECTION AS DIRECTLY AS POSSIBLE.



NO.	DESCRIPTION	MATERIAL	FINISH . REMARKS
3	GROUND CONTACT	PHOSPHOR BRONZE	ALL OVER Ni 1.00 $\mu$ m MIN. CONTACT PART Au 0.05 $\mu$ m MIN.
2	CONTACT	PHOSPHOR BRONZE	ALL OVER Ni 1.00 $\mu$ m MIN. CONTACT PART Au 0.10 $\mu$ m MIN.
1	HOUSING	PBT	UL94V-0, BLACK

Rev.6



## MHF® I plug (2.0 mm Cable O.D.)

PART NO.	20767-001R-20		
APPLICABLE CABLE NOMINAL DIMENSION 			
BRAIDED SHIELD OF OUTER CONDUCTOR	SINGLE		
PART NO. OF SEMI AUTO TERMINATION MACHINE	90876-020		
CRIMP HEIGHT	CH-1 i-Fit® PART	CH-2 SHIELD PART	CH-3 JACKET PART
	2.28~2.36	1.81~1.87	1.95~2.01

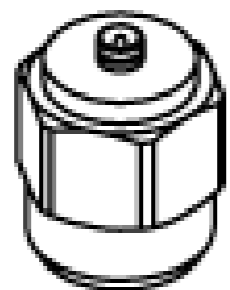
Rev.6

## MHF® I plug (2.0 mm Cable O.D.)

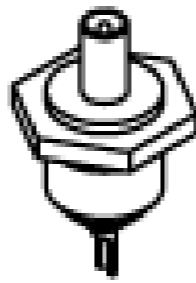
ITEMS	SPECIFICATION	
RECOMMENDED APPLICABLE CONNECTOR PART No.	20279-001E-**	20441-001E-01
RATING VOLTAGE	60 V AC (R.M.S)	
RATING FREQUENCY	DC~9GHz	
OPERATING TEMPERATURE	233~363 K (-40°C~+90°C)	
VSWR (MATED WITH SMA ADAPTER PART No.90193-001)	1.30 MAX. AT 0.1~3 GHz, 1.50 MAX. AT 3~6 GHz, 1.60 MAX. AT 6~9 GHz	
MAIN CONTACT RESISTANCE	INITIAL: 20 mohm MAX. / AFTER TEST: $\leq$ R 20 mohm MAX.	
GROUND CONTACT RESISTANCE	INITIAL: 20 mohm MAX. / AFTER TEST: $\leq$ R 100 mohm MAX.	
INSULATION RESISTANCE	INITIAL: 500 Mohm MIN. / AFTER TEST: 100 Mohm MIN.	
DIELECTRIC WITHSTANDING VOLTAGE	200 V AC, 1 MINUTE	
DURABILITY	30 CYCLES	
UNMATING FORCE (INITIAL / AFTER TEST)	5 N MIN. / 3 N MIN.	
CRIMP STRENGTH	15 N MIN.	
PRODUCT SPECIFICATION	PRS-2490	
TEST REPORT	TR-18041	
PACKING STANDARD	PST-16007	
INSTRUCTION MANUAL	HIM-17017	
APPEARANCE CRITERIA No.	QLS-A***	

Rev.6

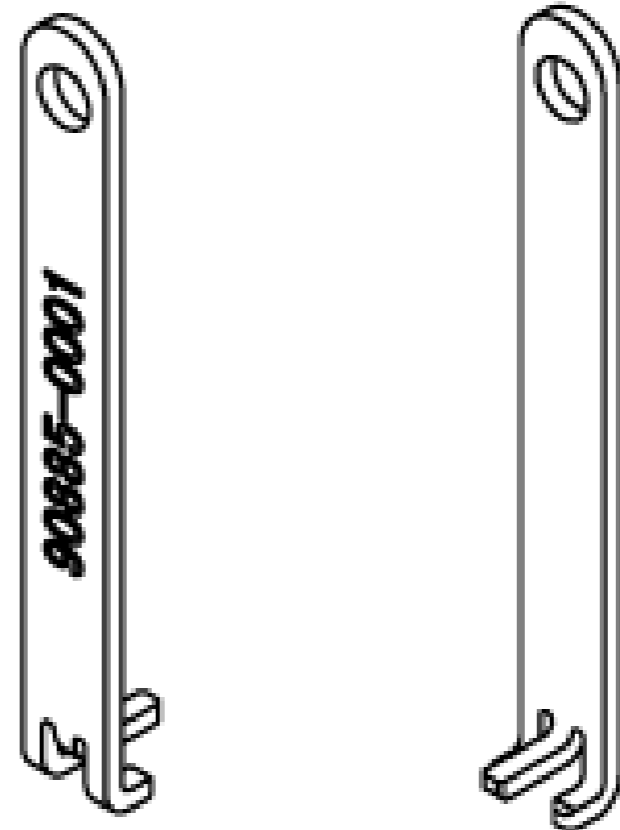
**Accessories for MHF® I plug (2.0 mm Cable O.D.)**



MHF I SMA ADAPTOR  
PART NO. 90193-001



MHF I PLUG INSPECTION CONNECTOR  
PART NO. 90194-001



FRONT SIDE      BACK SIDE  
MHF I 20 TYPE MATING AND UNMATING TOOL  
PART NO. 90885-0001

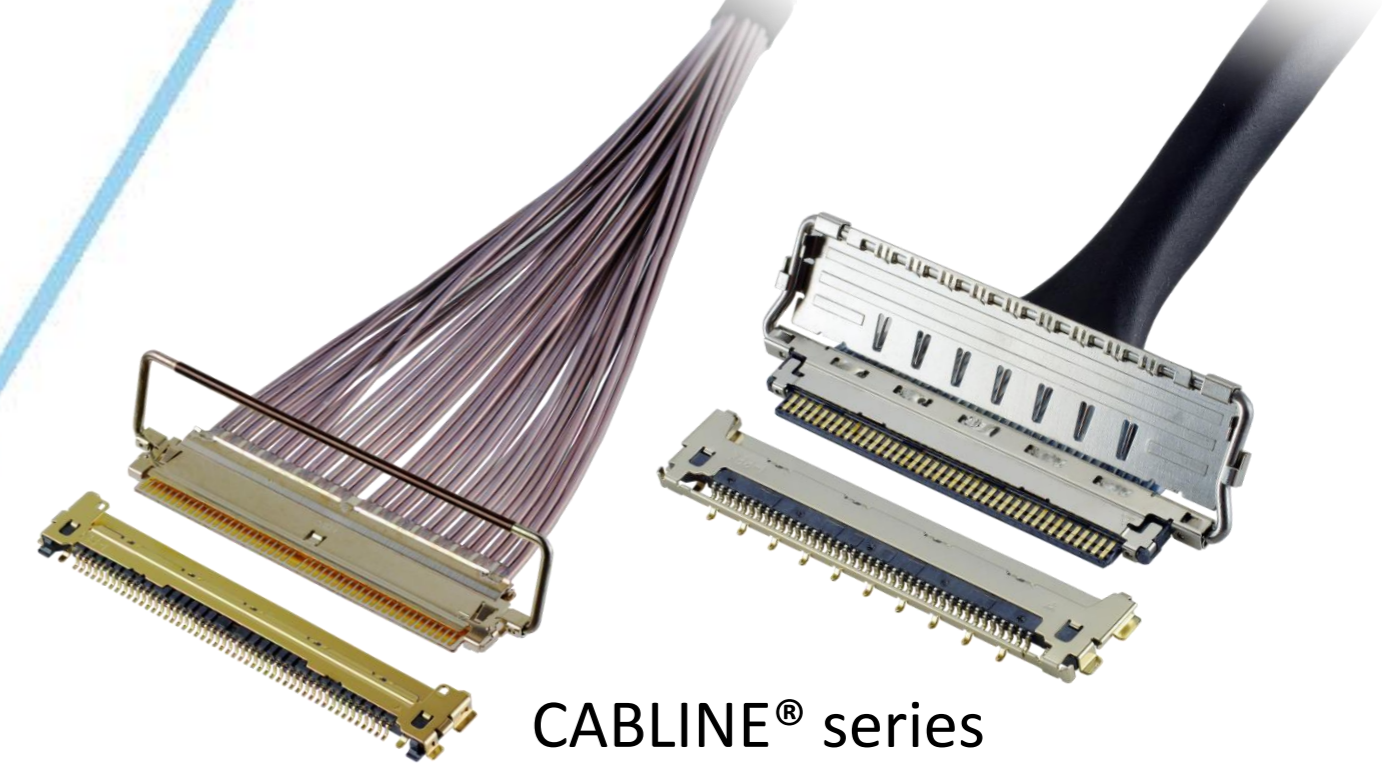
# Custom Products Available

## RF Connector

MHF® series



## Micro-coaxial/Twinax/ Discrete Wire Connector



CABLINE® series

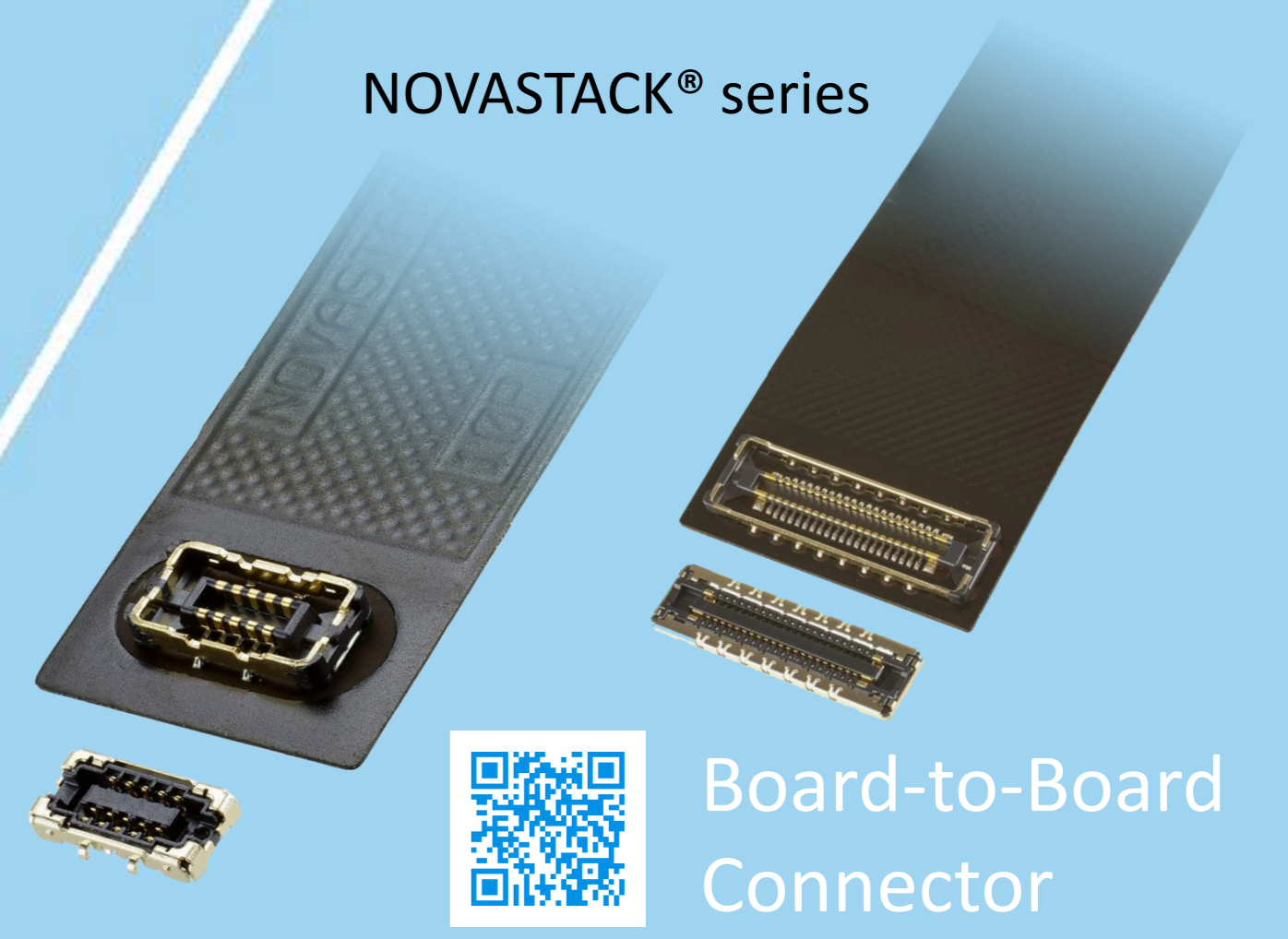


## Optical Module

LIGHTPASS® series



NOVASTACK® series



## Board-to-Board Connector



## Power Connector/ Terminal

AP series

ISH® series



MINIFLEX® series

EVAFLEX® series



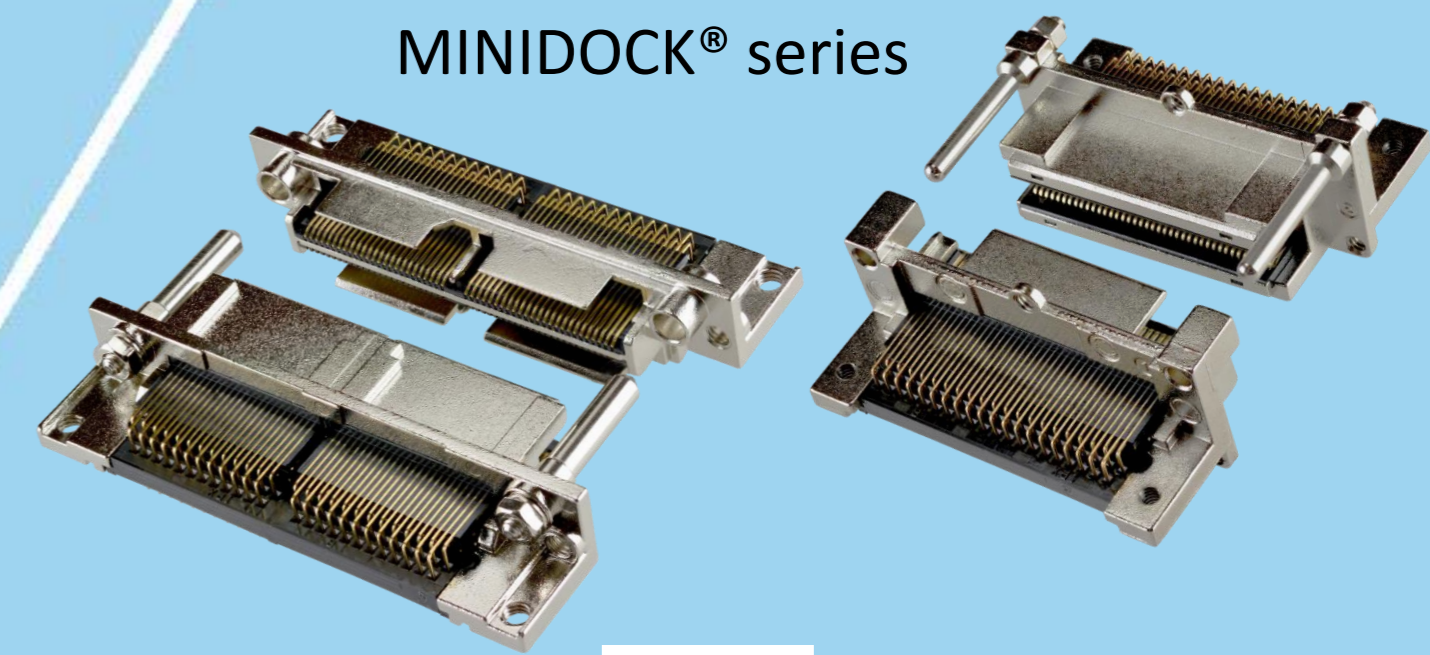
## FPC FFC Connector



Inquiry



MINIDOCK® series



## I/O Connector

I-PEX, MHF, CABLINE, LIGHTPASS, NOVASTACK, ISH, IARPB, MINIFLEX, EVAFLEX, MINIDOCKS and ZenShield are registered trademarks of I-PEX Inc. Please note that the contents in the catalog might be changed without prior notification. I-PEX Inc. assumes no responsibility for any inaccuracies or obligation to update information on these documents. Please be sure to read and understand the latest "Precautions for Use" and "Instruction Manual" before you use our products. We shall not be responsible for any defects, damages or troubles in case you use our products without following the precautions for use. Please feel free to contact our sales representatives when you use our products for any applications that require very high reliability and safety, or that relate to human life (ex. nuclear power control, aerospace, transportation, medical equipment, safety equipment etc.).

Contact your sales representative or more detailed information.

[www.i-pex.com](http://www.i-pex.com)



# I-PEX

© I-PEX Inc. 2024  
All rights reserved