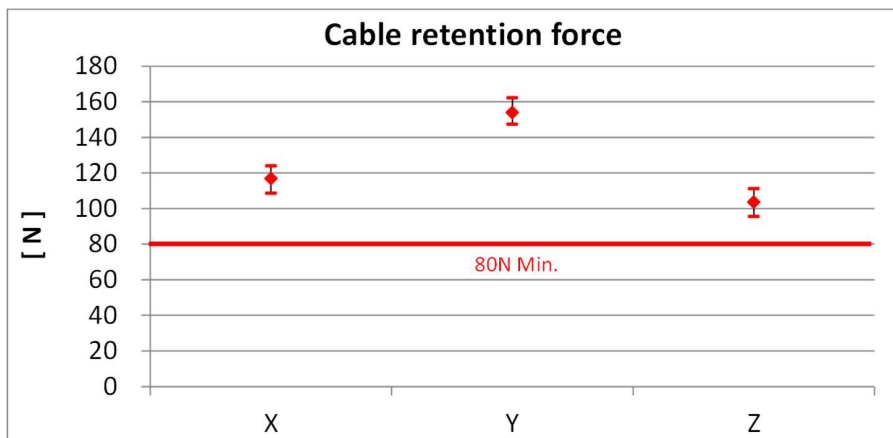
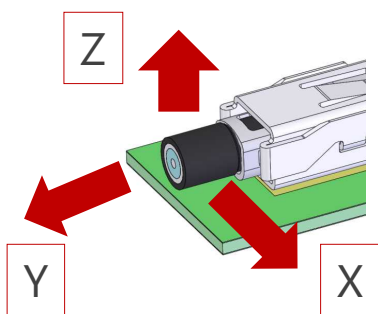




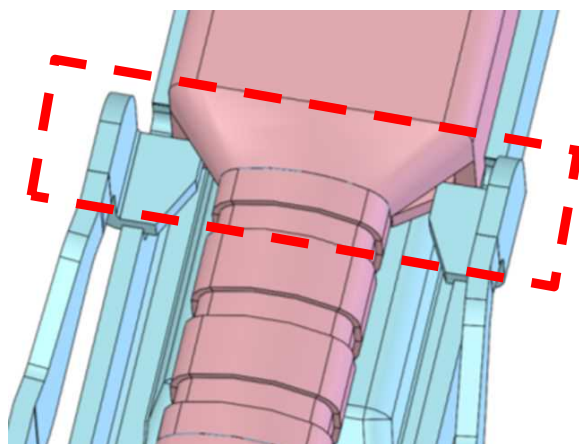
- ✓ 80N min.の高嵌合保持力
- ✓ メカニカル嵌合ロック機構
- ✓ 外径2.4-3.0mmワイヤー結線可能

Maximum height (mm)	3.4	
Outside dimension of receptacle(mm)	9.4 x 5.2	
Applicable wire gauge	RG174 type O.D. 2.4 mm / AWG 26 O.D. 3.0 mm / AWG 24	
Frequency	DC~6 GHz	
VSWR (L=100 mm)	DC~3 GHz	1.3 max.
	3 GHz~6 GHz	1.5 max.
	6 GHz~9 GHz	-
	9 GHz~12 GHz	-
	12 GHz~15 GHz	-
Service temp. (Celsius)	-40 degree ~ +105 degree	
Characteristic impedance	50 ohm	
Rated voltage	AC60V	
Contact resistance	20m ohm max.	
Withstand voltage	AC200V/min	
Insulation resistance	500M ohm min./DC100V	

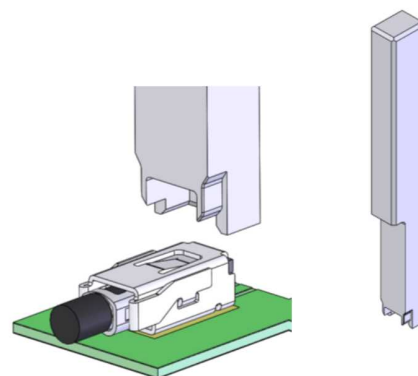
## 80N min.の高嵌合保持力



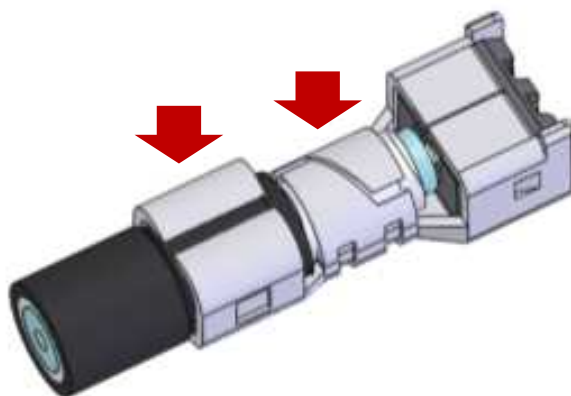
## メカニカル嵌合ロック機構



抜去用JIG



## 強固なかしめ構造による外径2.4-3.0mmワイヤー結線可能



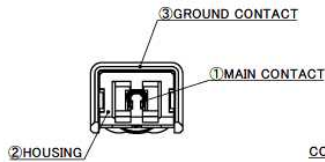
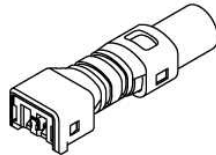
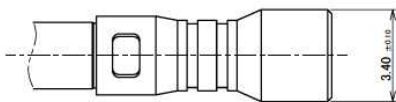
# MHF<sup>®</sup>-TI

## Component Parts Detail

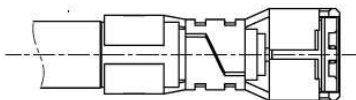
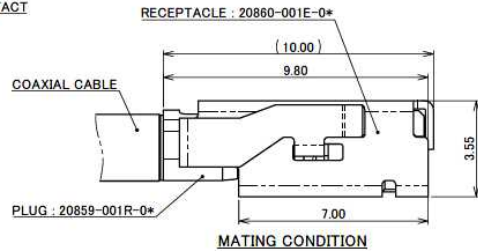
### MHF<sup>®</sup>-TI Plug

Recommended P/N		20859-001R-0*
PART NO.	APPLICABLE CABLE	
20859-001R-00	Φ 2.46 ~ Φ 2.80	
20859-001R-01	Φ 2.80 ~ Φ 3.00	

OFFERED AS HARNESS ONLY.



- NOTES.
1. APPLICABLE CONNECTOR  
MHF-TI RECEPTACLE(P/N: 20860-001E-01)
  2. APPLICABLE CABLE  
AWG#24~26, Φ 2.46 ~ 3.0mm  
Φ 2.46 ~ Φ 2.80 20589-001R-00  
Φ 2.80 ~ Φ 3.00 20589-001R-01
  3. APPLICABLE FREQUENCY RANGE: DC TO 6 GHz
  4. RoHS COMPLIANT  
THIS PRODUCT IS COMPLIANT WITH RoHS DIRECTIVE.
  5. HALOGEN FREE  
THIS PRODUCT IS CONFORMED TO IEC 61249-2-21.



3	GROUND CONTACT	PHOSPHOR BRONZE	Sn PLATING
2	HOUSING	LCP	UL94V-0, BLACK
1	MAIN CONTACT	BRASS	Au PLATING
NO.	DESCRIPTION	MATERIAL	FINISH, REMARKS

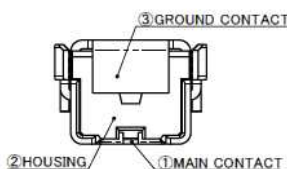
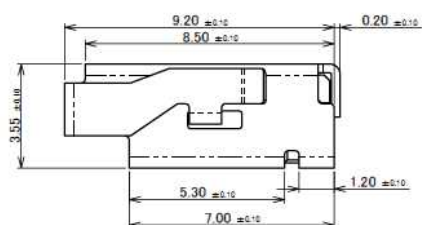
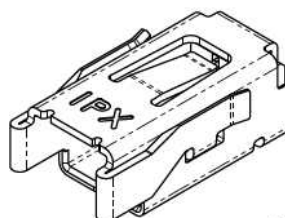
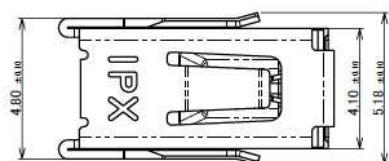
# MHF® -TI Plug

ITEMS	SPECIFICATION
RECOMMENDED APPLICABLE CONNECTOR PART No.	20860-001E-0*
RATING AMPERAGE	100mA AC/DC
RATING FREQUENCY	DC~6 GHz
OPERATING TEMPERATURE	233~358K (-40°C~+85°C)
OPERATING HUMIDITY	85% MAX. (NON-CONDENSING)
VSWR	1.5 MAX. AT DC~6 GHz
MAIN CONTACT RESISTANCE	INITIAL: 20 mohm MAX. / AFTER TEST: 30 mohm MAX.
GROUND CONTACT RESISTANCE	INITIAL: 15 mohm MAX. / AFTER TEST: 25 mohm MAX.
INSULATION RESISTANCE	INITIAL: 500 Mohm MIN. / AFTER TEST: 100 Mohm MIN.
DIELECTRIC WITHSTANDING VOLTAGE	200 V AC, 1 MINUTE
DURABILITY	30 CYCLES
MATING FORCE	45N MAX.
MATING LOCK STRENGTH	110 N MIN
CRIMP STRENGTH	90 N MIN.
PRODUCT SPECIFICATION	PRS-2573
TEST REPORT	TR-20007
INSTRUCTION MANUAL	HIM-20001
APPEARANCE CRITERIA No.	QLS-A***

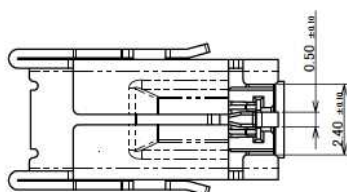
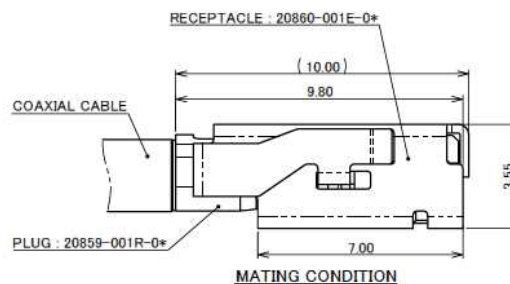
Rev.1

# MHF® -TI Receptacle

Recommended P/N	20860-001E-01
PART NO.	REMARK
20860-001E-00	WITHOUT JIG GUIDE
20860-001E-01	WITH JIG GUIDE



- NOTES
1. APPLICABLE CONNECTOR  
MHF-TI PLUG(P/N: 20859-001R-0\*)
  2. APPLICABLE FREQUENCY RANGE: DC TO 6 GHz
  3. COPLANARITY : 0.1MAX.
  4. RoHS COMPLIANT  
THIS PRODUCT IS COMPLIANT WITH RoHS DIRECTIVE.
  5. HALOGEN FREE  
THIS PRODUCT IS CONFORMED TO IEC 61249-2-21.



3	GROUND CONTACT	PHOSPHOR BRONZE	Sn PLATING
2	HOUSING	LCP	UL94V-0, BLACK
1	MAIN CONTACT	CORSON ALLOY	Au PLATING
NO.	DESCRIPTION	MATERIAL	FINISH, REMARKS

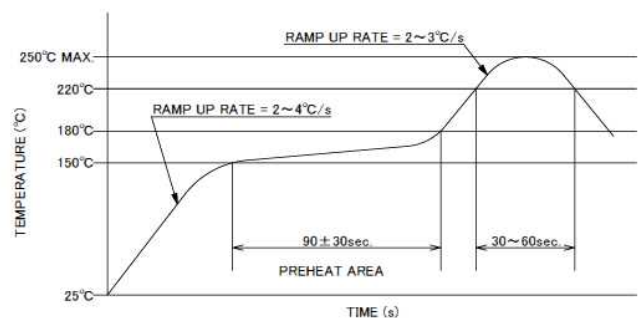
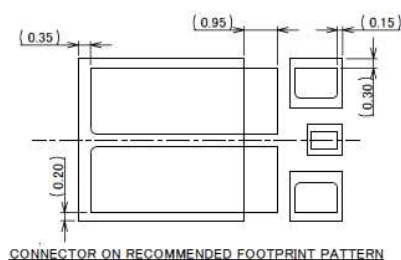
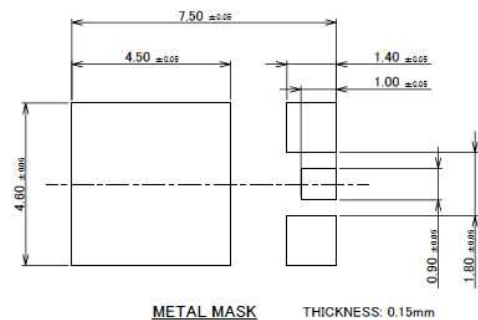
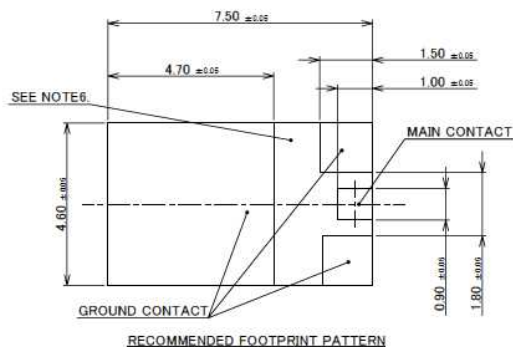
Rev.2

# MHF® -TI Receptacle

ITEMS	SPECIFICATION
APPLICABLE CONNECTOR PART No.	20859-001R-0*
RATING AMPERAGE	100mA AC/DC
RATING FREQUENCY	DC~6 GHz
OPERATING TEMPERATURE	233~358K (-40°C~+85°C)
OPERATING HUMIDITY	85% MAX. (NON-CONDENSING)
VSWR	1.5 MAX. AT DC~6 GHz
MAIN CONTACT RESISTANCE	INITIAL: 20 mohm MAX. / AFTER TEST: 30 mohm MAX.
GROUND CONTACT RESISTANCE	INITIAL: 15 mohm MAX. / AFTER TEST: 25 mohm MAX.
INSULATION RESISTANCE	INITIAL : 500 Mohm MIN. / AFTER TEST : 100 Mohm MIN.
DIELECTRIC WITHSTANDING VOLTAGE	200 V AC, 1 MINUTE
DURABILITY	30 CYCLES
MATING FORCE	45N MAX..
MATING LOCK STRENGTH	110 N MIN
CRIMP STRENGTH	90 N MIN.
PRODUCT SPECIFICATION	PRS-2573
TEST REPORT	TR-20007
PACKING STANDARD	PST-18032
INSTRUCTION MANUAL	HIM-20001
APPEARANCE CRITERIA No.	QLS-A***

Rev.2

# MHF® -TI Receptacle



REFLOW TEMPERATURE PROFILE  
SENJU METAL INDUSTRY CO., LTD. : M705-SHF(Sn96.5 Ag3.0 Cu0.5)

NOTES:  
6. CUT OUT PROHIBITION AREA

Rev.2



Copyright © I-PEX Inc. 2020. All rights reserved.

I-PEX, MHF, CABLINE, NOVASTACK, EVAFLEX, MINIFLEX, ISH, IARPB, IASLP, ESTORQ, i-Fit, ISFIT はI-PEX株式会社の登録商標です。本書の記載内容については、予告なく変更することがありますのでご了承ください。内容に含まれる情報の正確性や更新義務について当社は一切の責任を負いません。ご使用前に「使用上の注意」および「取扱説明書」の最新版を必ずご覧ください、ご理解のうえご使用ください。使用上の注意事項に反して本製品をご使用したことによって生じた不具合、故障及び事故に関し、当社は一切その責任を負いません。極めて高い信頼性・安全性が要求される用途や人命に関わる用途(原子力・航空宇宙・運輸・医療・安全装置等)への使用に関しましては、事前に当社営業窓口までご相談ください。

詳しい情報については、営業窓口までお問い合わせください。 [ [i-pex.com](http://i-pex.com) ]