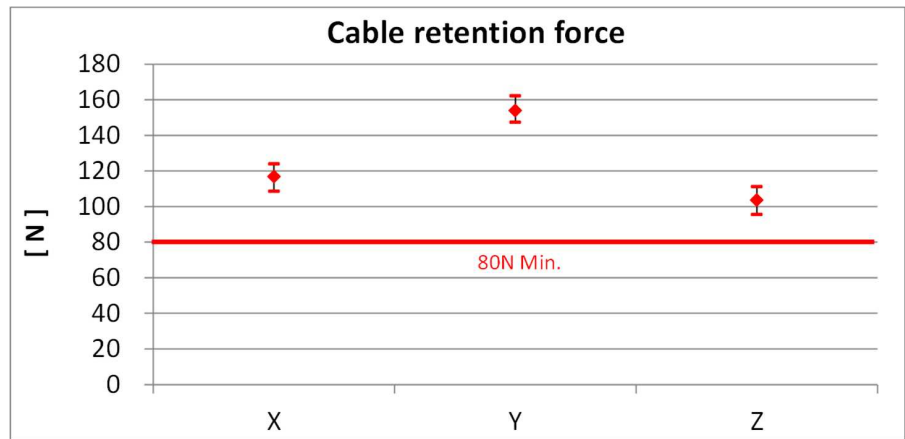
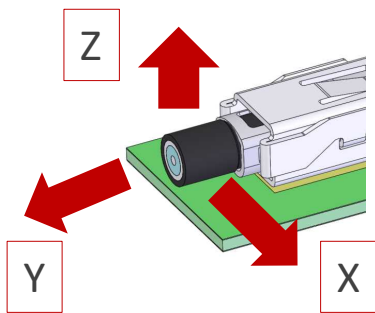




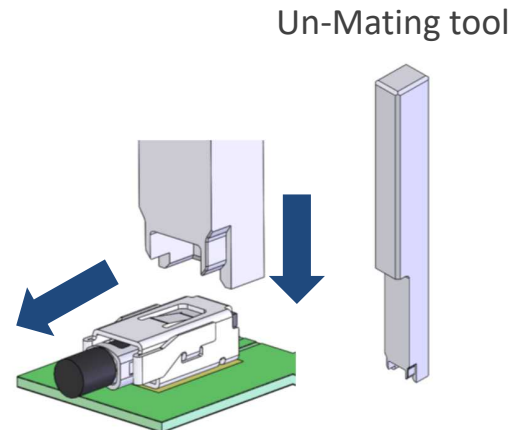
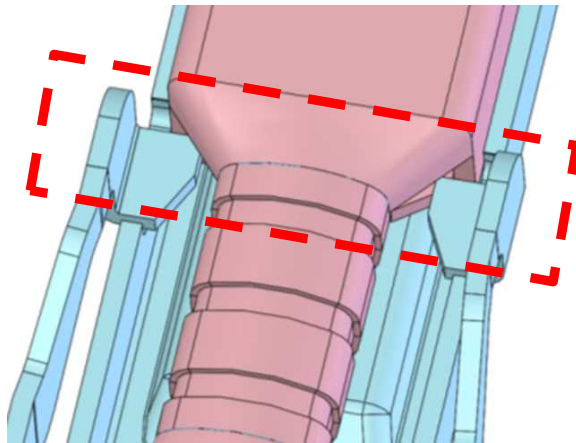
- ✓ 80N min. high retention force
- ✓ Mechanical locking system for permanent connection
- ✓ 2.4-3.0 mm O.D. thick wire available with reliable crimping structure

Maximum height (mm)	3.4	
Outside dimension of receptacle(mm)	9.4 x 5.2	
Applicable wire gauge	RG174 type O.D. 2.4 mm / AWG 26 O.D. 3.0 mm / AWG 24	
Frequency	DC~6 GHz	
VSWR (L=100 mm)	DC~3 GHz	1.3 max.
	3 GHz~6 GHz	1.5 max.
	6 GHz~9 GHz	-
	9 GHz~12 GHz	-
	12 GHz~15 GHz	-
Service temp. (Celsius)	-40 degree ~ +105 degree	
Characteristic impedance	50 ohm	
Rated voltage	AC60V	
Contact resistance	20m ohm max.	
Withstand voltage	AC200V/min	
Insulation resistance	500M ohm min./DC100V	

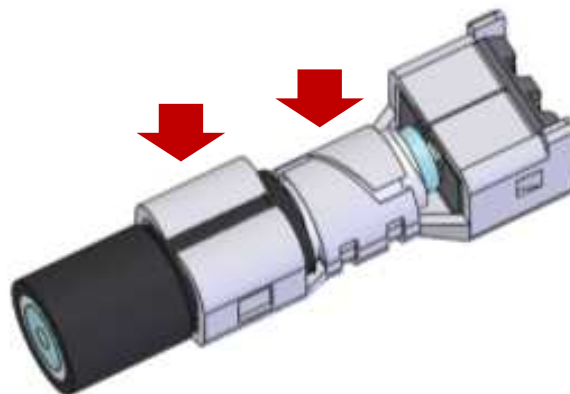
80N min. high retention force



Mechanical locking system for permanent connection



2.4 - 3.0 mm O.D. thick wire available with reliable crimping structure



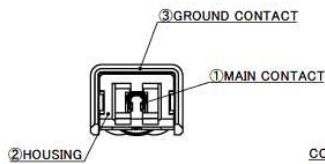
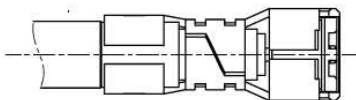
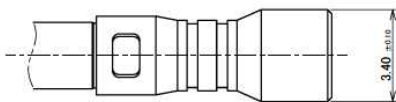
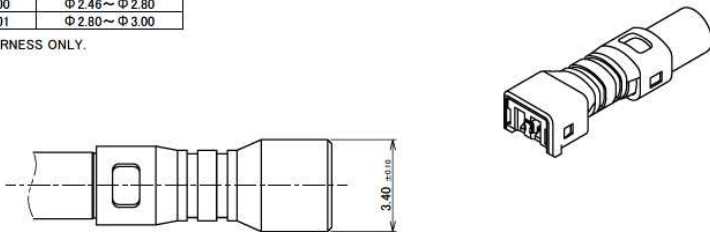
MHF[®]-TI

Component Parts Detail

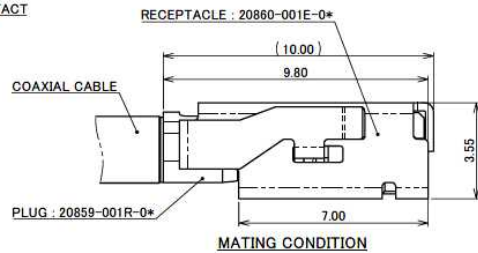
MHF[®]-TI Plug

Recommended P/N		20859-001R-0*
PART NO.	APPLICABLE CABLE	
20859-001R-00	Φ 2.46 ~ Φ 2.80	
20859-001R-01	Φ 2.80 ~ Φ 3.00	

OFFERED AS HARNESS ONLY.



- NOTES.
1. APPLICABLE CONNECTOR
MHF-TI RECEPTACLE(P/N: 20860-001E-01)
 2. APPLICABLE CABLE
AWG#24~26, Φ2.46 ~ 3.0mm
Φ 2.46 ~ Φ 2.80 20589-001R-00
Φ 2.80 ~ Φ 3.00 20589-001R-01
 3. APPLICABLE FREQUENCY RANGE: DC TO 6 GHz
 4. RoHS COMPLIANT
THIS PRODUCT IS COMPLIANT WITH RoHS DIRECTIVE.
 5. HALOGEN FREE
THIS PRODUCT IS CONFORMED TO IEC 61249-2-21.



3	GROUND CONTACT	PHOSPHOR BRONZE	Sn PLATING
2	HOUSING	LCP	UL94V-0, BLACK
1	MAIN CONTACT	BRASS	Au PLATING
NO.	DESCRIPTION	MATERIAL	FINISH, REMARKS

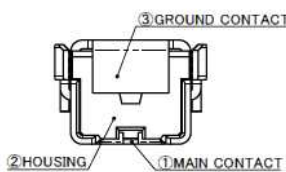
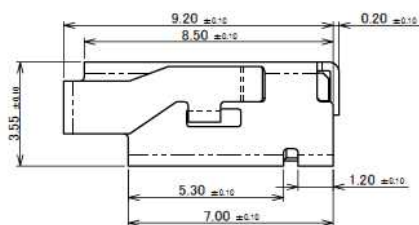
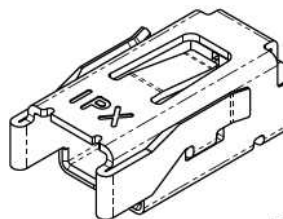
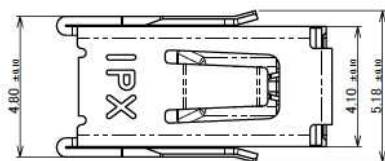
MHF® -TI Plug

ITEMS	SPECIFICATION
RECOMMENDED APPLICABLE CONNECTOR PART No.	20860-001E-0*
RATING AMPERAGE	100mA AC/DC
RATING FREQUENCY	DC~6 GHz
OPERATING TEMPERATURE	233~358K (-40°C~+85°C)
OPERATING HUMIDITY	85% MAX. (NON-CONDENSING)
VSWR	1.5 MAX. AT DC~6 GHz
MAIN CONTACT RESISTANCE	INITIAL: 20 mohm MAX. / AFTER TEST: 30 mohm MAX.
GROUND CONTACT RESISTANCE	INITIAL: 15 mohm MAX. / AFTER TEST: 25 mohm MAX.
INSULATION RESISTANCE	INITIAL: 500 Mohm MIN. / AFTER TEST: 100 Mohm MIN.
DIELECTRIC WITHSTANDING VOLTAGE	200 V AC, 1 MINUTE
DURABILITY	30 CYCLES
MATING FORCE	45N MAX.
MATING LOCK STRENGTH	110 N MIN
CRIMP STRENGTH	90 N MIN.
PRODUCT SPECIFICATION	PRS-2573
TEST REPORT	TR-20007
INSTRUCTION MANUAL	HIM-20001
APPEARANCE CRITERIA No.	QLS-A***

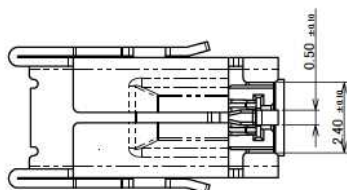
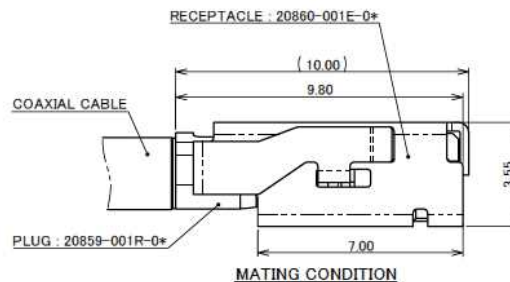
Rev.1

MHF® -TI Receptacle

Recommended P/N	20860-001E-01
PART NO.	REMARK
20860-001E-00	WITHOUT JIG GUIDE
20860-001E-01	WITH JIG GUIDE



- NOTES
1. APPLICABLE CONNECTOR
MHF-TI PLUG(P/N: 20859-001R-0*)
 2. APPLICABLE FREQUENCY RANGE: DC TO 6 GHz
 3. COPLANARITY : 0.1MAX.
 4. RoHS COMPLIANT
THIS PRODUCT IS COMPLIANT WITH RoHS DIRECTIVE.
 5. HALOGEN FREE
THIS PRODUCT IS CONFORMED TO IEC 61249-2-21.



3	GROUND CONTACT	PHOSPHOR BRONZE	Sn PLATING
2	HOUSING	LCP	UL94V-0, BLACK
1	MAIN CONTACT	CORSON ALLOY	Au PLATING
NO.	DESCRIPTION	MATERIAL	FINISH, REMARKS

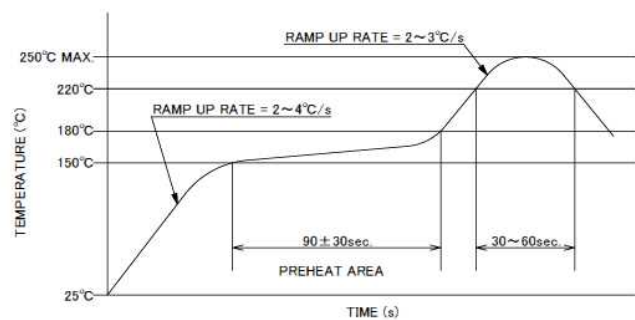
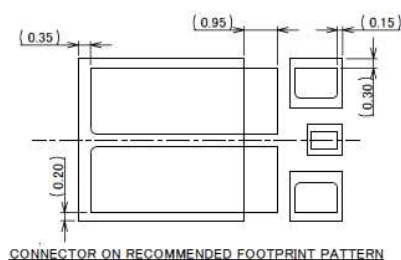
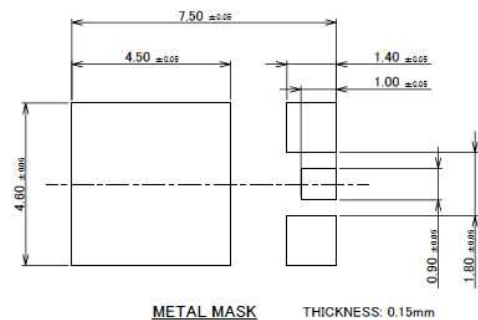
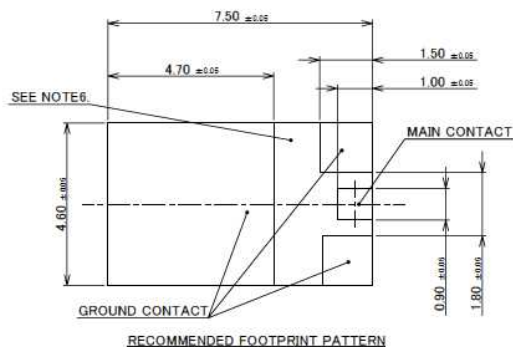
Rev.2

MHF® -TI Receptacle

ITEMS	SPECIFICATION
APPLICABLE CONNECTOR PART No.	20859-001R-0*
RATING AMPERAGE	100mA AC/DC
RATING FREQUENCY	DC~6 GHz
OPERATING TEMPERATURE	233~358K (-40°C~+85°C)
OPERATING HUMIDITY	85% MAX. (NON-CONDENSING)
VSWR	1.5 MAX. AT DC~6 GHz
MAIN CONTACT RESISTANCE	INITIAL: 20 mohm MAX. / AFTER TEST: 30 mohm MAX.
GROUND CONTACT RESISTANCE	INITIAL: 15 mohm MAX. / AFTER TEST: 25 mohm MAX.
INSULATION RESISTANCE	INITIAL : 500 Mohm MIN. / AFTER TEST : 100 Mohm MIN.
DIELECTRIC WITHSTANDING VOLTAGE	200 V AC, 1 MINUTE
DURABILITY	30 CYCLES
MATING FORCE	45N MAX..
MATING LOCK STRENGTH	110 N MIN
CRIMP STRENGTH	90 N MIN.
PRODUCT SPECIFICATION	PRS-2573
TEST REPORT	TR-20007
PACKING STANDARD	PST-18032
INSTRUCTION MANUAL	HIM-20001
APPEARANCE CRITERIA No.	QLS-A***

Rev.2

MHF® -TI Receptacle



REFLOW TEMPERATURE PROFILE
SENJU METAL INDUSTRY CO., LTD. : M705-SHF(Sn96.5 Ag3.0 Cu0.5)

NOTES:
6. CUT OUT PROHIBITION AREA

Rev.2



Copyright © I-PEX Inc. 2020. All rights reserved.

I-PEX, MHF, CABLINE, NOVASTACK, EVAFLEX, MINIFLEX, ISH, IARPB, IASLP, ESTORQ, i-Fit and ISFIT are registered trademarks of I-PEX Inc. Please note that the contents in the catalog might be changed without prior notification. I-PEX Inc. assumes no responsibility for any inaccuracies or obligation to update Information on these documents. Please be sure to read and understand the latest "Precautions for Use" and "Instruction Manual" before you use our products. We shall not be responsible for any defects, damages or troubles in case you use our products without following the precautions for use. Please feel free to contact our sales representatives when you use our products for any applications that require very high reliability and safety, or that relate to human life (ex. nuclear power control, aerospace, transportation, medical equipment, safety equipment etc.).

Contact your sales representative for more detailed information. [i-pex.com]