

# LIGHTPASS™-EOB 100G

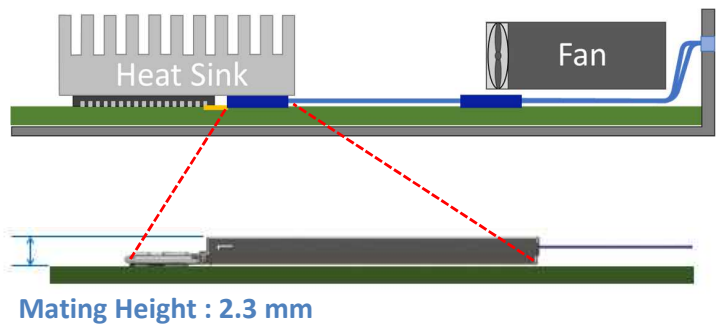
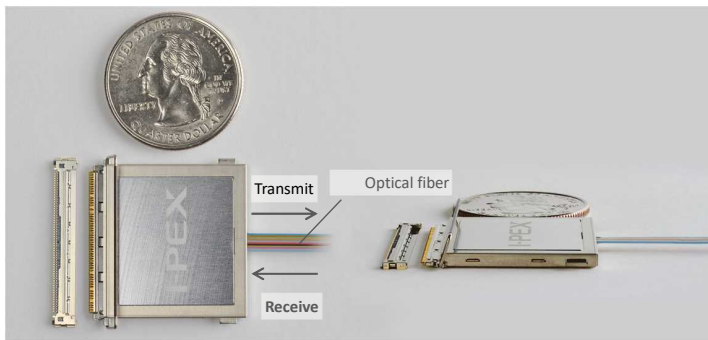
100 G (25 Gbps x 4 ch) Bi-directional, Low profile, MPU integrated, Low power consumption, photoelectric conversion module



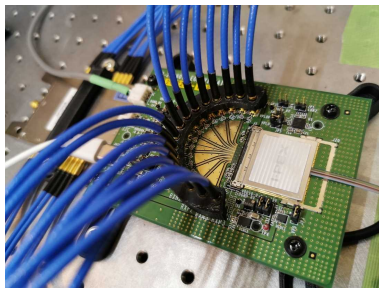
- ✓ Ultra-Thin Mating Height : 2.3 mm
- ✓ High-Speed Transmission: 100 Gbps (25 Gbps x 4 Channels)
- ✓ MPU Integrated Active Optical Module

P/N	88002-000T-25-01
Mating Height	2.3 mm
Type	4 TX/RX , integrated MPU
High Channel Capacity	100 Gbps (25 Gbps x 4)
Link length	Up to 300 m at 25 Gbps with 1,310 nm optimized
Electrical interface	I-PEX CABLINE®-CA
Optical interface	12 core MT Connector via 12 core Multi Mode Fiber

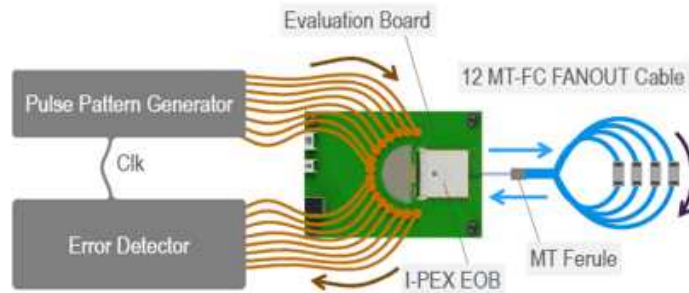
## Ultra-Thin Mating Height : 2.3 mm



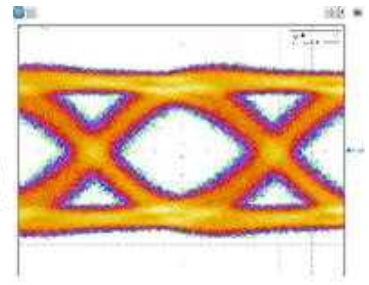
## Hight Speed Transmission : 100 Gbps (25 Gbps x 4 Channel)



Evaluation Board

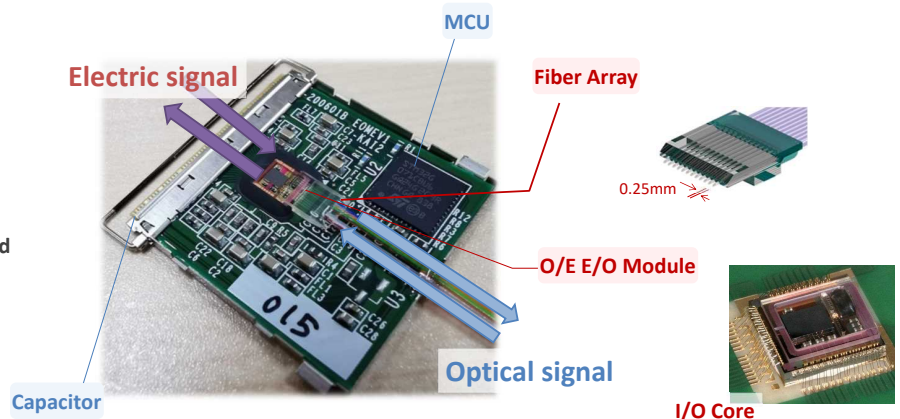
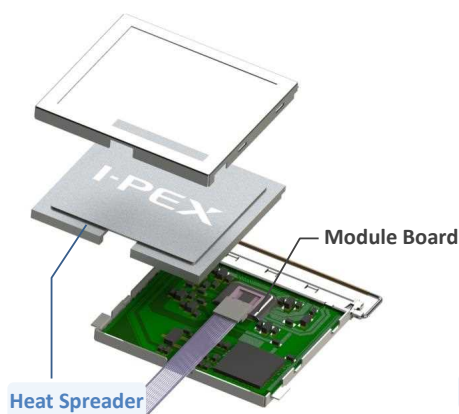


Test Fixture



Eye pattern

## MPU integrated Active Optical Module



# LIGHTPASS™-EOB 100G

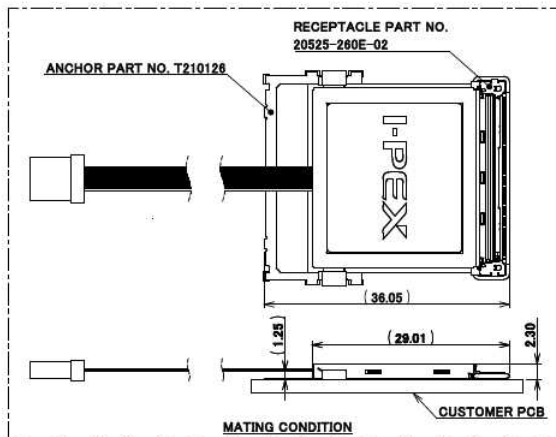
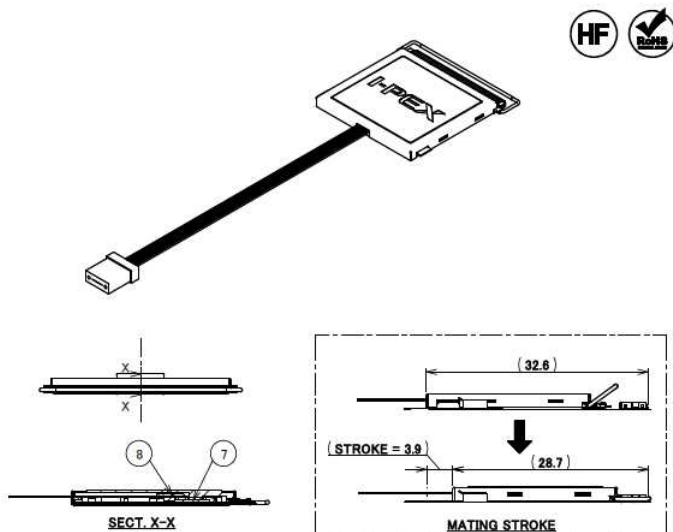
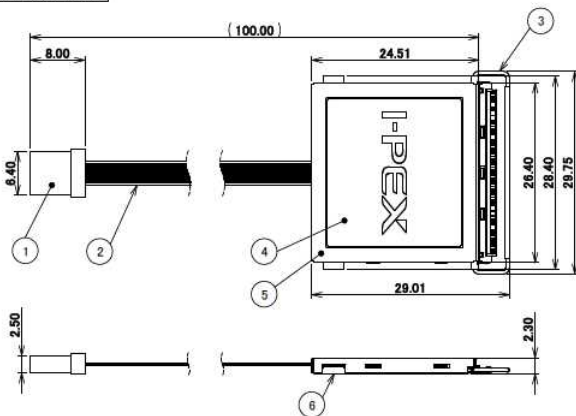
## Component Parts Detail

### EOB 100G Optical Module:

Recommended P/N 88002-000T-25-01

PART NO.

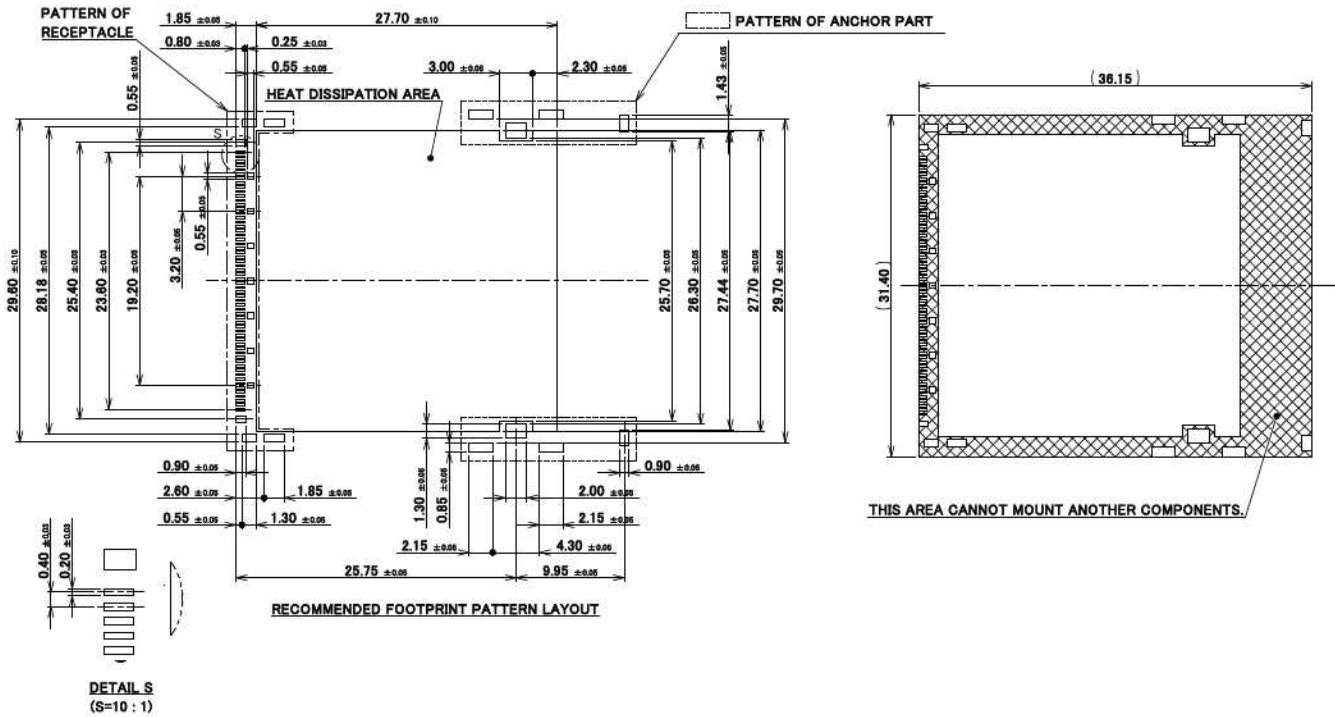
88002-000T-25-01



8	OPTICAL CONNECTER	-	-
7	OPTICAL I/O CORE P/N PAA-XW8001-ESB	-	TIP NUMBERING
6	SHELL-B	COPPER ALLOY	NICKEL PLATING
5	SHELL-A	COPPER ALLOY	NICKEL PLATING
4	HEAT SPREADER	ALUMINUM	ANODIZING
3	CABLIN™-CAF SHELL ASS'Y P/N 20858-060T-01	-	-
2	12-CORE TAPE FIBER	-	-
1	12-MT FERRULE	-	-
NO.	DESCRIPTION	MATERIAL	FINISH, REMARKS

Rev.0

# EOB 100G Optical Module:



Rev.0



© I-PEX Inc. 2021. All rights reserved.

I-PEX, MHF, CABLINE, NOVASTACK, EVAFLEX, MINIFLEX, ISH, IARPB, IASLP, ESTORQ, ISFIT, i-Fit and ZenShield are registered trademarks of I-PEX Inc. Please note that the contents in the catalog might be changed without prior notification. I-PEX Inc. assumes no responsibility for any inaccuracies or obligation to update Information on these documents. Please be sure to read and understand the latest "Precautions for Use" and "Instruction Manual" before you use our products. We shall not be responsible for any defects, damages or troubles in case you use our products without following the precautions for use. Please feel free to contact our sales representatives when you use our products for any applications that require very high reliability and safety, or that relate to human life (ex. nuclear power control, aerospace, transportation, medical equipment, safety equipment etc.).

Contact your sales representative for more detailed information. [ [www.i-pex.com](http://www.i-pex.com) ]