

IARPB[®] (Vertical Type)

抗振,一體式,線對板連接器

Product Specifications:

Pitch (mm max.)	2.5	
Contact Size (mm)	φ0.7	
Mated Height (mm max.)	8.4	
Width formula (mm)	Single row: 1.5+2.5*?pin	
Operating Temperature	-40 - 125°C	
Vibration Resistance	6G	
Current Rating	3A per pin	
Voltage Rating	250V	
Withstand Voltage	AC 1000V/minute	
Plating	Sn	
Housing	PBT GF15	
Pin counts	Range	Up to 10
	Available	2, 4, 7

Applicable Cable Size:

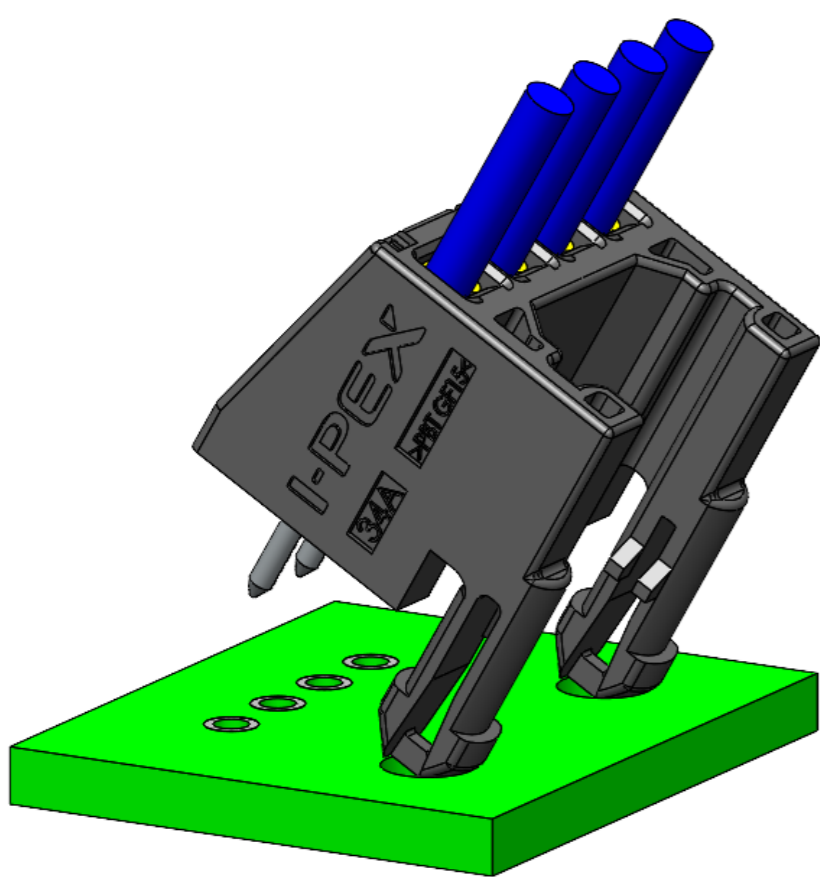
AWG#22 *Insulation Diameter 1.67 mm max.

*若有規格外 Pin 數需求,請與當地負責業務窗口聯繫.

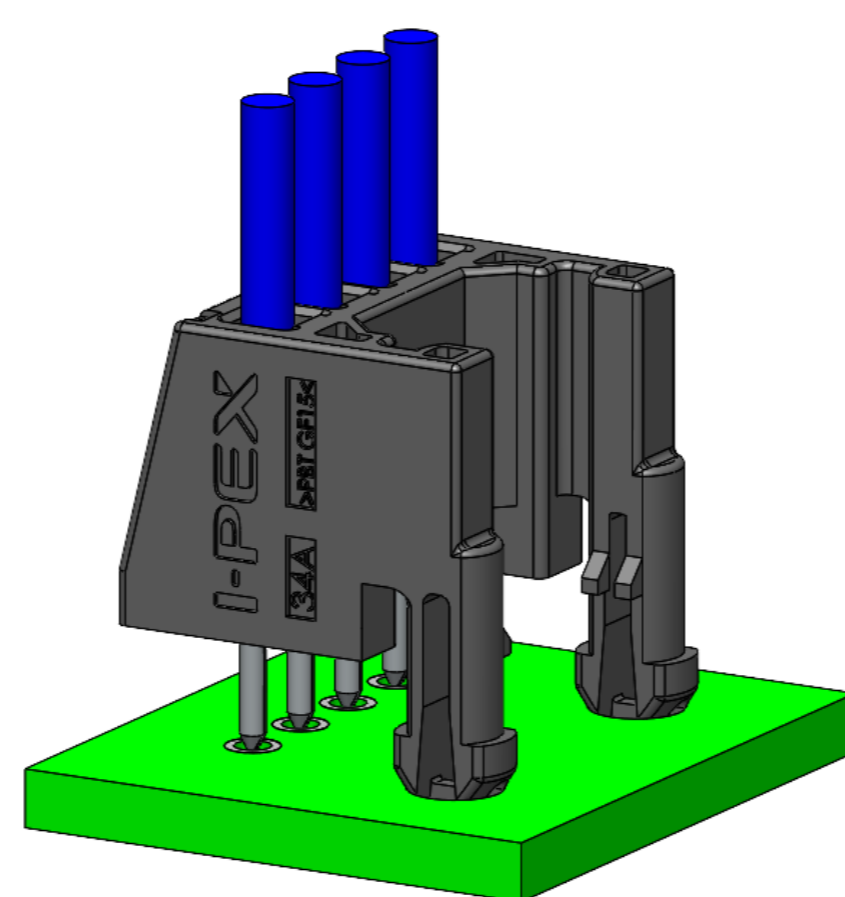


▶ 外殼上的定位凸台將端子引導至 PCB 通孔

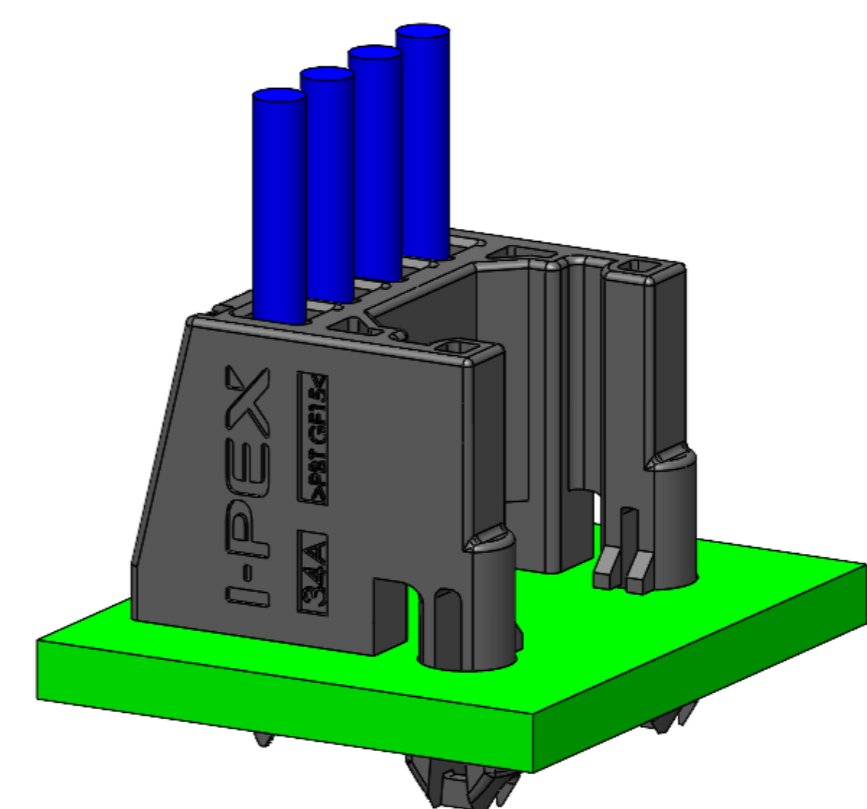
1. 安裝位置由定位凸台決定



2. 引導端子到PCN通孔

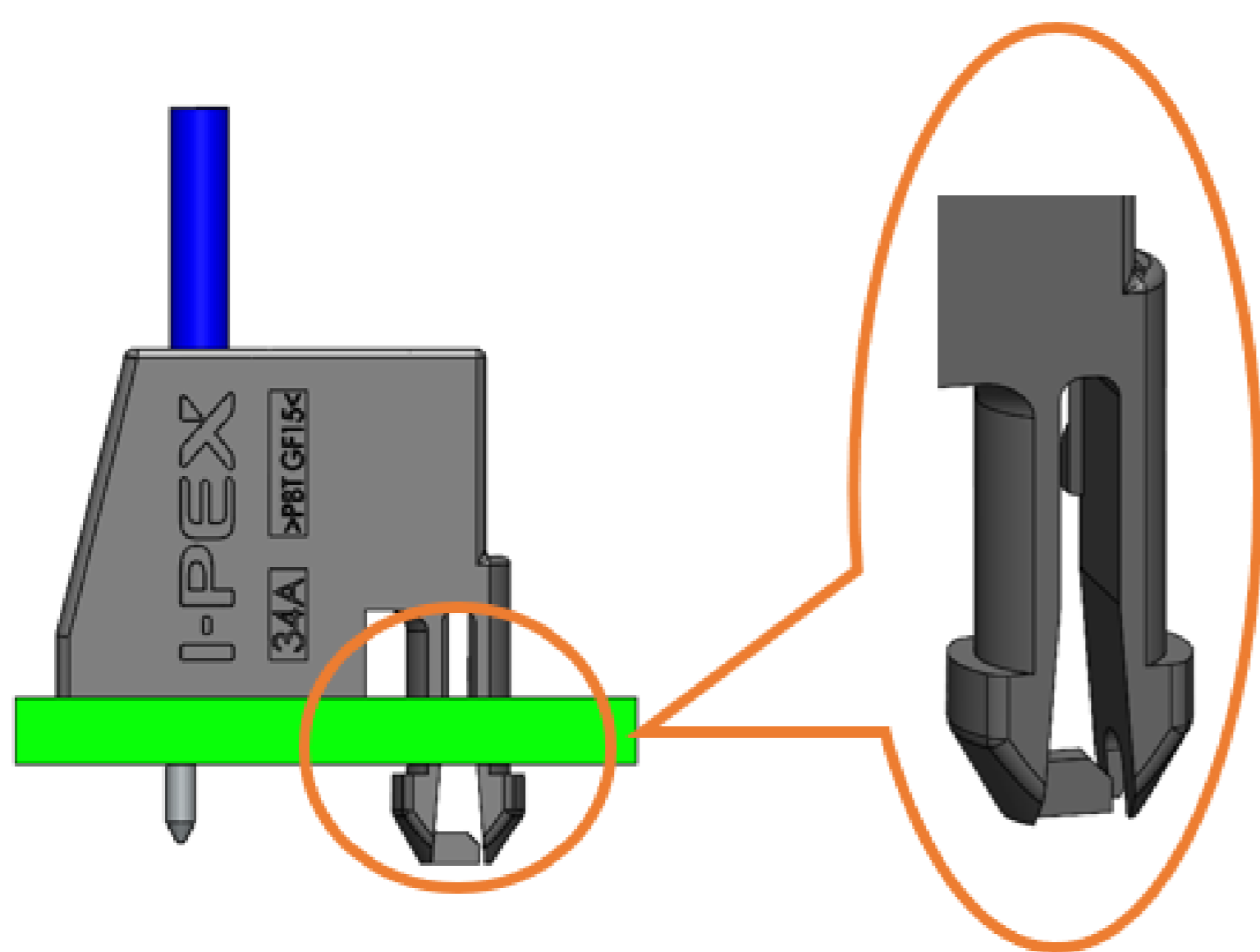


3. 將連接器插入PCB

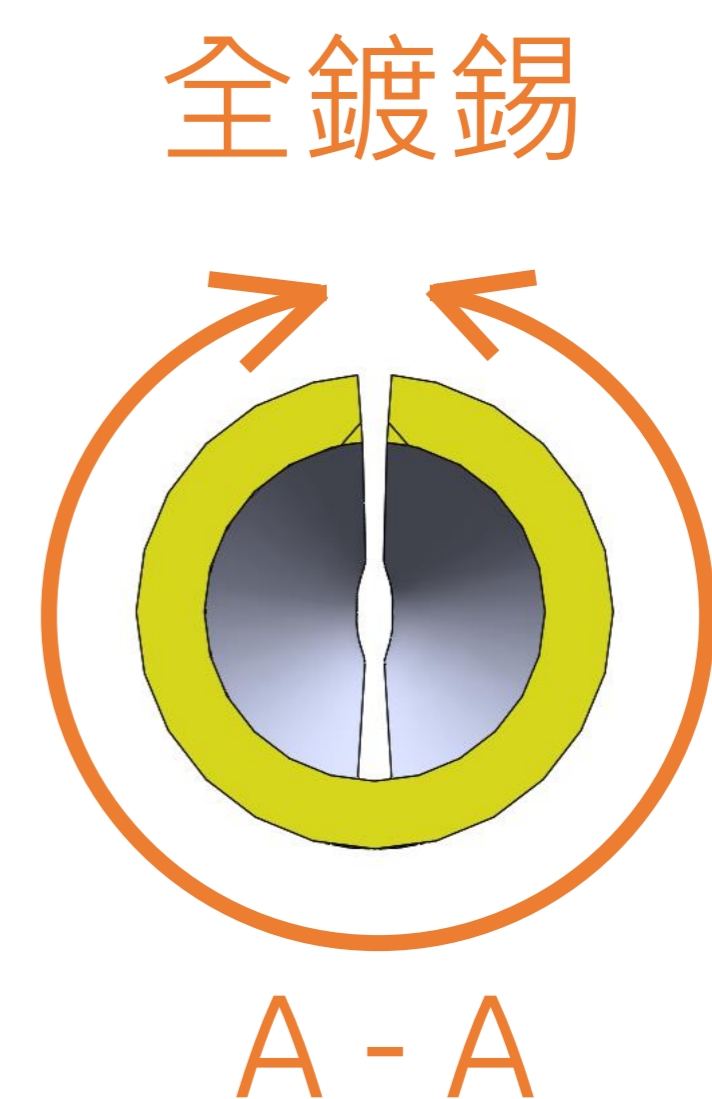
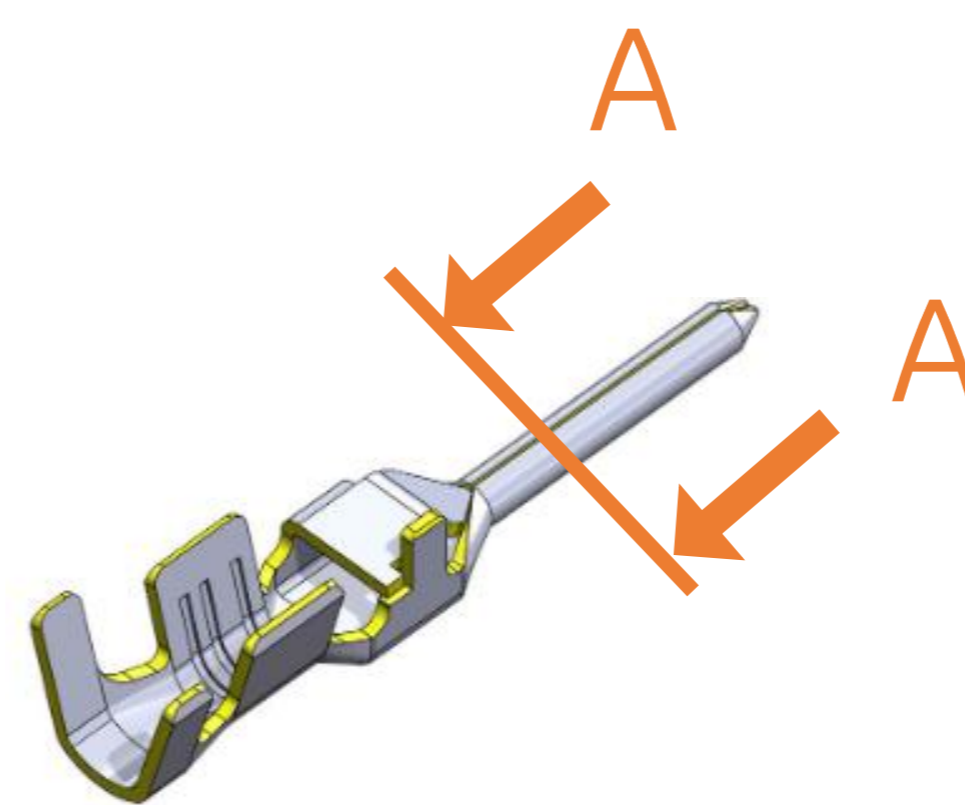


▶ 連接可靠性高

定位在外殼上的凸起結構，可提高振動性能

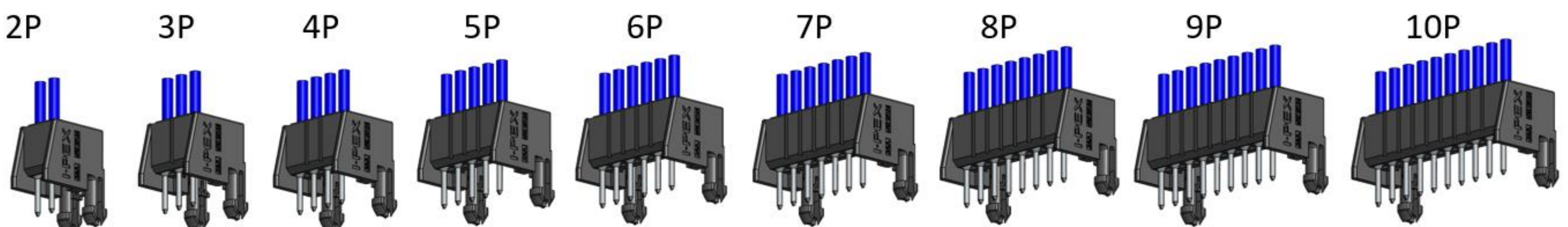


圓週上覆蓋有鍍錫，具有高度可焊性



▶ 透過水平和垂直變化的廣泛可選範圍來提高設計靈活性

垂直款

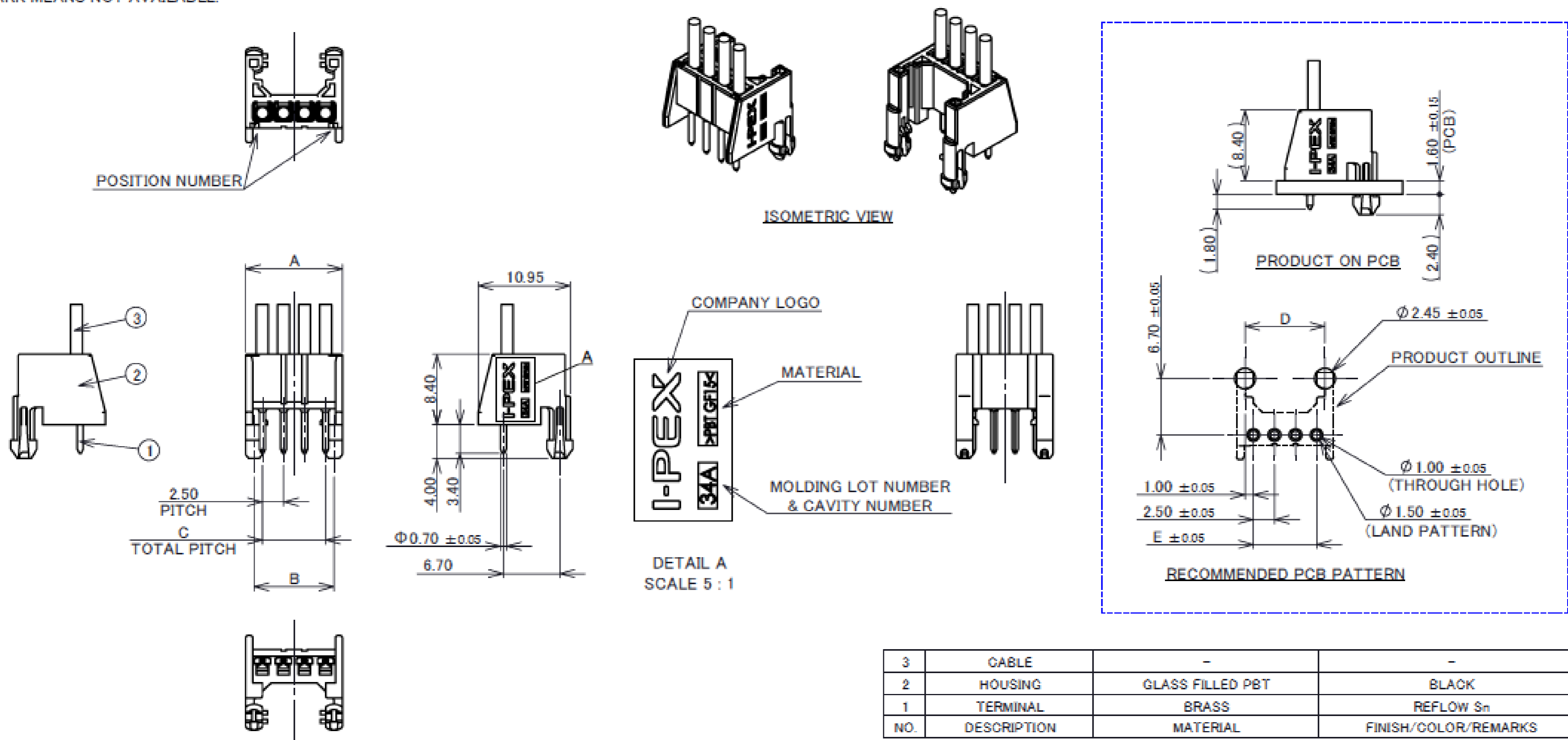


Component Parts Details

IARPB® (Vertical Type) CONNECTOR ASS'Y:

VARIATIONS	ASSY PART NO.	HOUSING PART NO.	TERMINAL PART NO.	A	B	C	D	E
2P	V0145-002A-01	V0145-91002-01	V0145-71001-01	8.5	4.5	2.5	4.5	2.5
◆3P	V0145-003A-01	V0145-91003-01		9.0	7.0	5.0	7.0	5.0
4P	V0145-004A-01	V0145-91004-01		11.5	9.5	7.5	9.5	7.5
◆5P	V0145-005A-01	V0145-91005-01		14.0	12.0	10.0	12.0	10.0
◆8P	V0145-008A-01	V0145-91008-01		18.5	14.5	12.5	14.5	12.5
7P	V0145-007A-01	V0145-91007-01		19.0	17.0	15.0	17.0	15.0
◆8P	V0145-008A-01	V0145-91008-01		21.5	19.5	17.5	19.5	17.5
◆9P	V0145-009A-01	V0145-91009-01		24.0	22.0	20.0	22.0	20.0
◆10P	V0145-010A-01	V0145-91010-01		28.5	24.5	22.5	24.5	22.5

◆MARK MEANS NOT AVAILABLE.



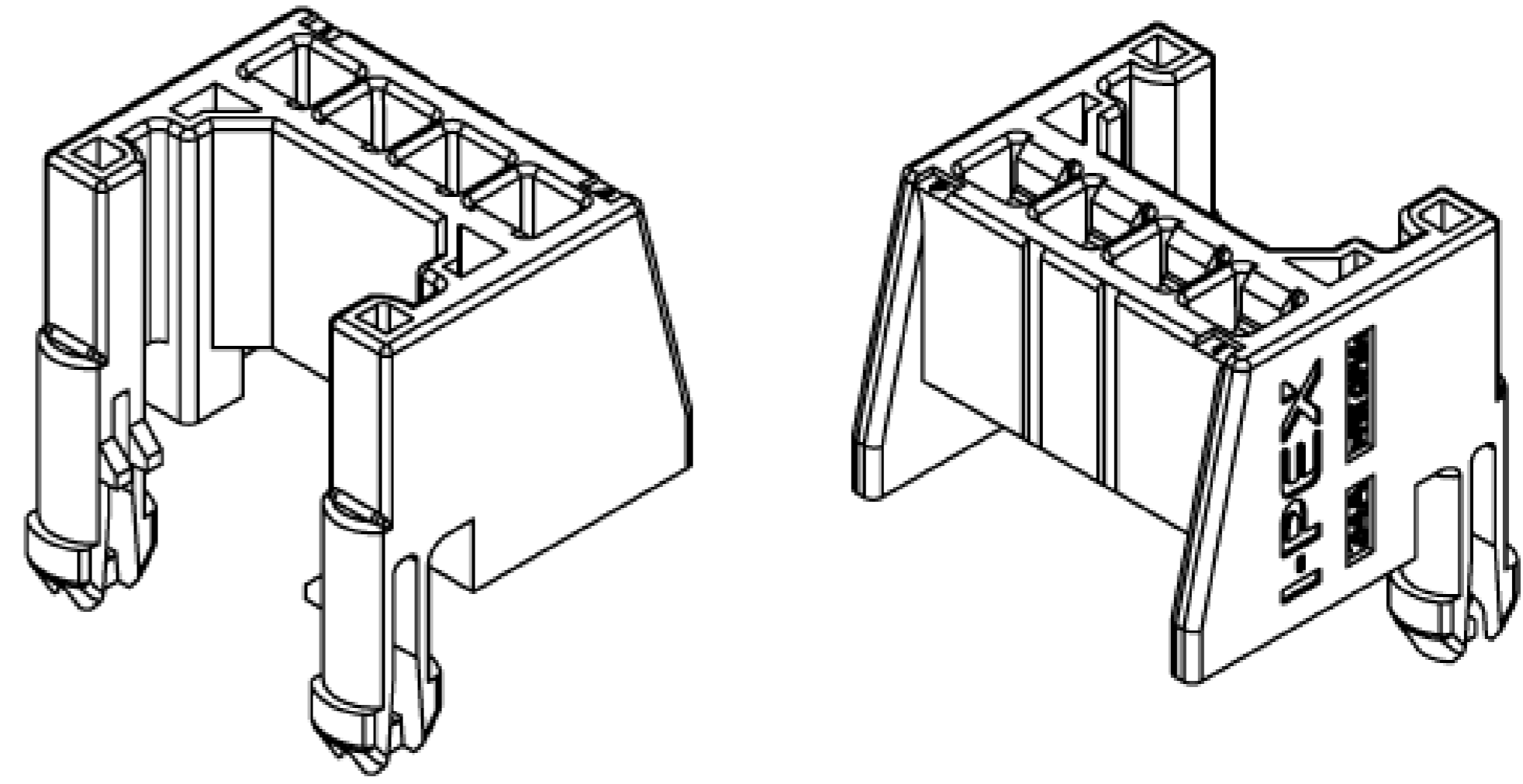
NOTE
 1. CABLE SIZE: 0.3 mm² (FINISHED Φ 1.67 mm MAX.)
 2. COMPLY WITH ELV/RoHS
 3. PRODUCT SPECIFICATION NO.: PSS-0041
 4. HANDLING MANUAL NO.: HDM-0035

Rev.0

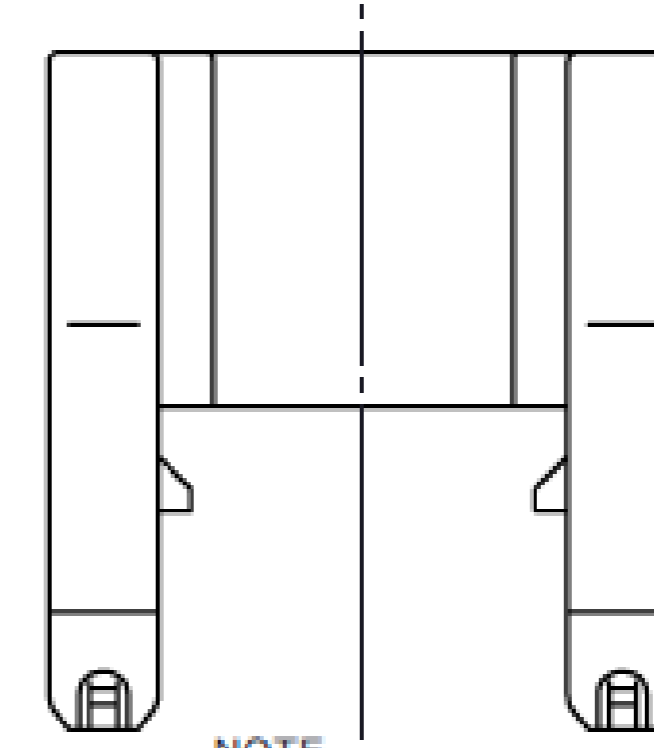
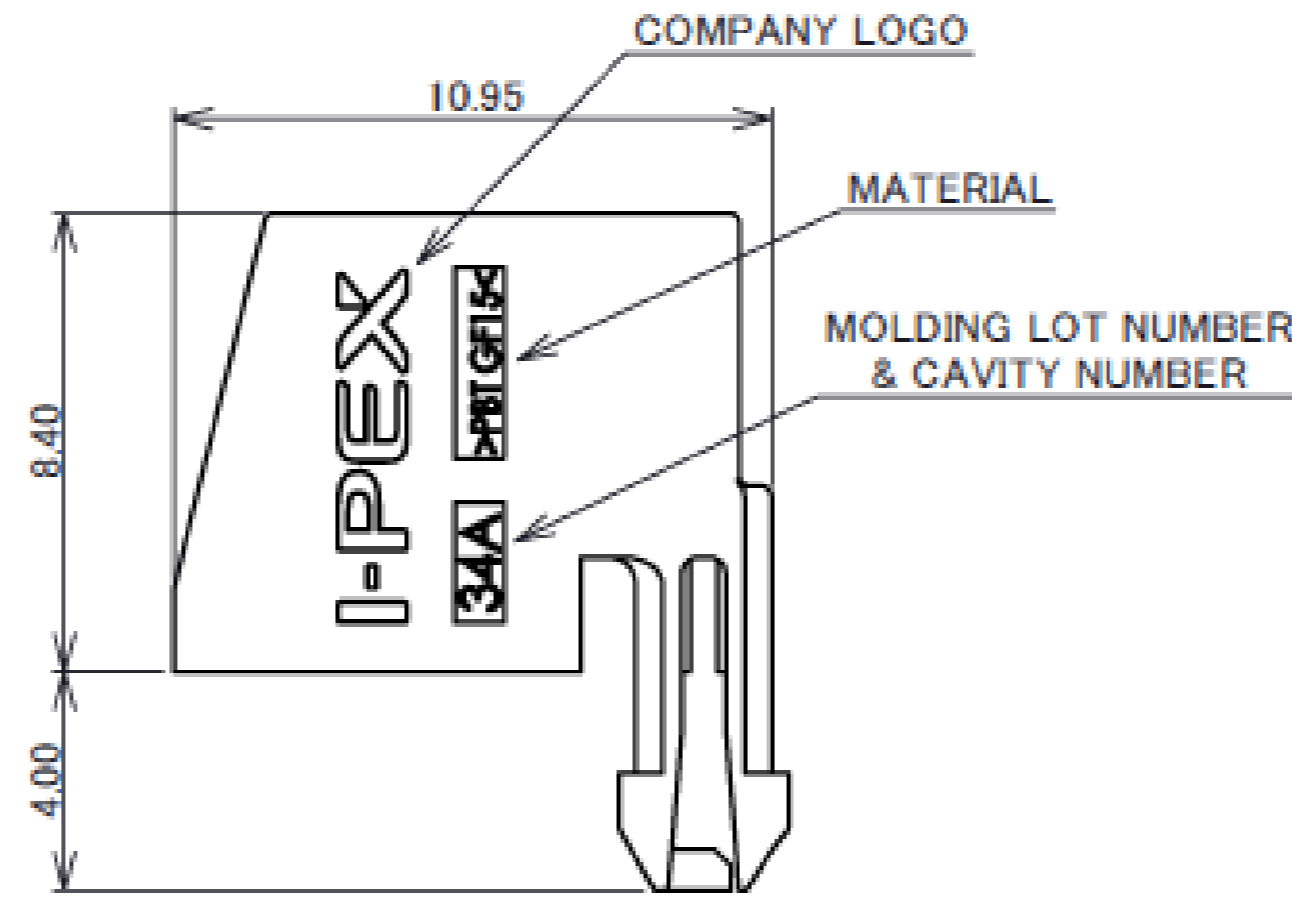
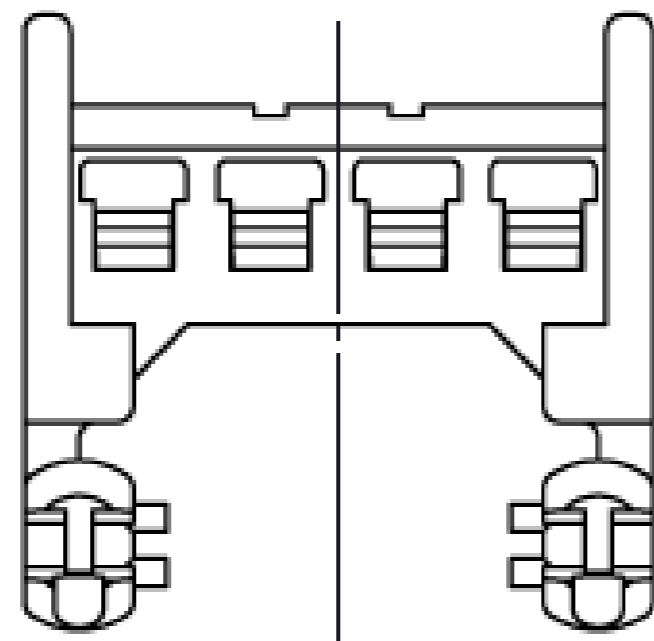
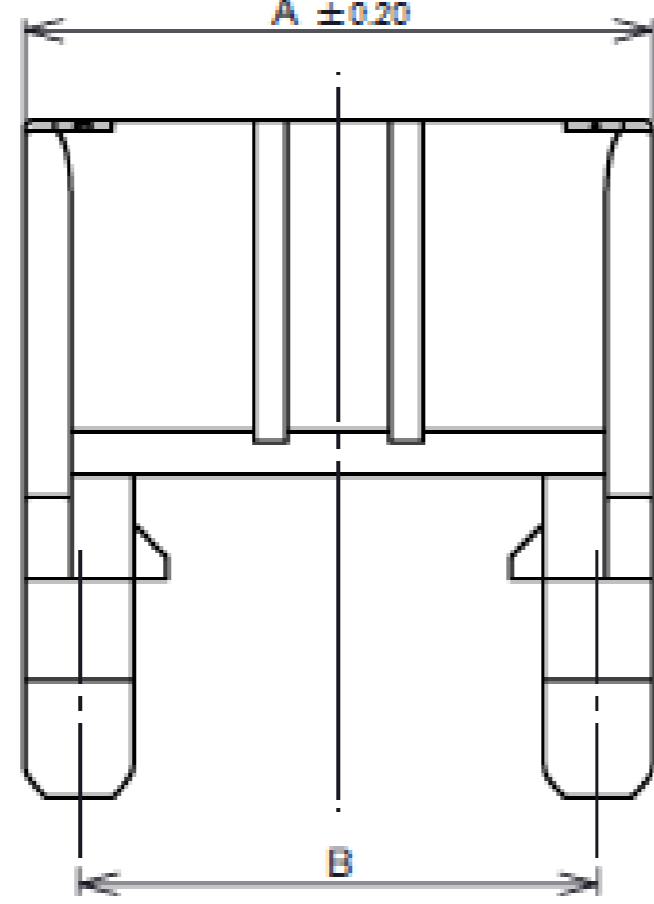
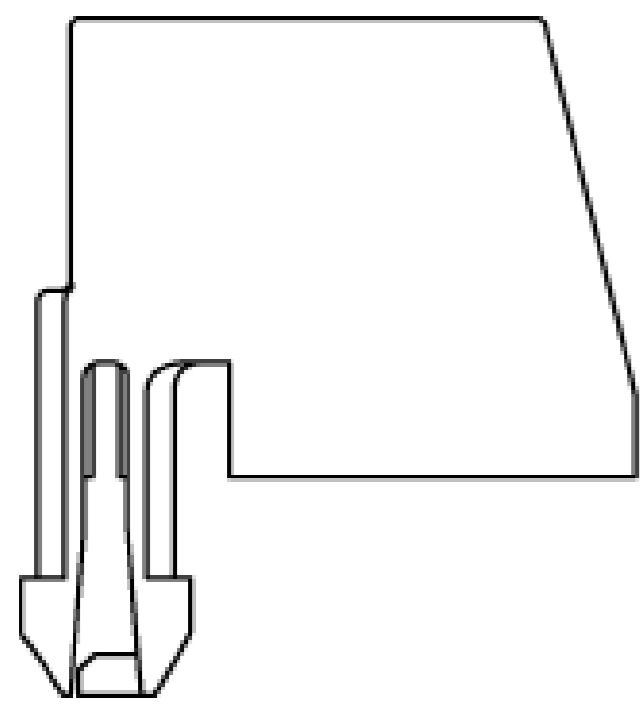
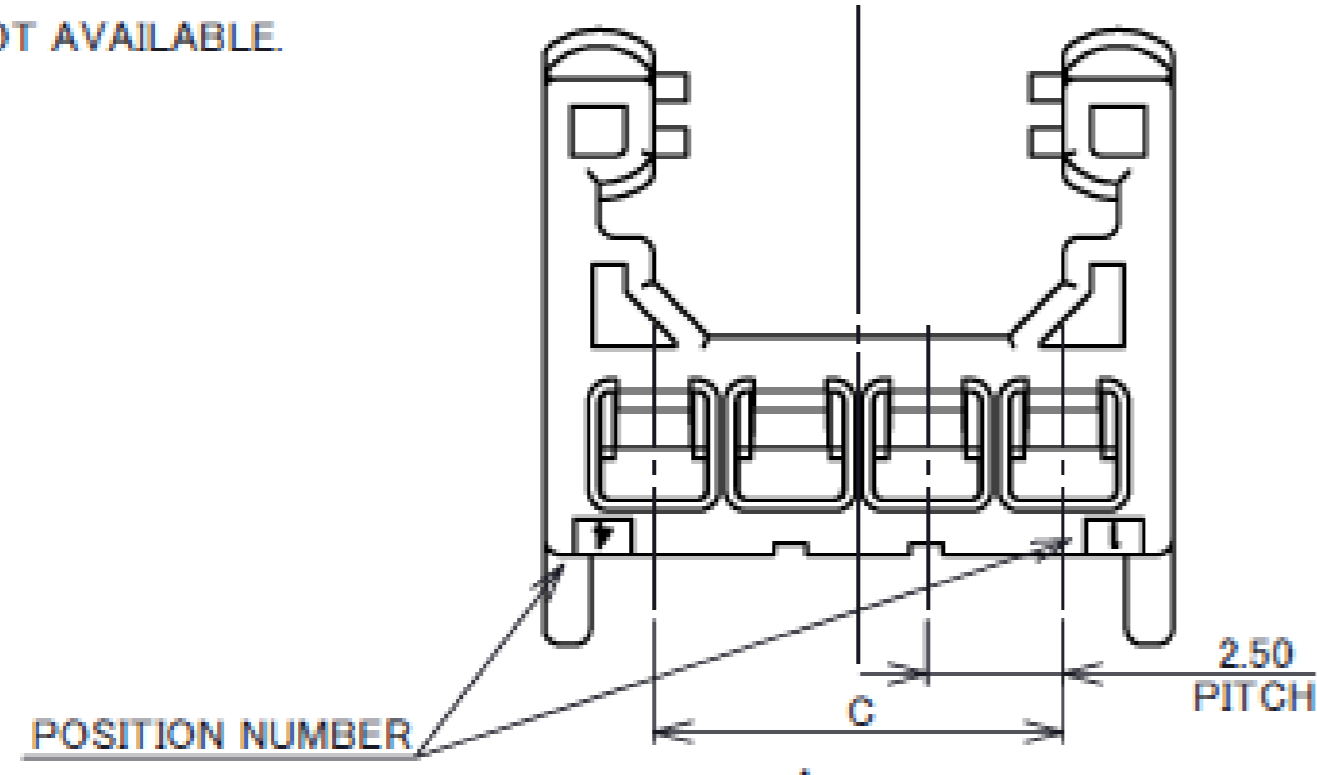
IARPB® (Vertical Type) CONNECTOR HOUSING :

VARIATIONS	PART NO.	A	B	C
2P	V0145-91002-01	8.5	4.5	2.5
◆3P	V0145-91003-01	9.0	7.0	5.0
4P	V0145-91004-01	11.5	9.5	7.5
◆5P	V0145-91005-01	14.0	12.0	10.0
◆6P	V0145-91008-01	18.5	14.5	12.5
7P	V0145-91007-01	19.0	17.0	15.0
◆8P	V0145-91008-01	21.5	19.5	17.5
◆9P	V0145-91009-01	24.0	22.0	20.0
◆10P	V0145-91010-01	28.5	24.5	22.5

◆MARK MEANS NOT AVAILABLE.



ISOMETRIC VIEW



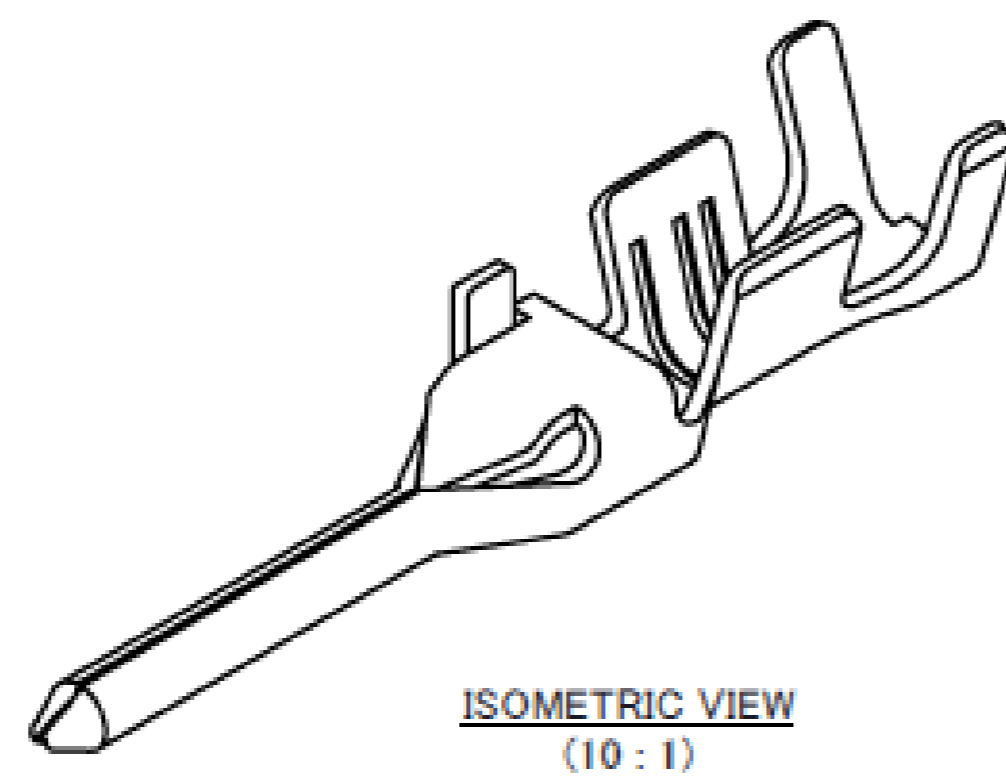
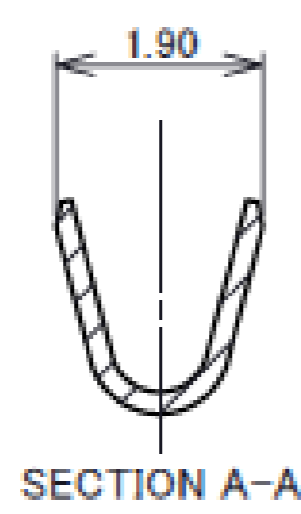
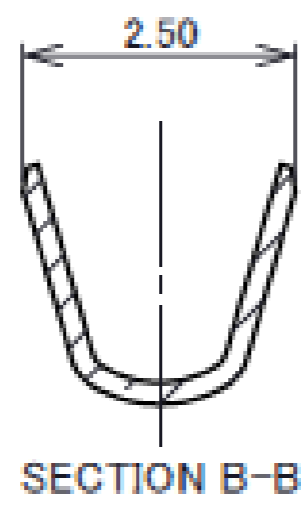
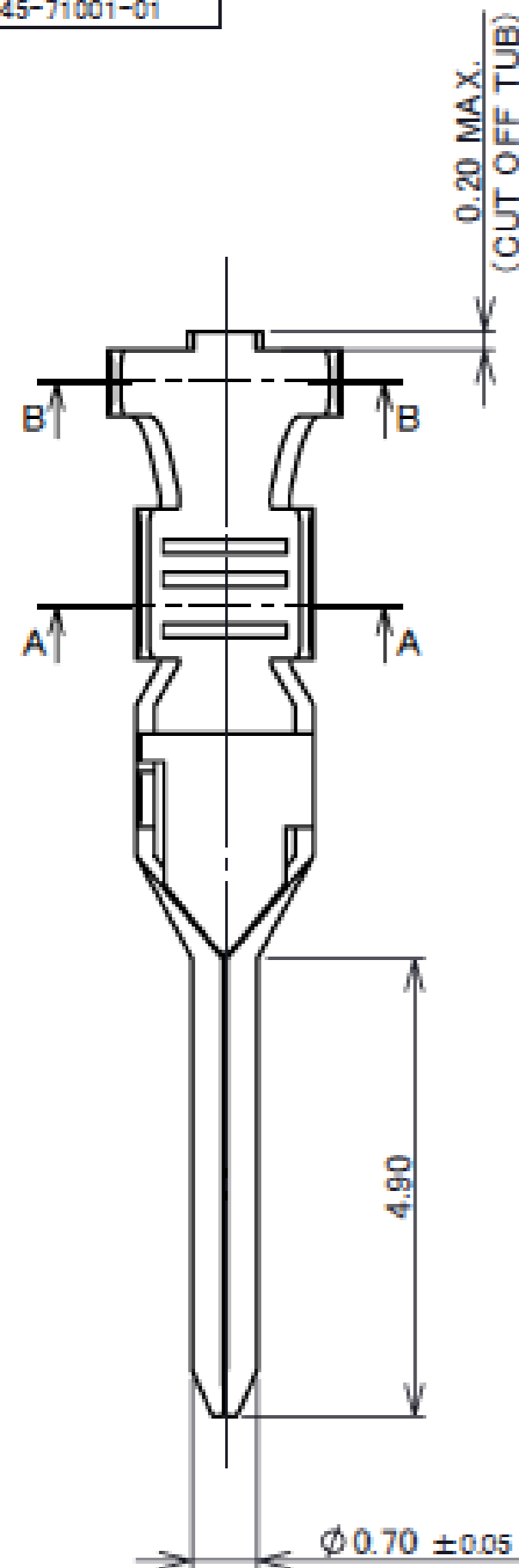
- NOTE
1. TERMINAL P/N: V0145-71001-01
 2. COMPLY WITH ELV/RoHS
 3. PRODUCT SPECIFICATION NO.: PSS-0041
 4. HANDLING MANUAL NO.: HDM-0035

NO.	DESCRIPTION	MATERIAL	FINISH/COLOR/REMARKS
1	HOUSING	GLASS FILLED PBT	BLACK

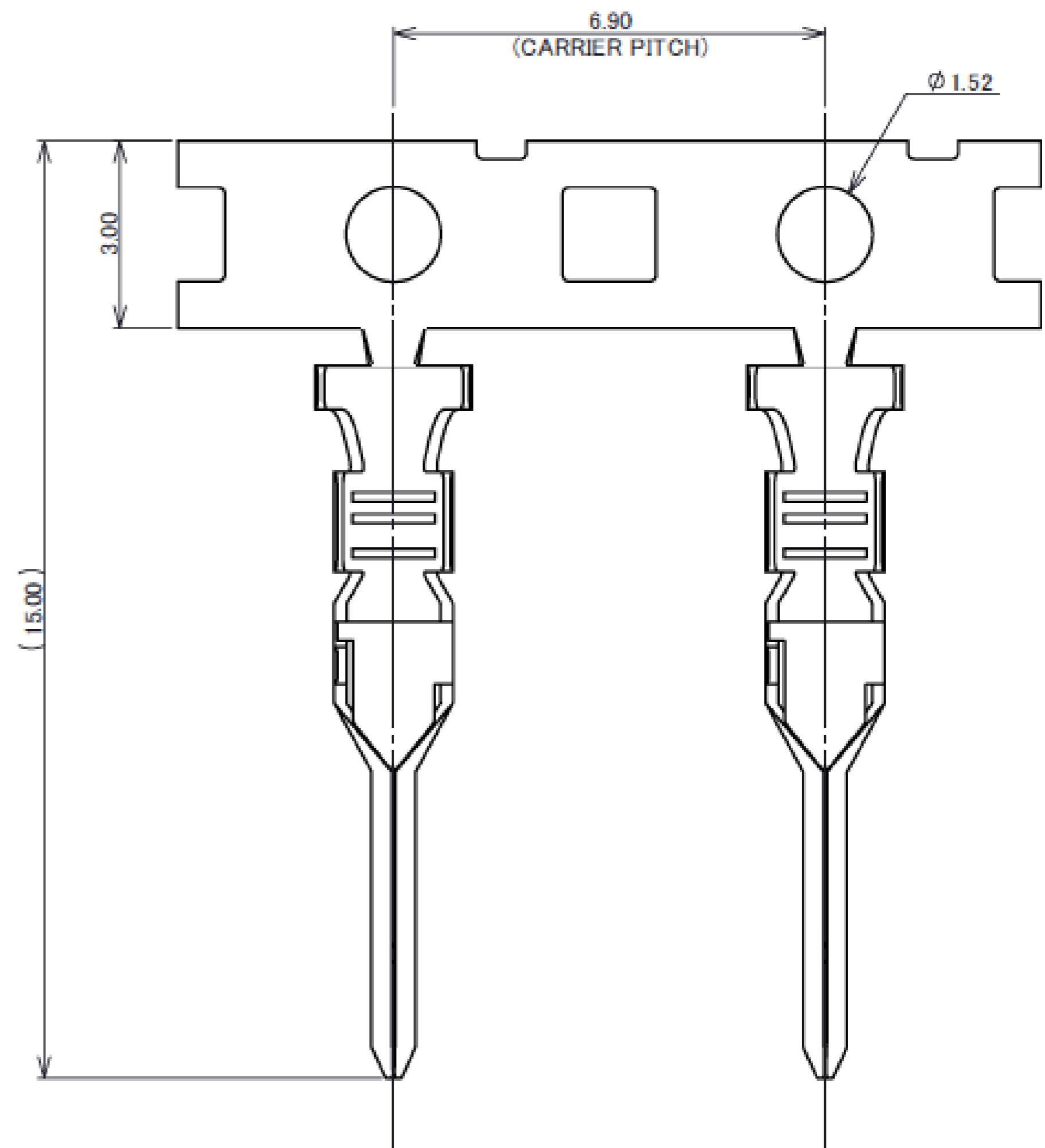
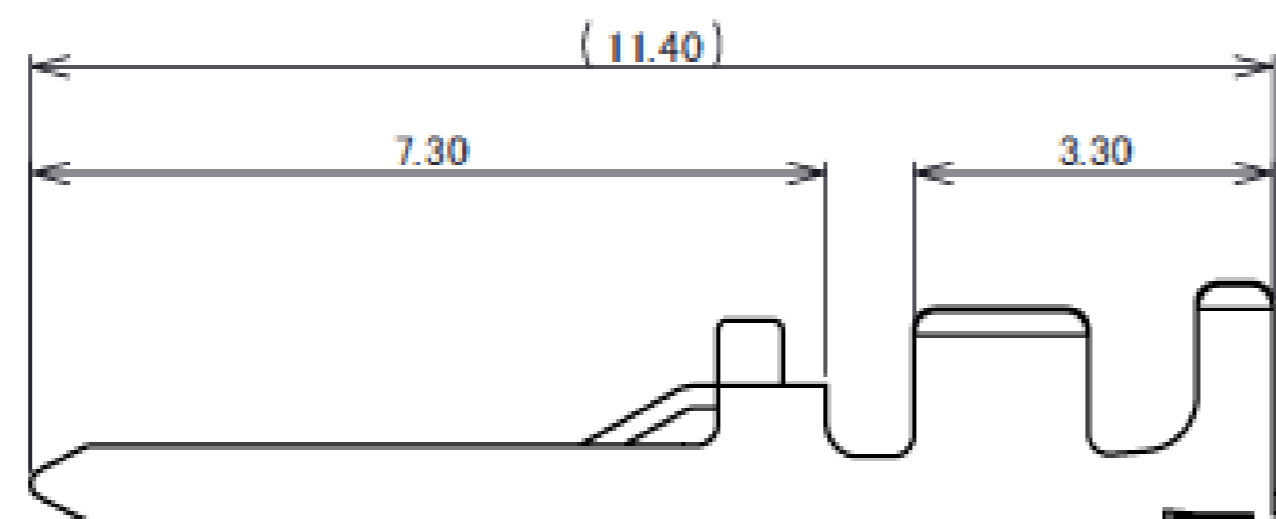
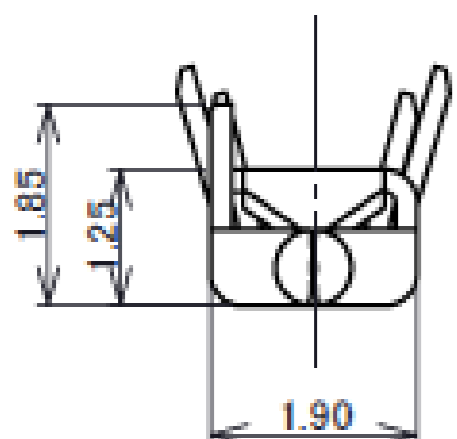
Rev.0

IARPB® (Vertical Type) CONNECTOR TERMINAL :

PART NO.
V0145-71001-01



ISOMETRIC VIEW (10:1)



CARRIER

NO.	DESCRIPTION	MATERIAL	FINISH/COLOR/REMARKS
1	TERMINAL	BRASS	REFLOW Sn

- NOTE
1. HOUSING P/N: V0145-9100N-01
 2. CABLE SIZE: 0.3 mm² (FINISHED Φ 1.67 mm MAX.)
 3. COMPLY WITH ELV/RoHS
 4. PRODUCT SPECIFICATION NO.: PSS-0041
 5. HANDLING MANUAL NO.: HDM-0035

Rev.0

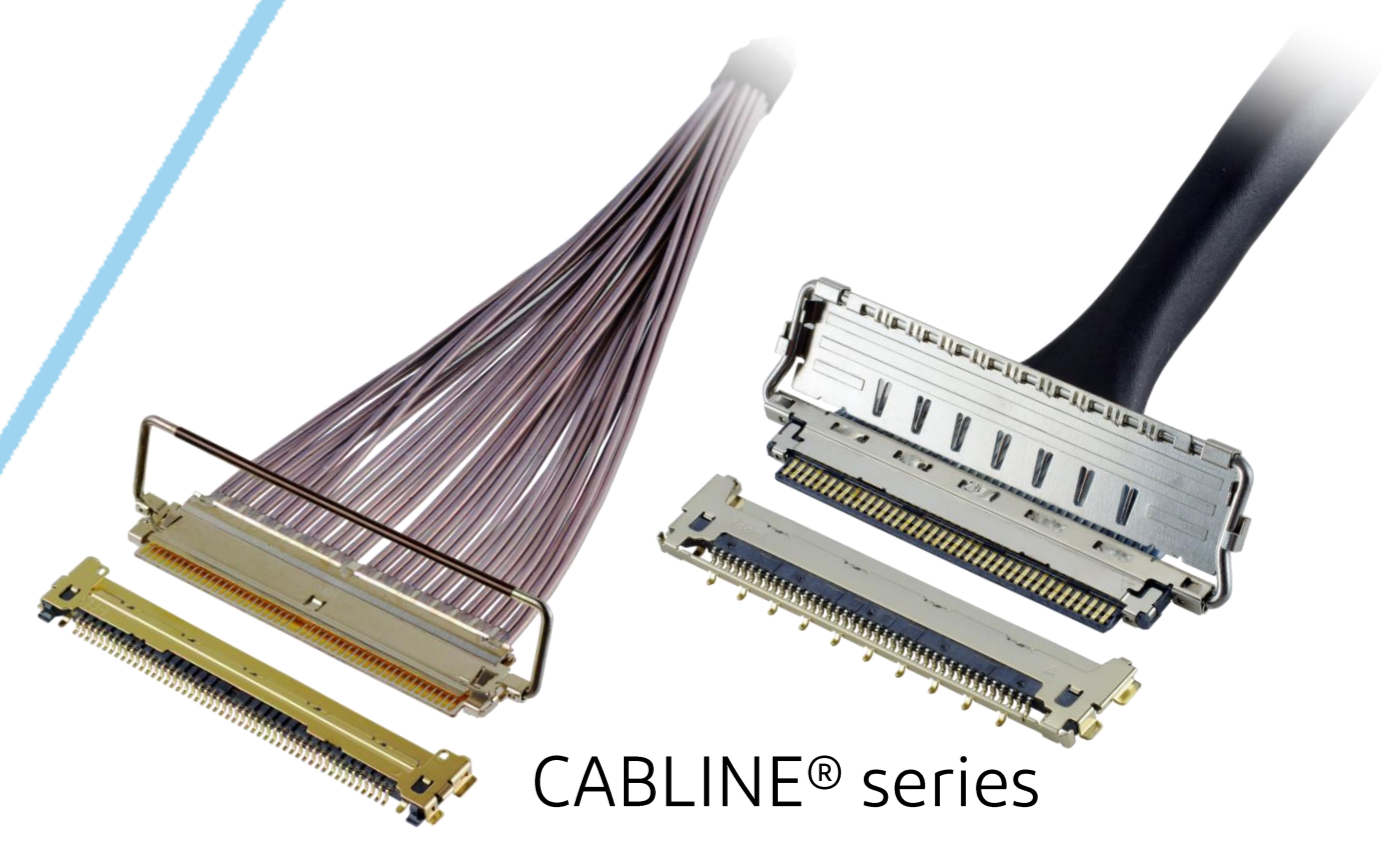
Custom Connectors Available

RF Connector

MHF® series



Micro-coaxial/Twinax/ Discrete Wire Connector



CABLINE® series

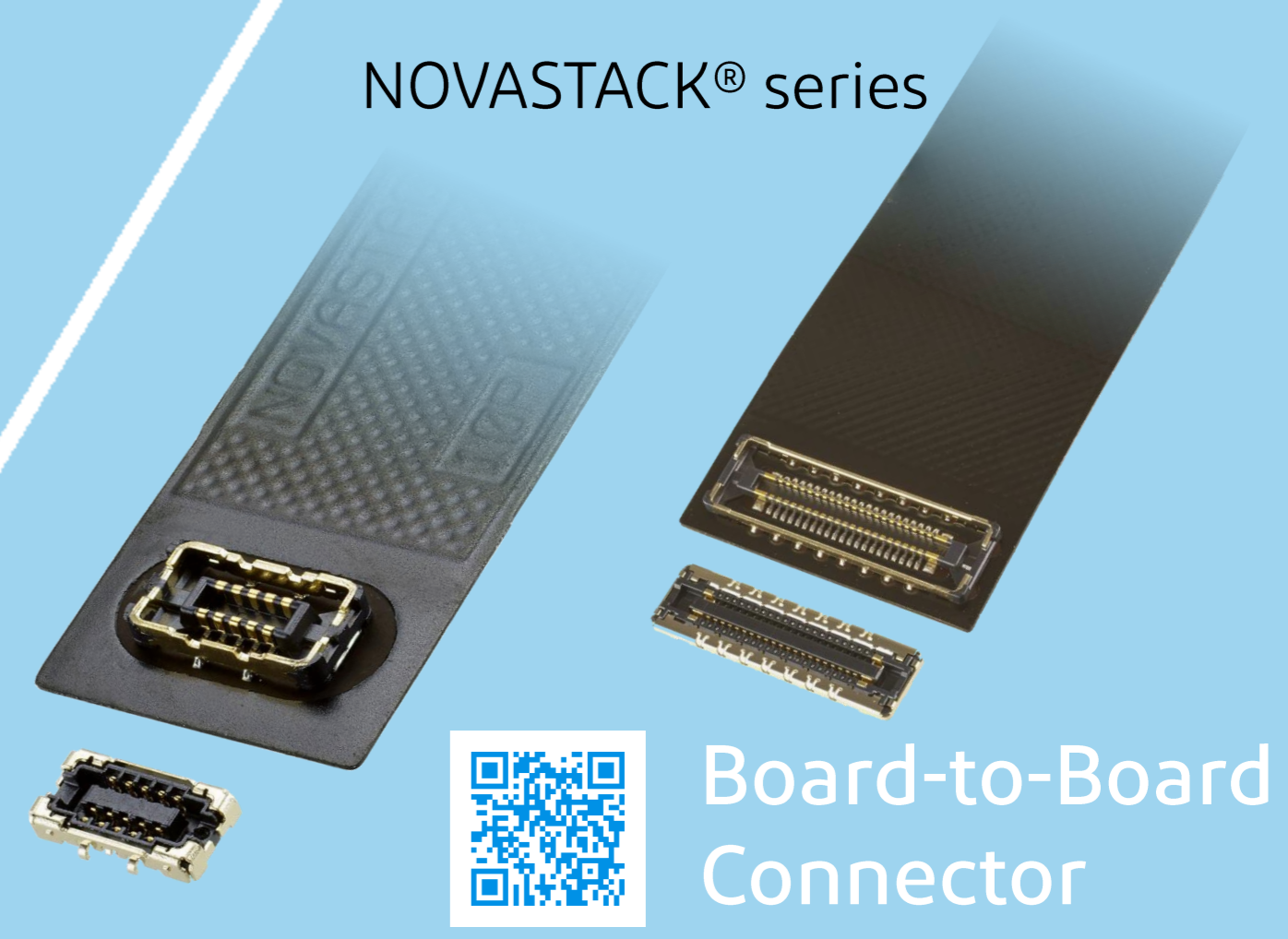


Optical Module

LIGHTPASS® series



NOVASTACK® series



Board-to-Board Connector



Power Connector/ Terminal

AP series

ISH® series



MINIFLEX® series

EVAFLEX® series



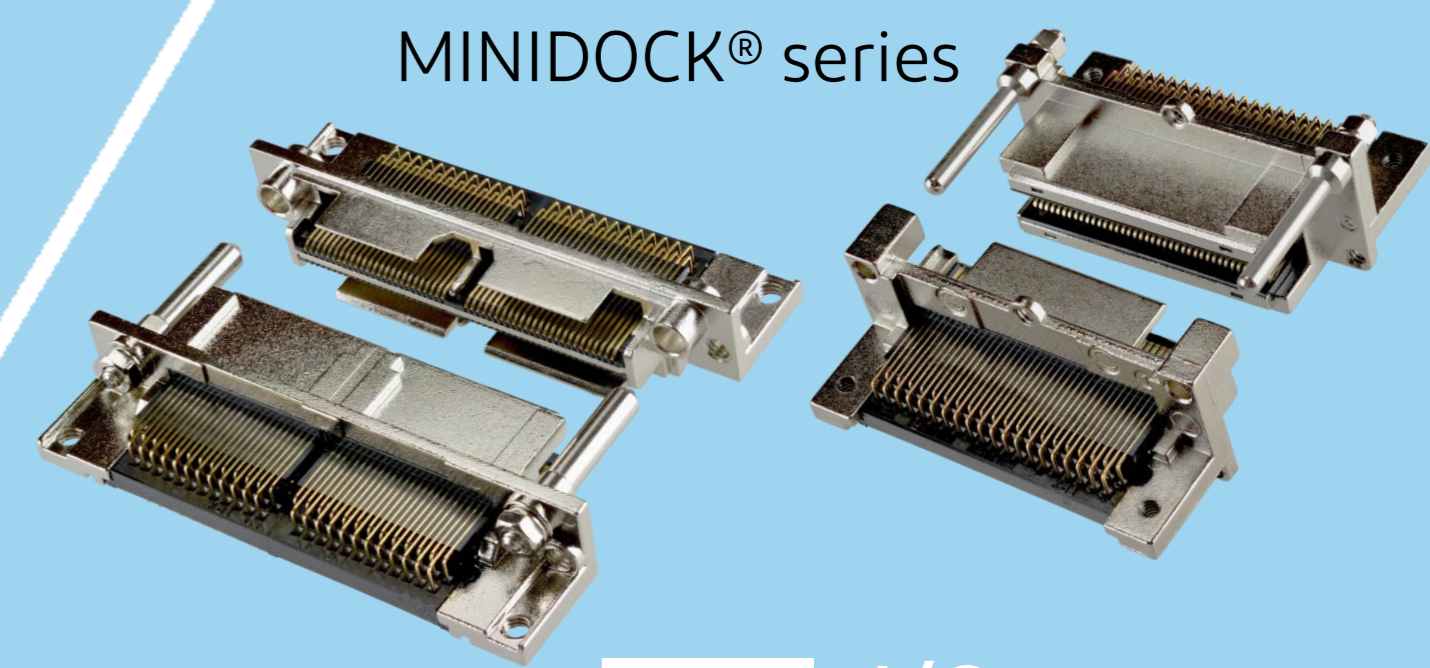
FPC FFC Connector



Inquiry



MINIDOCK® series



I/O Connector

I-PEX, MHF, CABLINE, LIGHTPASS, NOVASTACK, ISH, IARPB, MINIFLEX, EVAFLEX, MINIDOCKS and ZenShield are registered trademarks of I-PEX Inc. Please note that the contents in the catalog might be changed without prior notification. I-PEX Inc. assumes no responsibility for any inaccuracies or obligation to update information on these documents. Please be sure to read and understand the latest "Precautions for Use" and "Instruction Manual" before you use our products. We shall not be responsible for any defects, damages or troubles in case you use our products without following the precautions for use. Please feel free to contact our sales representatives when you use our products for any applications that require very high reliability and safety, or that relate to human life (ex. nuclear power control, aerospace, transportation, medical equipment, safety equipment etc.).

Contact your sales representative or more detailed information.

www.i-pex.com



I-PEX

© I-PEX Inc. 2024
All rights reserved