

# IARPB<sup>®</sup> (Vertical Type)

抗振、一体式、线对板连接器

## Product Specifications:

Pitch (mm max.)	2.5	
Contact Size (mm)	φ0.7	
Mated Height (mm max.)	8.4	
Width formula (mm)	Single row: 1.5+2.5*?pin	
Operating Temperature	-40 - 125°C	
Vibration Resistance	6G	
Current Rating	3A per pin	
Voltage Rating	250V	
Withstand Voltage	AC 1000V/minute	
Plating	Sn	
Housing	PBT GF15	
Pin counts	Range	Up to 10
	Available	2, 4, 7

## Applicable Cable Size:

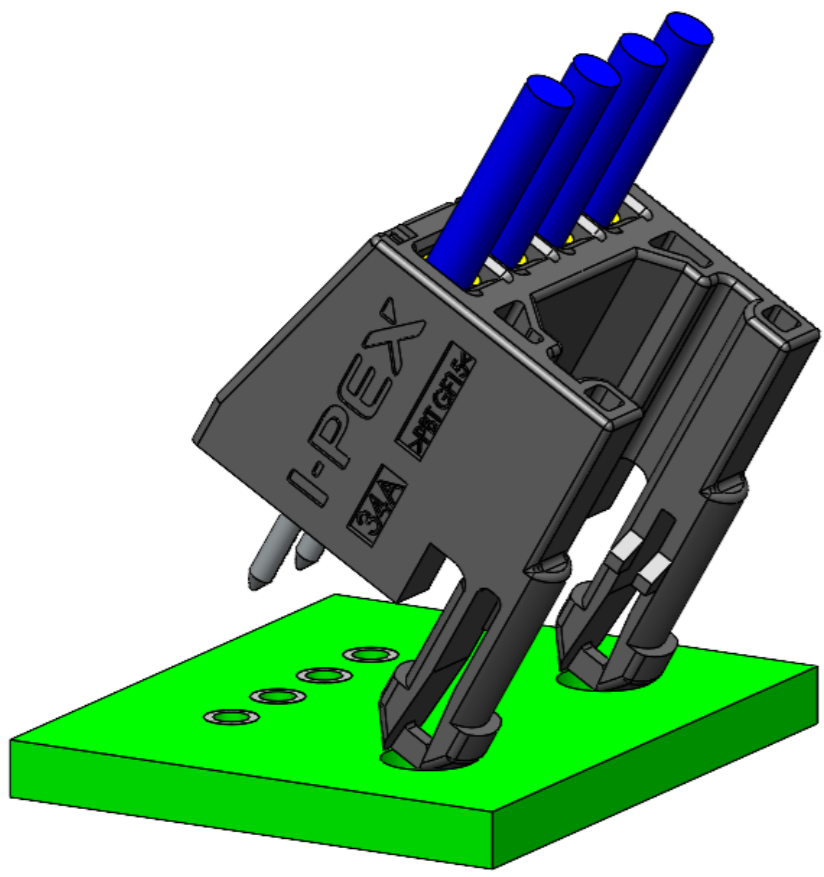
AWG#22 \*Insulation Diameter 1.67 mm max.

\*如您需要了解未列出或不在范围内的Pin数，请咨询我们。

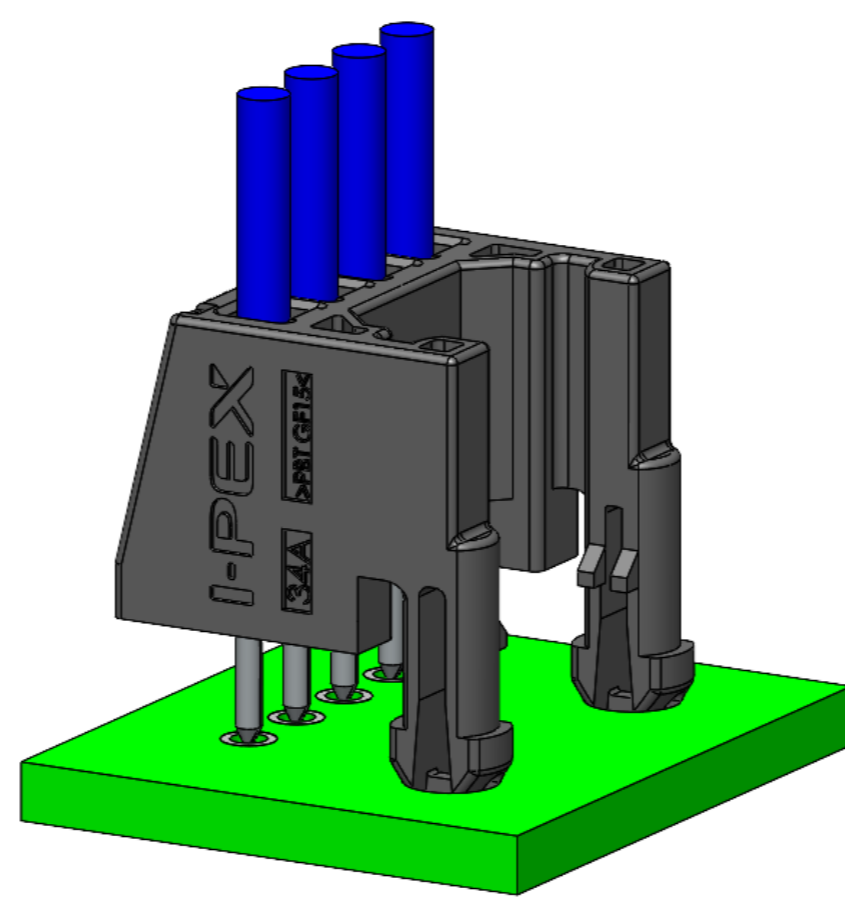


## 弹性定位柱进行初定位，再降端子和定位柱同时压入PCB板定位孔中

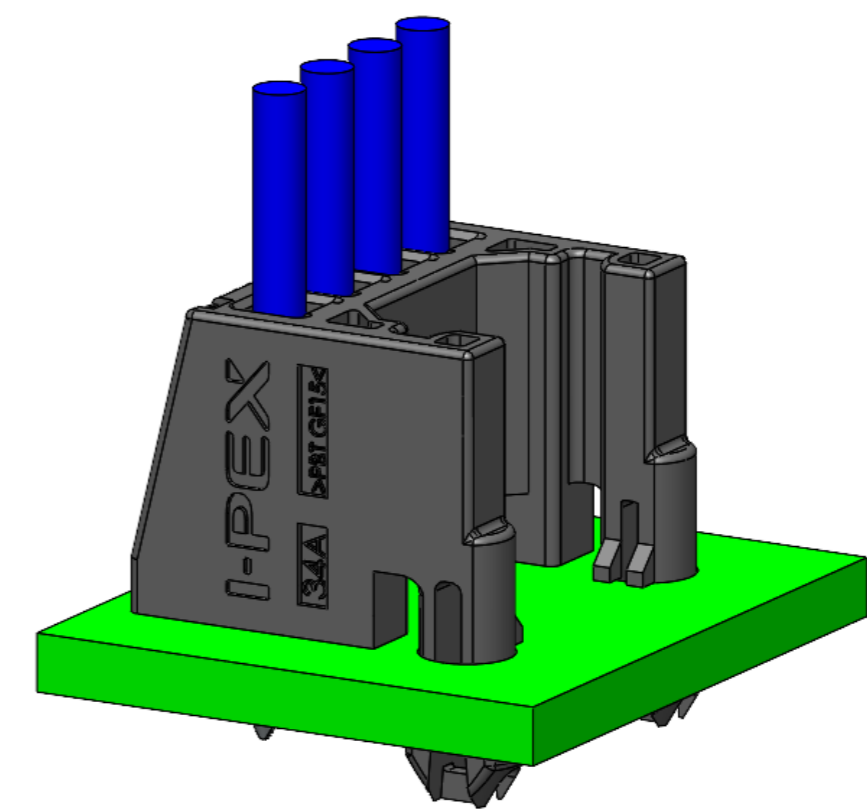
1. 倾斜着将弹性定位柱置于孔中，进行初定位



2. 再降塑胶垂直，端子正好位于PCB通孔中



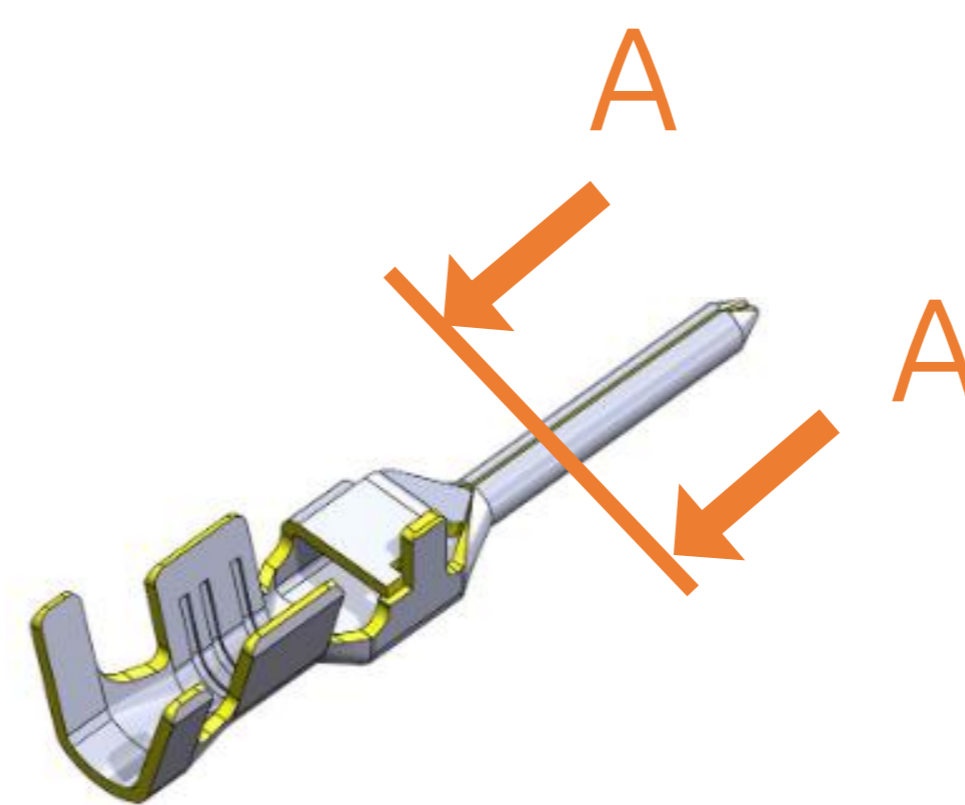
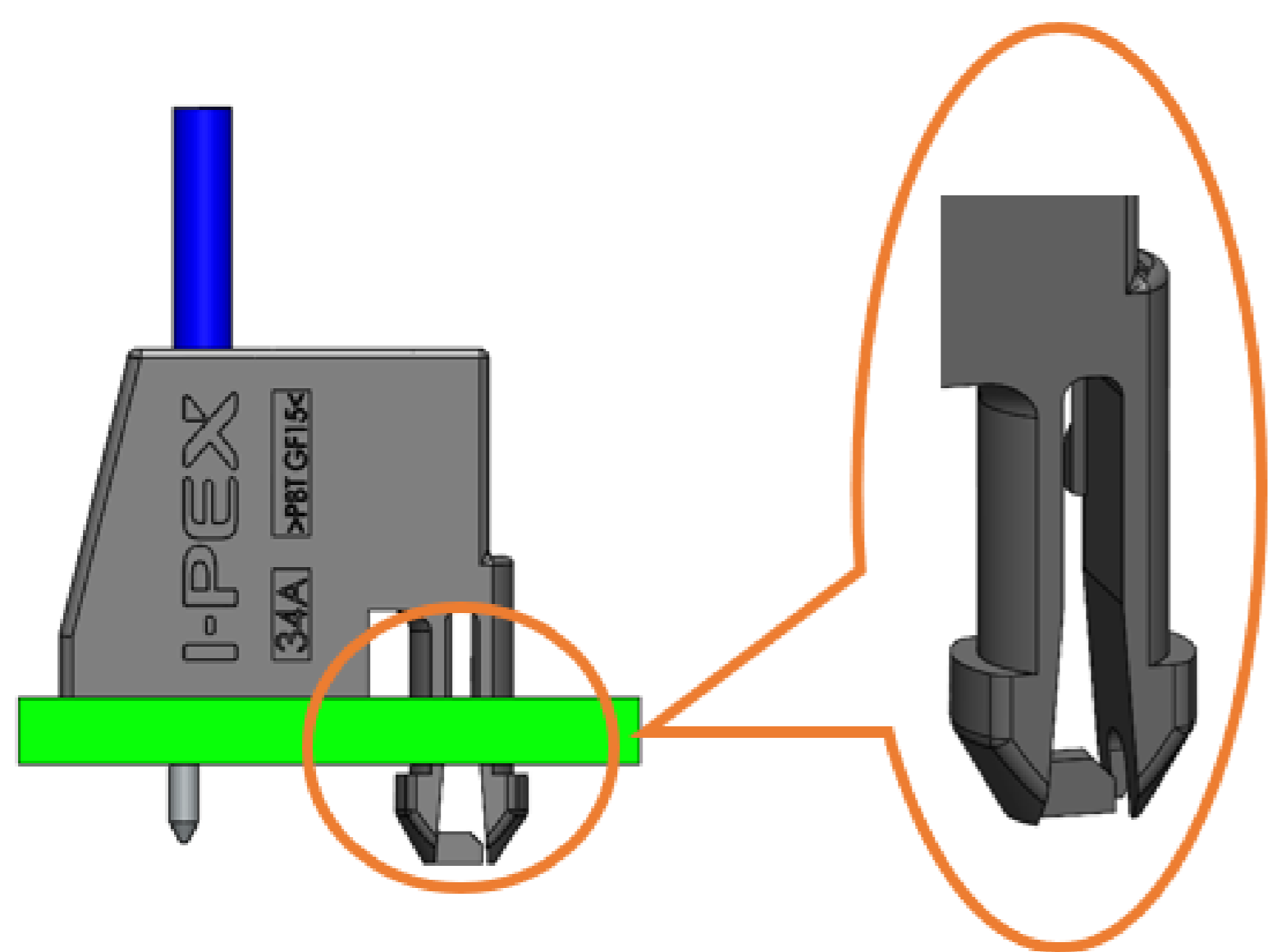
3. 向下施力，完全压入



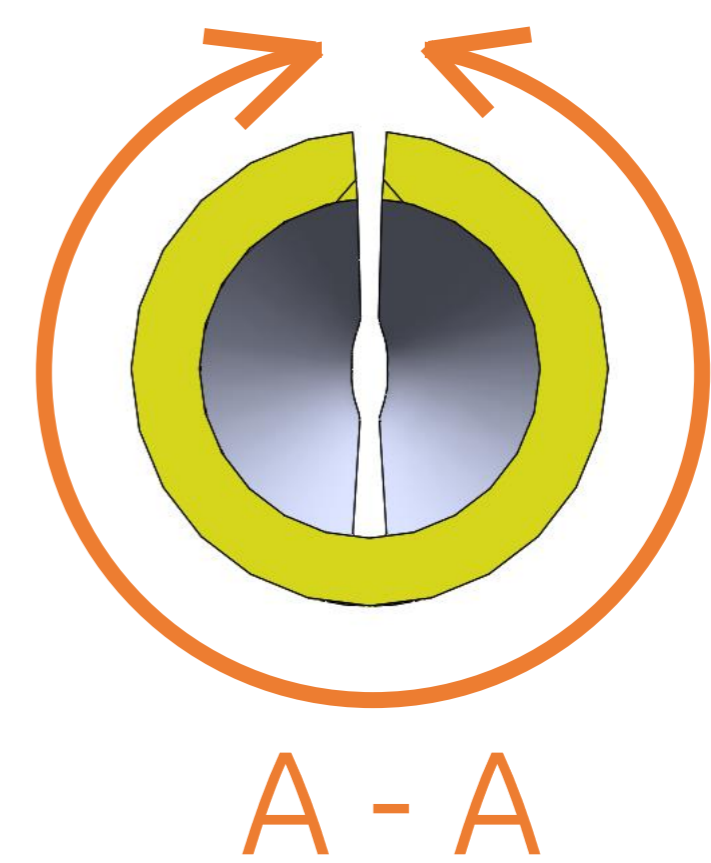
## 连接可靠性高

塑胶壳体自带弹性定位柱，可提高振动性能

端子表面全部镀锡，具有高度可焊性

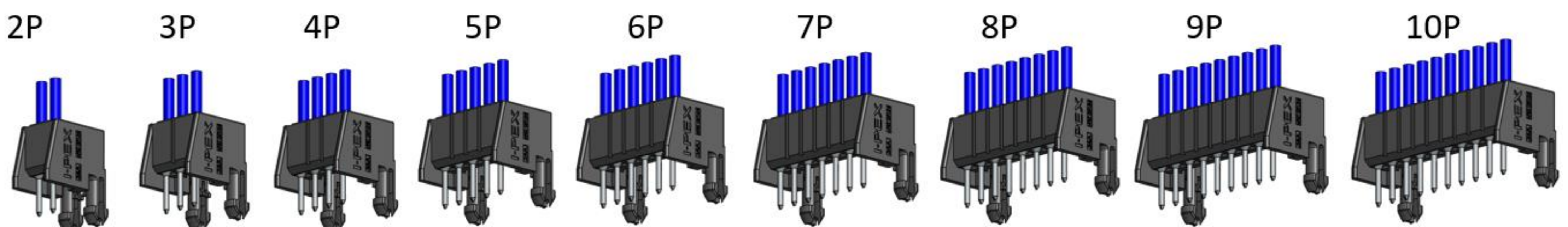


Fully Sn Plating



## 产品同时具有水平出线方式和垂直出线方式，客户可以根据需要选择，方便设计和作业

垂直款

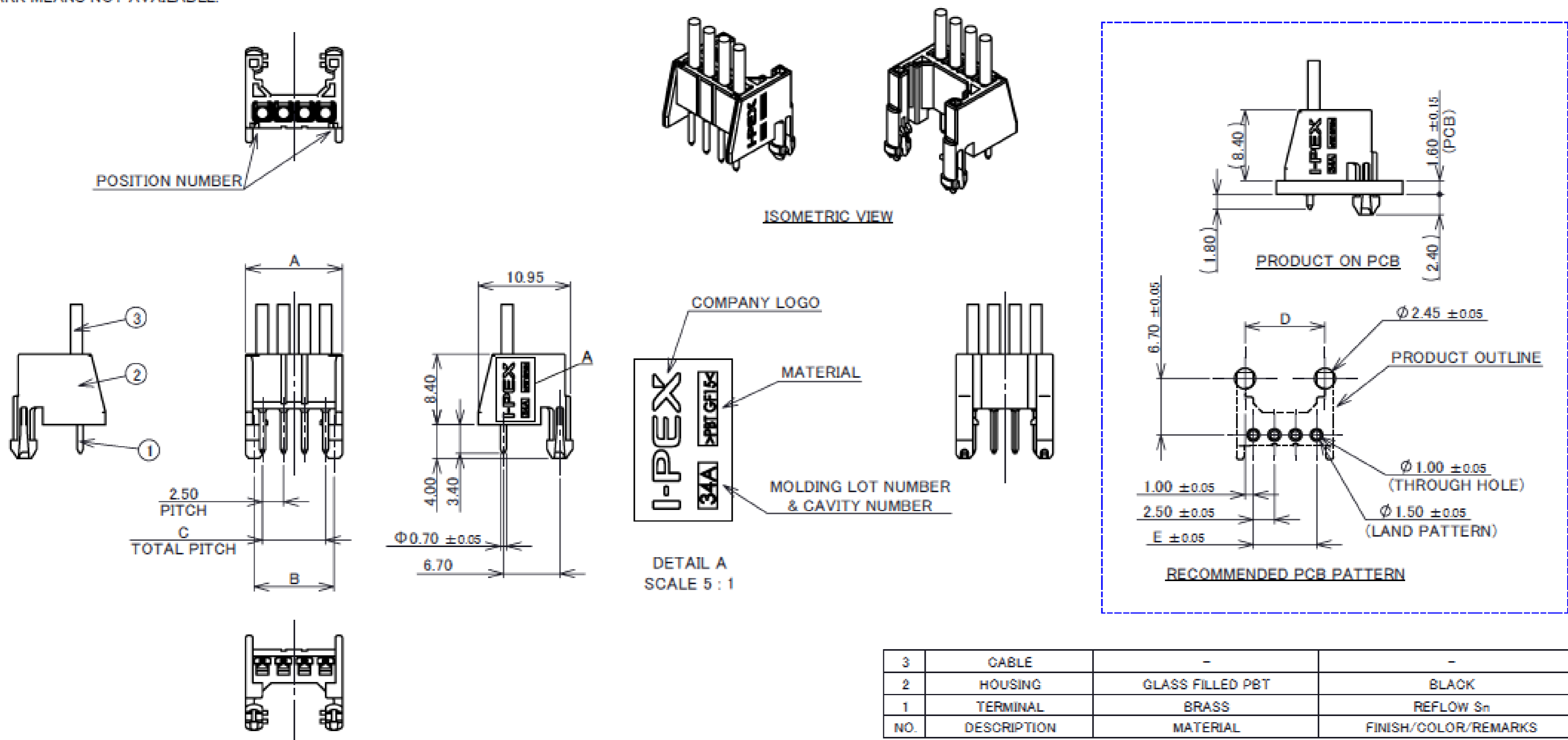


# Component Parts Details

## IARPB® (Vertical Type) CONNECTOR ASS'Y:

VARIATIONS	ASSY PART NO.	HOUSING PART NO.	TERMINAL PART NO.	A	B	C	D	E
2P	V0145-002A-01	V0145-91002-01	V0145-71001-01	8.5	4.5	2.5	4.5	2.5
◆3P	V0145-003A-01	V0145-91003-01		9.0	7.0	5.0	7.0	5.0
4P	V0145-004A-01	V0145-91004-01		11.5	9.5	7.5	9.5	7.5
◆5P	V0145-005A-01	V0145-91005-01		14.0	12.0	10.0	12.0	10.0
◆8P	V0145-008A-01	V0145-91008-01		18.5	14.5	12.5	14.5	12.5
7P	V0145-007A-01	V0145-91007-01		19.0	17.0	15.0	17.0	15.0
◆8P	V0145-008A-01	V0145-91008-01		21.5	19.5	17.5	19.5	17.5
◆9P	V0145-009A-01	V0145-91009-01		24.0	22.0	20.0	22.0	20.0
◆10P	V0145-010A-01	V0145-91010-01		28.5	24.5	22.5	24.5	22.5

◆MARK MEANS NOT AVAILABLE.



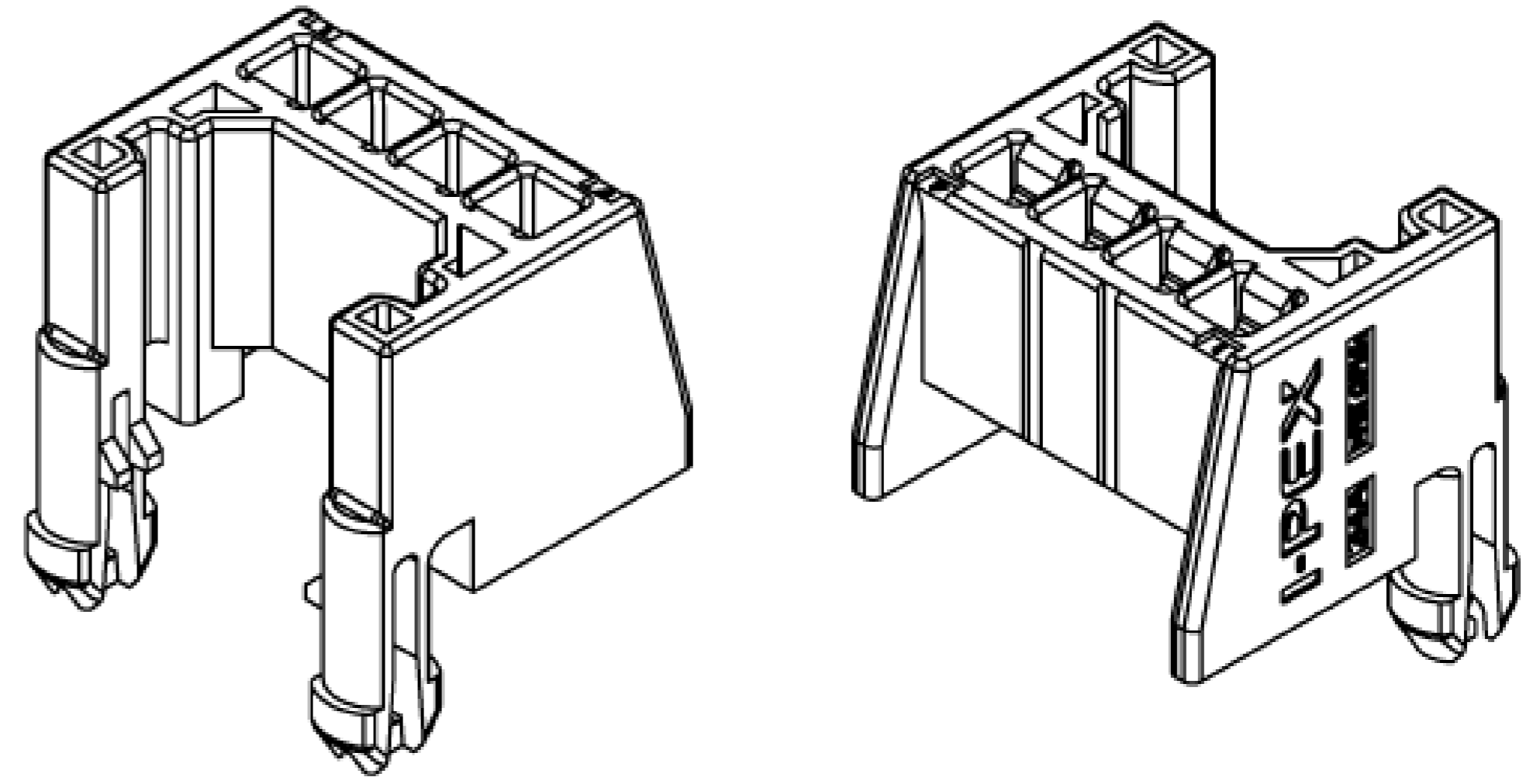
NOTE  
 1. CABLE SIZE: 0.3 mm<sup>2</sup> (FINISHED  $\Phi$  1.67 mm MAX.)  
 2. COMPLY WITH ELV/RoHS  
 3. PRODUCT SPECIFICATION NO.: PSS-0041  
 4. HANDLING MANUAL NO.: HDM-0035

Rev.0

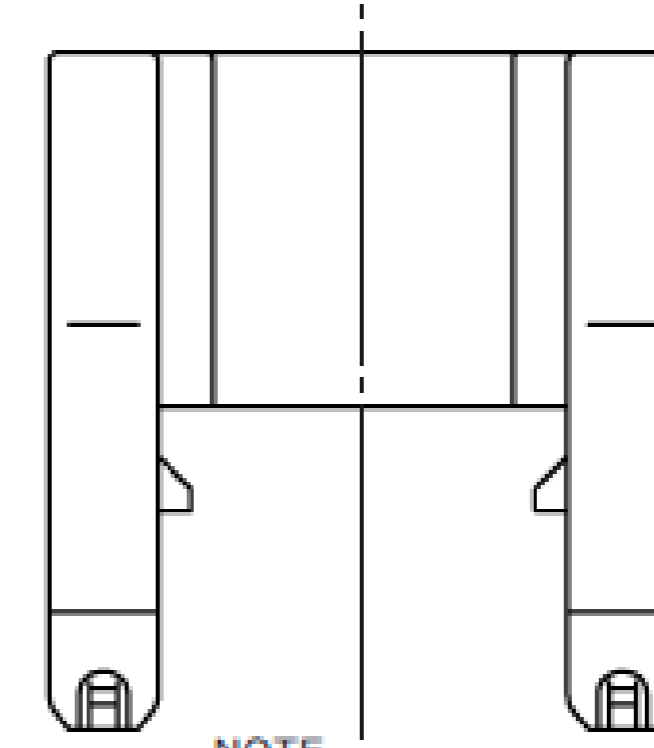
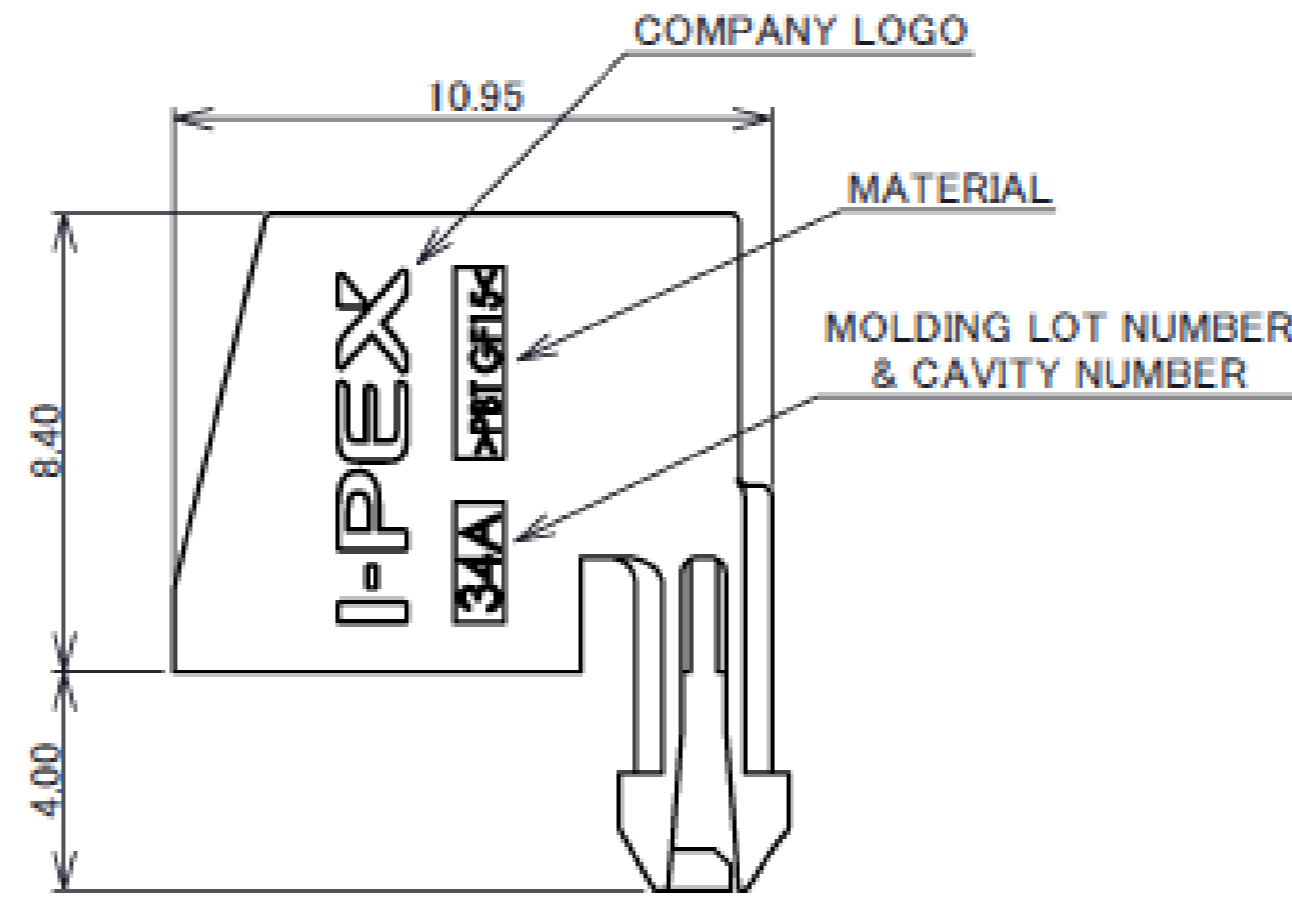
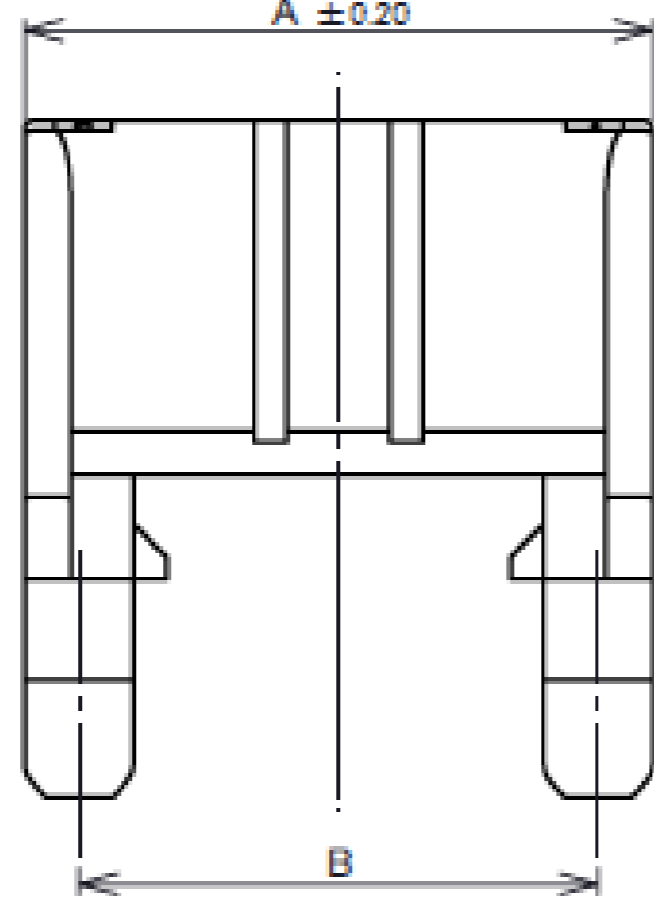
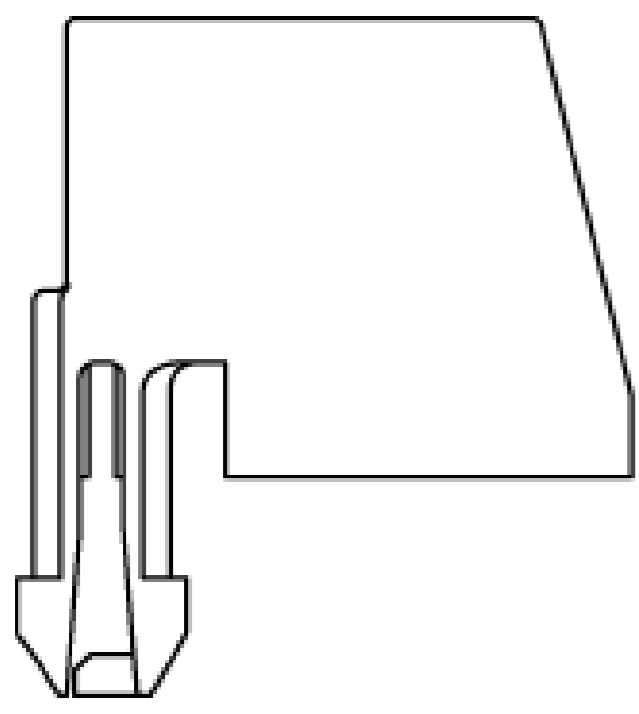
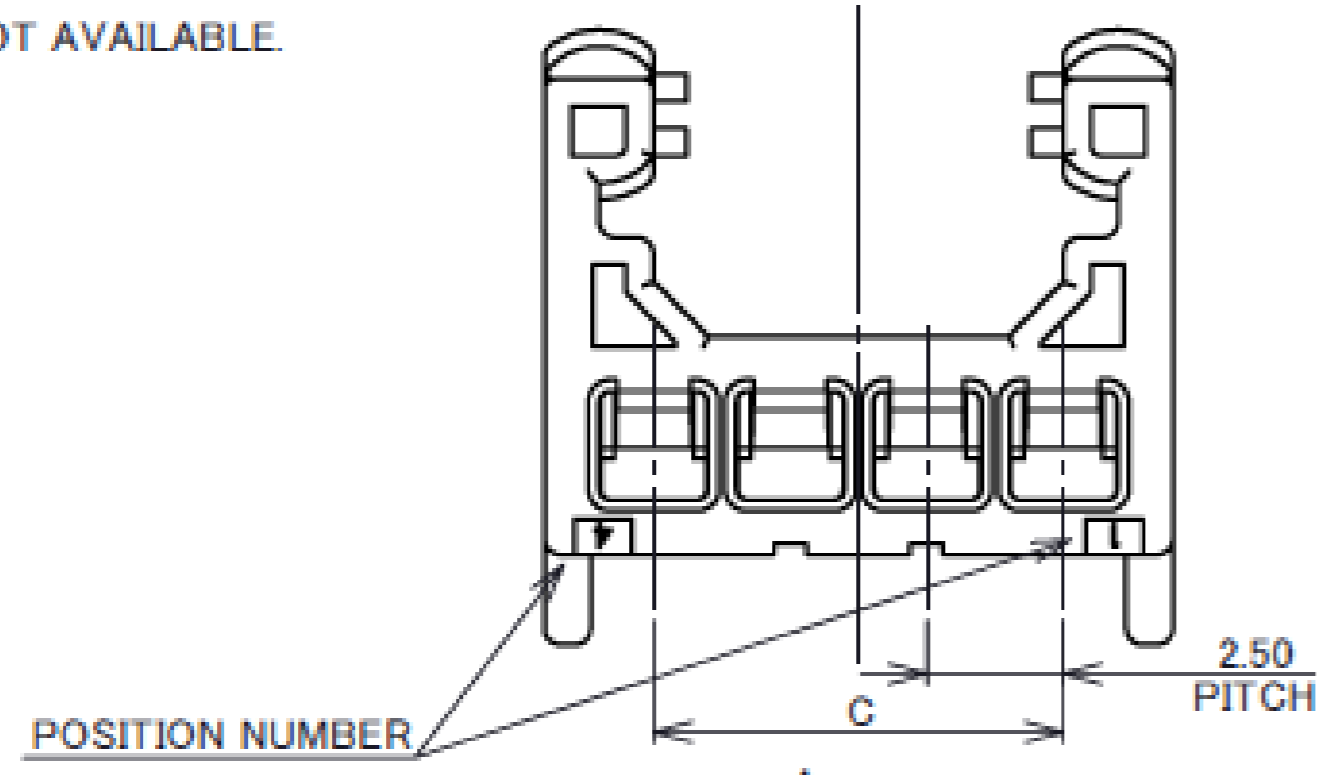
# IARPB® (Vertical Type) CONNECTOR HOUSING :

VARIATIONS	PART NO.	A	B	C
2P	V0145-91002-01	8.5	4.5	2.5
◆3P	V0145-91003-01	9.0	7.0	5.0
4P	V0145-91004-01	11.5	9.5	7.5
◆5P	V0145-91005-01	14.0	12.0	10.0
◆6P	V0145-91008-01	18.5	14.5	12.5
7P	V0145-91007-01	19.0	17.0	15.0
◆8P	V0145-91008-01	21.5	19.5	17.5
◆9P	V0145-91009-01	24.0	22.0	20.0
◆10P	V0145-91010-01	28.5	24.5	22.5

◆MARK MEANS NOT AVAILABLE.



ISOMETRIC VIEW



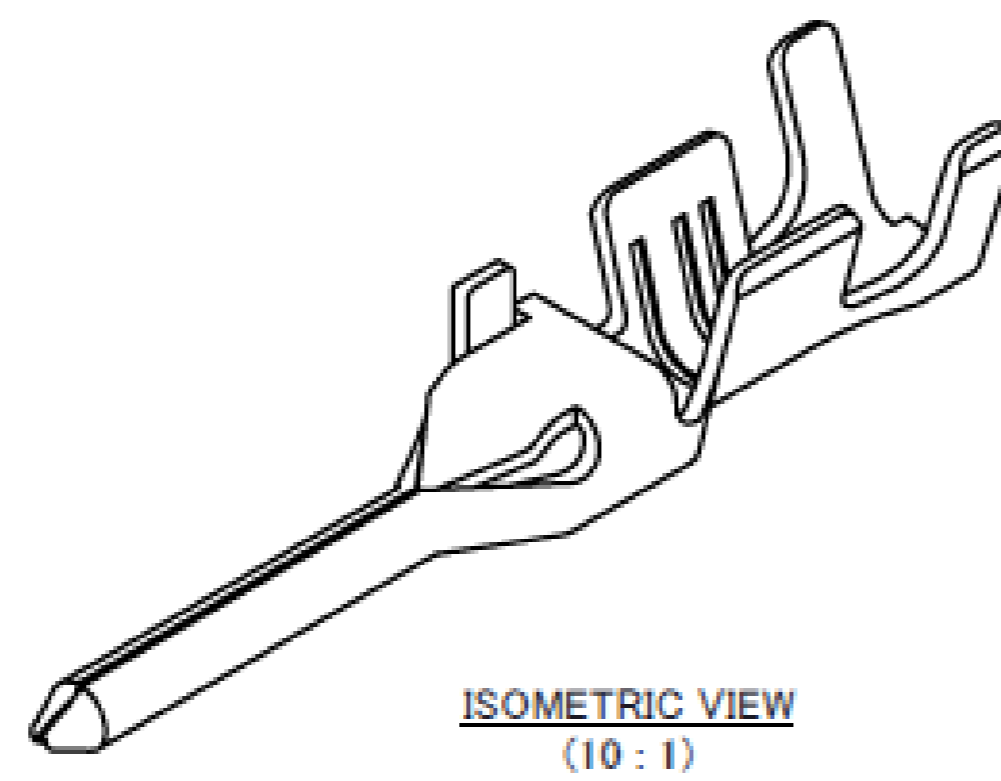
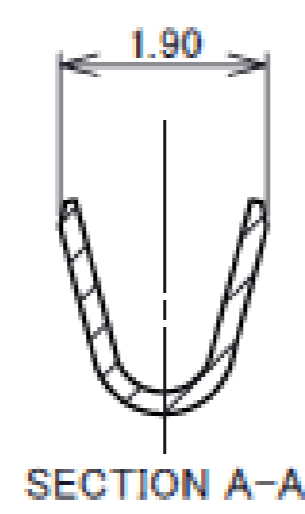
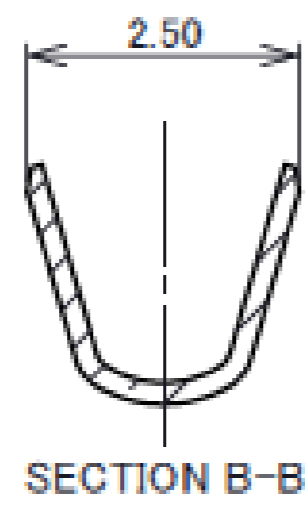
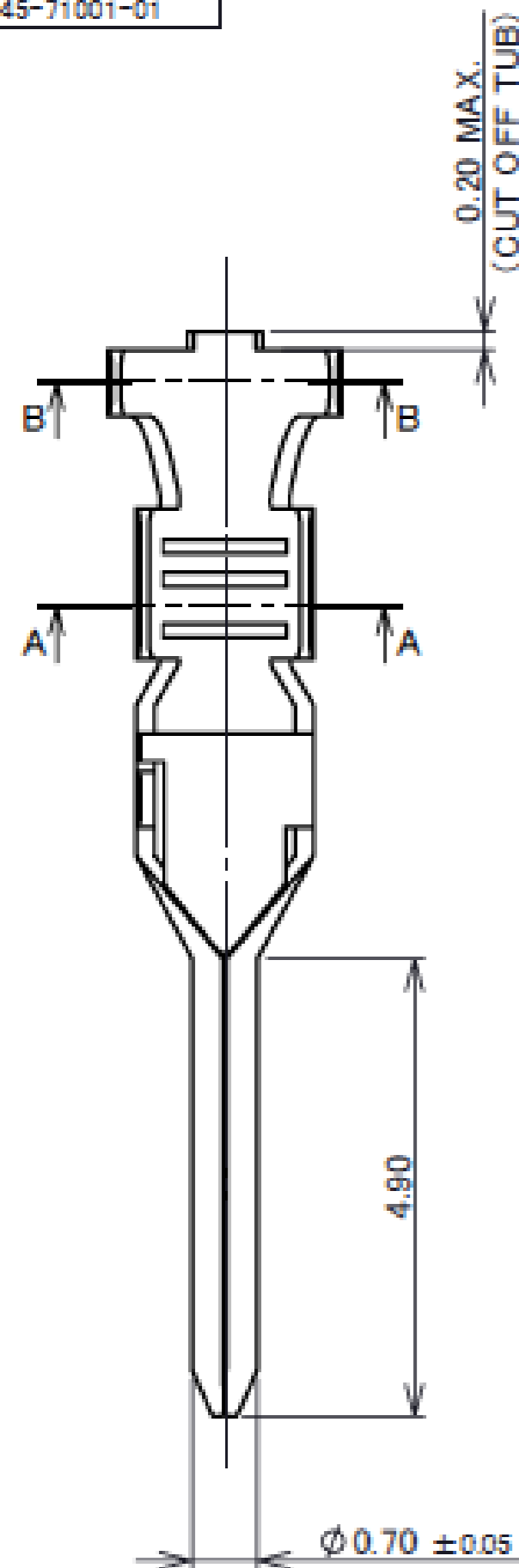
- NOTE
1. TERMINAL P/N: V0145-71001-01
  2. COMPLY WITH ELV/RoHS
  3. PRODUCT SPECIFICATION NO.: PSS-0041
  4. HANDLING MANUAL NO.: HDM-0035

1	HOUSING	GLASS FILLED PBT	BLACK
NO.	DESCRIPTION	MATERIAL	FINISH/COLOR/REMARKS

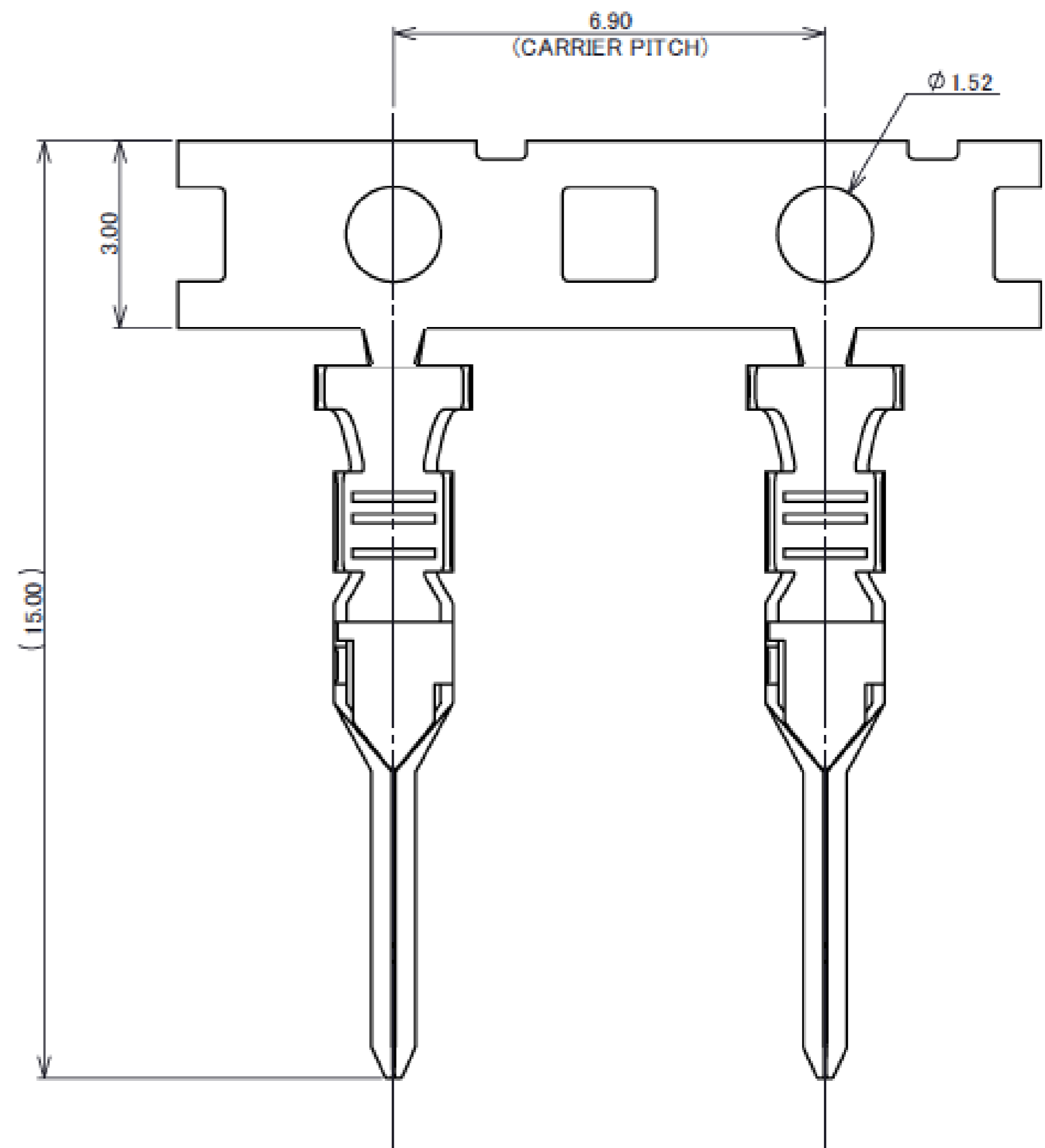
Rev.0

# IARPB® (Vertical Type) CONNECTOR TERMINAL :

PART NO.
V0145-71001-01



ISOMETRIC VIEW (10 : 1)



CARRIER

1	TERMINAL	BRASS	REFLOW Sn
NO.	DESCRIPTION	MATERIAL	FINISH/COLOR/REMARKS

- NOTE
1. HOUSING P/N: V0145-9100N-01
  2. CABLE SIZE: 0.3 mm<sup>2</sup> (FINISHED  $\Phi$  1.67 mm MAX.)
  3. COMPLY WITH ELV/RoHS
  4. PRODUCT SPECIFICATION NO.: PSS-0041
  5. HANDLING MANUAL NO.: HDM-0035

Rev.0

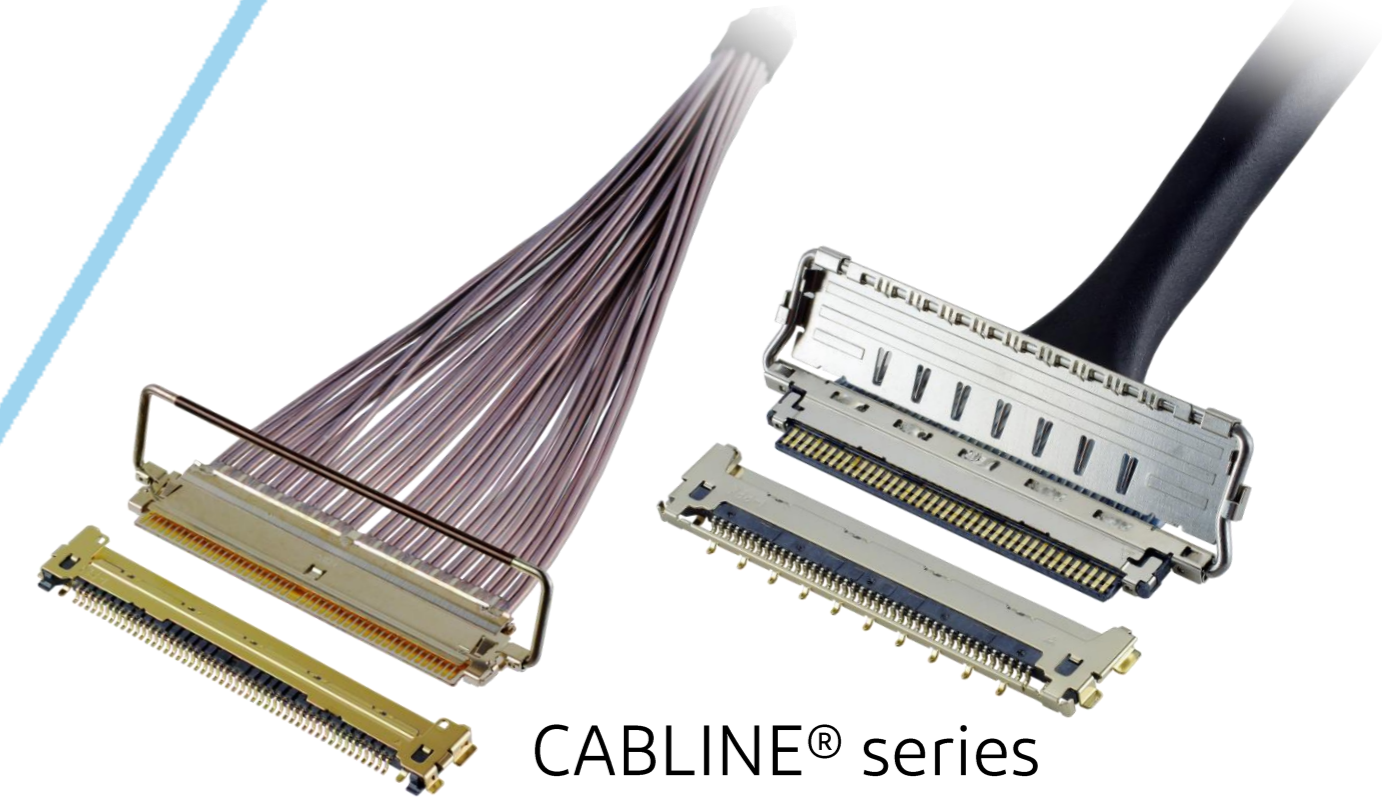
# Custom Connectors Available

## RF Connector

MHF® series



## Micro-coaxial/Twinax/ Discrete Wire Connector



CABLINE® series

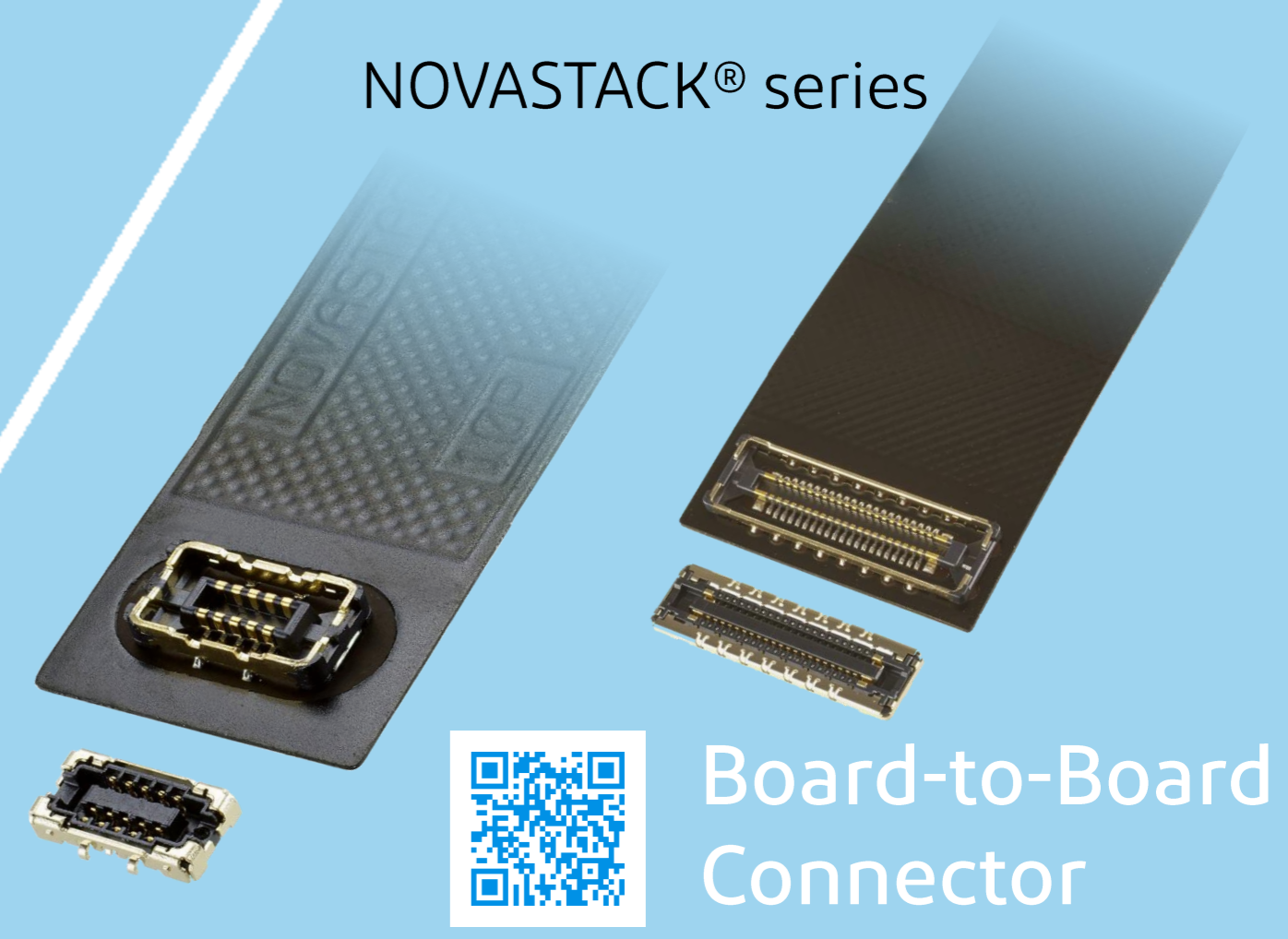


## Optical Module

LIGHTPASS® series



NOVASTACK® series



## Board-to-Board Connector



## Power Connector/ Terminal

AP series

ISH® series



MINIFLEX® series

EVAFLEX® series



## FPC FFC Connector



## Inquiry



MINIDOCK® series

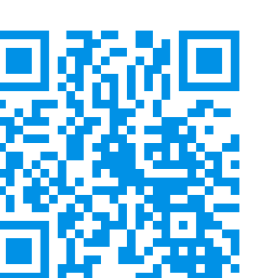


## I/O Connector

I-PEX, MHF, CABLINE, LIGHTPASS, NOVASTACK, ISH, IARPB, MINIFLEX, EVAFLEX, MINIDOCKS and ZenShield are registered trademarks of I-PEX Inc. Please note that the contents in the catalog might be changed without prior notification. I-PEX Inc. assumes no responsibility for any inaccuracies or obligation to update information on these documents. Please be sure to read and understand the latest "Precautions for Use" and "Instruction Manual" before you use our products. We shall not be responsible for any defects, damages or troubles in case you use our products without following the precautions for use. Please feel free to contact our sales representatives when you use our products for any applications that require very high reliability and safety, or that relate to human life (ex. nuclear power control, aerospace, transportation, medical equipment, safety equipment etc.).

Contact your sales representative or more detailed information.

[www.i-pex.com](http://www.i-pex.com)



# I-PEX

© I-PEX Inc. 2024  
All rights reserved