

# IARPB<sup>®</sup> (Vertical Type)

진동성에 우수한 전선 대 기판 Connector

## Product Specifications:

Pitch (mm max.)	2.5	
Contact Size (mm)	φ0.7	
Mated Height (mm max.)	8.4	
Width formula (mm)	Single row: 1.5+2.5*?pin	
Operating Temperature	-40 - 125°C	
Vibration Resistance	6G	
Current Rating	3A per pin	
Voltage Rating	250V	
Withstand Voltage	AC 1000V/minute	
Plating	Sn	
Housing	PBT GF15	
Pin counts	Range	Up to 10
	Available	2, 4, 7

## Applicable Cable Size:

AWG#22 \*Insulation Diameter 1.67 mm max.

\*기재가 없는 Pin수에 대해서는 직접 문의 부탁드립니다.

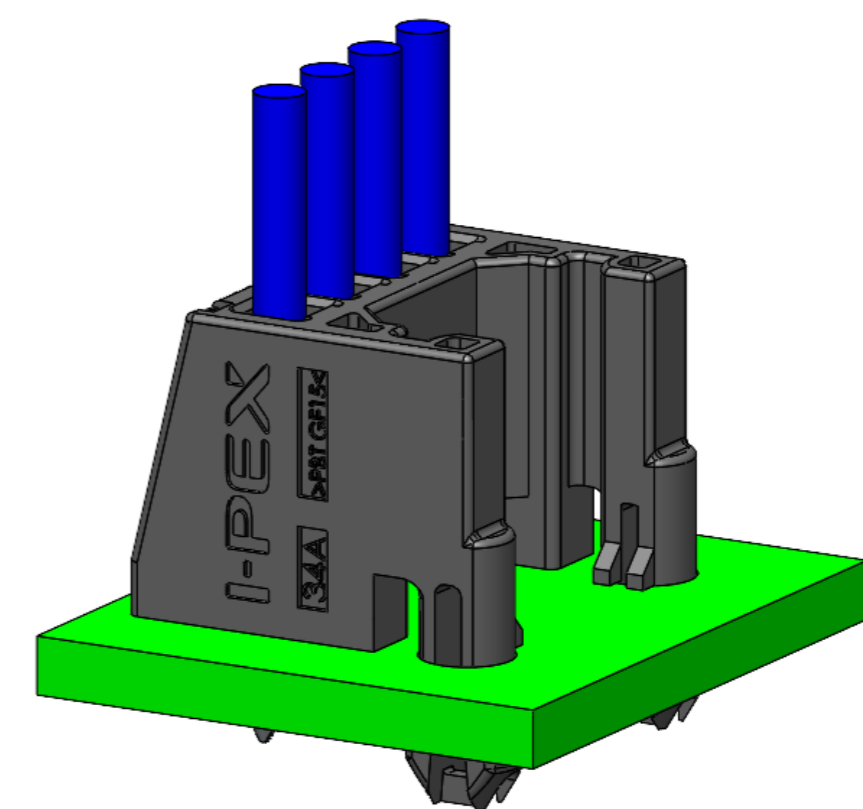
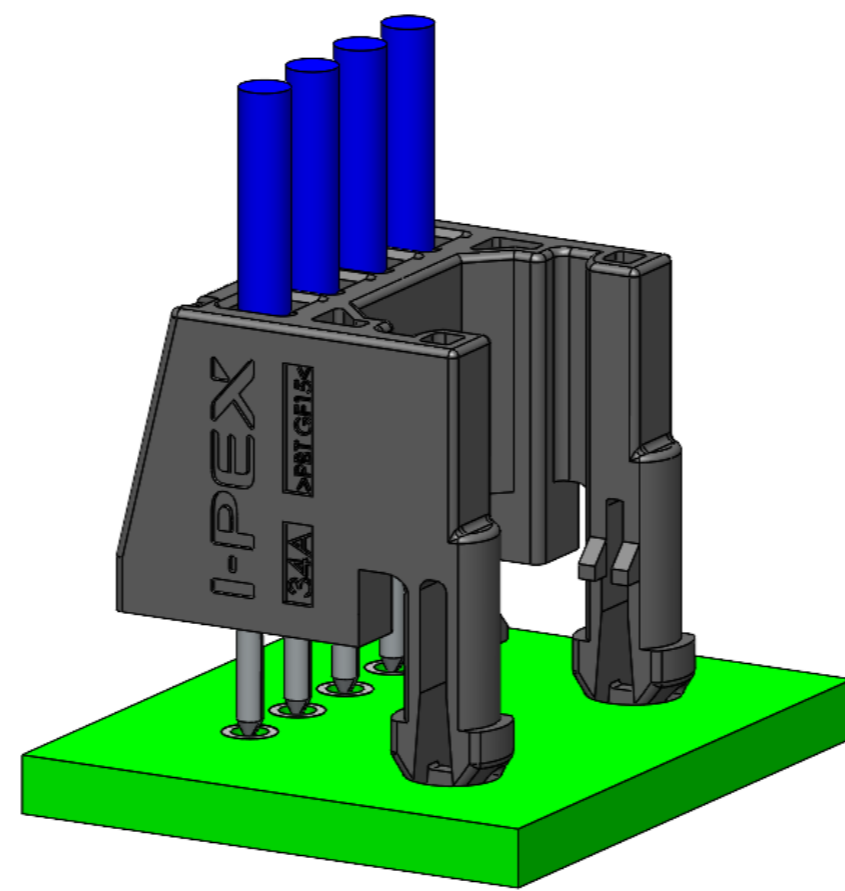
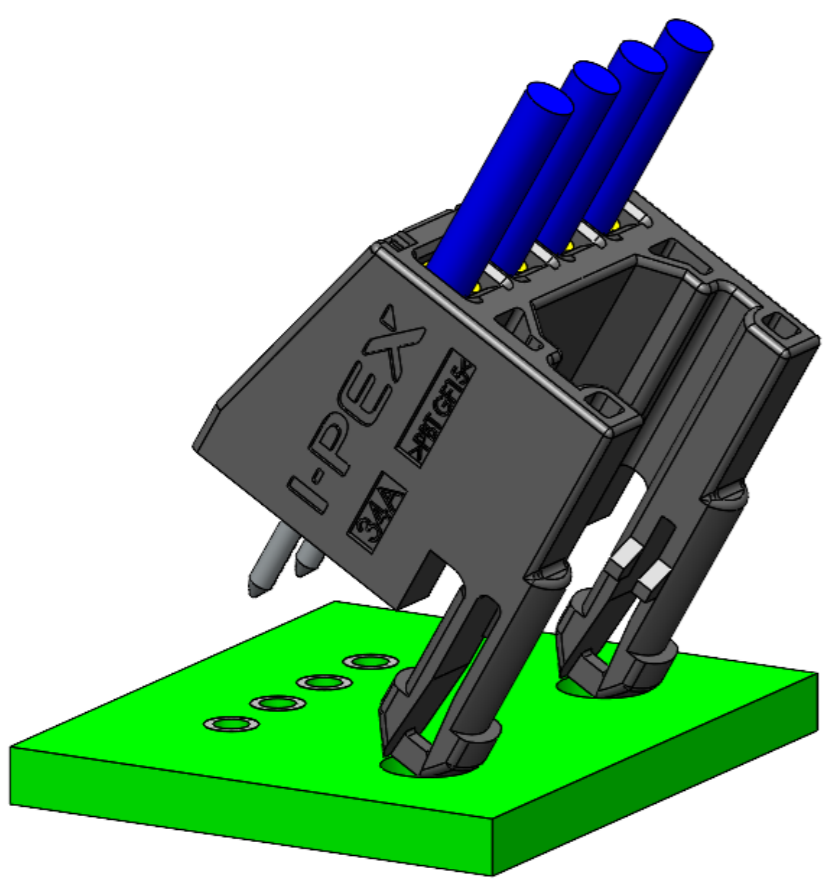


## ▶ Boss가 있는 Housing이 단자를 PCB Through Hole로 확실하게 유도하는 구조

1. Boss로 Connector 위치를 정한다

2. 단자를 PCB Through Hole로 유도

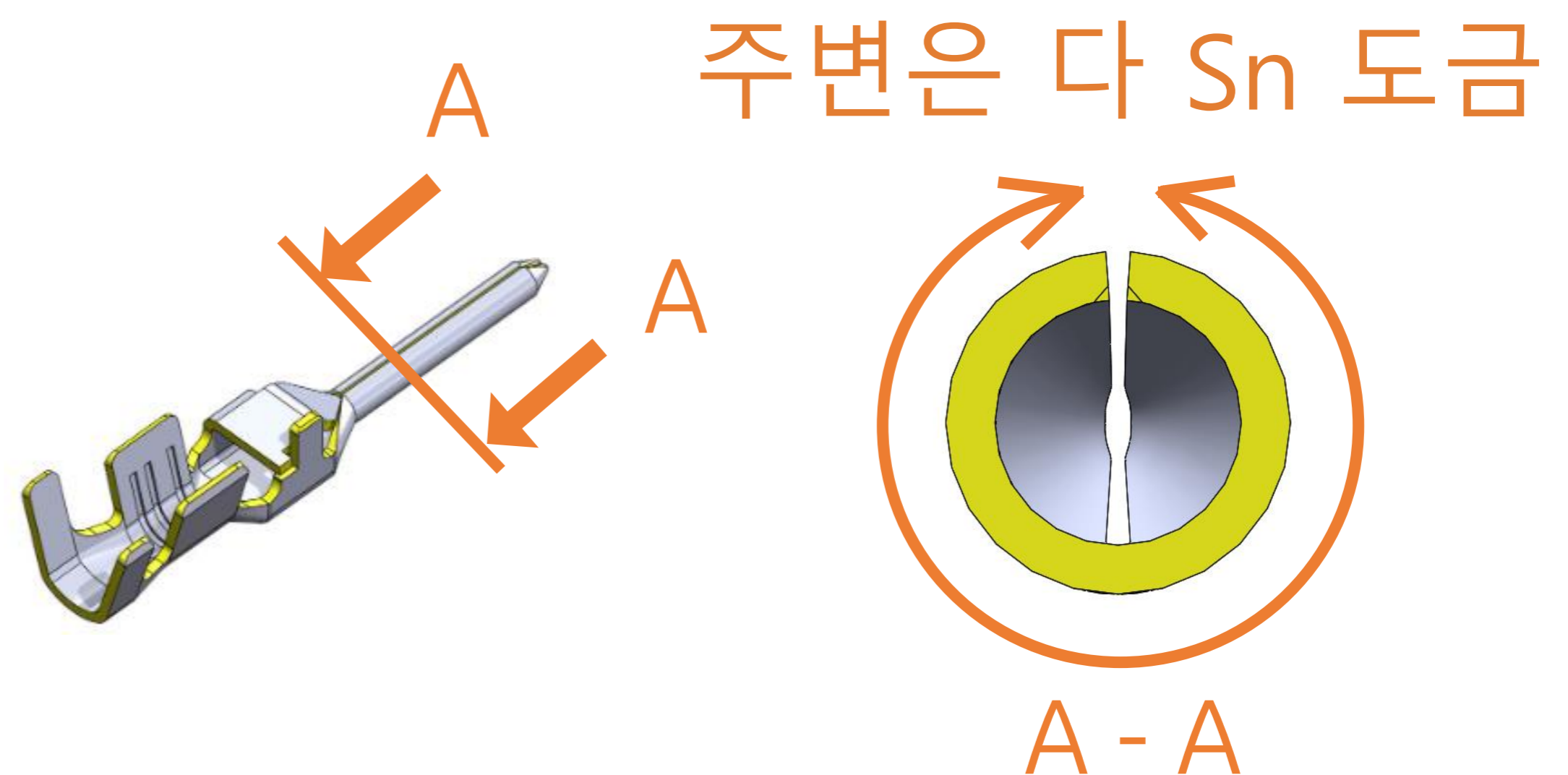
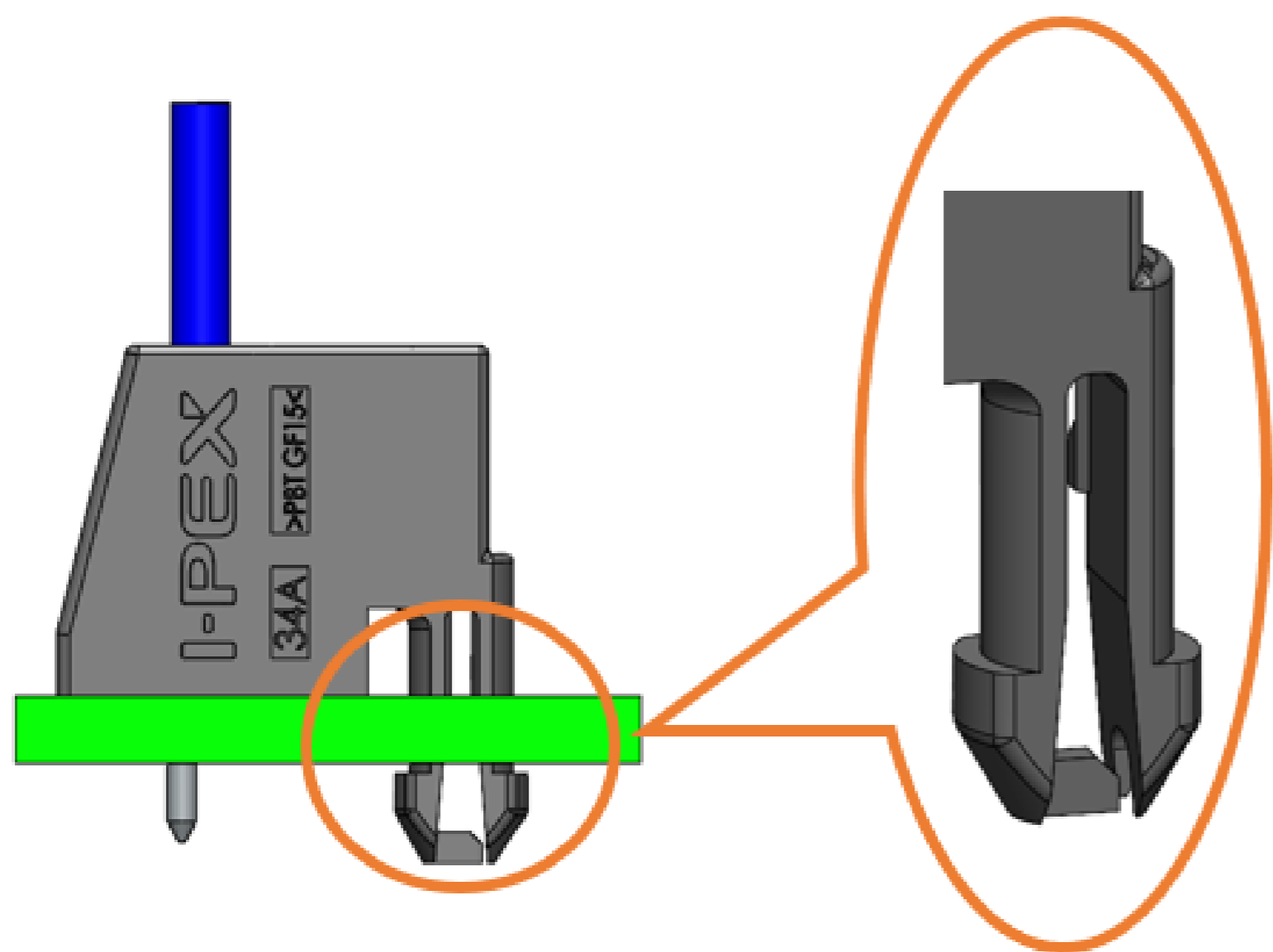
3. Connector를 PCB에 삽입



## ▶ 높은 접속신뢰성을 확보

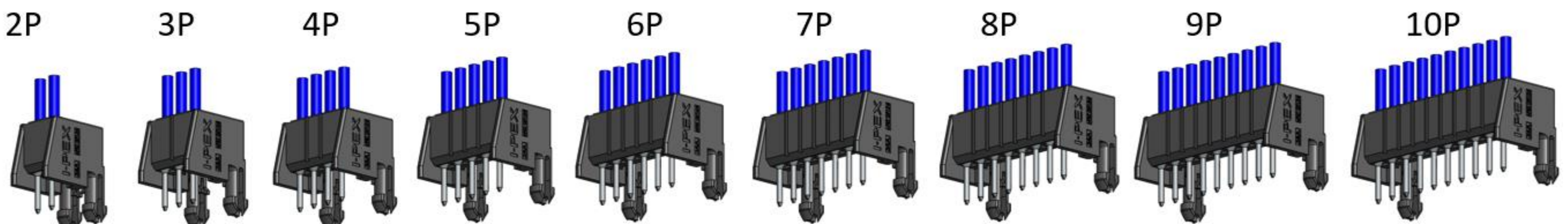
Boss가 있어 Housing이 높은 내진동성을 확보

납땀부의 주변이 다 Sn 도금이 되는 구조이기 때문에 양호한 납 젖음성을 확보하여 접속신뢰성을 향상 시킨다



## ▶ 수평형, 수직형 풍부한 Variation으로 설계 자유도가 향상

Vertical type

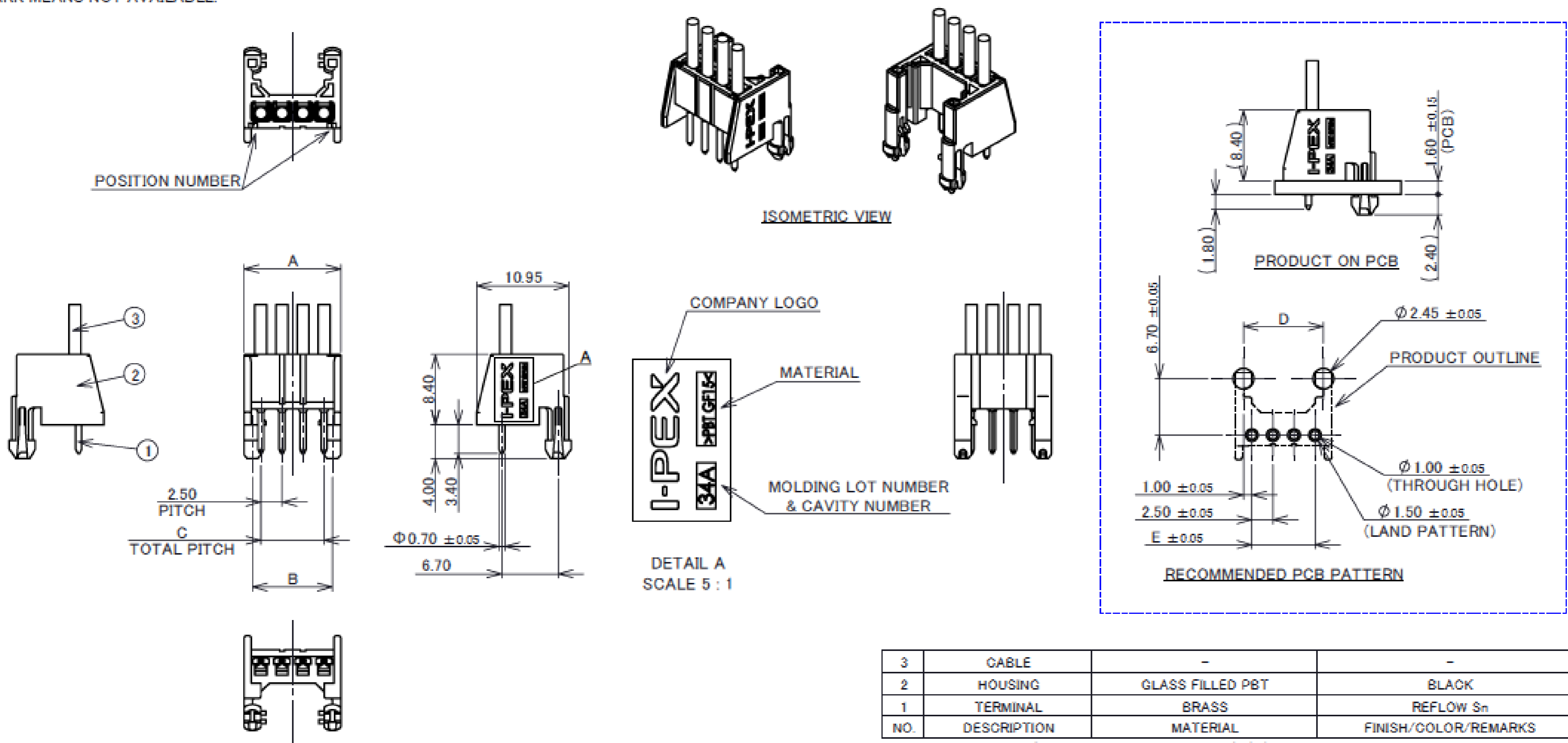


# Component Parts Details

## IARPB® (Vertical Type) CONNECTOR ASS'Y:

VARIATIONS	ASSY PART NO.	HOUSING PART NO.	TERMINAL PART NO.	A	B	C	D	E
2P	V0145-002A-01	V0145-91002-01	V0145-71001-01	8.5	4.5	2.5	4.5	2.5
◆3P	V0145-003A-01	V0145-91003-01		9.0	7.0	5.0	7.0	5.0
4P	V0145-004A-01	V0145-91004-01		11.5	9.5	7.5	9.5	7.5
◆5P	V0145-005A-01	V0145-91005-01		14.0	12.0	10.0	12.0	10.0
◆8P	V0145-008A-01	V0145-91008-01		18.5	14.5	12.5	14.5	12.5
7P	V0145-007A-01	V0145-91007-01		19.0	17.0	15.0	17.0	15.0
◆8P	V0145-008A-01	V0145-91008-01		21.5	19.5	17.5	19.5	17.5
◆9P	V0145-009A-01	V0145-91009-01		24.0	22.0	20.0	22.0	20.0
◆10P	V0145-010A-01	V0145-91010-01		28.5	24.5	22.5	24.5	22.5

◆MARK MEANS NOT AVAILABLE.



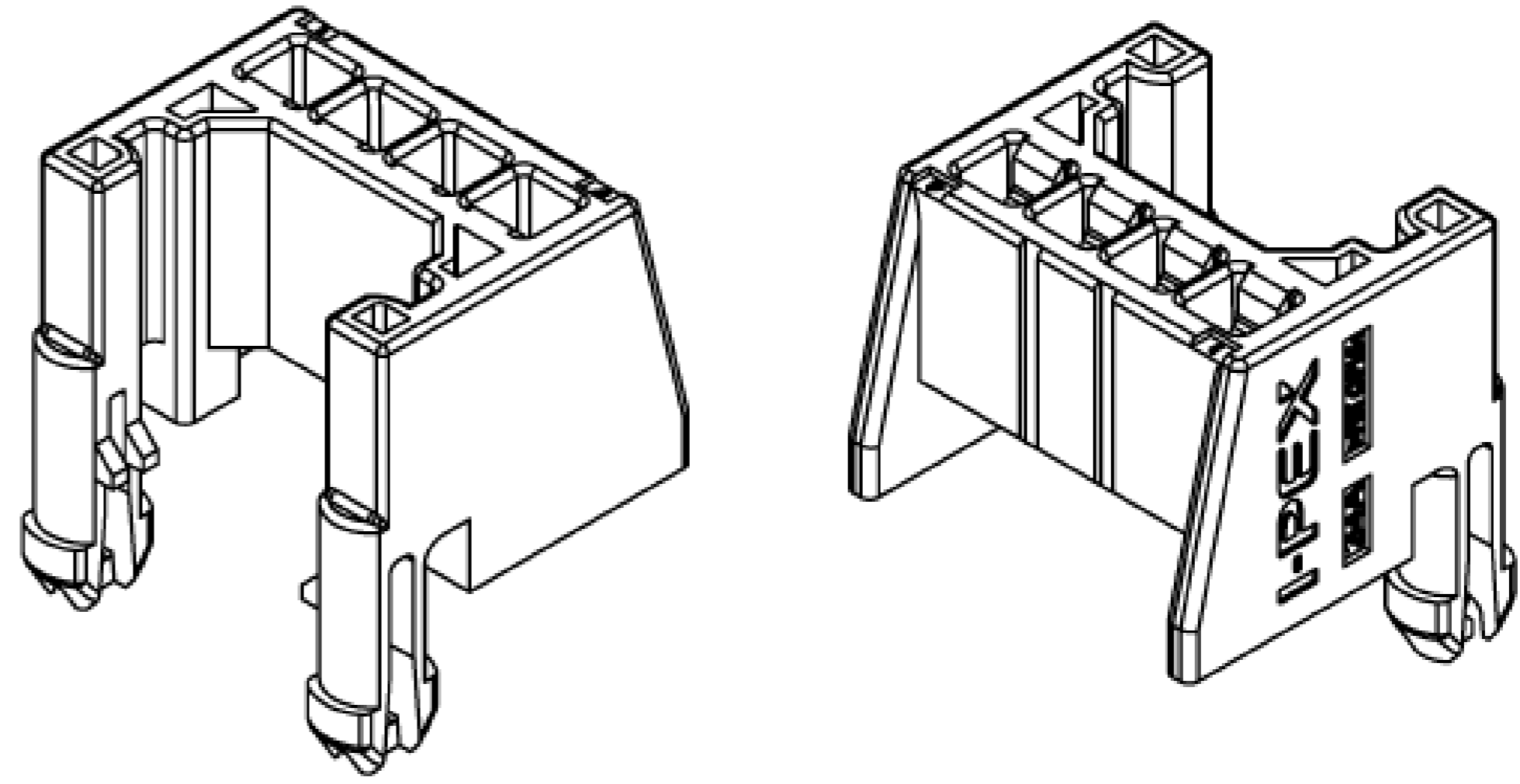
NOTE  
 1. CABLE SIZE: 0.3 mm<sup>2</sup> (FINISHED  $\Phi$  1.67 mm MAX.)  
 2. COMPLY WITH ELV/RoHS  
 3. PRODUCT SPECIFICATION NO.: PSS-0041  
 4. HANDLING MANUAL NO.: HDM-0035

Rev.0

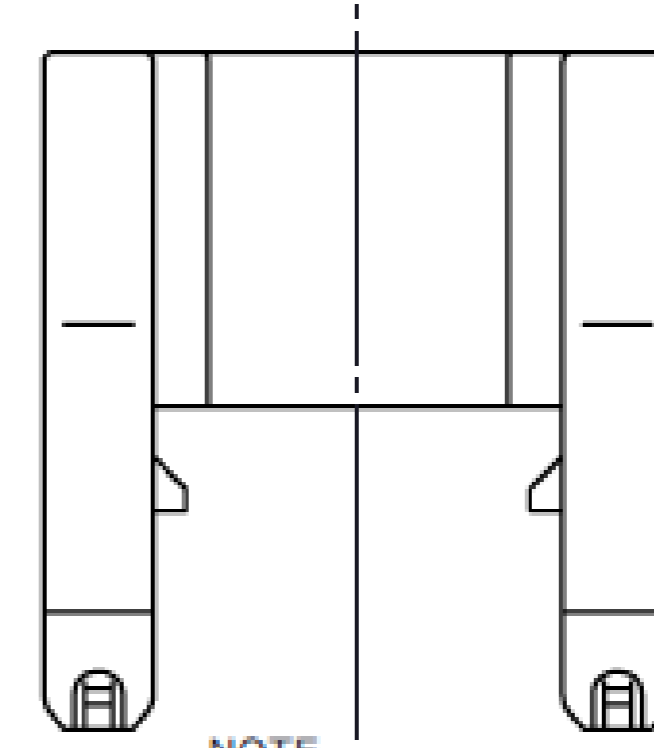
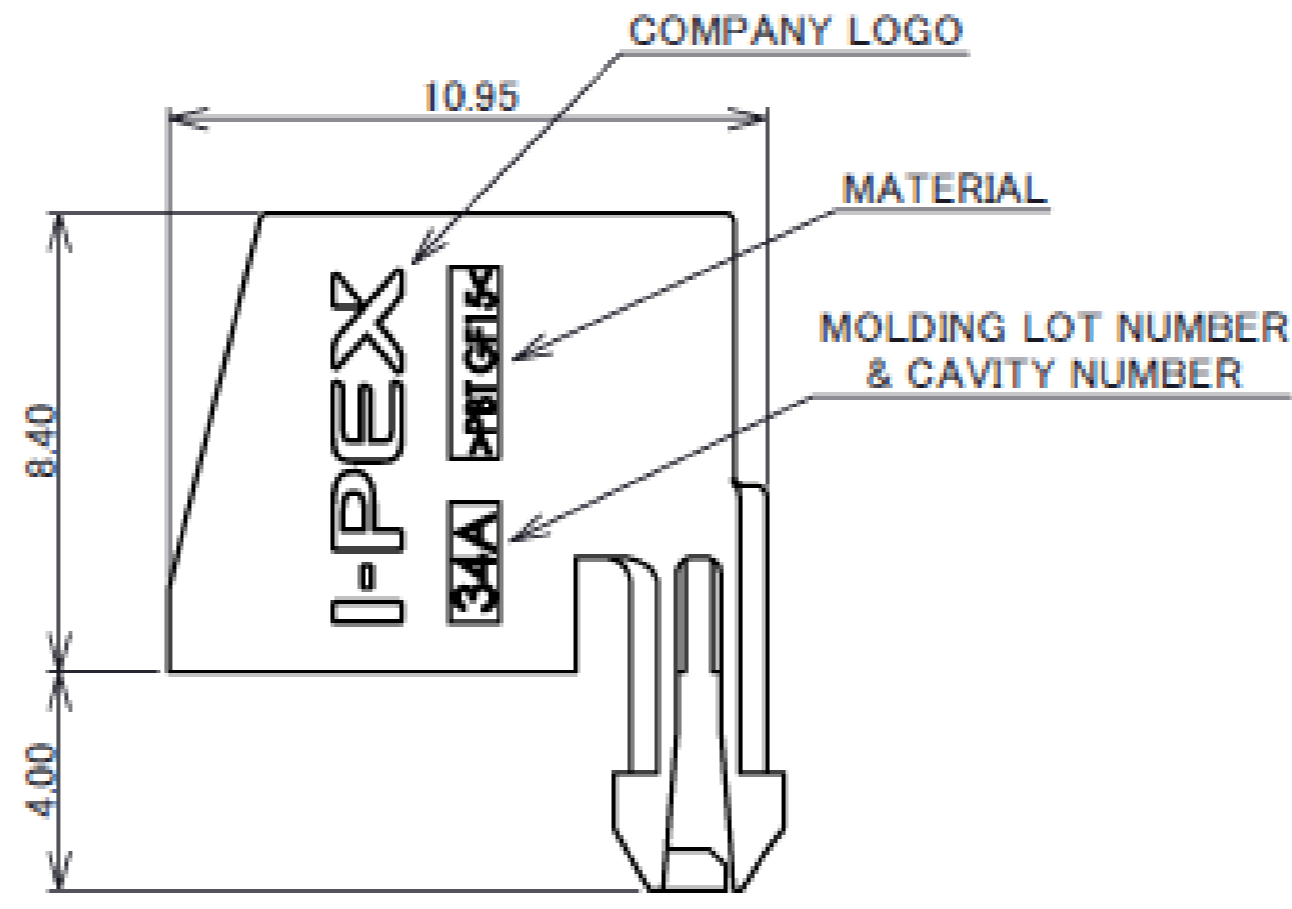
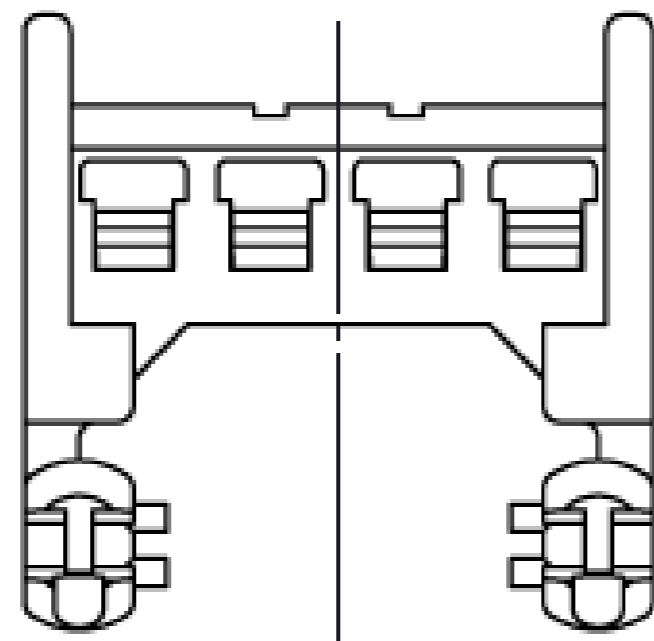
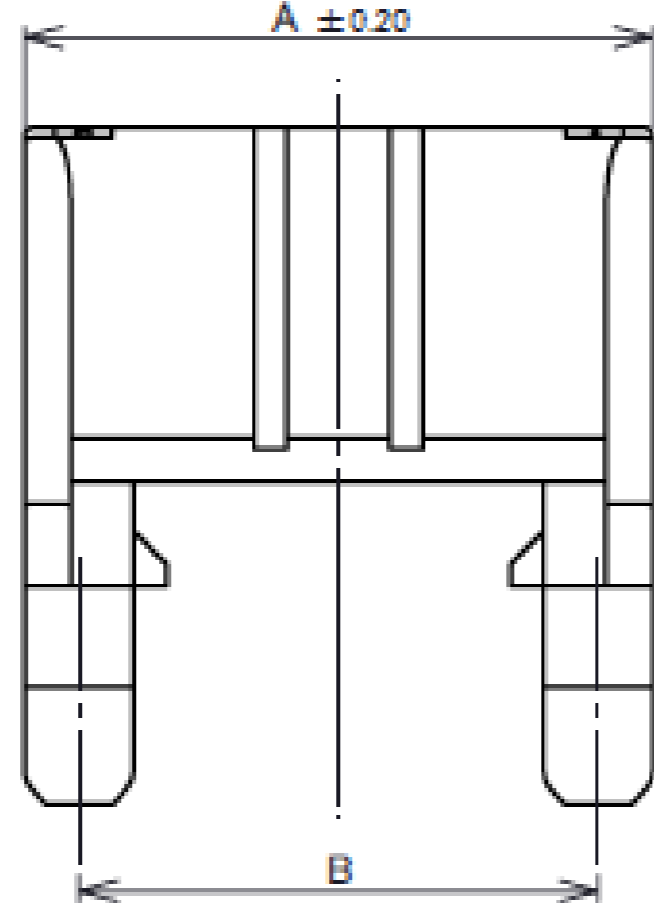
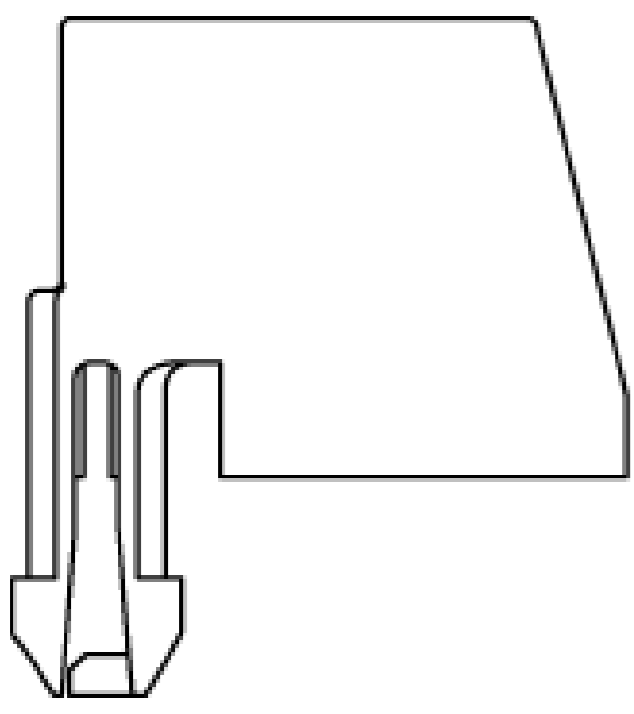
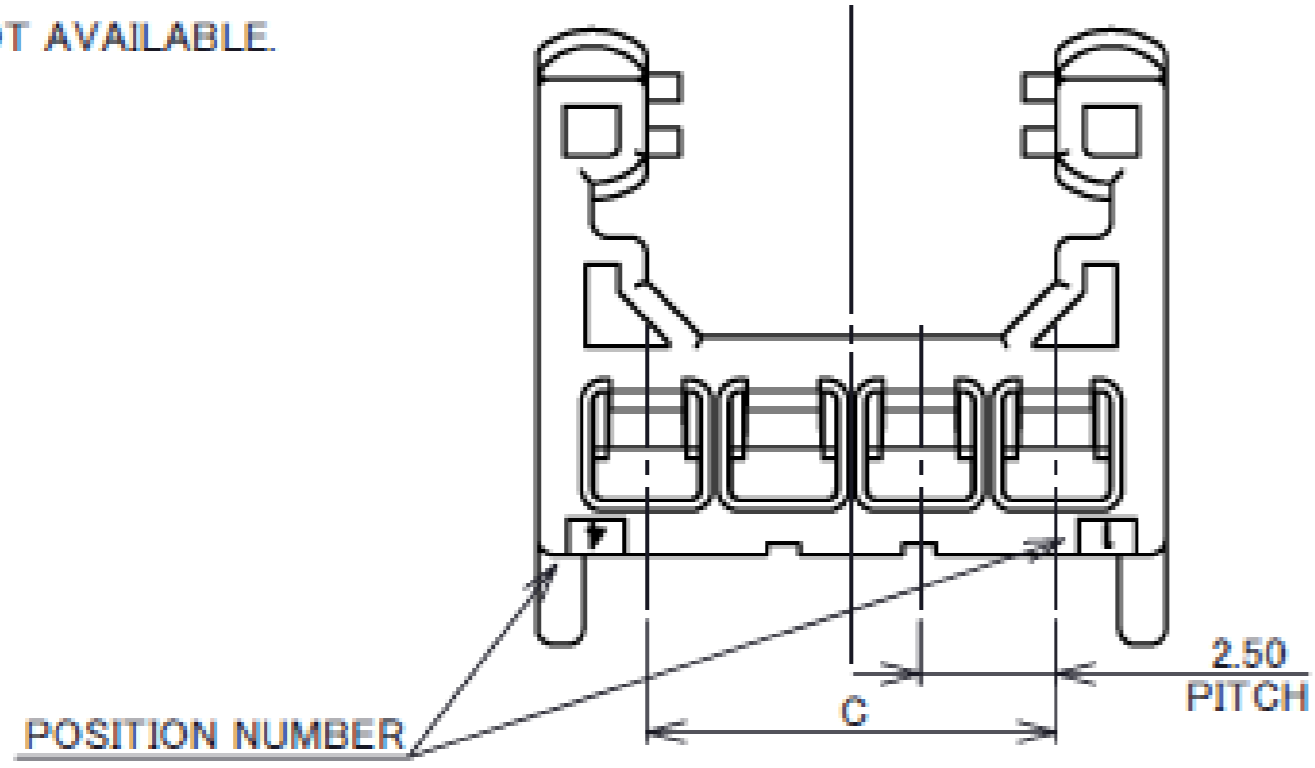
# IARPB® (Vertical Type) CONNECTOR HOUSING :

VARIATIONS	PART NO.	A	B	C
2P	V0145-91002-01	8.5	4.5	2.5
◆3P	V0145-91003-01	9.0	7.0	5.0
4P	V0145-91004-01	11.5	9.5	7.5
◆5P	V0145-91005-01	14.0	12.0	10.0
◆6P	V0145-91008-01	18.5	14.5	12.5
7P	V0145-91007-01	19.0	17.0	15.0
◆8P	V0145-91008-01	21.5	19.5	17.5
◆9P	V0145-91009-01	24.0	22.0	20.0
◆10P	V0145-91010-01	28.5	24.5	22.5

◆MARK MEANS NOT AVAILABLE.



ISOMETRIC VIEW



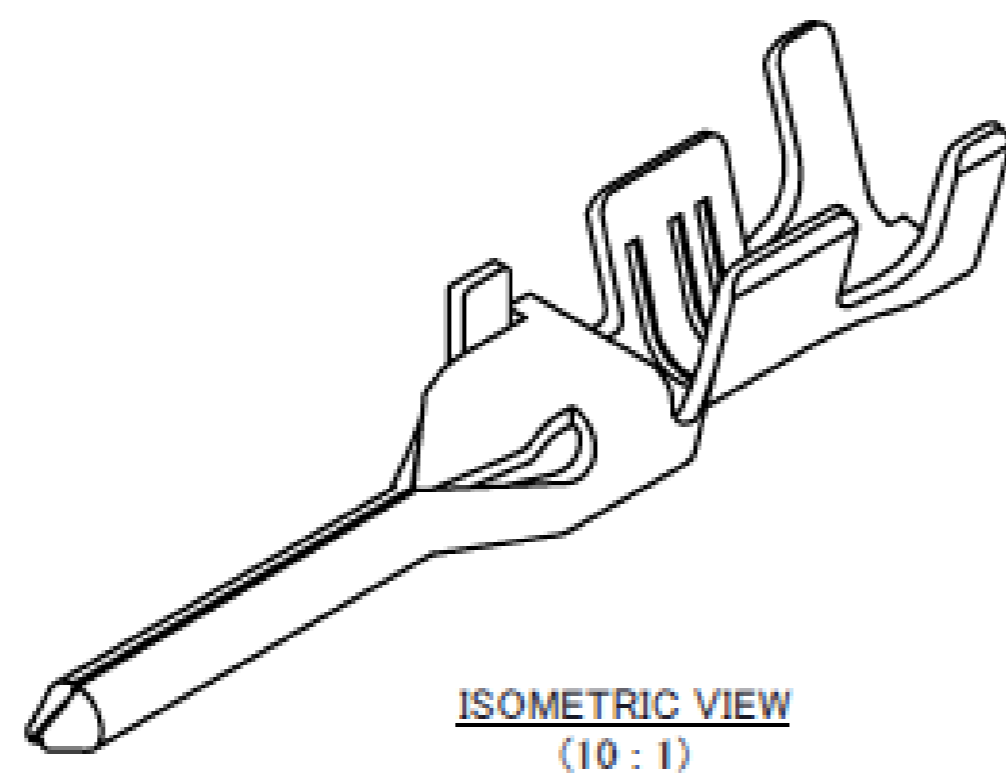
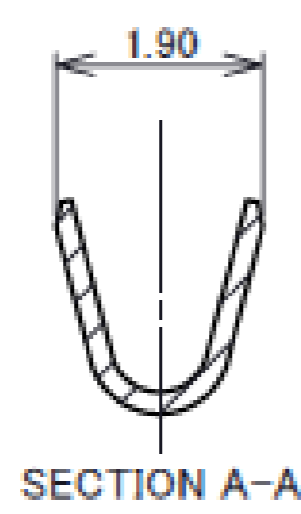
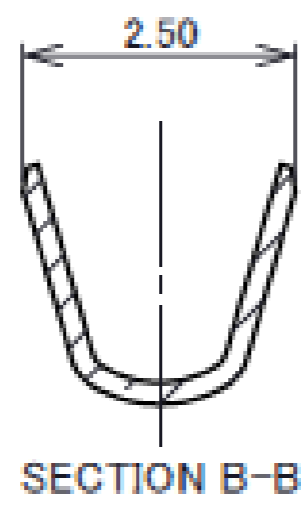
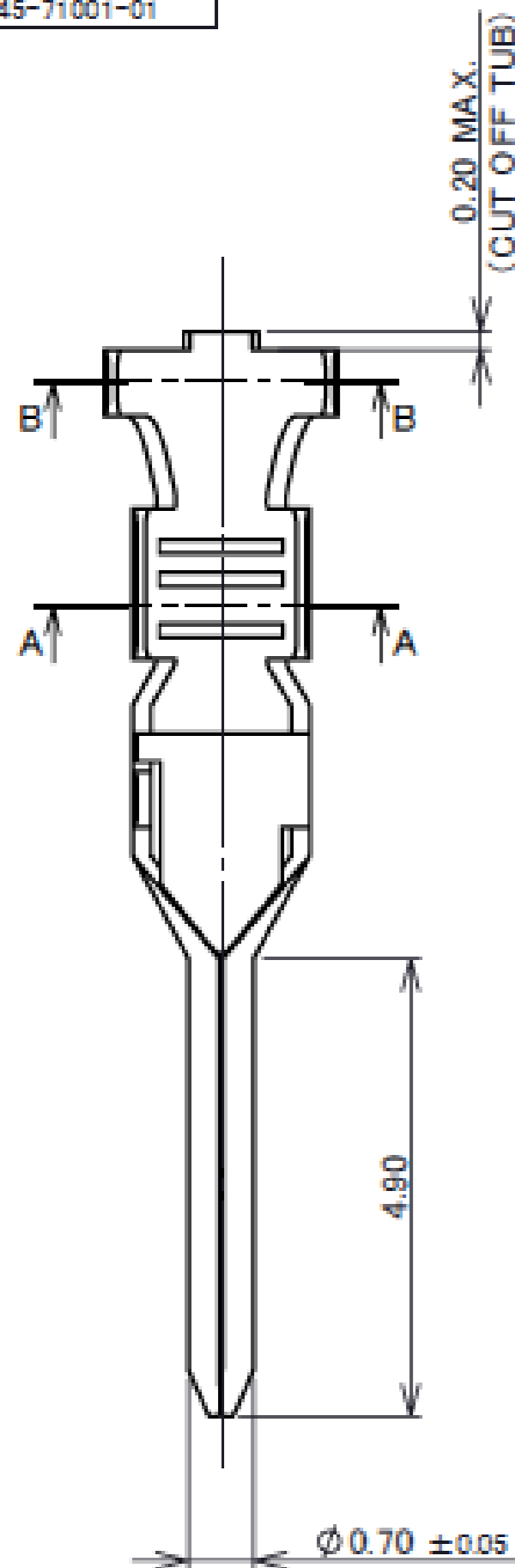
- NOTE
1. TERMINAL P/N: V0145-71001-01
  2. COMPLY WITH ELV/RoHS
  3. PRODUCT SPECIFICATION NO.: PSS-0041
  4. HANDLING MANUAL NO.: HDM-0035

NO.	DESCRIPTION	MATERIAL	FINISH/COLOR/REMARKS
1	HOUSING	GLASS FILLED PBT	BLACK

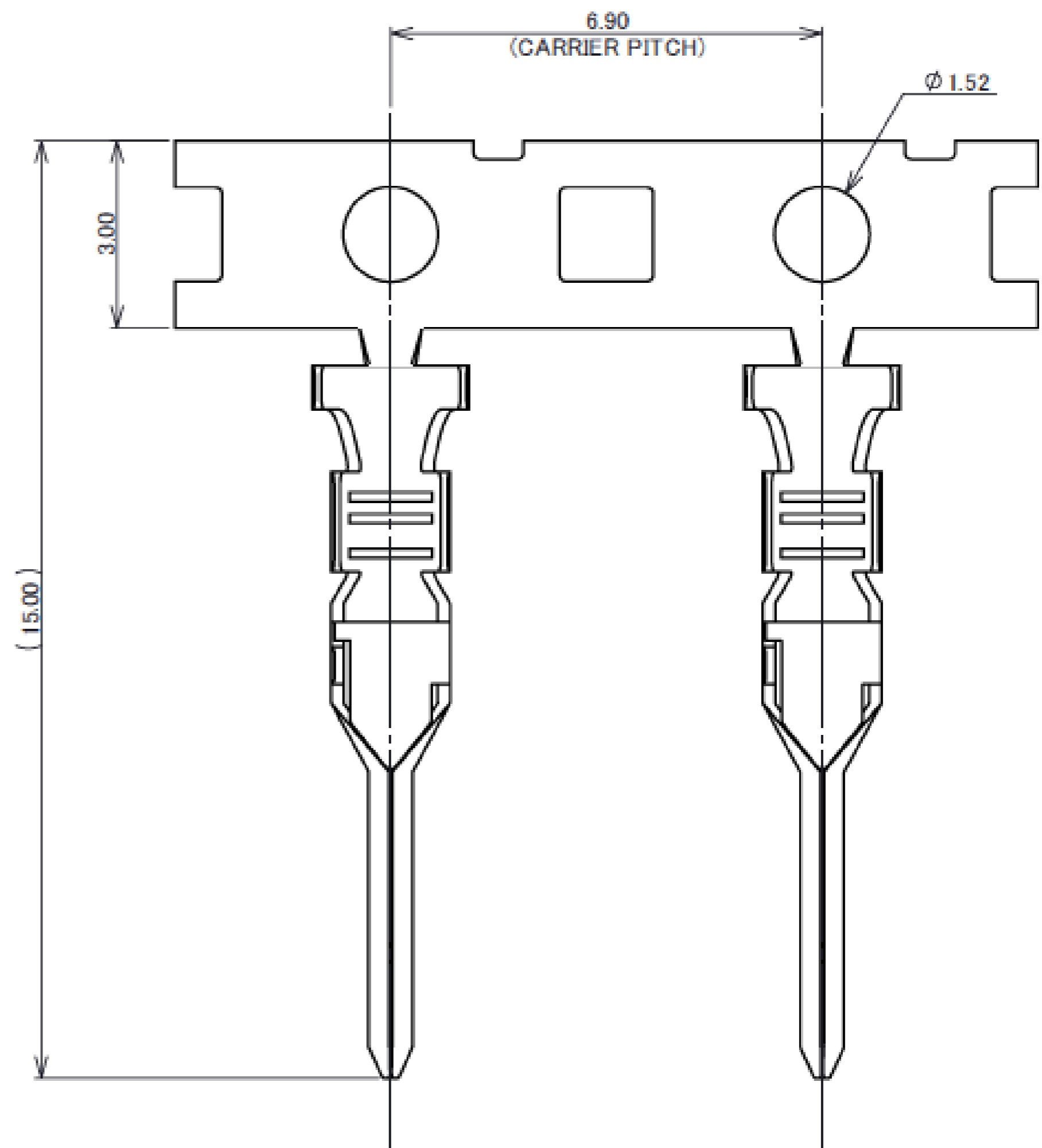
Rev.0

# IARPB® (Vertical Type) CONNECTOR TERMINAL :

PART NO.
V0145-71001-01



ISOMETRIC VIEW (10:1)



CARRIER

NO.	DESCRIPTION	MATERIAL	FINISH/COLOR/REMARKS
1	TERMINAL	BRASS	REFLOW Sn

- NOTE
1. HOUSING P/N: V0145-9100N-01
  2. CABLE SIZE: 0.3 mm<sup>2</sup> (FINISHED  $\Phi$  1.67 mm MAX.)
  3. COMPLY WITH ELV/RoHS
  4. PRODUCT SPECIFICATION NO.: PSS-0041
  5. HANDLING MANUAL NO.: HDM-0035

Rev.0

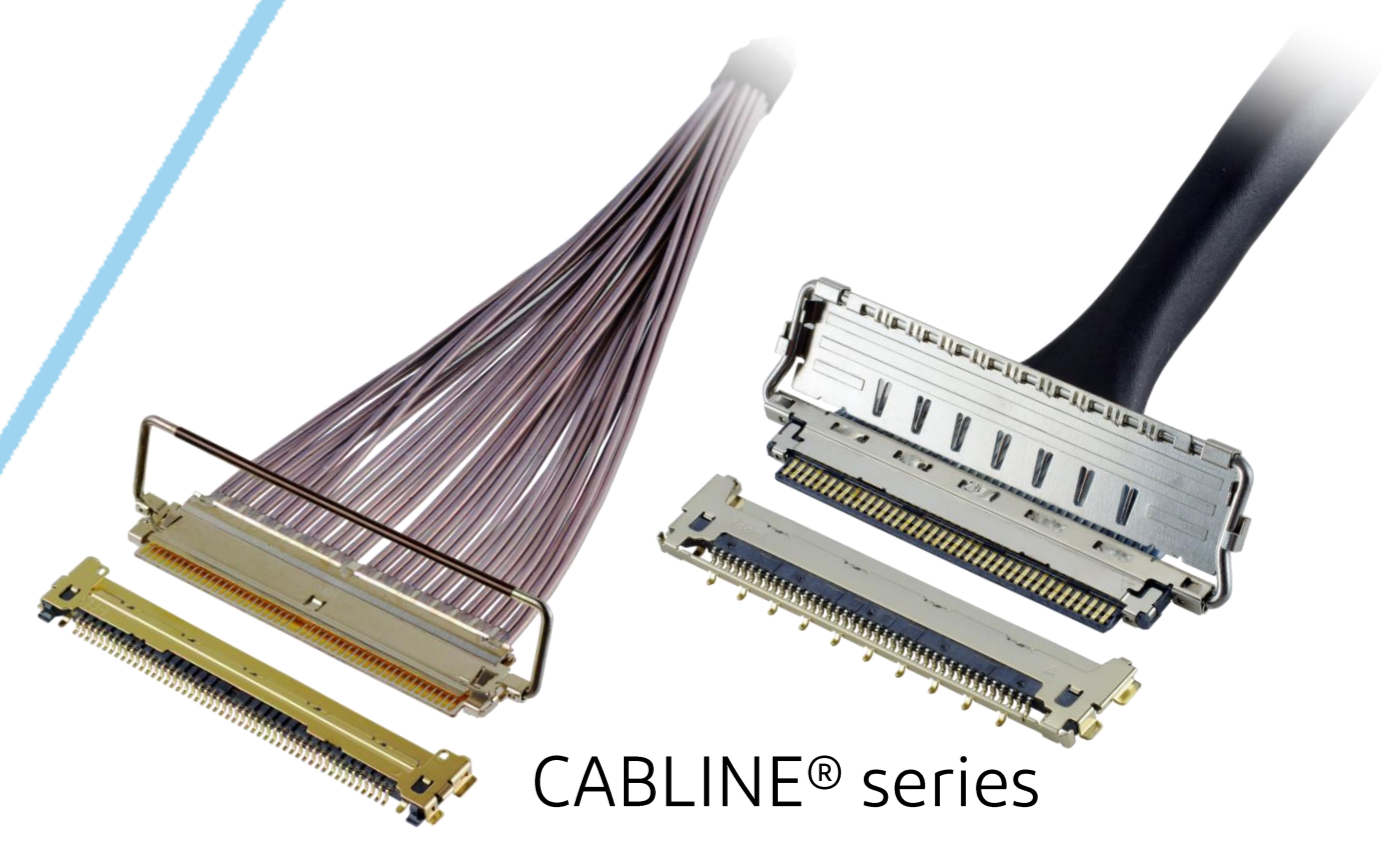
# Custom Connectors Available

## RF Connector

MHF® series



## Micro-coaxial/Twinax/Discrete Wire Connector



CABLINE® series

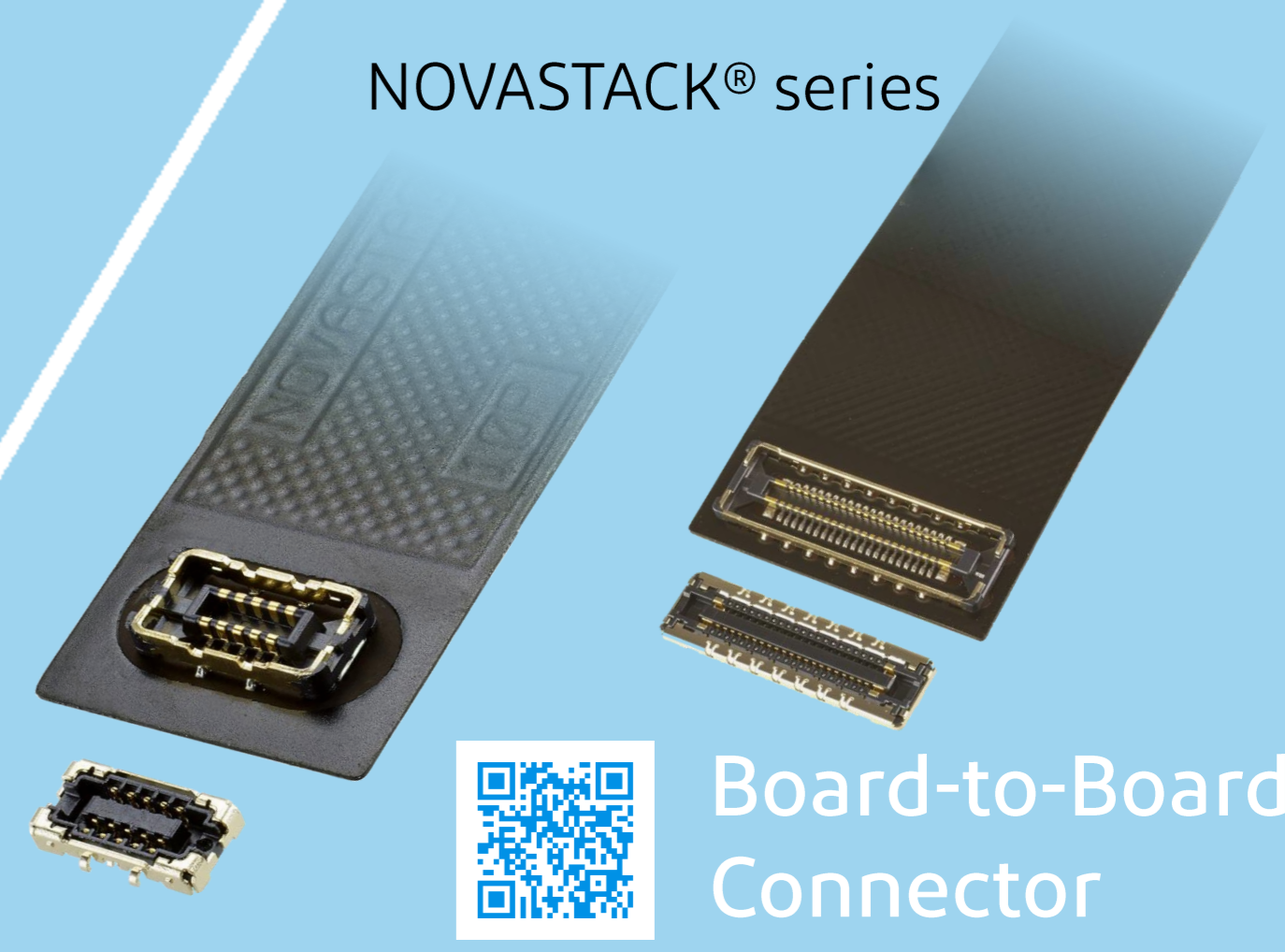


## Optical Module

LIGHTPASS® series



NOVASTACK® series



## Board-to-Board Connector



## Power Connector/Terminal

AP series

ISH® series



MINIFLEX® series

EVAFLEX® series



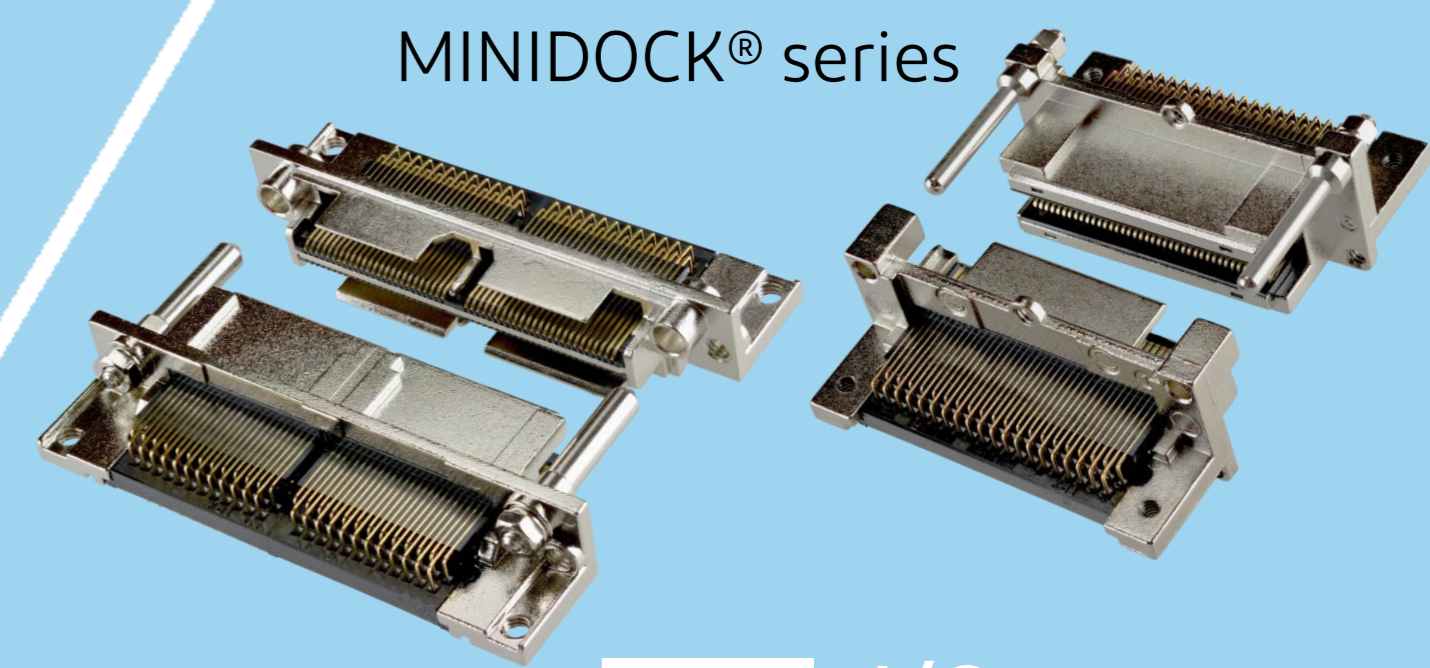
## FPC FFC Connector



## Inquiry



MINIDOCK® series



## I/O Connector

I-PEX, MHF, CABLINE, LIGHTPASS, NOVASTACK, ISH, IARPB, MINIFLEX, EVAFLEX, MINIDOCKS and ZenShield are registered trademarks of I-PEX Inc. Please note that the contents in the catalog might be changed without prior notification. I-PEX Inc. assumes no responsibility for any inaccuracies or obligation to update information on these documents. Please be sure to read and understand the latest "Precautions for Use" and "Instruction Manual" before you use our products. We shall not be responsible for any defects, damages or troubles in case you use our products without following the precautions for use. Please feel free to contact our sales representatives when you use our products for any applications that require very high reliability and safety, or that relate to human life (ex. nuclear power control, aerospace, transportation, medical equipment, safety equipment etc.).

Contact your sales representative or more detailed information.

[www.i-pex.com](http://www.i-pex.com)



# I-PEX

© I-PEX Inc. 2024  
All rights reserved