

IARPB[®] (Vertical Type)

対振動性に優れた電線対基板コネクタ

Product Specifications:

Pitch (mm max.)	2.5	
Contact Size (mm)	φ0.7	
Mated Height (mm max.)	8.4	
Width formula (mm)	Single row: 1.5+2.5*?pin	
Operating Temperature	-40 - 125°C	
Vibration Resistance	6G	
Current Rating	3A per pin	
Voltage Rating	250V	
Withstand Voltage	AC 1000V/minute	
Plating	Sn	
Housing	PBT GF15	
Pin counts	Range	Up to 10
	Available	2, 4, 7

Applicable Cable Size:

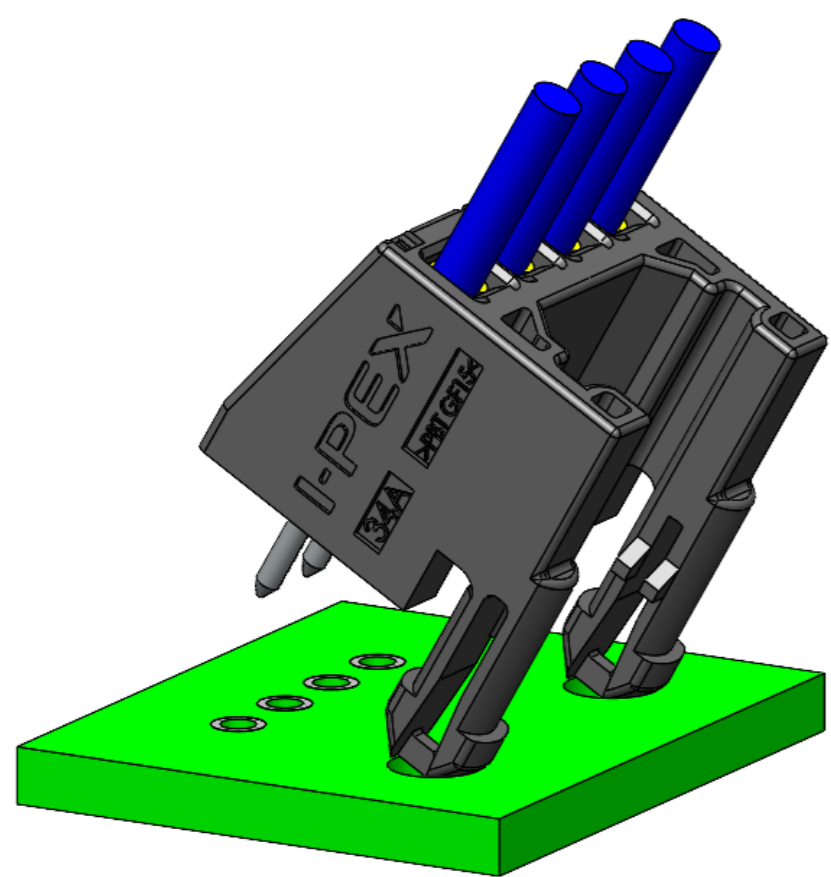
AWG#22 *Insulation Diameter 1.67 mm max.

*記載のない極数の対応状況についてはお問い合わせください。

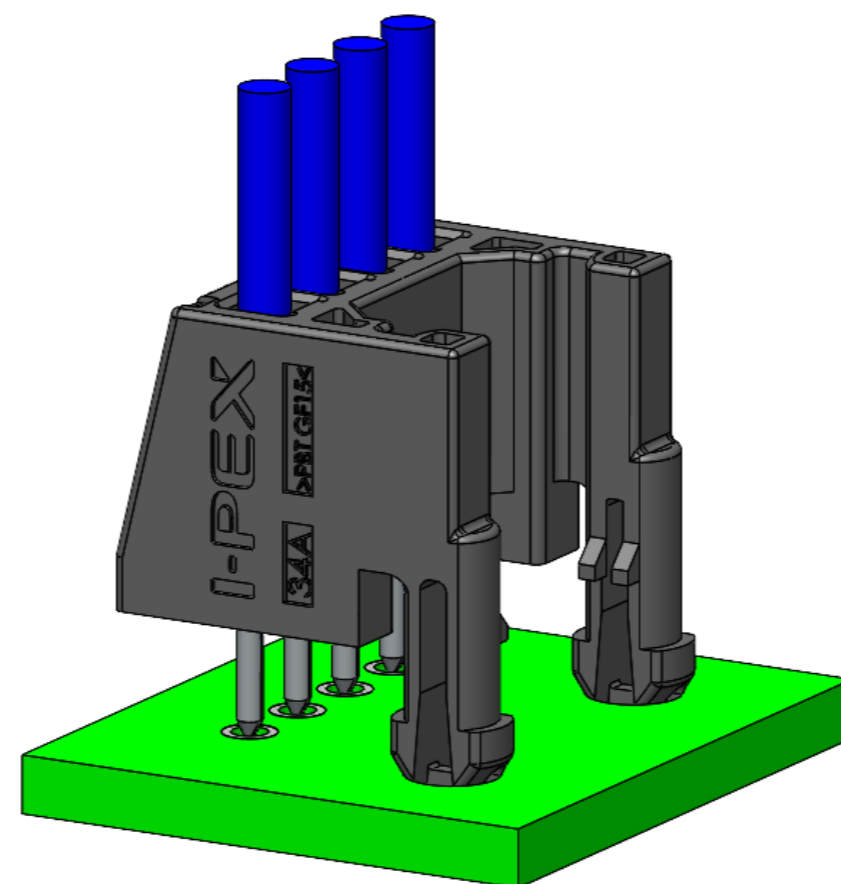


▶ ボス付ハウジングが端子をPCBスルーホールへ確実に誘導する構造

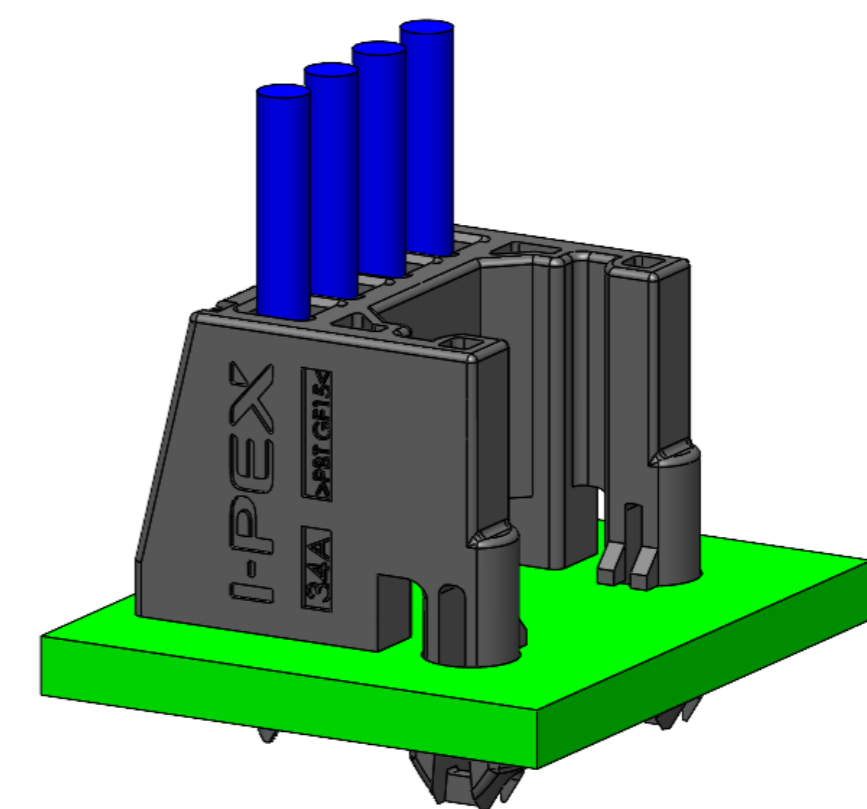
1. ボスでコネクタを位置決め



2. 端子をPCBスルーホールに誘導



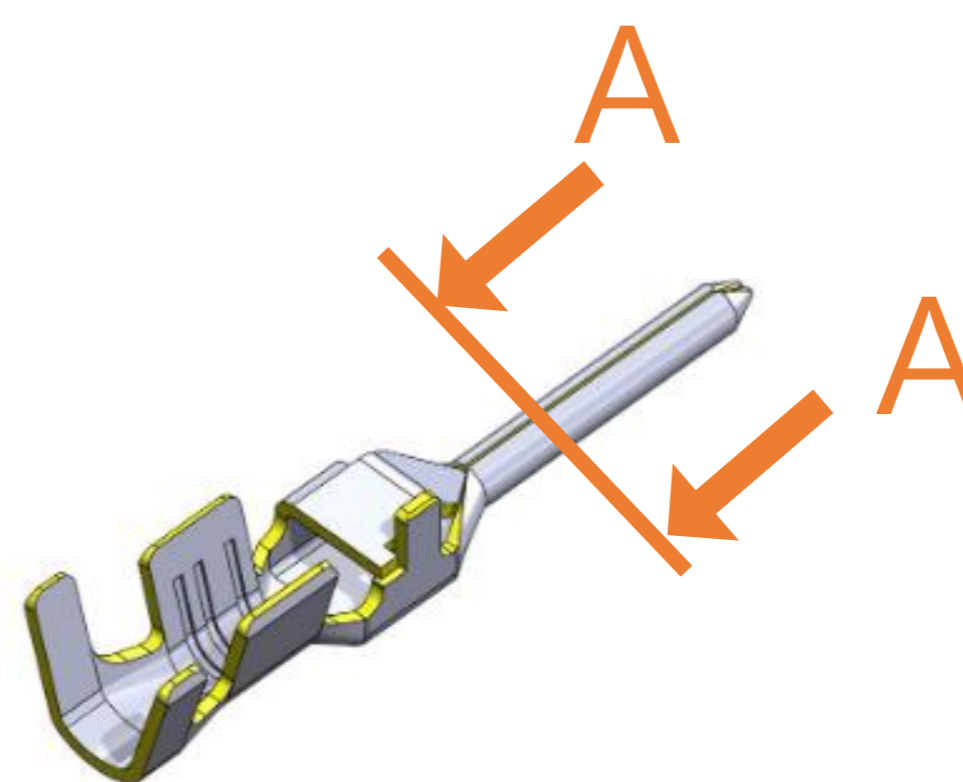
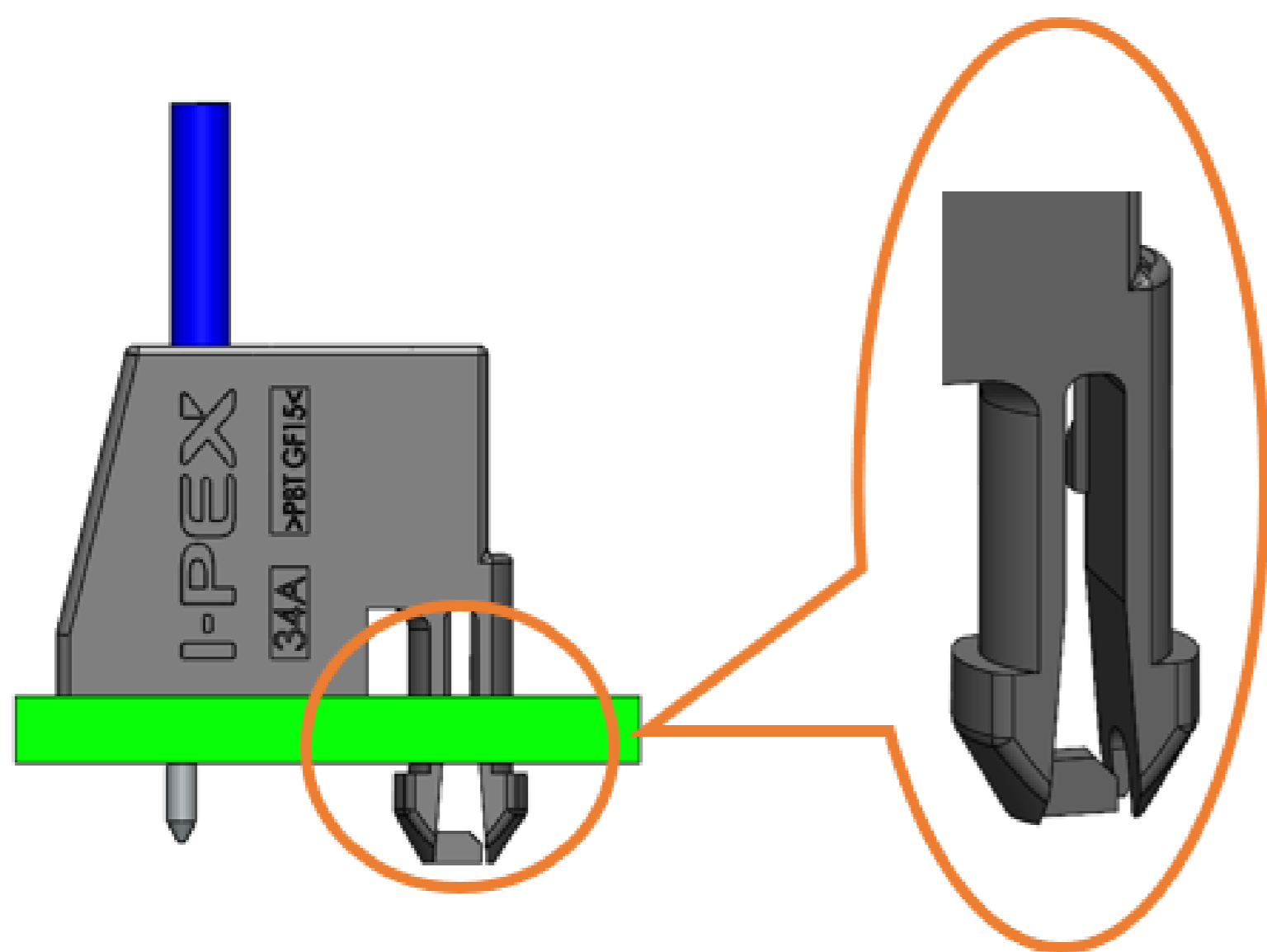
3. コネクタをPCBに挿入



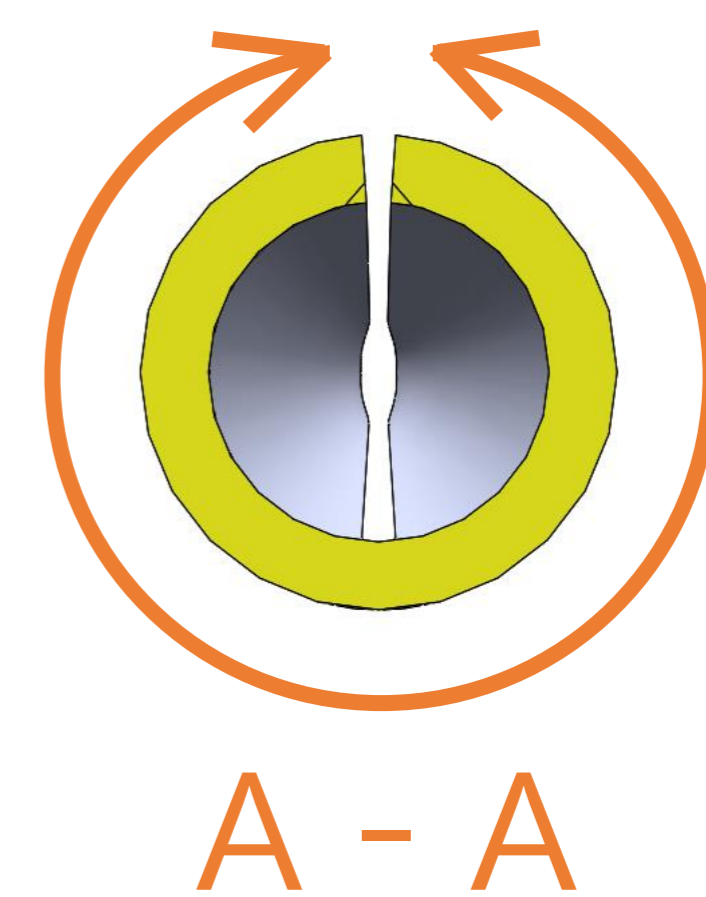
▶ 高い接続信頼性を確保

ボス付きハウジングにより
高い耐振動性を確保

半田付け部の全周がSnメッキとなる構造良好な
半田濡れ性を確保することにより接続信頼性を向上

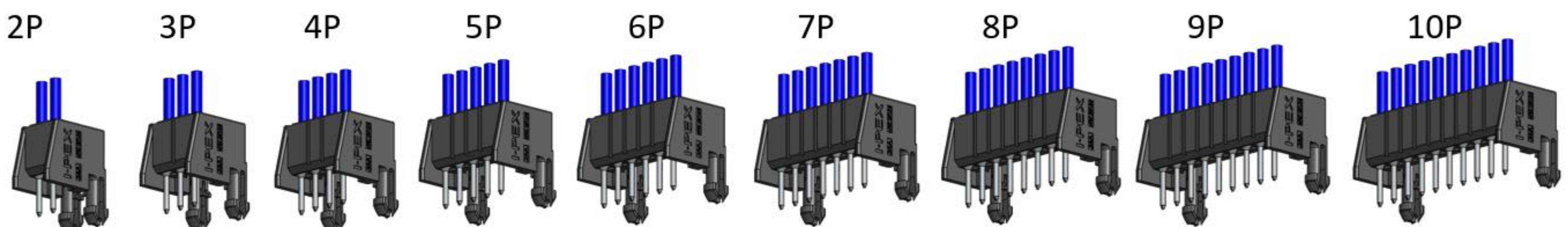


全周Snメッキ



▶ 水平、垂直の豊富なバリエーションで設計自由度が向上

垂直タイプ

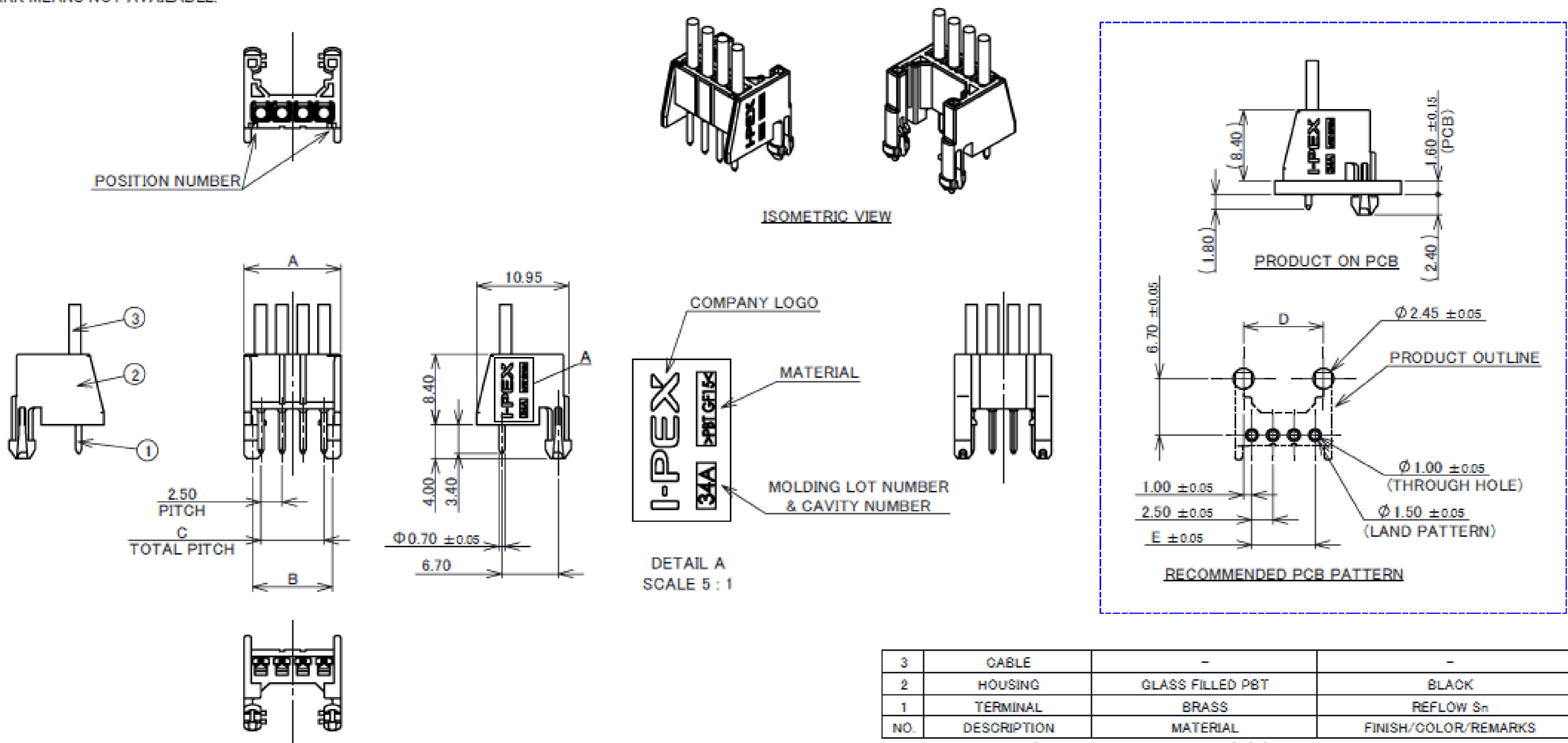


Component Parts Details

IARPB® (Vertical Type) CONNECTOR ASS'Y:

VARIATIONS	ASSY PART NO.	HOUSING PART NO.	TERMINAL PART NO.	A	B	C	D	E
2P	V0145-002A-01	V0145-91002-01	V0145-71001-01	8.5	4.5	2.5	4.5	2.5
◆3P	V0145-003A-01	V0145-91003-01		9.0	7.0	5.0	7.0	5.0
4P	V0145-004A-01	V0145-91004-01		11.5	9.5	7.5	9.5	7.5
◆5P	V0145-005A-01	V0145-91005-01		14.0	12.0	10.0	12.0	10.0
◆8P	V0145-008A-01	V0145-91008-01		18.5	14.5	12.5	14.5	12.5
7P	V0145-007A-01	V0145-91007-01		19.0	17.0	15.0	17.0	15.0
◆8P	V0145-008A-01	V0145-91008-01		21.5	19.5	17.5	19.5	17.5
◆9P	V0145-009A-01	V0145-91009-01		24.0	22.0	20.0	22.0	20.0
◆10P	V0145-010A-01	V0145-91010-01		28.5	24.5	22.5	24.5	22.5

◆MARK MEANS NOT AVAILABLE.



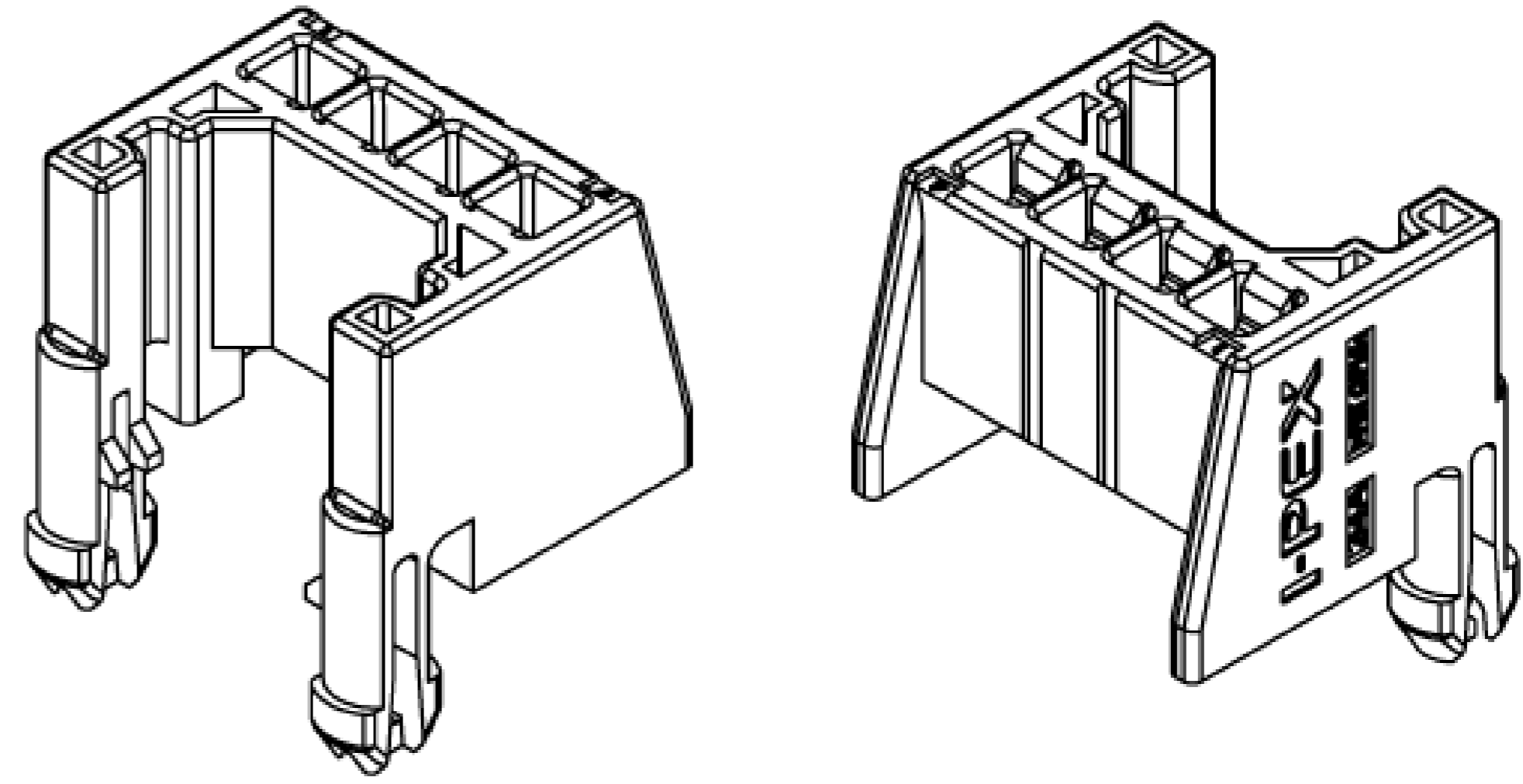
3	CABLE	-	-
2	HOUSING	GLASS FILLED PBT	BLACK
1	TERMINAL	BRASS	REFLOW Sn
NO.	DESCRIPTION	MATERIAL	FINISH/COLOR/REMARKS

- NOTE
1. CABLE SIZE: 0.3 mm² (FINISHED $\Phi 1.67$ mm MAX.)
 2. COMPLY WITH ELV/RoHS
 3. PRODUCT SPECIFICATION NO.: PSS-0041
 4. HANDLING MANUAL NO.: HDM-0035

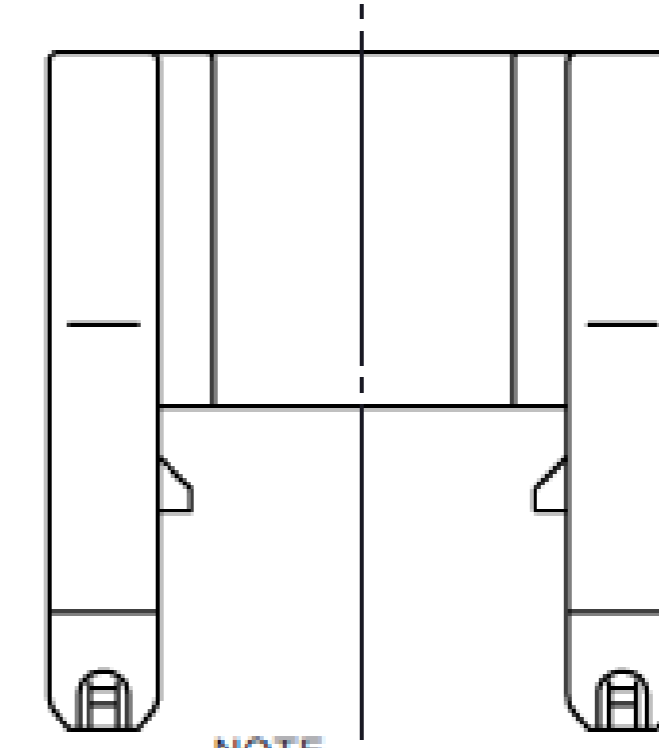
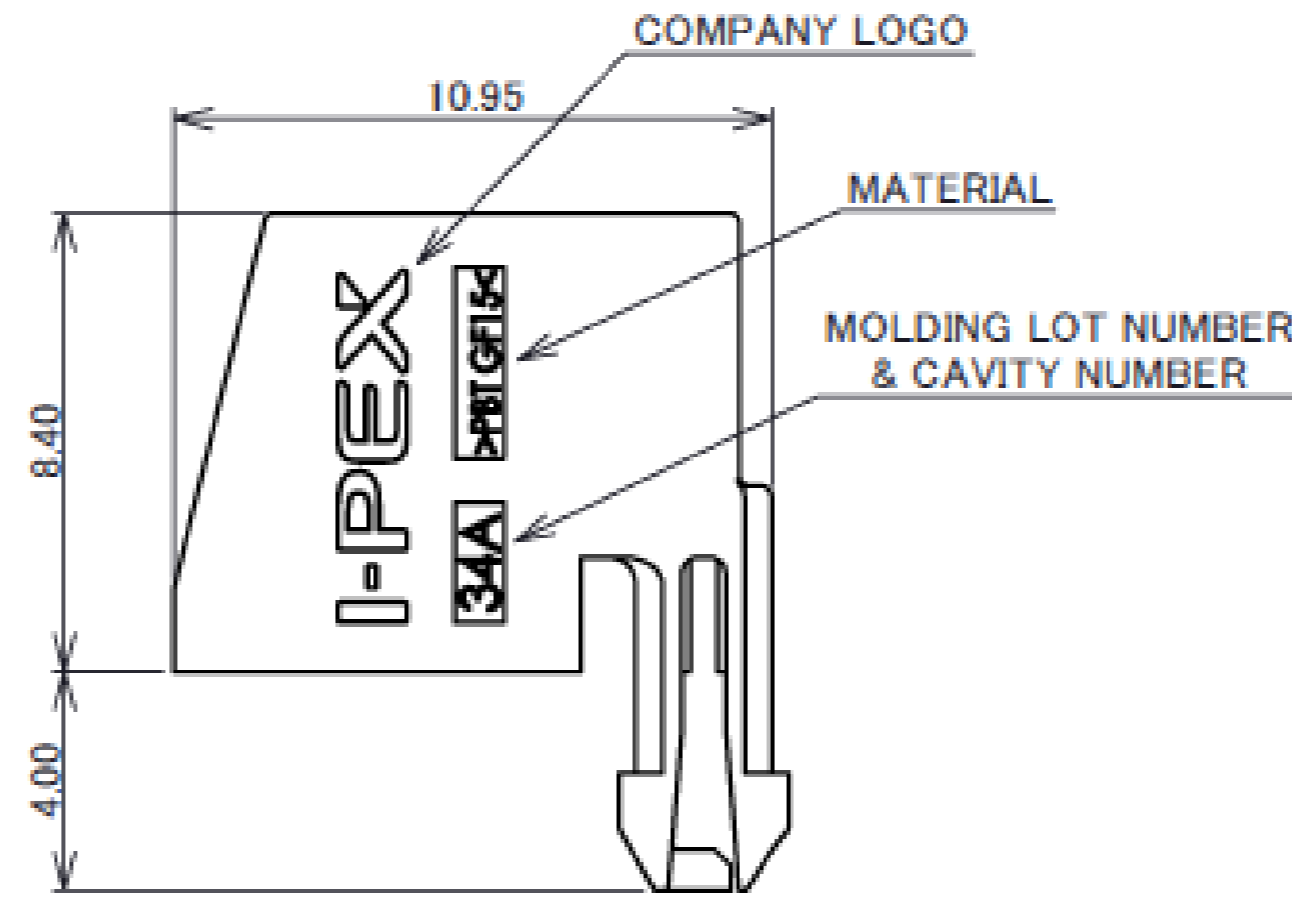
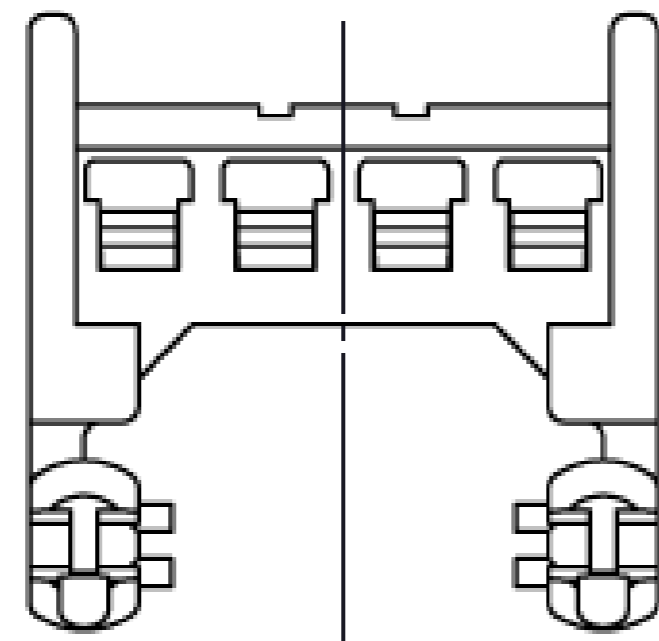
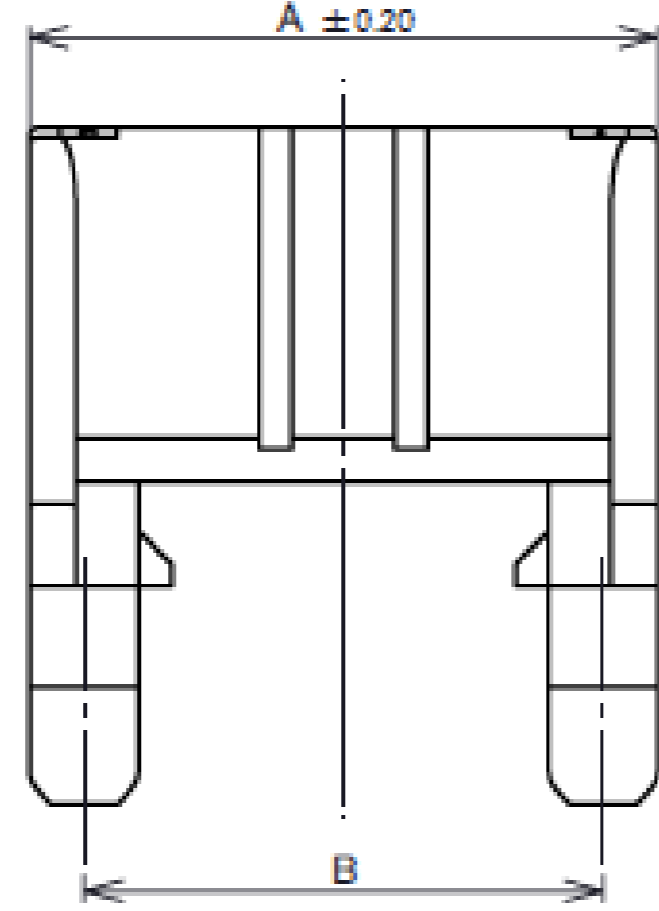
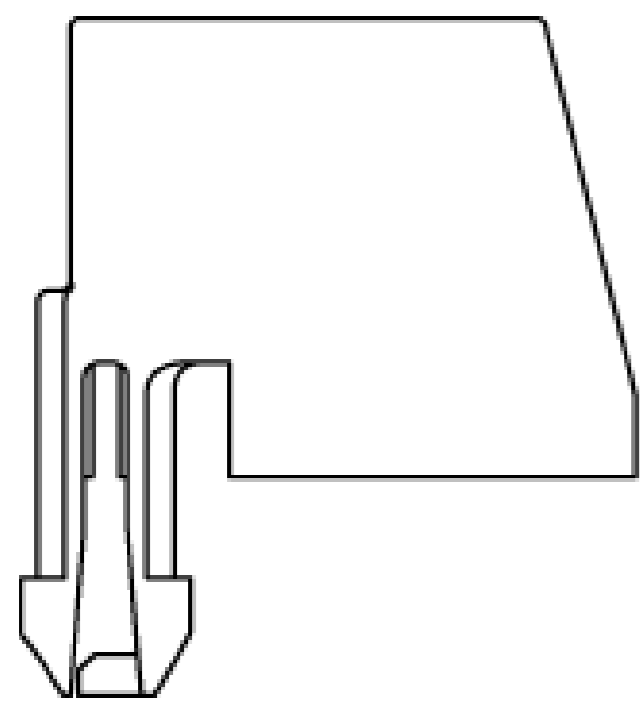
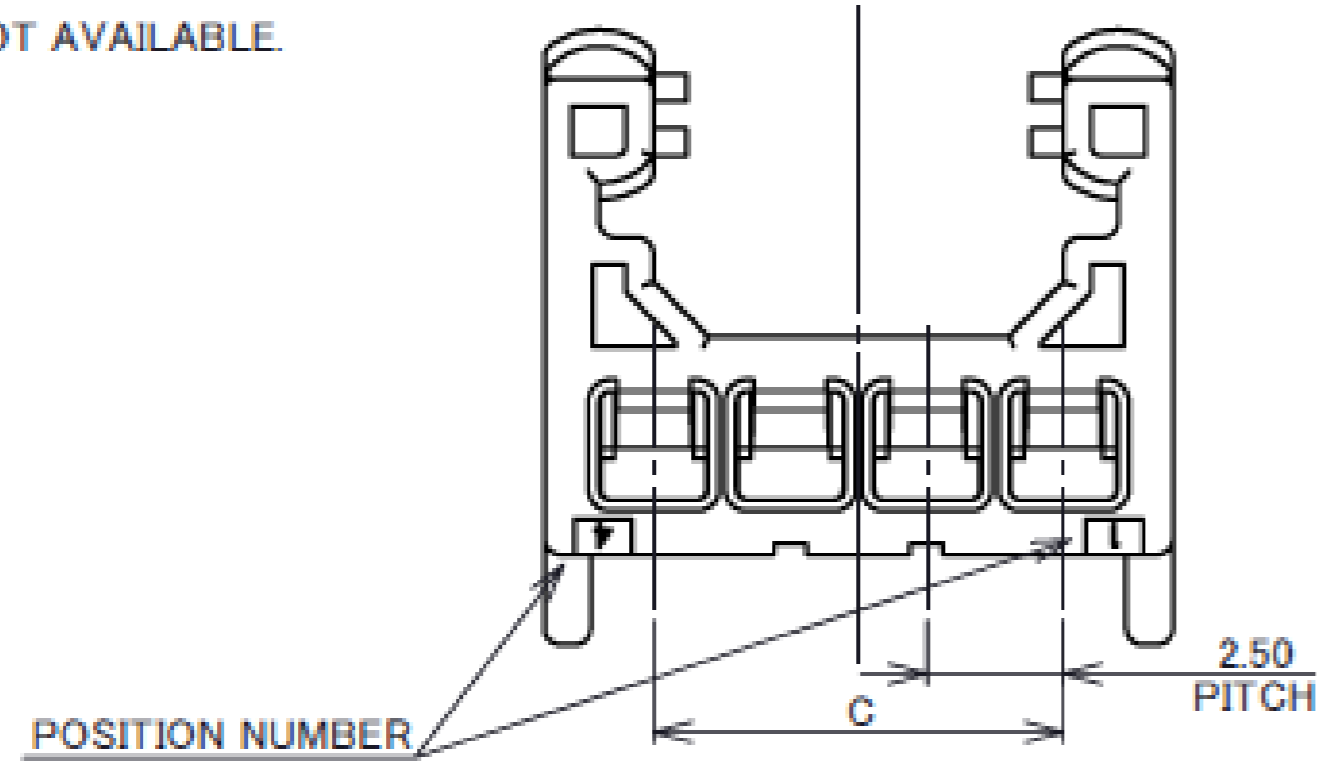
IARPB® (Vertical Type) CONNECTOR HOUSING :

VARIATIONS	PART NO.	A	B	C
2P	V0145-91002-01	8.5	4.5	2.5
◆3P	V0145-91003-01	9.0	7.0	5.0
4P	V0145-91004-01	11.5	9.5	7.5
◆5P	V0145-91005-01	14.0	12.0	10.0
◆6P	V0145-91008-01	18.5	14.5	12.5
7P	V0145-91007-01	19.0	17.0	15.0
◆8P	V0145-91008-01	21.5	19.5	17.5
◆9P	V0145-91009-01	24.0	22.0	20.0
◆10P	V0145-91010-01	28.5	24.5	22.5

◆MARK MEANS NOT AVAILABLE.



ISOMETRIC VIEW



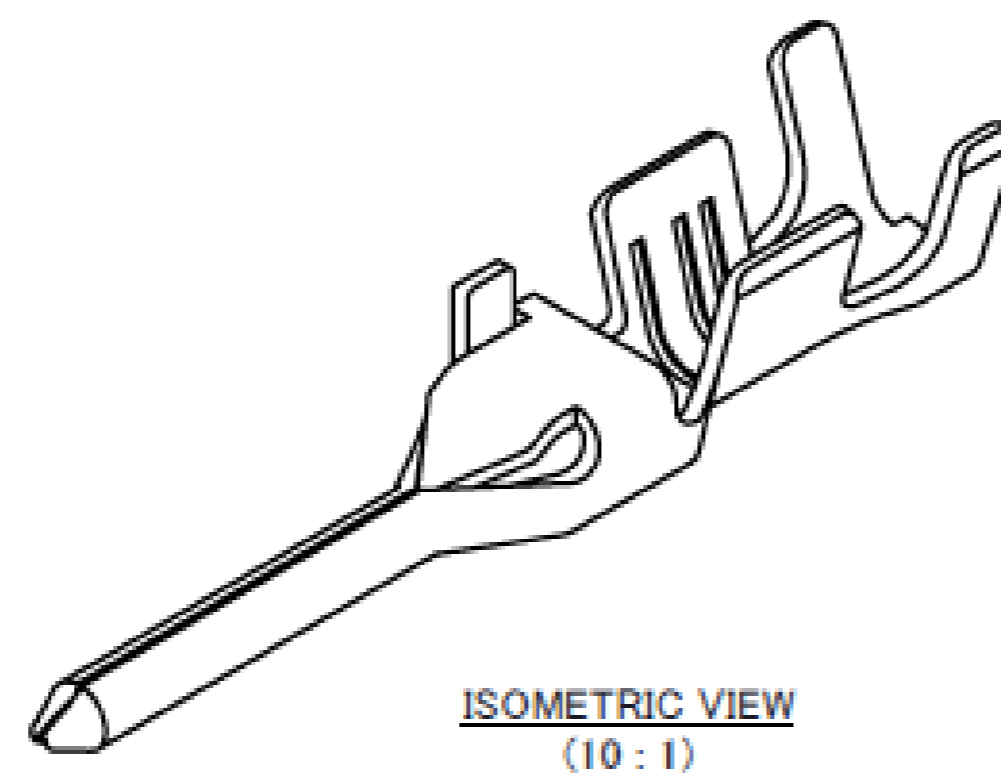
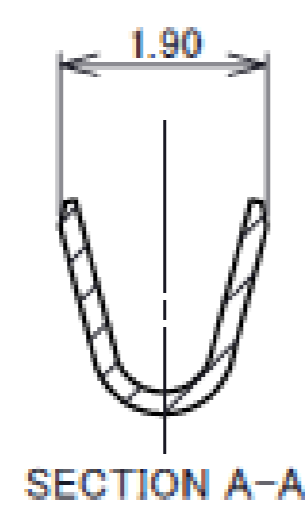
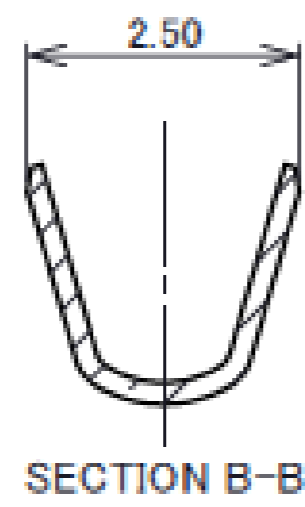
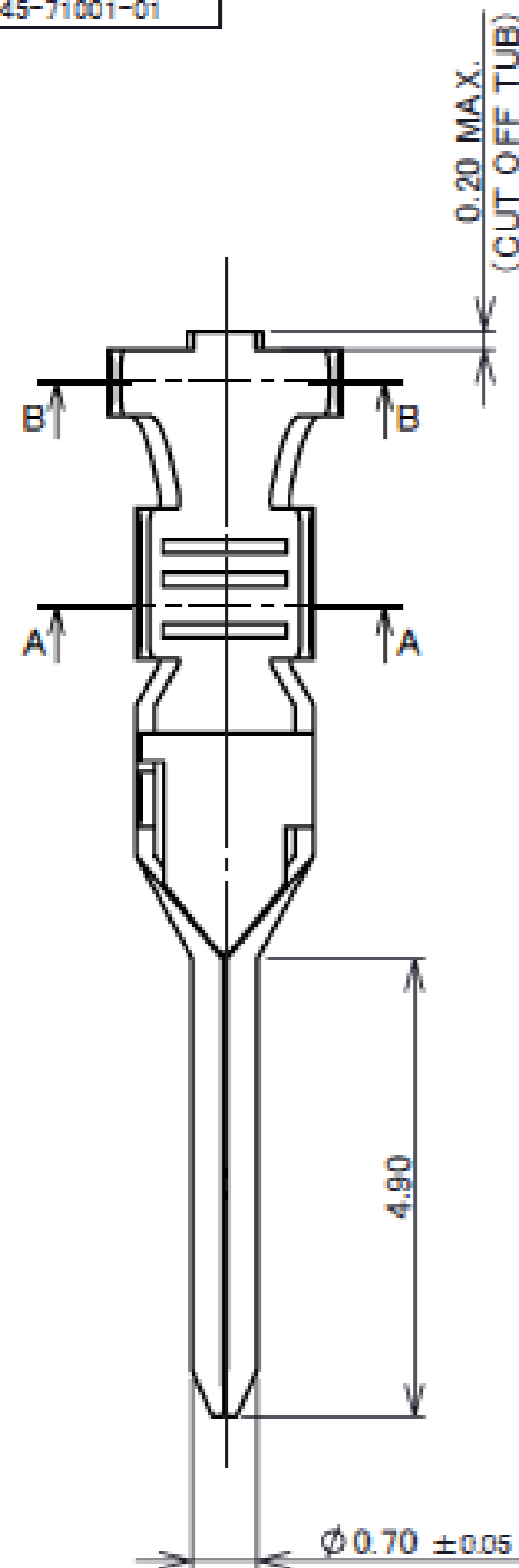
- NOTE
1. TERMINAL P/N: V0145-71001-01
 2. COMPLY WITH ELV/RoHS
 3. PRODUCT SPECIFICATION NO.: PSS-0041
 4. HANDLING MANUAL NO.: HDM-0035

NO.	DESCRIPTION	MATERIAL	FINISH/COLOR/REMARKS
1	HOUSING	GLASS FILLED PBT	BLACK

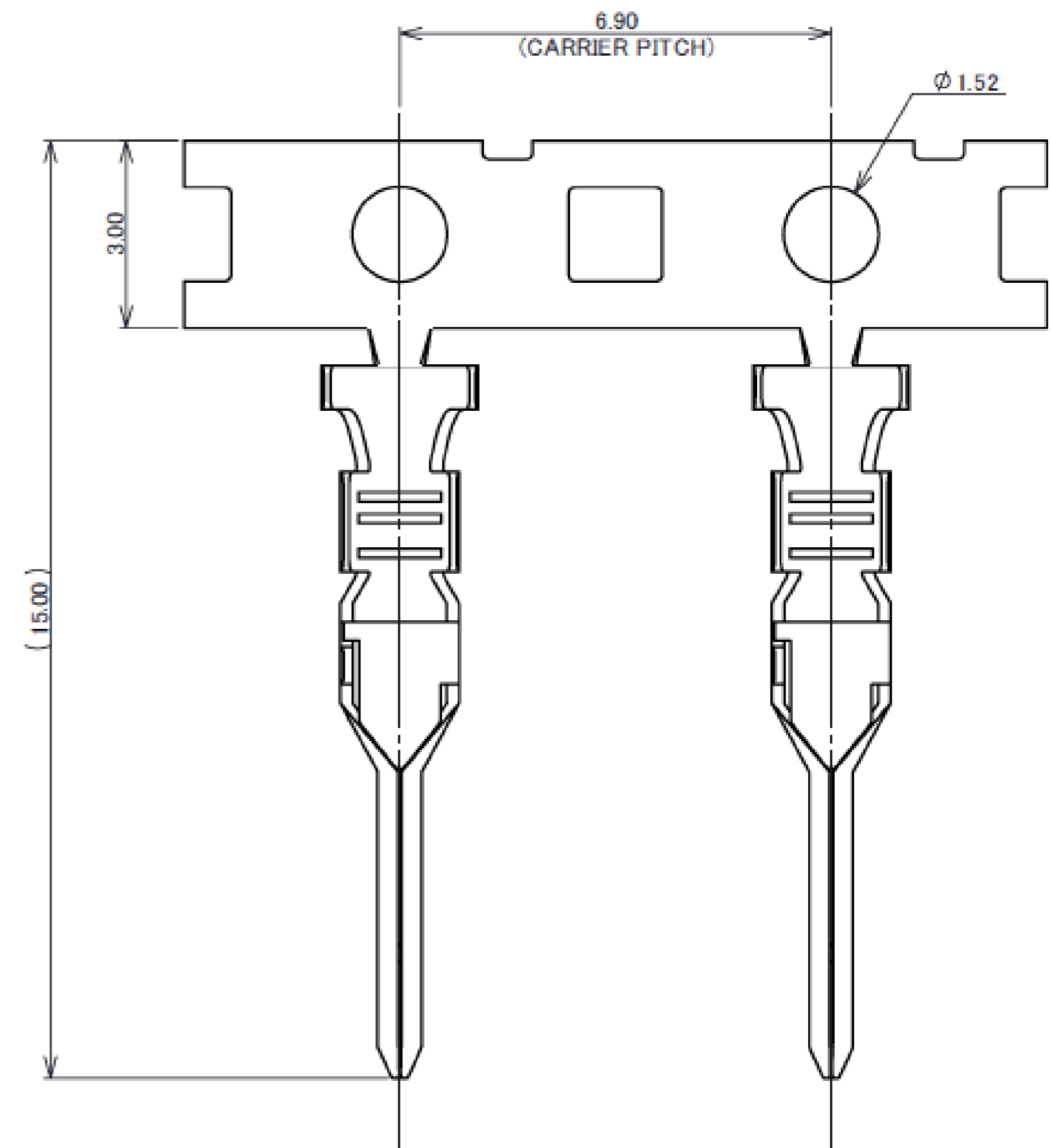
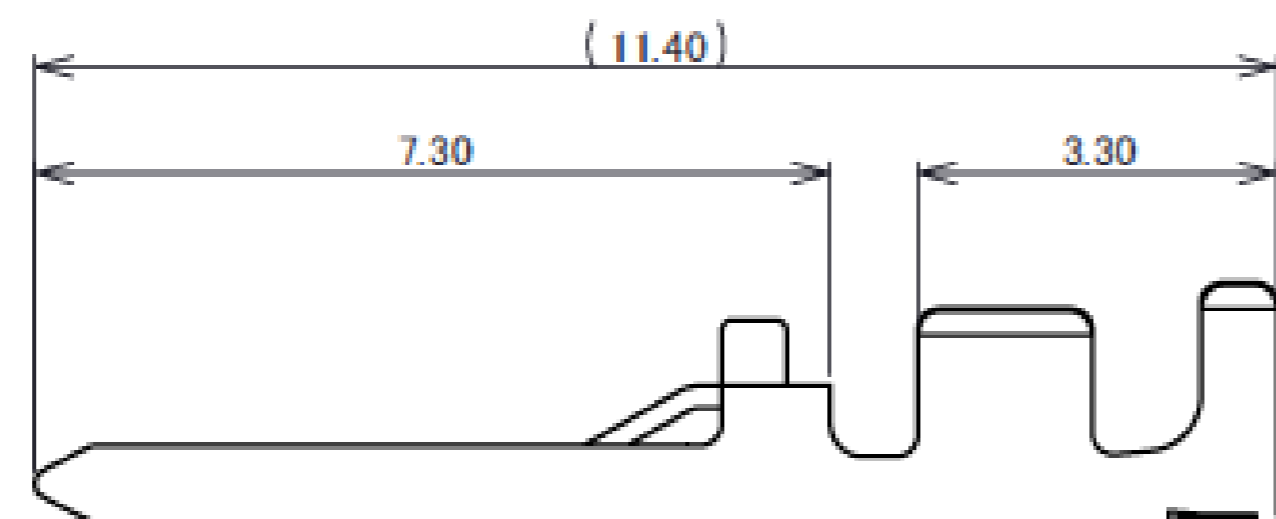
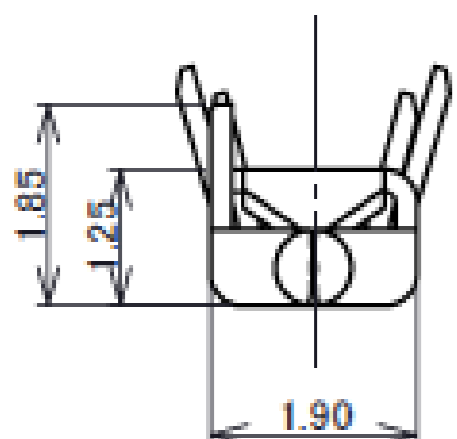
Rev.0

IARPB® (Vertical Type) CONNECTOR TERMINAL :

PART NO.
V0145-71001-01



ISOMETRIC VIEW (10:1)



CARRIER

NO.	DESCRIPTION	MATERIAL	FINISH/COLOR/REMARKS
1	TERMINAL	BRASS	REFLOW Sn

- NOTE
1. HOUSING P/N: V0145-9100N-01
 2. CABLE SIZE: 0.3 mm² (FINISHED Φ 1.67 mm MAX.)
 3. COMPLY WITH ELV/RoHS
 4. PRODUCT SPECIFICATION NO.: PSS-0041
 5. HANDLING MANUAL NO.: HDM-0035

Rev.0

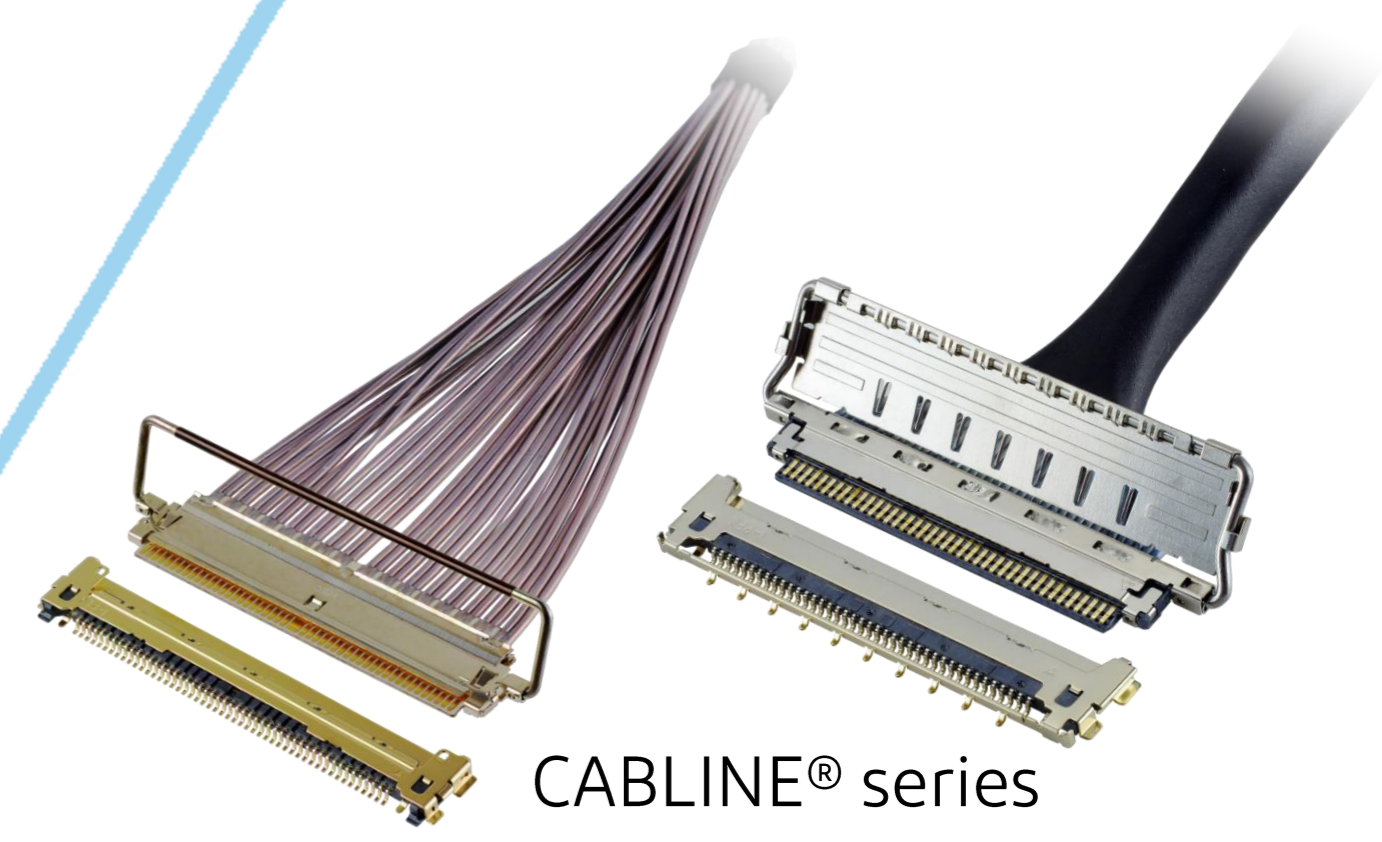
Custom Connectors Available

RF Connector

MHF® series



Micro-coaxial/Twinax/ Discrete Wire Connector



CABLINE® series

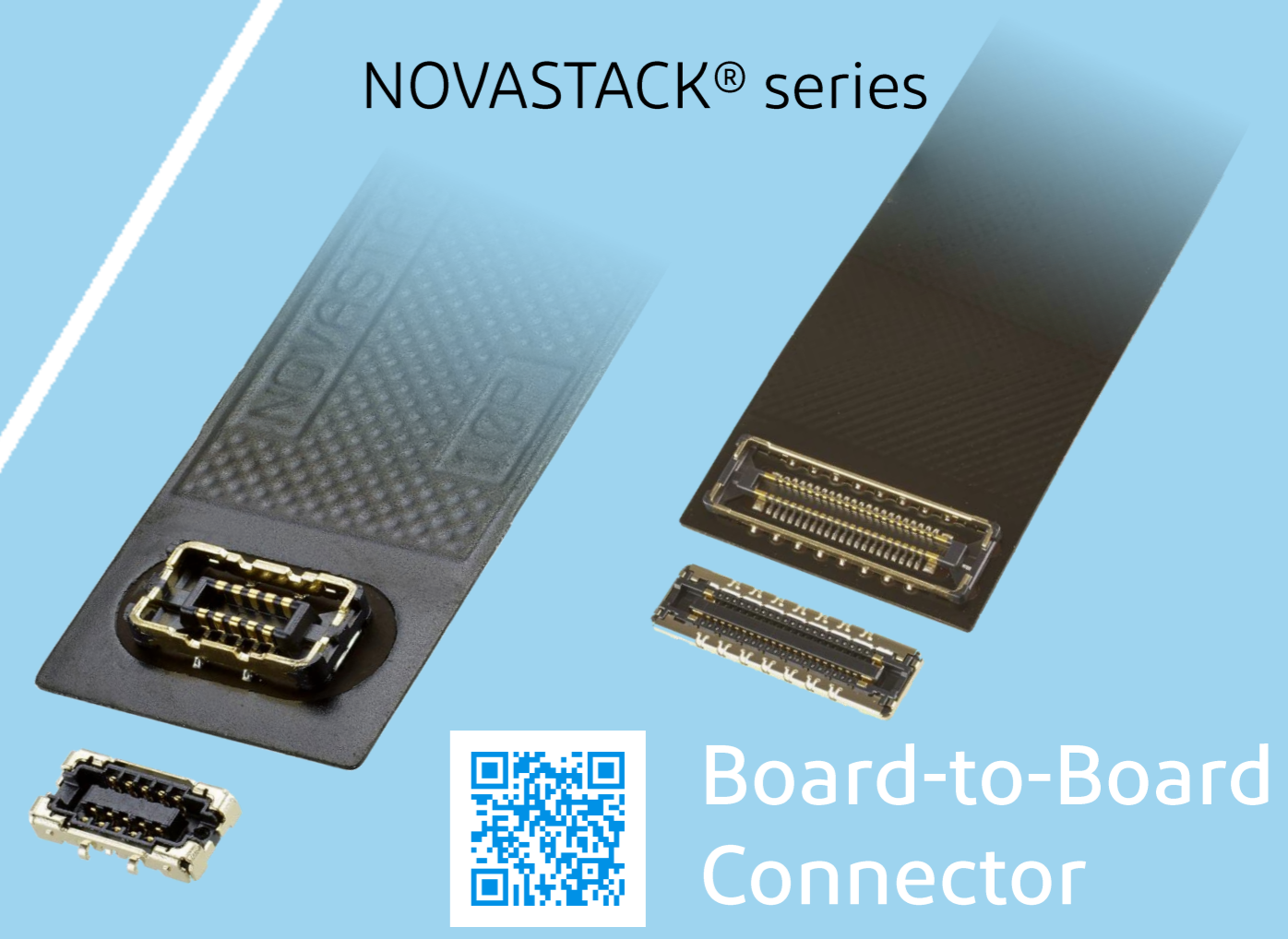


Optical Module

LIGHTPASS® series



NOVASTACK® series



Board-to-Board Connector



Power Connector/ Terminal

AP series

ISH® series



MINIFLEX® series

EVAFLEX® series



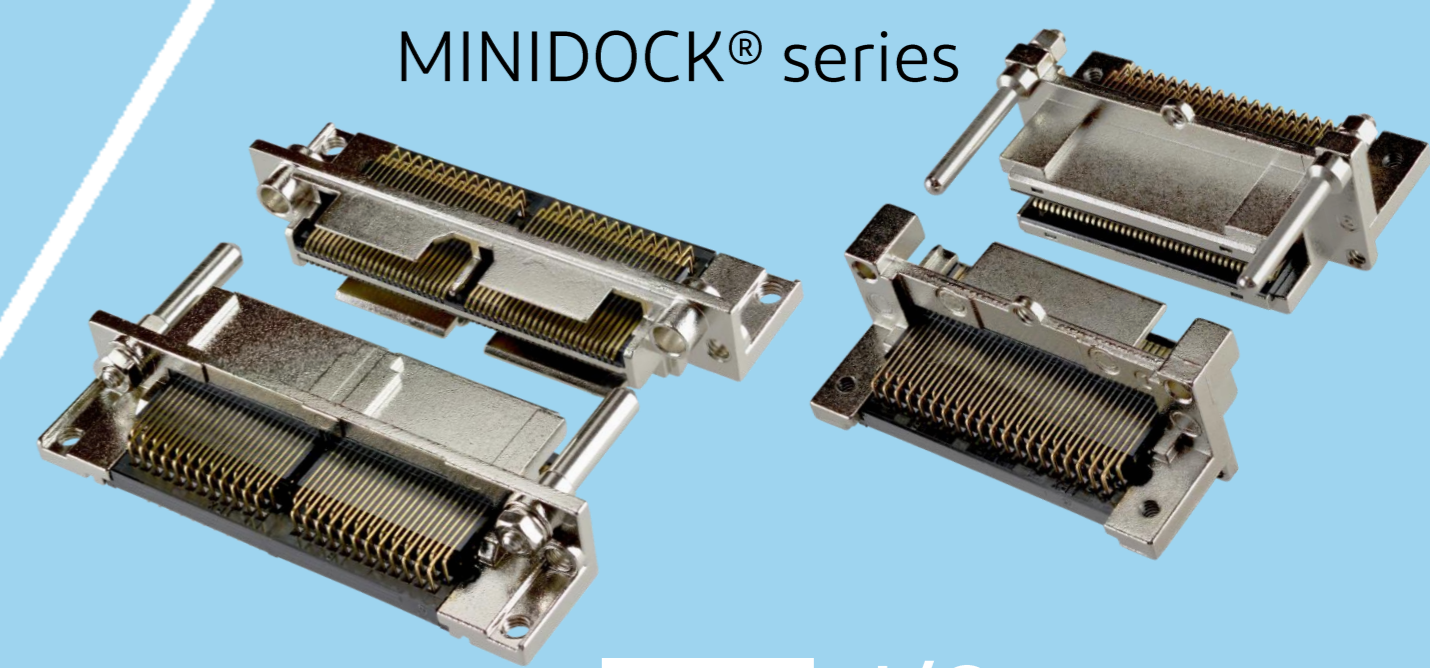
FPC FFC Connector



Inquiry



MINIDOCK® series



I/O Connector

I-PEX, MHF, CABLINE, LIGHTPASS, NOVASTACK, ISH, IARPB, MINIFLEX, EVAFLEX, MINIDOCKS and ZenShield are registered trademarks of I-PEX Inc. Please note that the contents in the catalog might be changed without prior notification. I-PEX Inc. assumes no responsibility for any inaccuracies or obligation to update information on these documents. Please be sure to read and understand the latest "Precautions for Use" and "Instruction Manual" before you use our products. We shall not be responsible for any defects, damages or troubles in case you use our products without following the precautions for use. Please feel free to contact our sales representatives when you use our products for any applications that require very high reliability and safety, or that relate to human life (ex. nuclear power control, aerospace, transportation, medical equipment, safety equipment etc.).

Contact your sales representative or more detailed information.

www.i-pex.com



I-PEX

© I-PEX Inc. 2024
All rights reserved