

IARPB[®] (Vertical Type)

Vibration resistant, one-piece, wire-to-board connector

Product Specifications:

| | | |
|------------------------|--------------------------|----------|
| Pitch (mm max.) | 2.5 | |
| Contact Size (mm) | φ0.7 | |
| Mated Height (mm max.) | 8.4 | |
| Width formula (mm) | Single row: 1.5+2.5*?pin | |
| Operating Temperature | -40 - 125°C | |
| Vibration Resistance | 6G | |
| Current Rating | 3A per pin | |
| Voltage Rating | 250V | |
| Withstand Voltage | AC 1000V/minute | |
| Plating | Sn | |
| Housing | PBT GF15 | |
| Pin counts | Range | Up to 10 |
| | Available | 2, 4, 7 |

Applicable Cable Size:

AWG#22 *Insulation Diameter 1.67 mm max.

*Please inquire for pin counts not listed or outside of the pin count range.

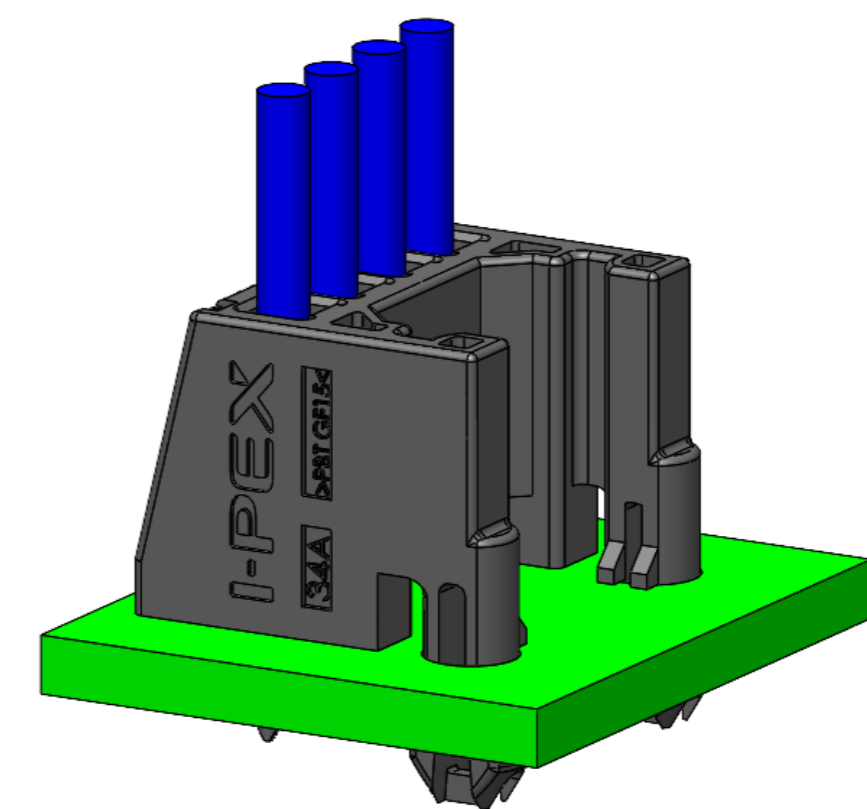
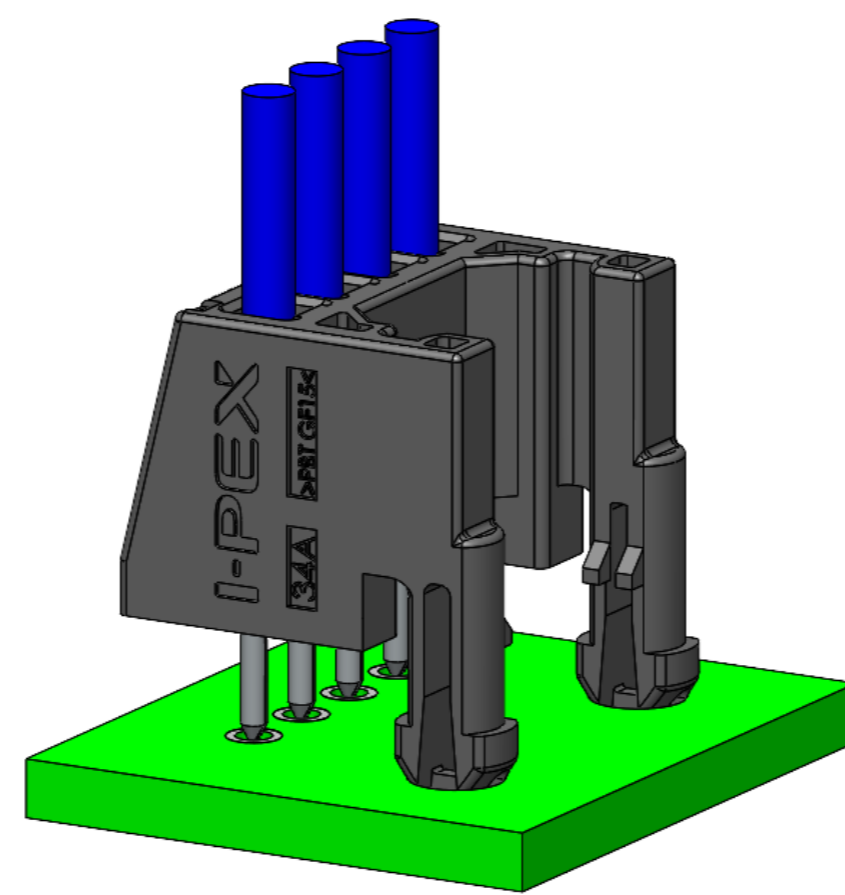
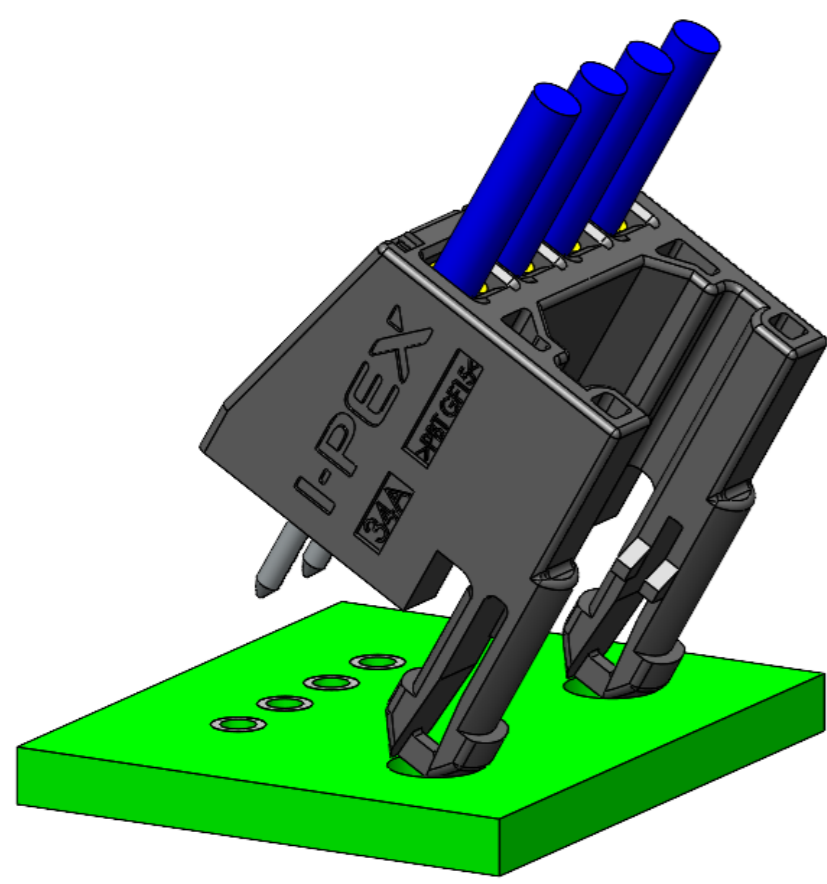


▶ The positioning boss on housing guides the terminal to the PCB through-hole

1. Mount position is determined by the positioning boss

2. Guiding the terminal to the PCB through hole

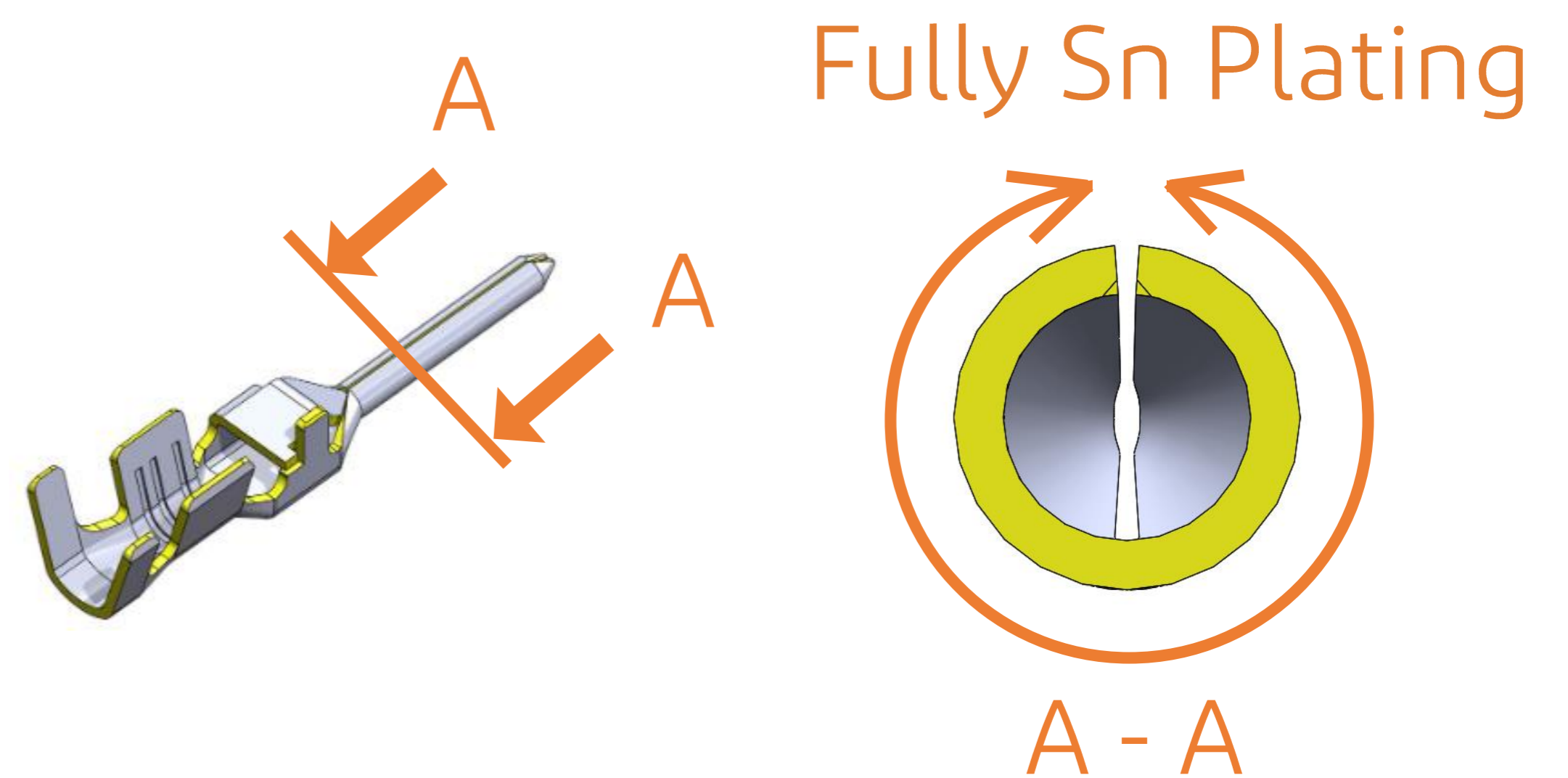
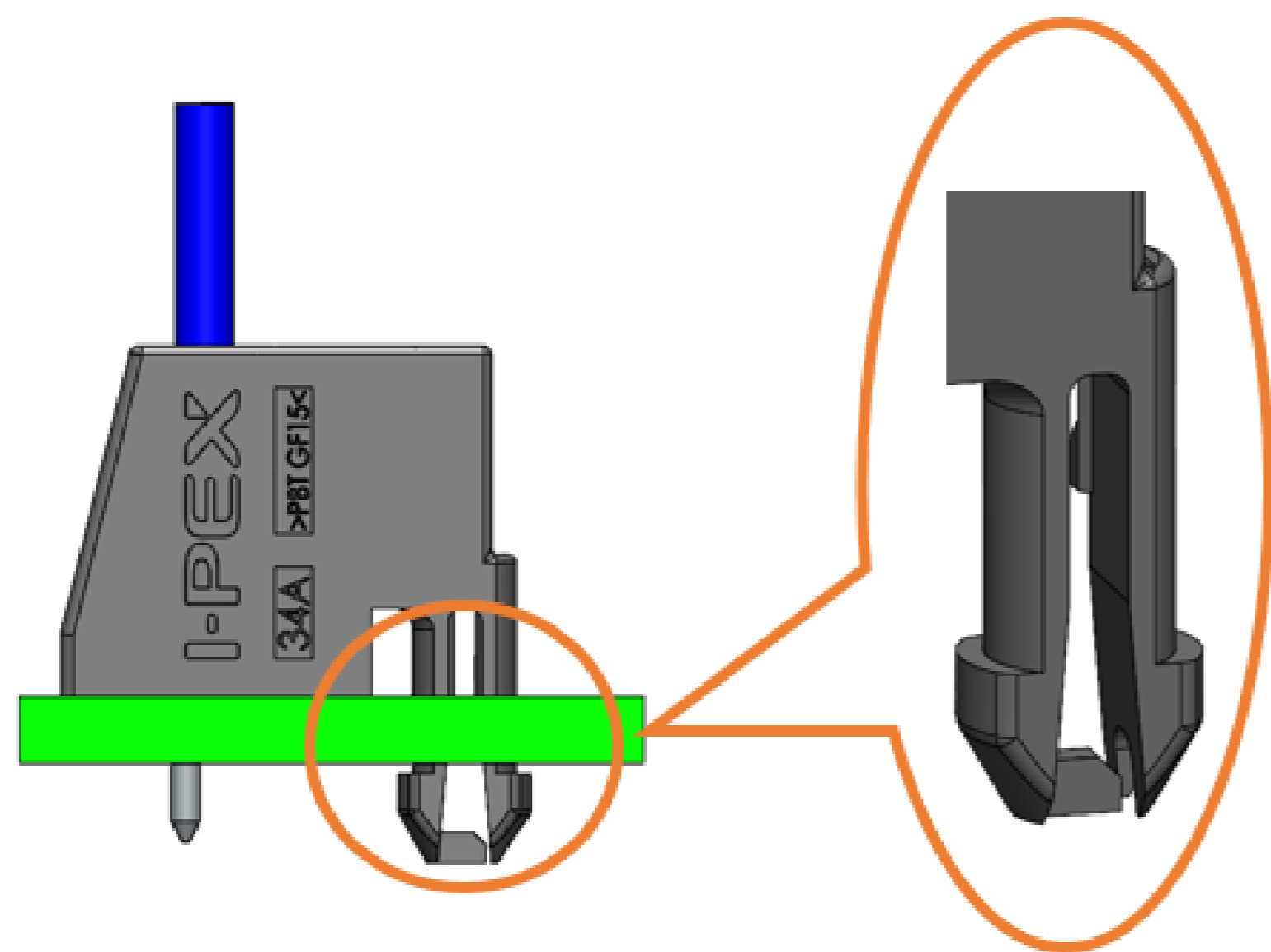
3. Inserting the connector into the PCB



▶ High Connection Reliability

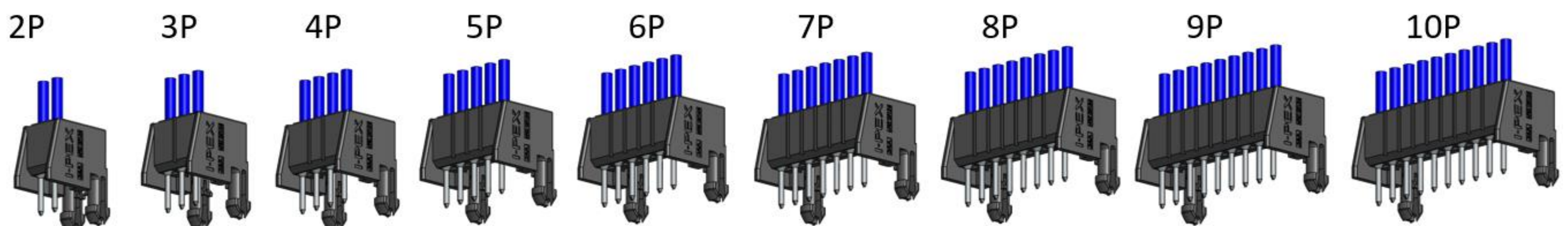
Positioning boss on housing enhances performance under vibration

Circumference is covered with Sn plating, allowing high solderability



▶ Increase design flexibility with wide range of horizontal and vertical variations

Vertical type

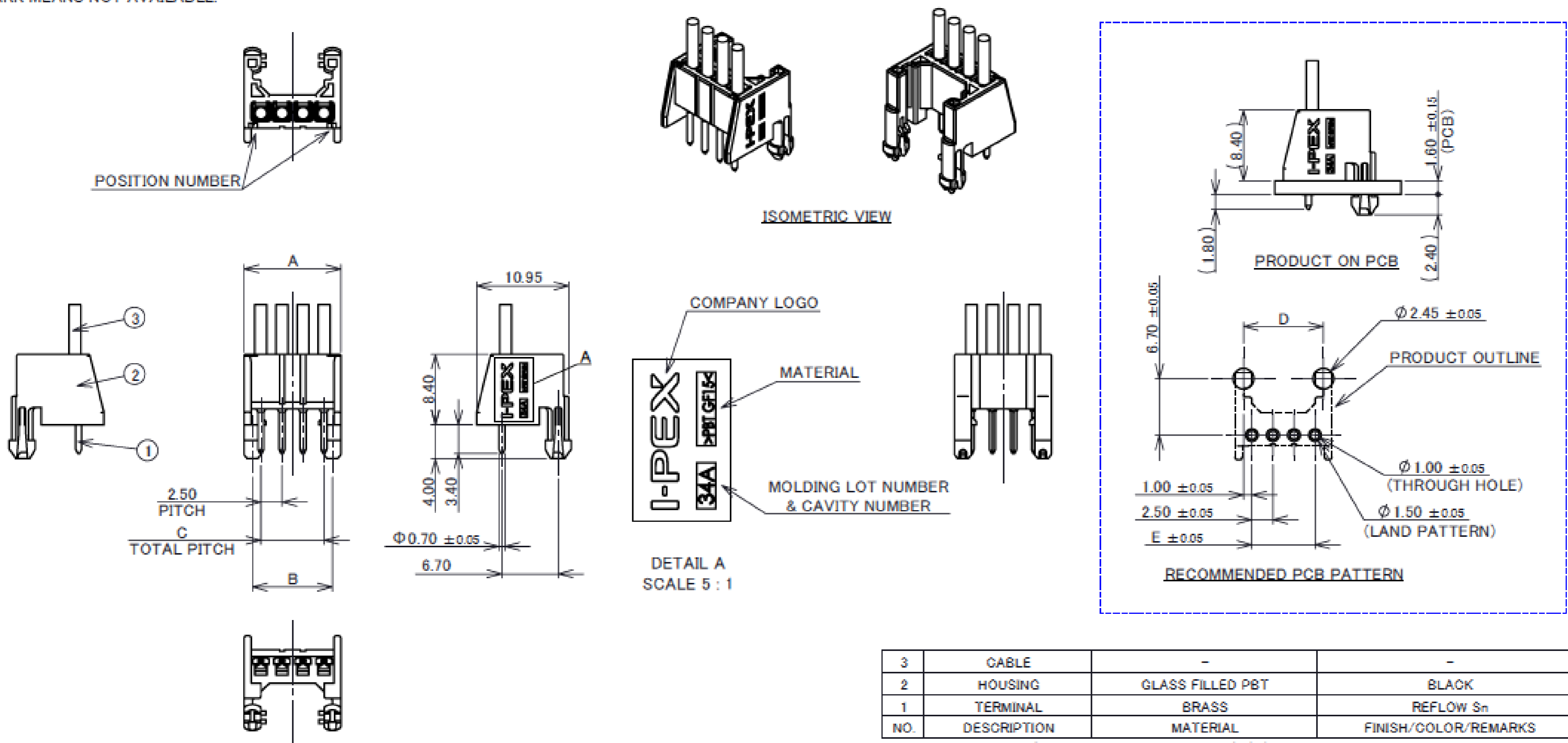


Component Parts Details

IARPB® (Vertical Type) CONNECTOR ASS'Y:

| VARIATIONS | ASSY PART NO. | HOUSING PART NO. | TERMINAL PART NO. | A | B | C | D | E |
|------------|---------------|------------------|-------------------|------|------|------|------|------|
| 2P | V0145-002A-01 | V0145-91002-01 | V0145-71001-01 | 8.5 | 4.5 | 2.5 | 4.5 | 2.5 |
| ◆3P | V0145-003A-01 | V0145-91003-01 | | 9.0 | 7.0 | 5.0 | 7.0 | 5.0 |
| 4P | V0145-004A-01 | V0145-91004-01 | | 11.5 | 9.5 | 7.5 | 9.5 | 7.5 |
| ◆5P | V0145-005A-01 | V0145-91005-01 | | 14.0 | 12.0 | 10.0 | 12.0 | 10.0 |
| ◆8P | V0145-008A-01 | V0145-91008-01 | | 18.5 | 14.5 | 12.5 | 14.5 | 12.5 |
| 7P | V0145-007A-01 | V0145-91007-01 | | 19.0 | 17.0 | 15.0 | 17.0 | 15.0 |
| ◆8P | V0145-008A-01 | V0145-91008-01 | | 21.5 | 19.5 | 17.5 | 19.5 | 17.5 |
| ◆9P | V0145-009A-01 | V0145-91009-01 | | 24.0 | 22.0 | 20.0 | 22.0 | 20.0 |
| ◆10P | V0145-010A-01 | V0145-91010-01 | | 28.5 | 24.5 | 22.5 | 24.5 | 22.5 |

◆MARK MEANS NOT AVAILABLE.



| | | | |
|-----|-------------|------------------|----------------------|
| 3 | CABLE | - | - |
| 2 | HOUSING | GLASS FILLED PBT | BLACK |
| 1 | TERMINAL | BRASS | REFLOW Sn |
| NO. | DESCRIPTION | MATERIAL | FINISH/COLOR/REMARKS |

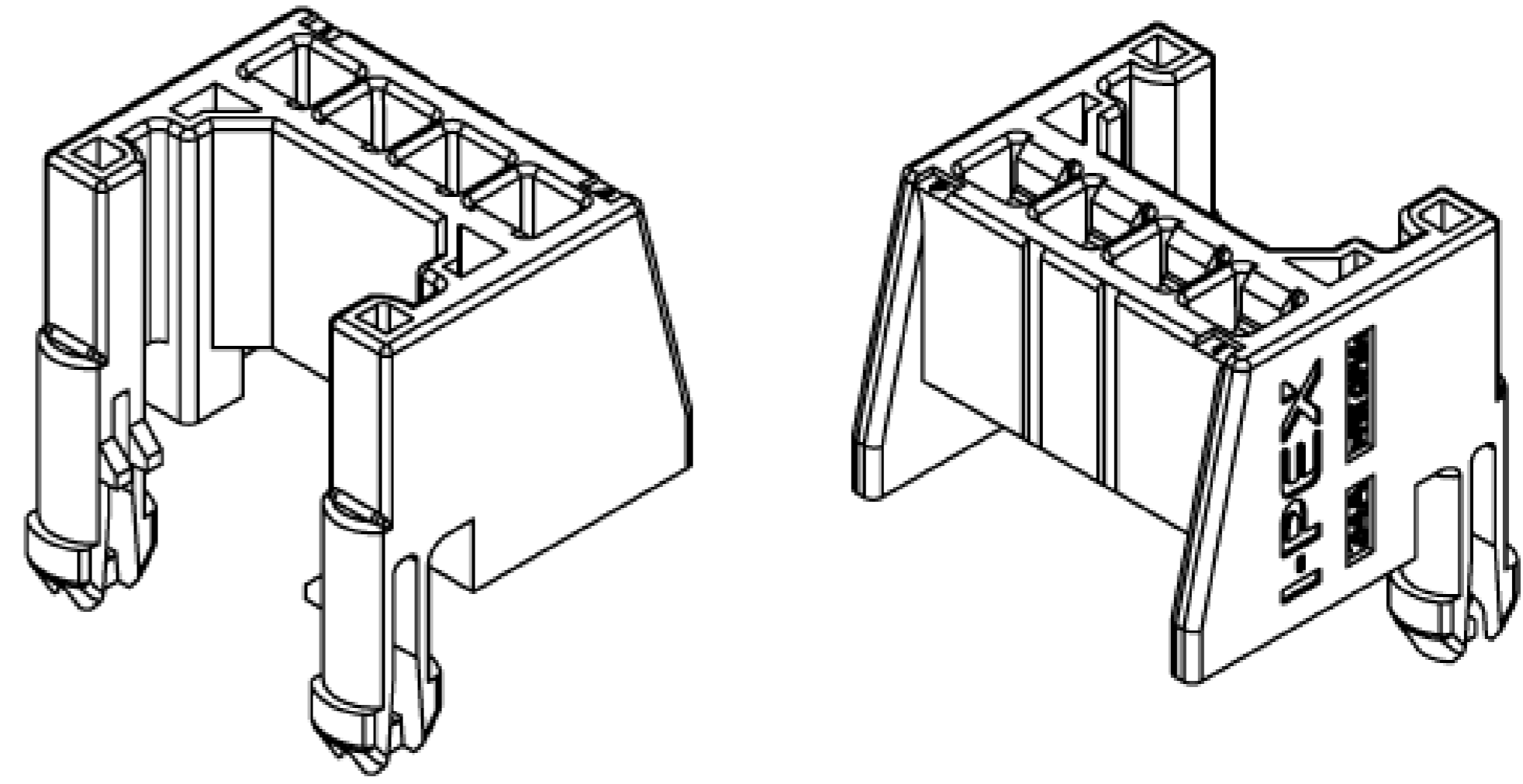
NOTE
 1. CABLE SIZE: 0.3 mm² (FINISHED $\Phi 1.67$ mm MAX.)
 2. COMPLY WITH ELV/RoHS
 3. PRODUCT SPECIFICATION NO.: PSS-0041
 4. HANDLING MANUAL NO.: HDM-0035

Rev.0

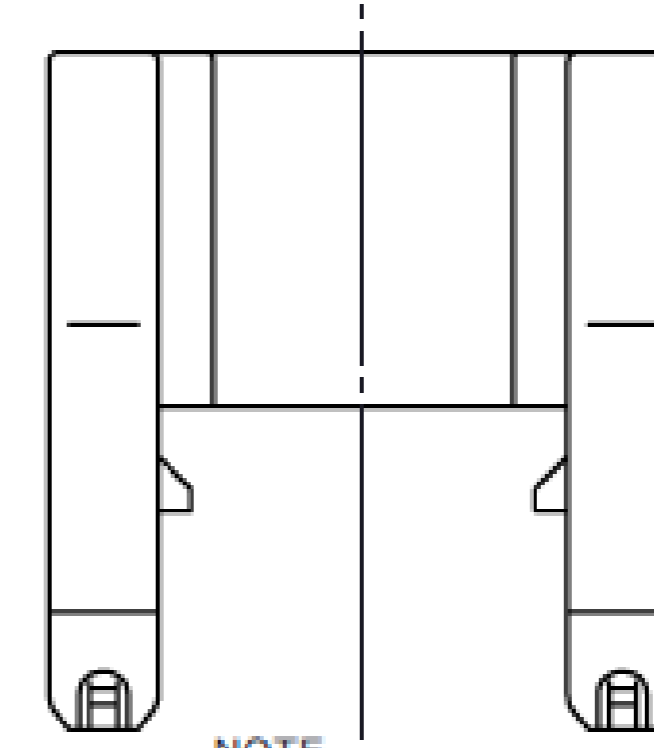
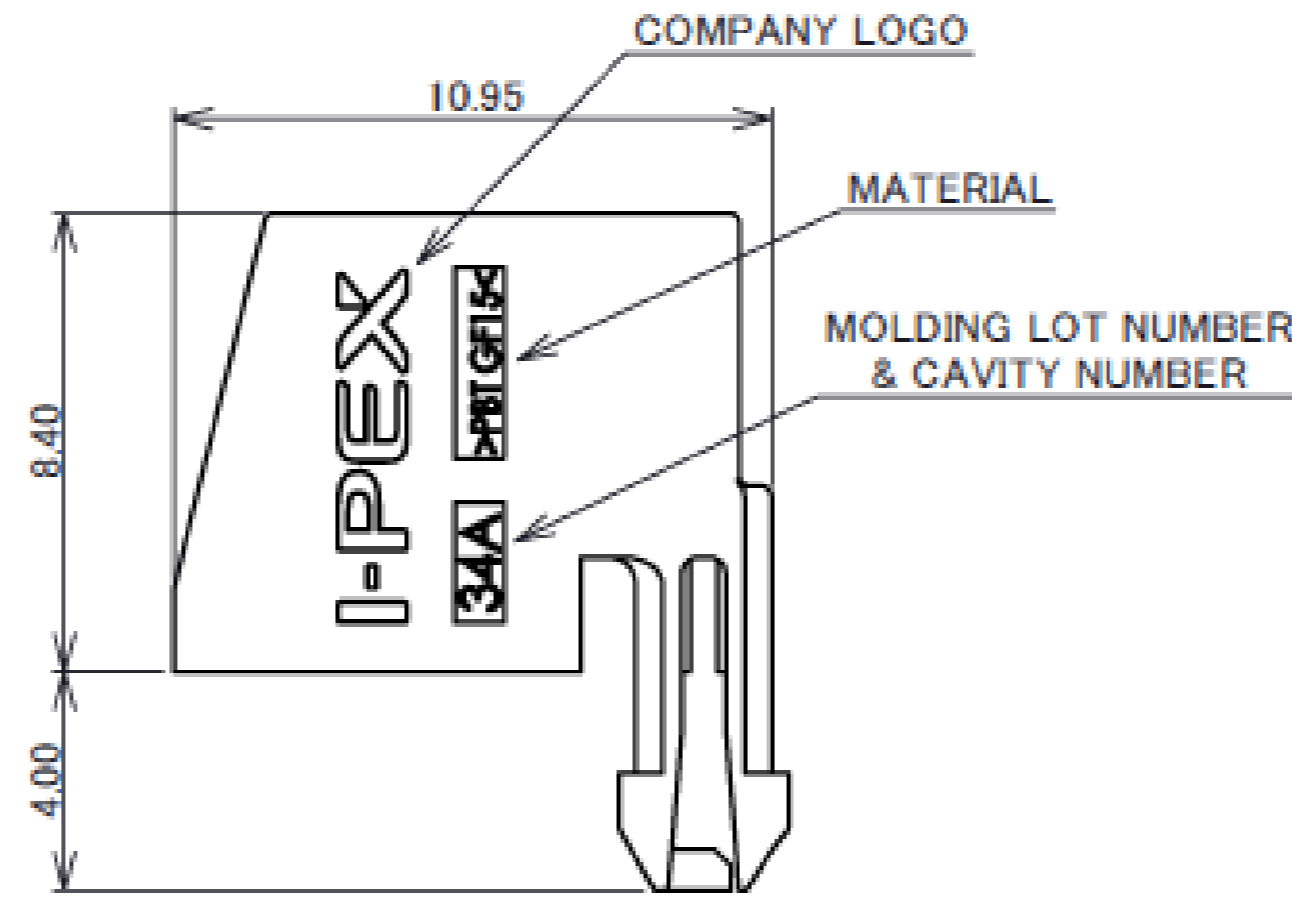
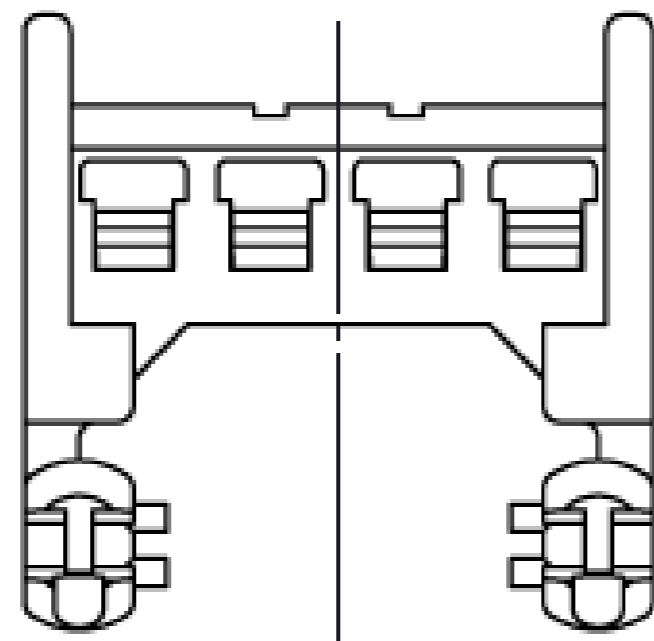
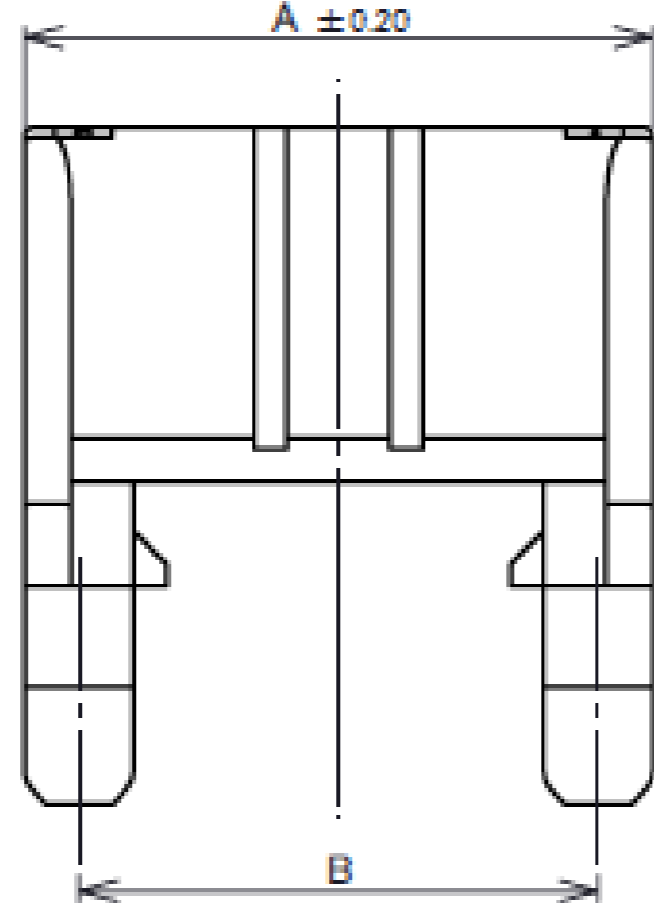
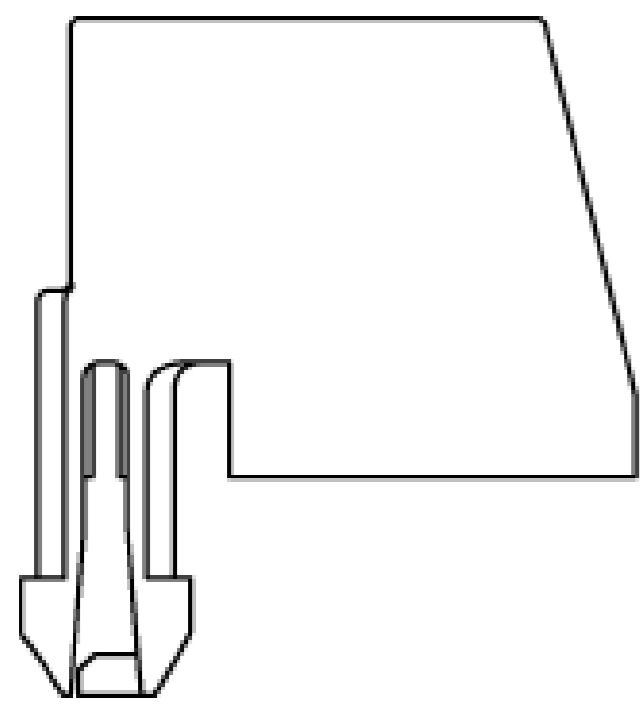
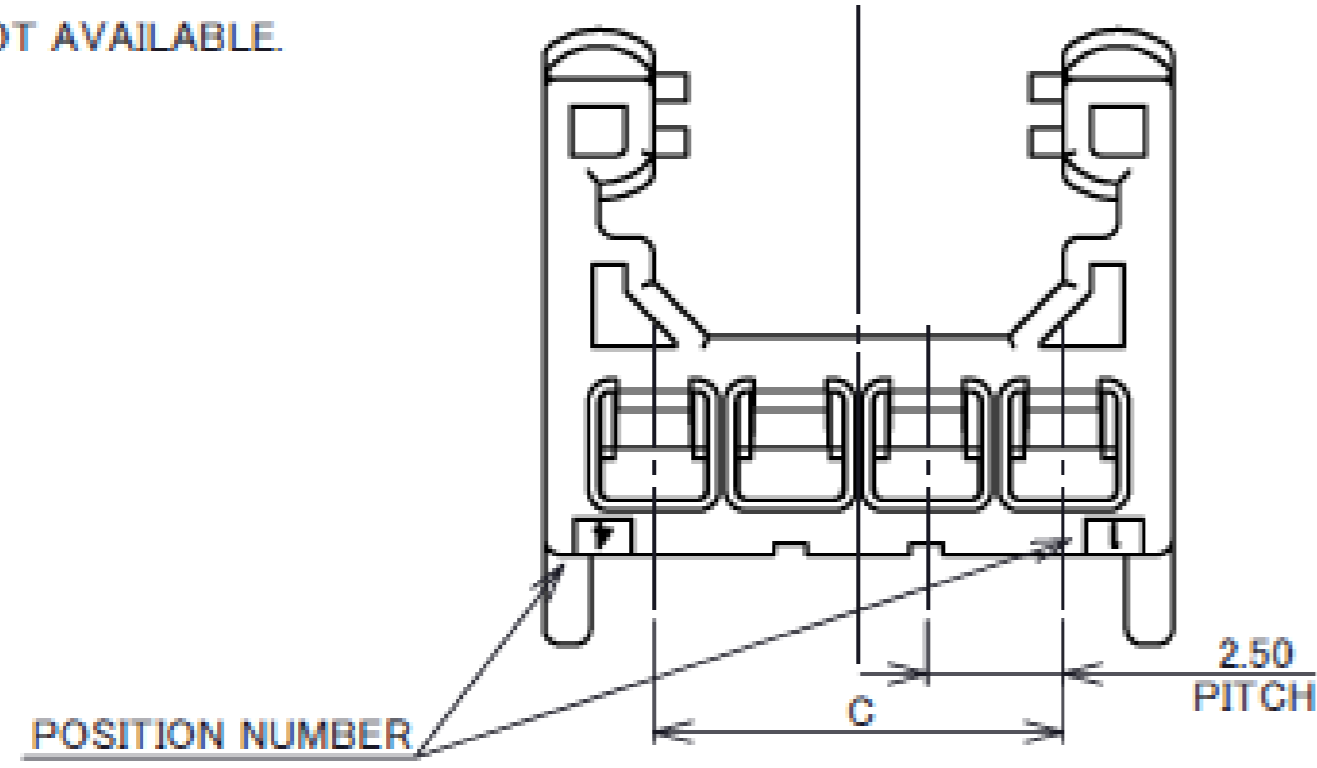
IARPB® (Vertical Type) CONNECTOR HOUSING :

| VARIATIONS | PART NO. | A | B | C |
|------------|----------------|------|------|------|
| 2P | V0145-91002-01 | 8.5 | 4.5 | 2.5 |
| ◆3P | V0145-91003-01 | 9.0 | 7.0 | 5.0 |
| 4P | V0145-91004-01 | 11.5 | 9.5 | 7.5 |
| ◆5P | V0145-91005-01 | 14.0 | 12.0 | 10.0 |
| ◆6P | V0145-91008-01 | 18.5 | 14.5 | 12.5 |
| 7P | V0145-91007-01 | 19.0 | 17.0 | 15.0 |
| ◆8P | V0145-91008-01 | 21.5 | 19.5 | 17.5 |
| ◆9P | V0145-91009-01 | 24.0 | 22.0 | 20.0 |
| ◆10P | V0145-91010-01 | 28.5 | 24.5 | 22.5 |

◆MARK MEANS NOT AVAILABLE.



ISOMETRIC VIEW



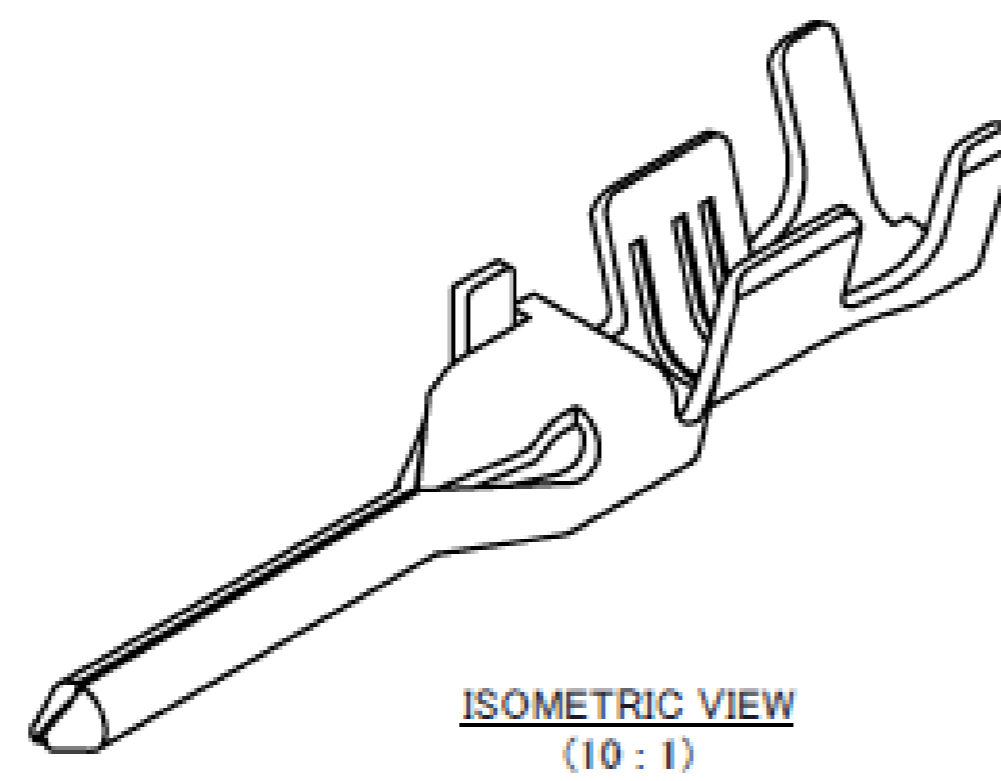
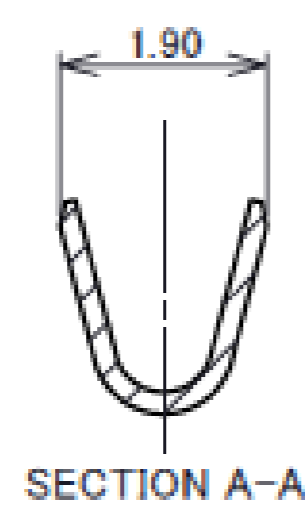
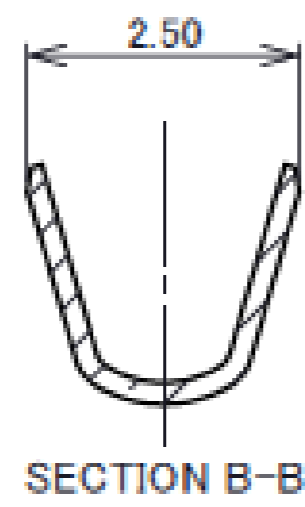
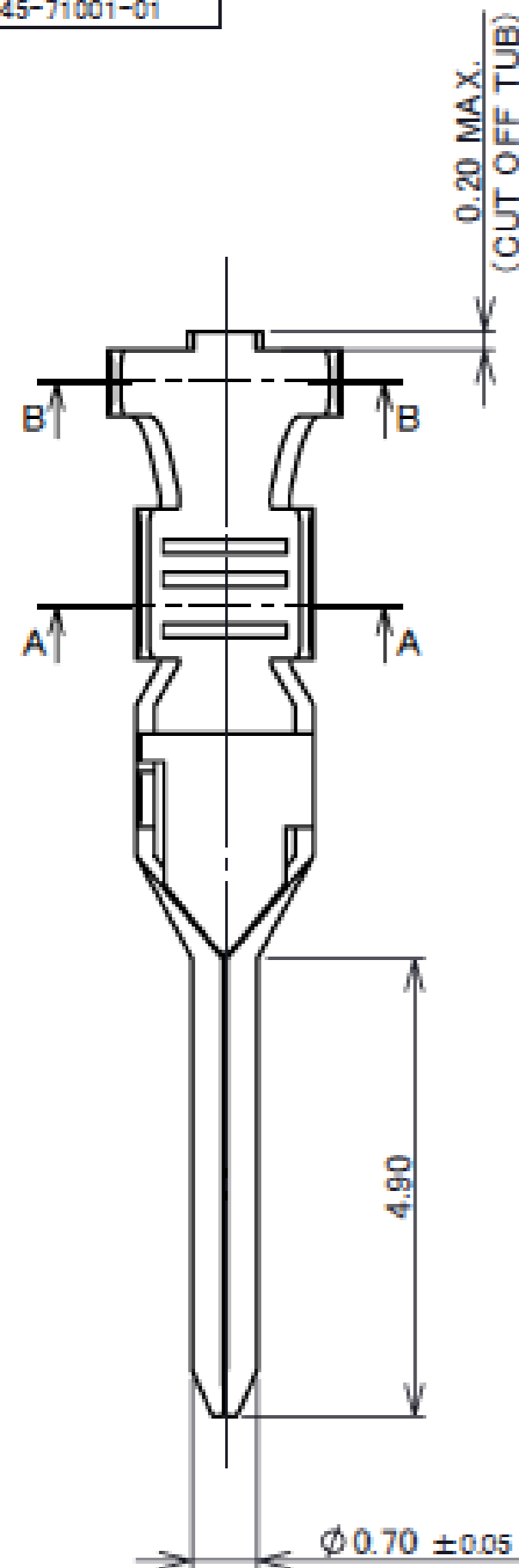
- NOTE
1. TERMINAL P/N: V0145-71001-01
 2. COMPLY WITH ELV/RoHS
 3. PRODUCT SPECIFICATION NO.: PSS-0041
 4. HANDLING MANUAL NO.: HDM-0035

| NO. | DESCRIPTION | MATERIAL | FINISH/COLOR/REMARKS |
|-----|-------------|------------------|----------------------|
| 1 | HOUSING | GLASS FILLED PBT | BLACK |

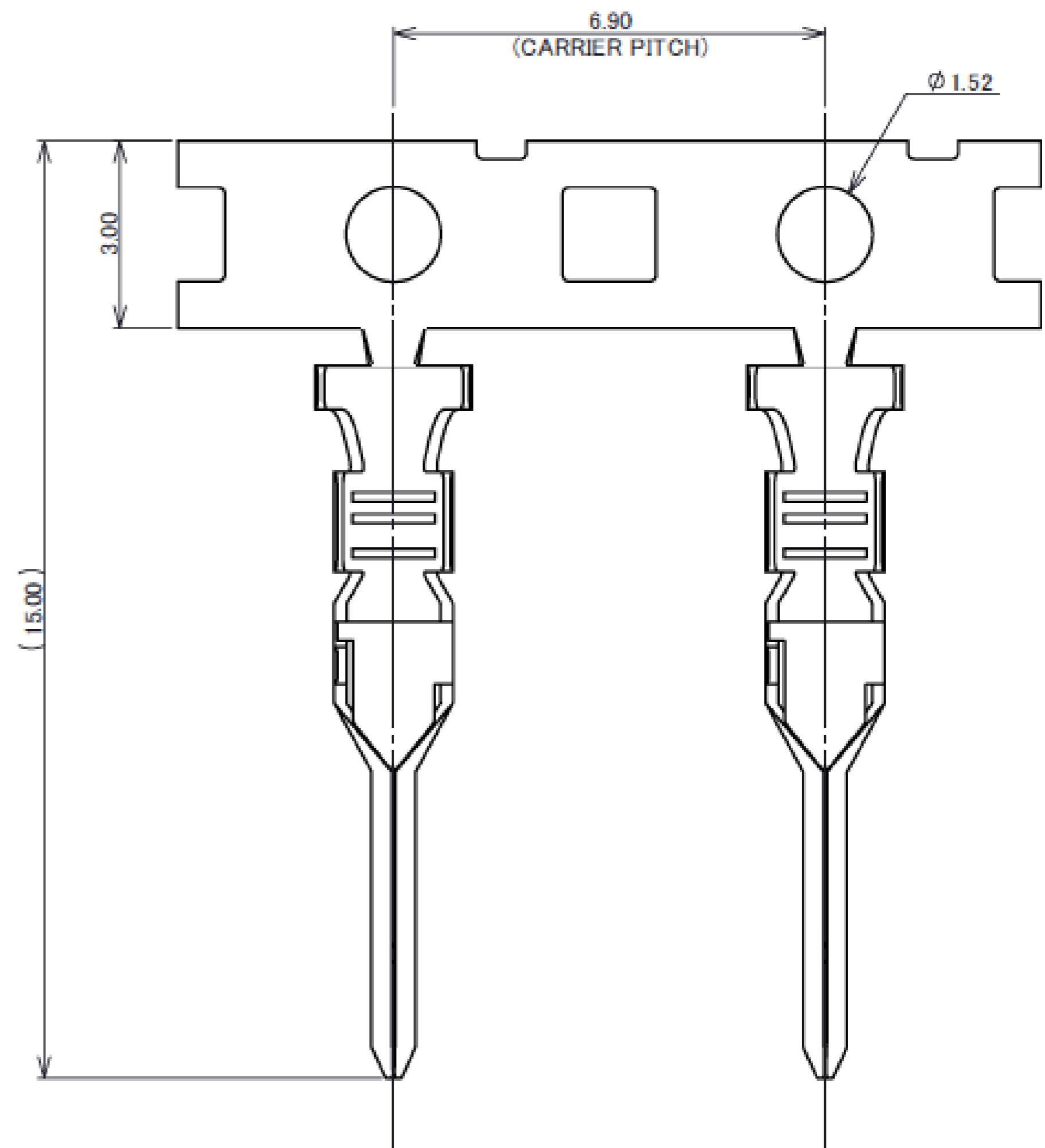
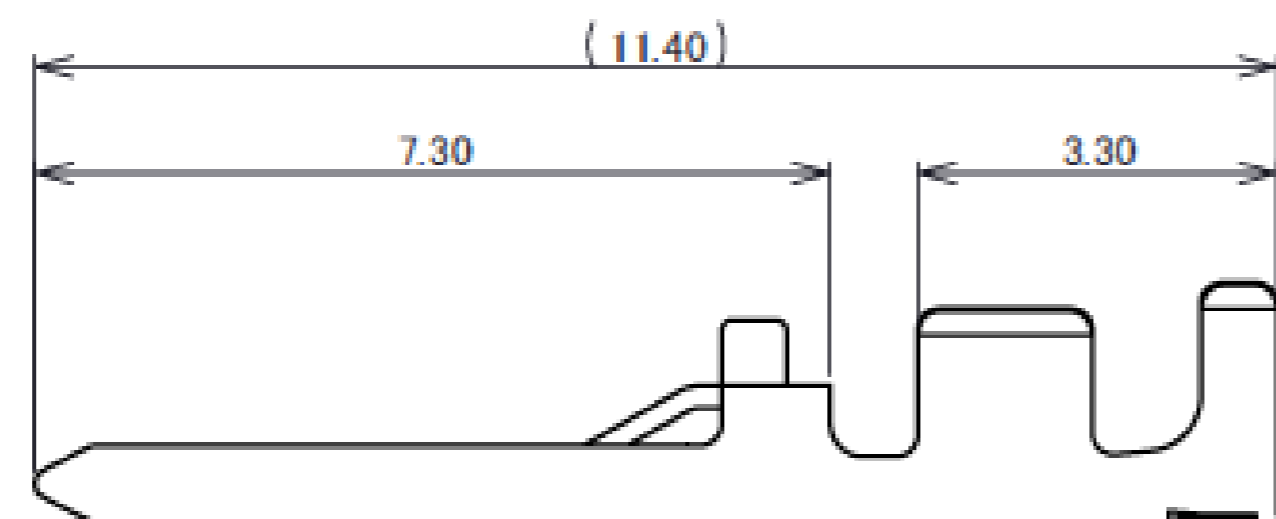
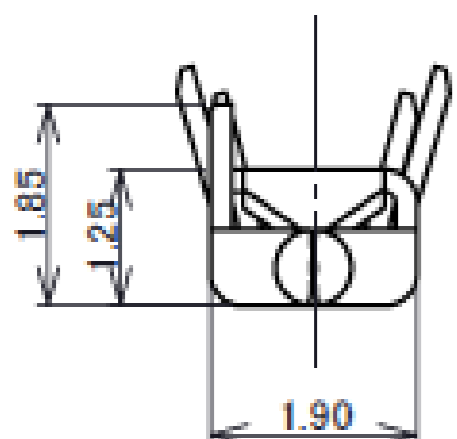
Rev.0

IARPB® (Vertical Type) CONNECTOR TERMINAL :

| PART NO. |
|----------------|
| V0145-71001-01 |



ISOMETRIC VIEW (10:1)



CARRIER

| NO. | DESCRIPTION | MATERIAL | FINISH/COLOR/REMARKS |
|-----|-------------|----------|----------------------|
| 1 | TERMINAL | BRASS | REFLOW Sn |

- NOTE
1. HOUSING P/N: V0145-9100N-01
 2. CABLE SIZE: 0.3 mm² (FINISHED Φ 1.67 mm MAX.)
 3. COMPLY WITH ELV/RoHS
 4. PRODUCT SPECIFICATION NO.: PSS-0041
 5. HANDLING MANUAL NO.: HDM-0035

Rev.0

Custom Connectors Available

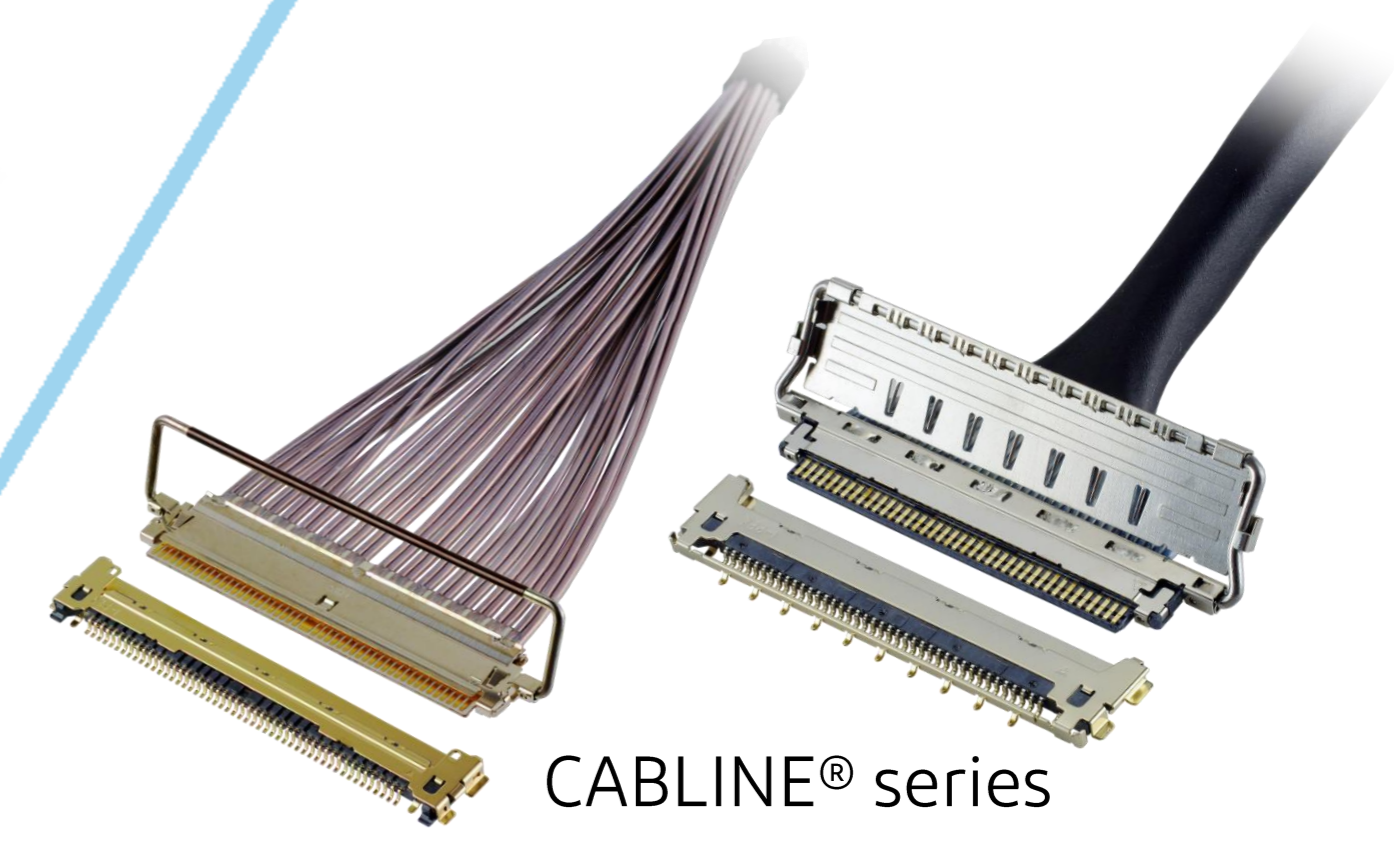
RF Connector

MHF® series



Micro-coaxial/Twinax/Discrete Wire Connector

CABLIN® series



Optical Module

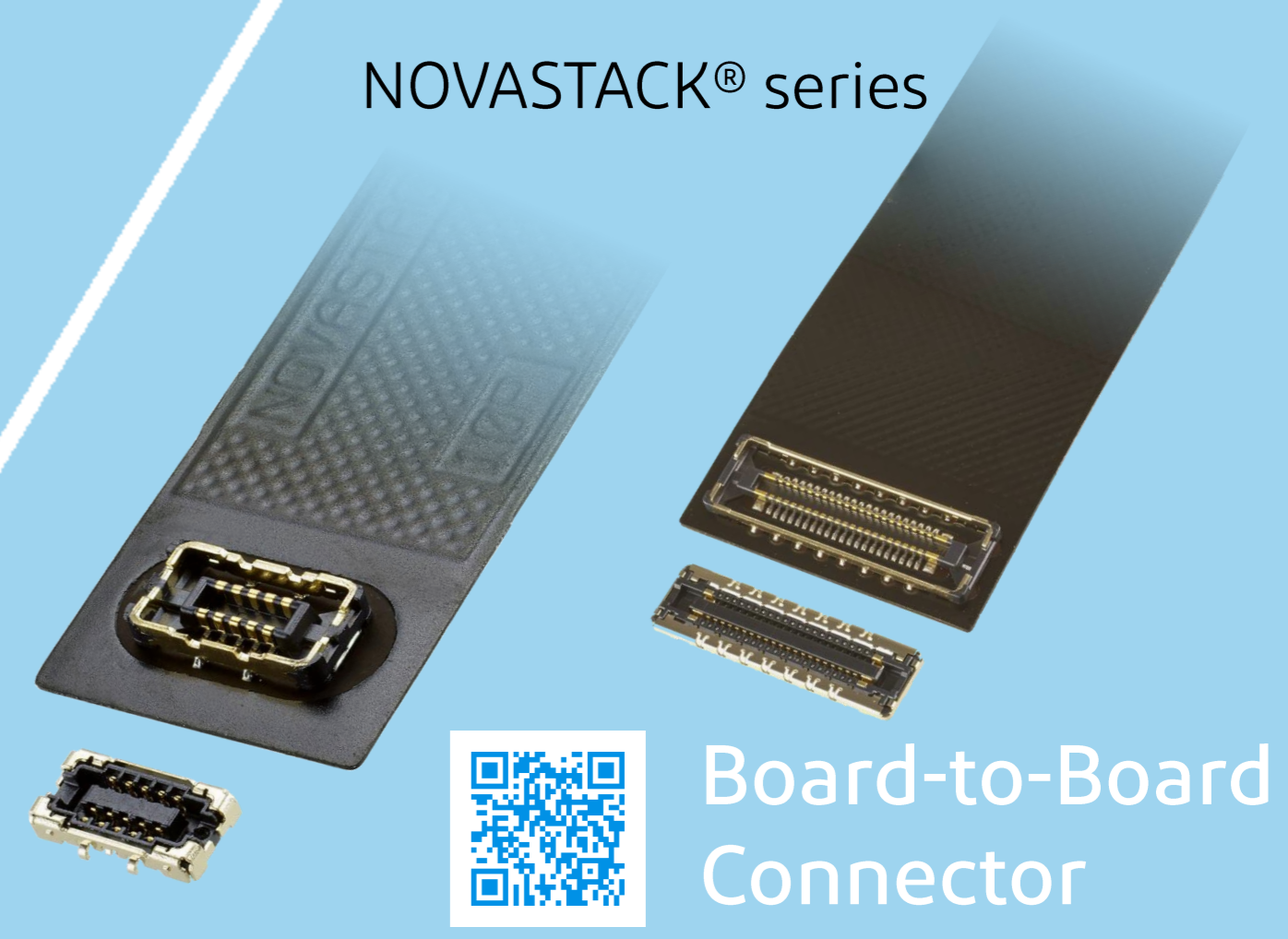
LIGHTPASS® series



NOVASTACK® series



Board-to-Board Connector



Power Connector/Terminal

AP series

ISH® series



MINIFLEX® series

EVAFLEX® series



FPC FFC Connector



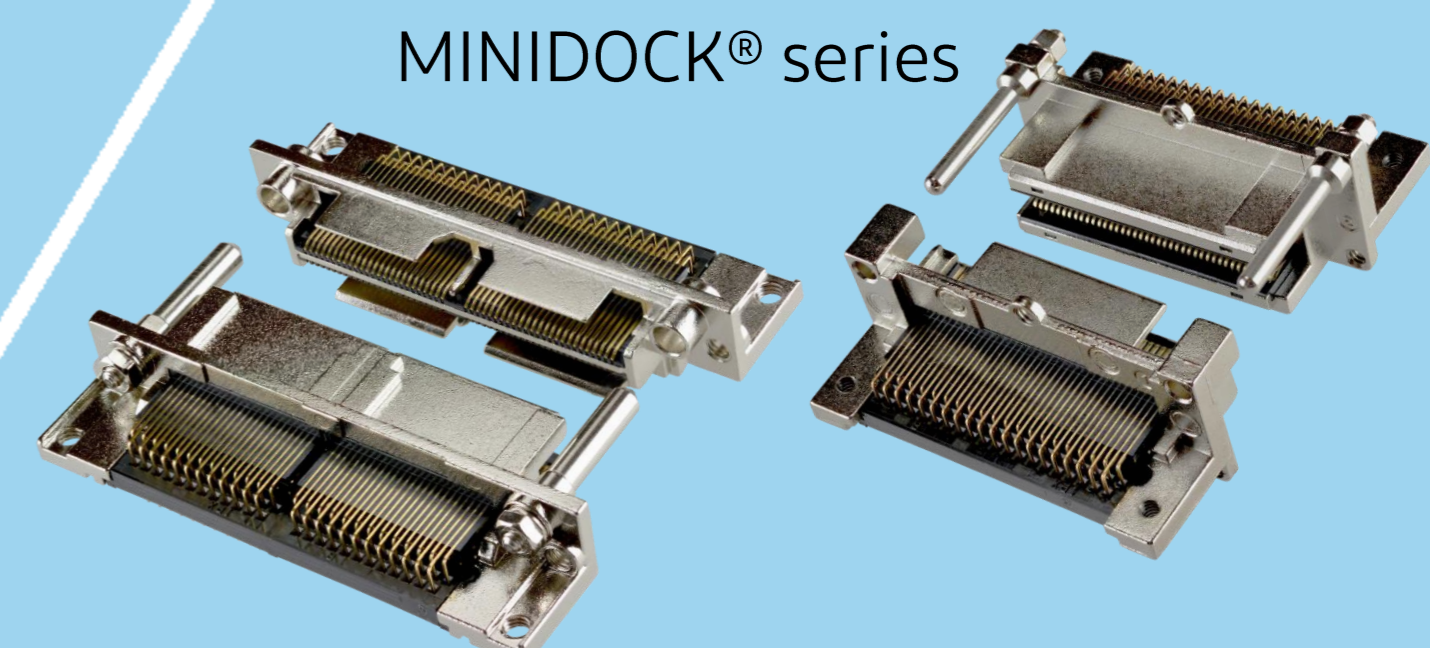
Inquiry



MINIDOCK® series



I/O Connector



I-PEX, MHF, CABLINE, LIGHTPASS, NOVASTACK, ISH, IARPB, MINIFLEX, EVAFLEX, MINIDOCKS and ZenShield are registered trademarks of I-PEX Inc. Please note that the contents in the catalog might be changed without prior notification. I-PEX Inc. assumes no responsibility for any inaccuracies or obligation to update information on these documents. Please be sure to read and understand the latest "Precautions for Use" and "Instruction Manual" before you use our products. We shall not be responsible for any defects, damages or troubles in case you use our products without following the precautions for use. Please feel free to contact our sales representatives when you use our products for any applications that require very high reliability and safety, or that relate to human life (ex. nuclear power control, aerospace, transportation, medical equipment, safety equipment etc.).

Contact your sales representative or more detailed information.

www.i-pex.com



I-PEX

© I-PEX Inc. 2024
All rights reserved