

IARPB[®] (Horizontal Type)

抗振动，一体式，线对板连接器

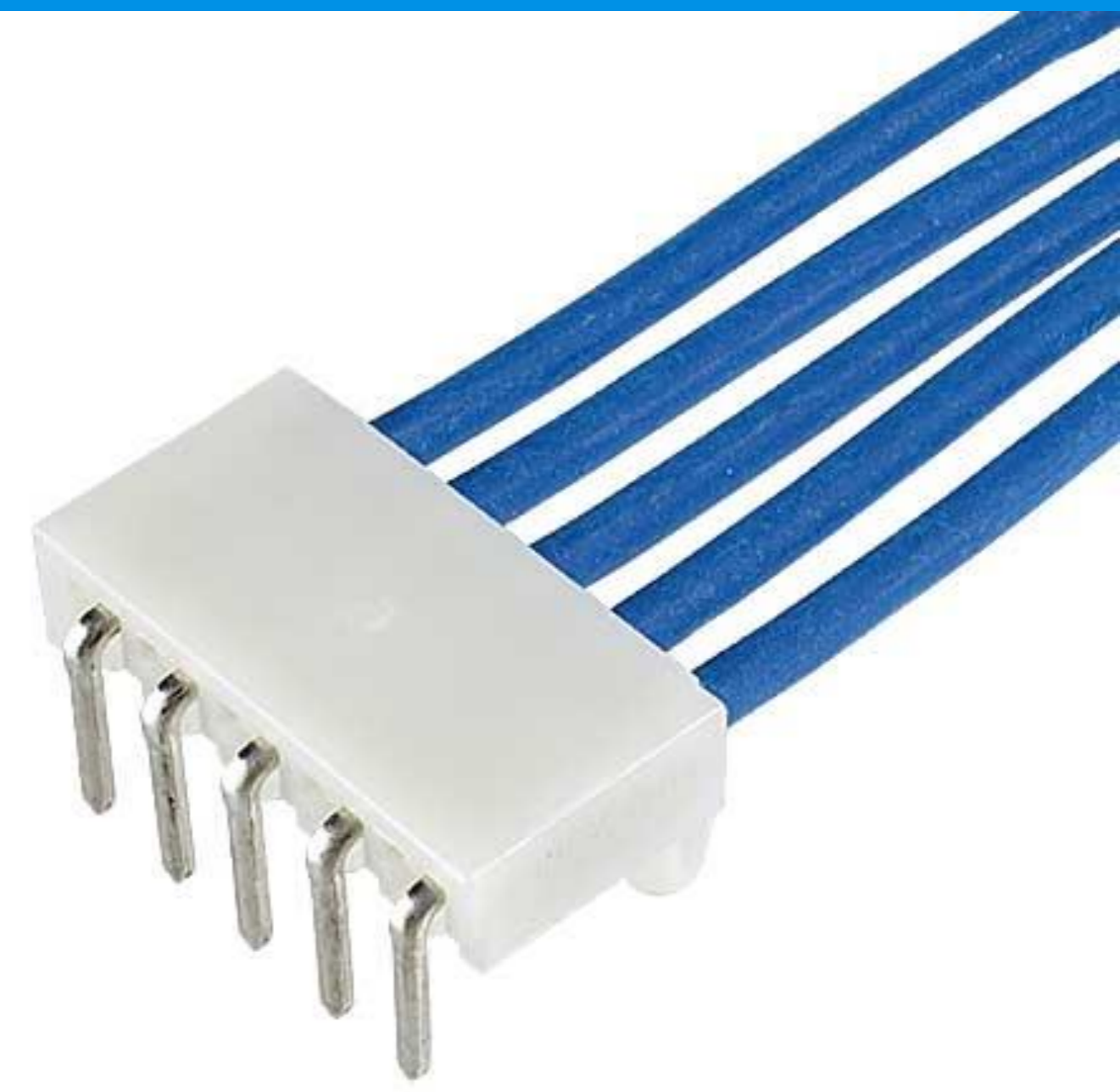
Product Specifications:

Pitch (mm max.)	2.5	
Contact Size (mm)	φ0.7	
Mounted Height (mm)	3.30 (2,3,4,5P) 3.80 (6P)	
Width formula (mm)	Single row: 1.2+2.5*?pin	
Operating Temperature	-40 - 125°C	
Vibration Resistance	10G	
Current Rating	3A per pin	
Voltage Rating	250V	
Withstand Voltage	AC 1000V/minute	
Plating	Sn	
Housing	PBT GF15	
Pin counts	Range	Up to 6
	Available	2, 3, 4, 5, 6

Applicable Cable Size:

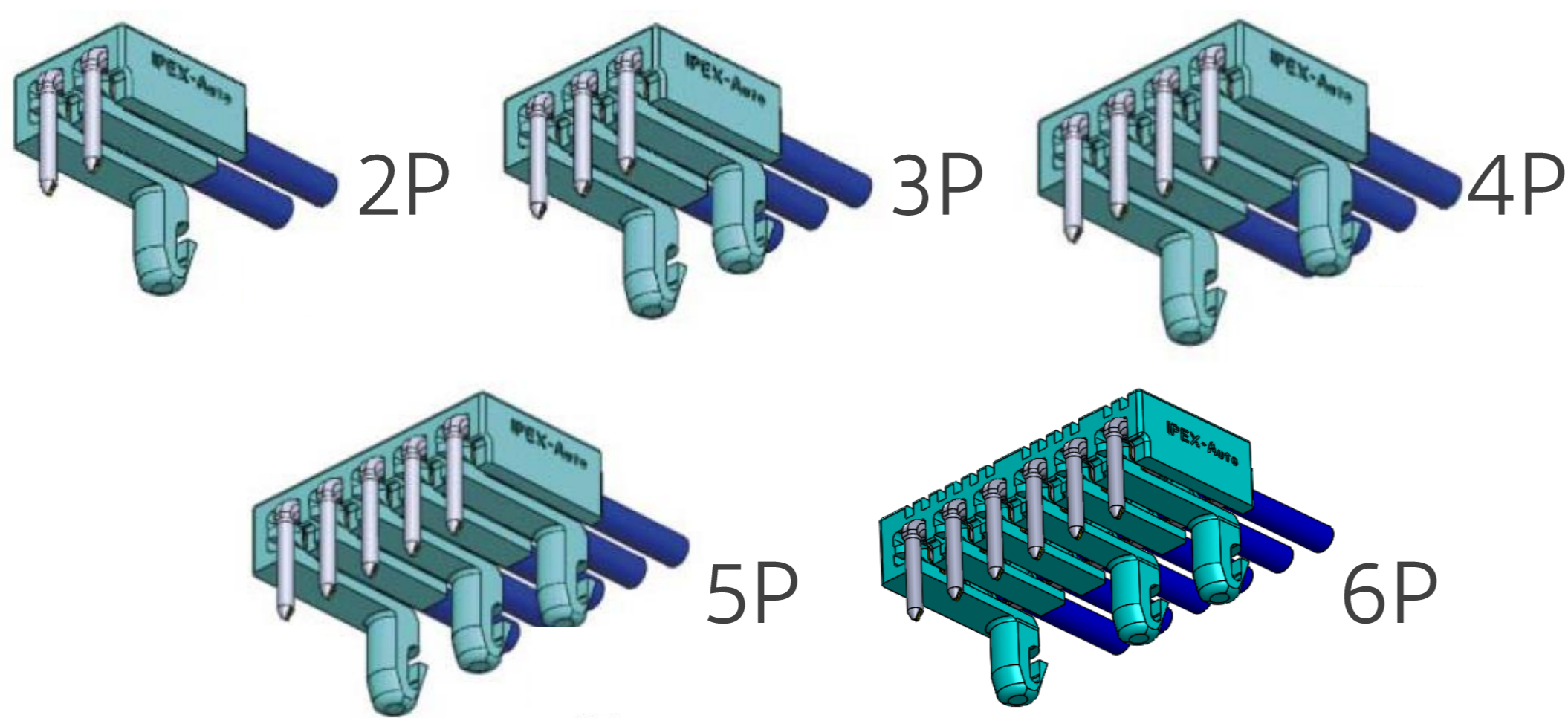
AWG#22 *Insulation Diameter 1.67 mm max.

*如您需要了解未列出或不在范围内的Pin数，请咨询我们。

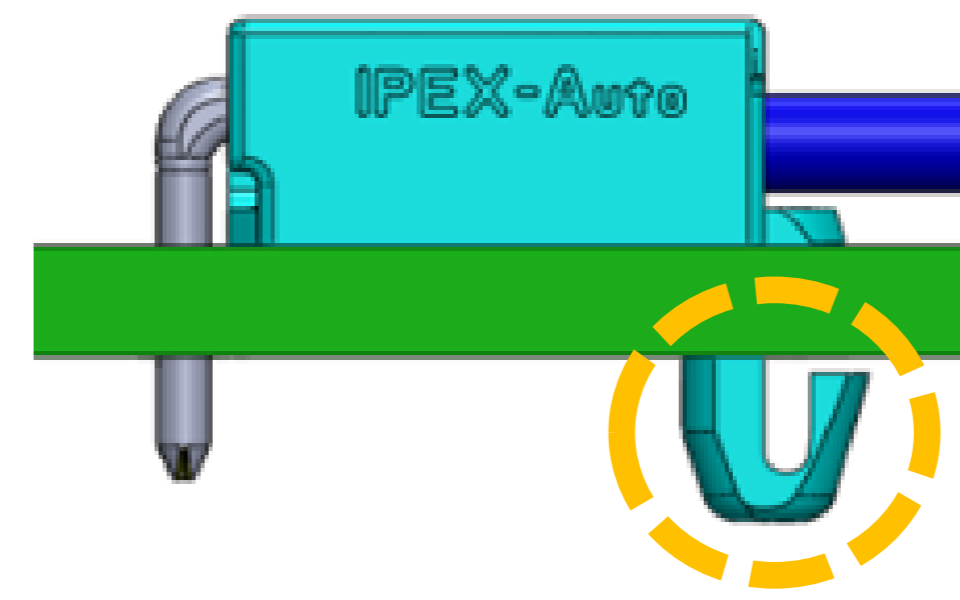


► 本体的柱结构提供优秀的保持力，在高振动环境下提供稳定的电气性能

塑胶本体上的凸台结构确保高耐振性

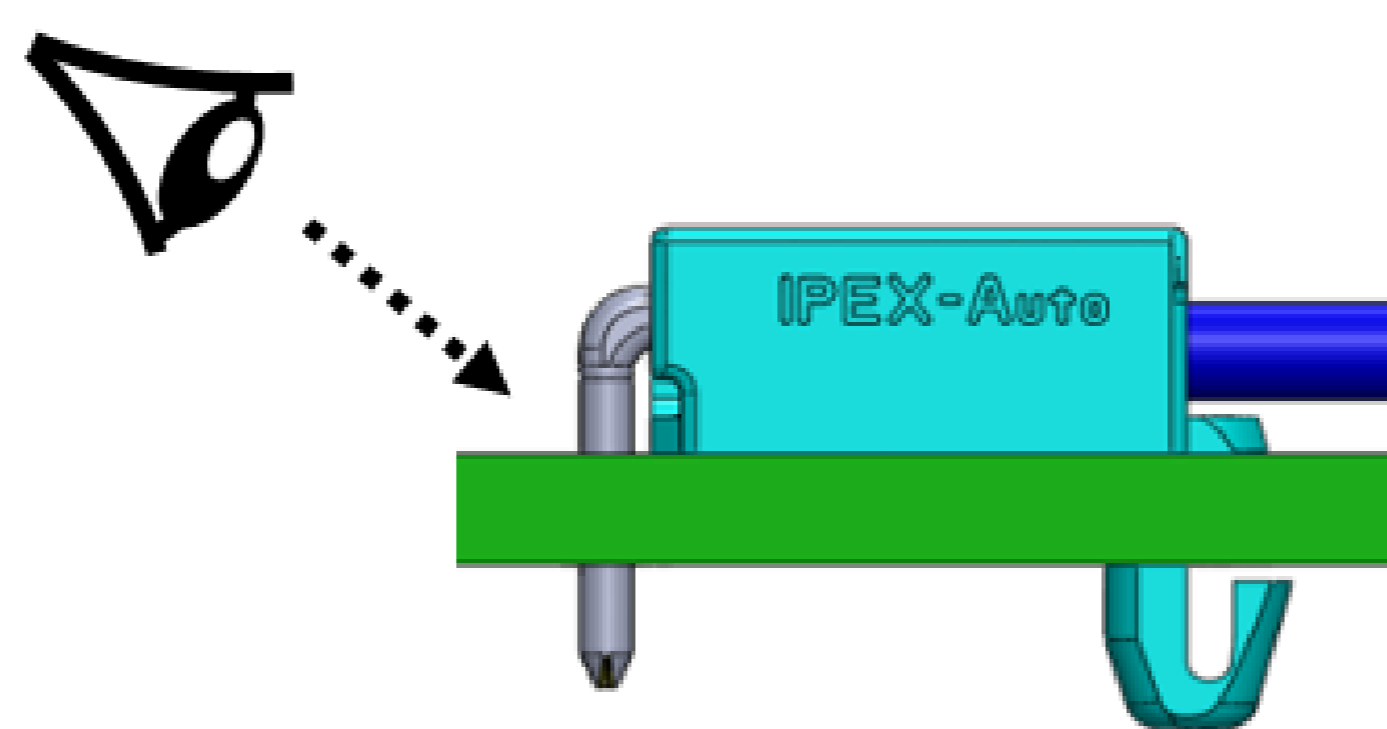


凸台固定于PCB板，能够吸收振动，防止在振动对端子产生压力



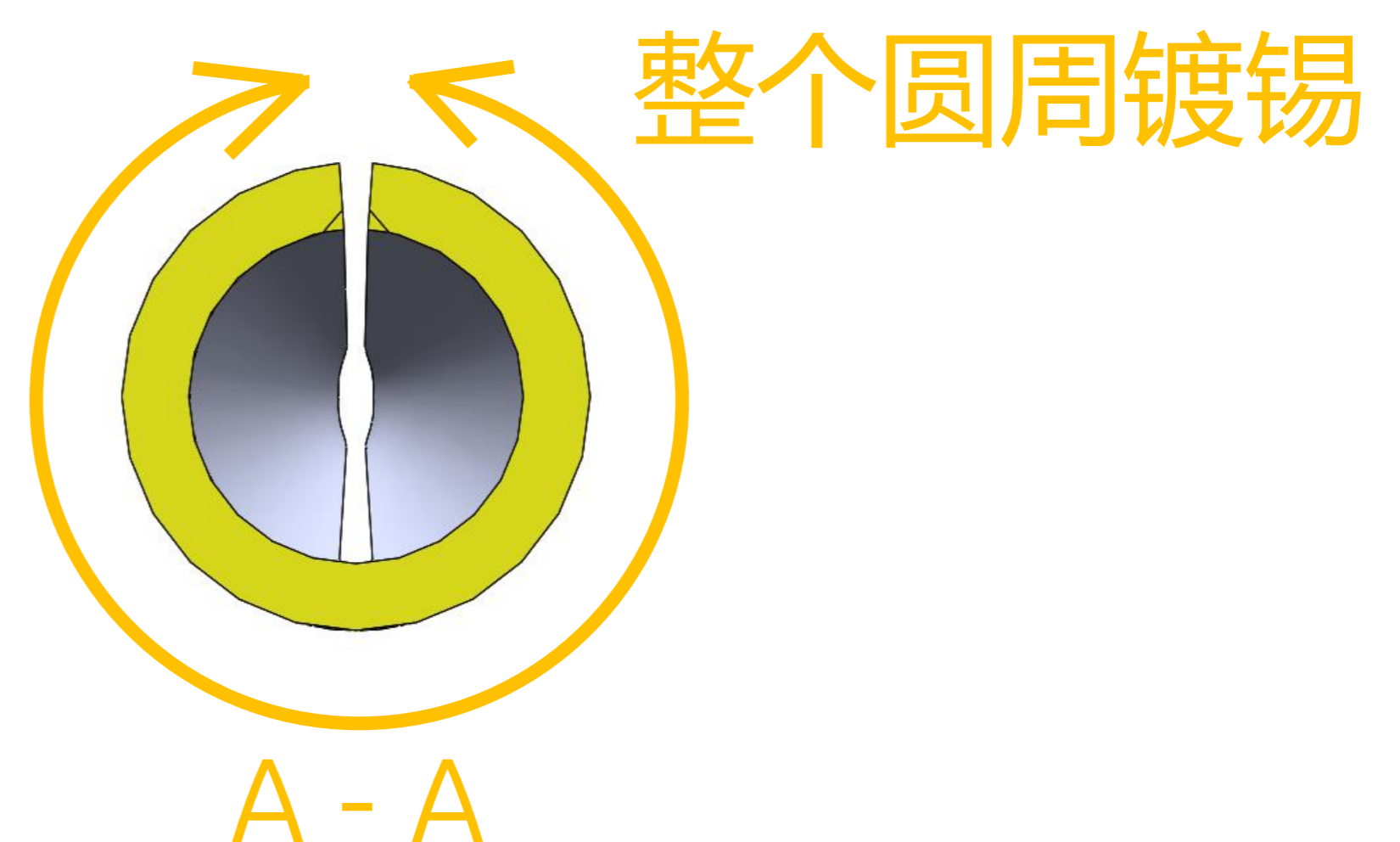
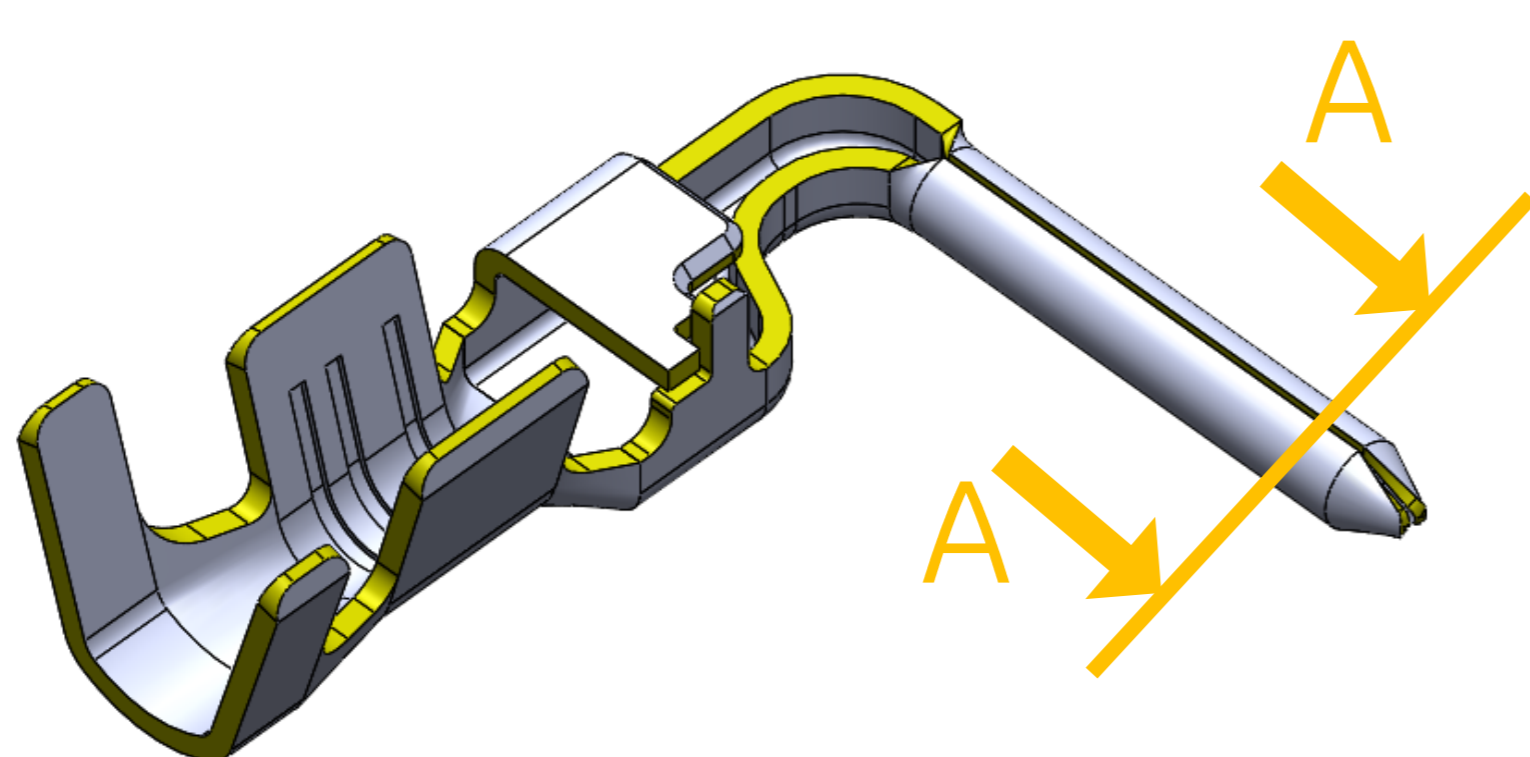
► 设计简单，易于检查焊接连接

产品安装时能够清晰看到端子位置，可以防止由于插偏导致的端子变形
即使从上部也能容易的判别焊接后的情况，可以降低检查成本
焊锡部位既可以在PCB下面，也可在上面



► 全圈电镀，可焊性稳定

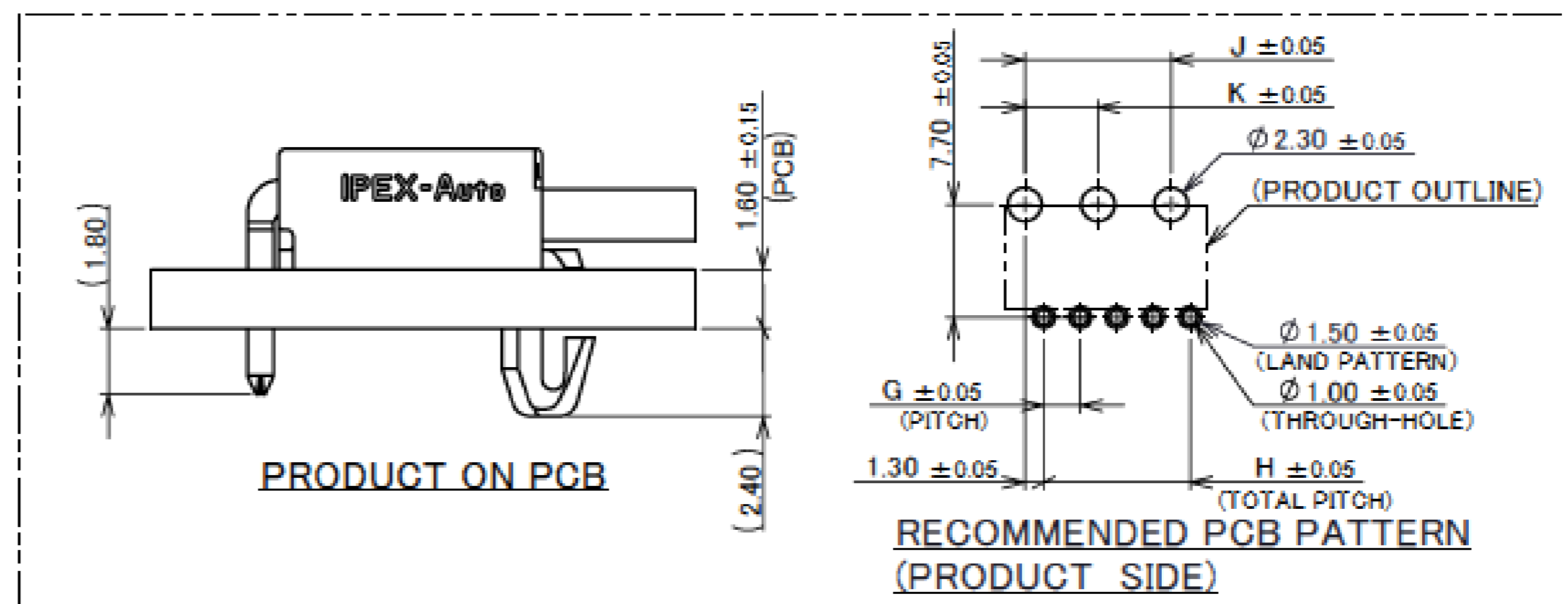
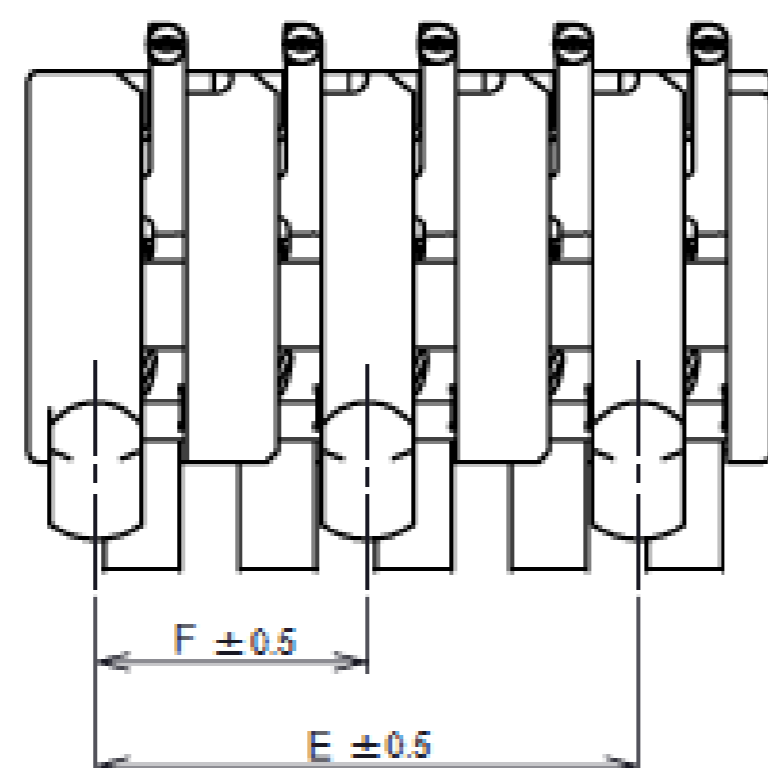
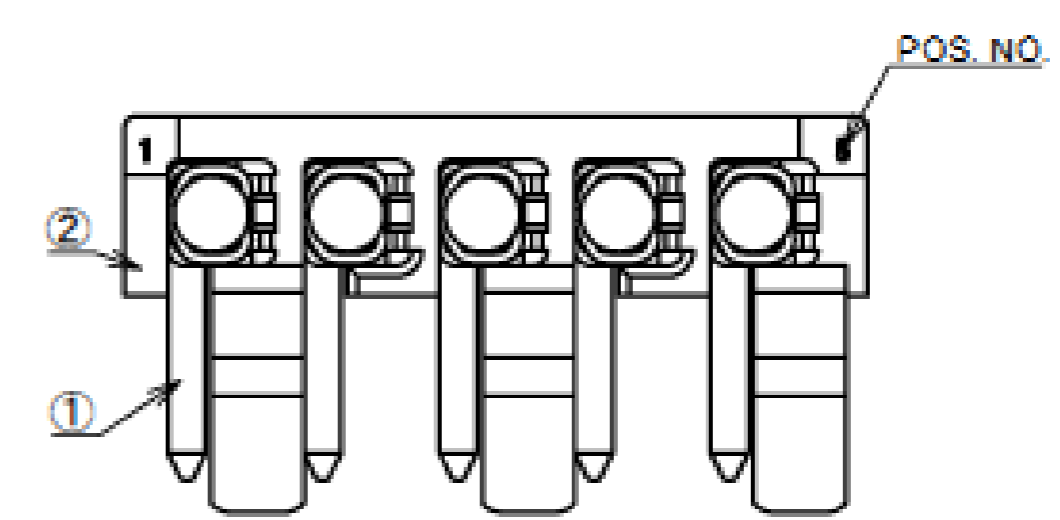
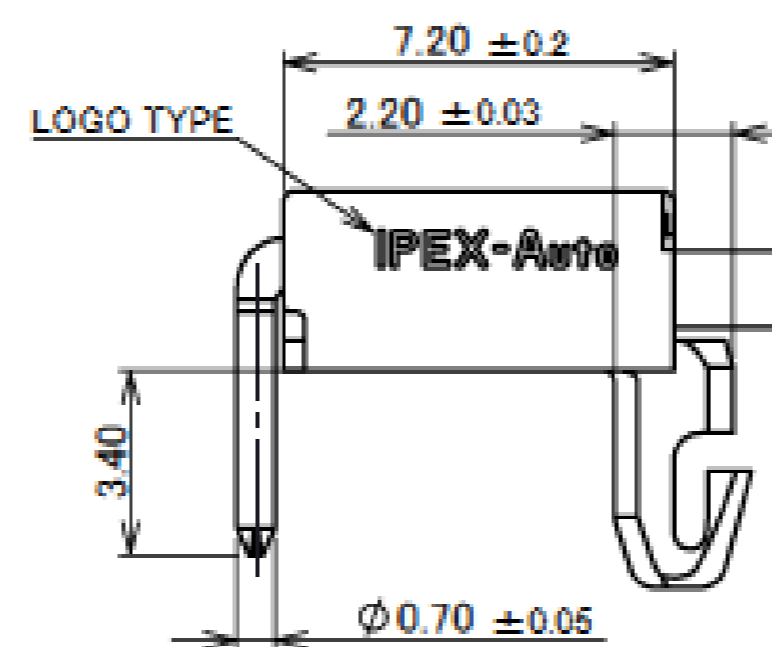
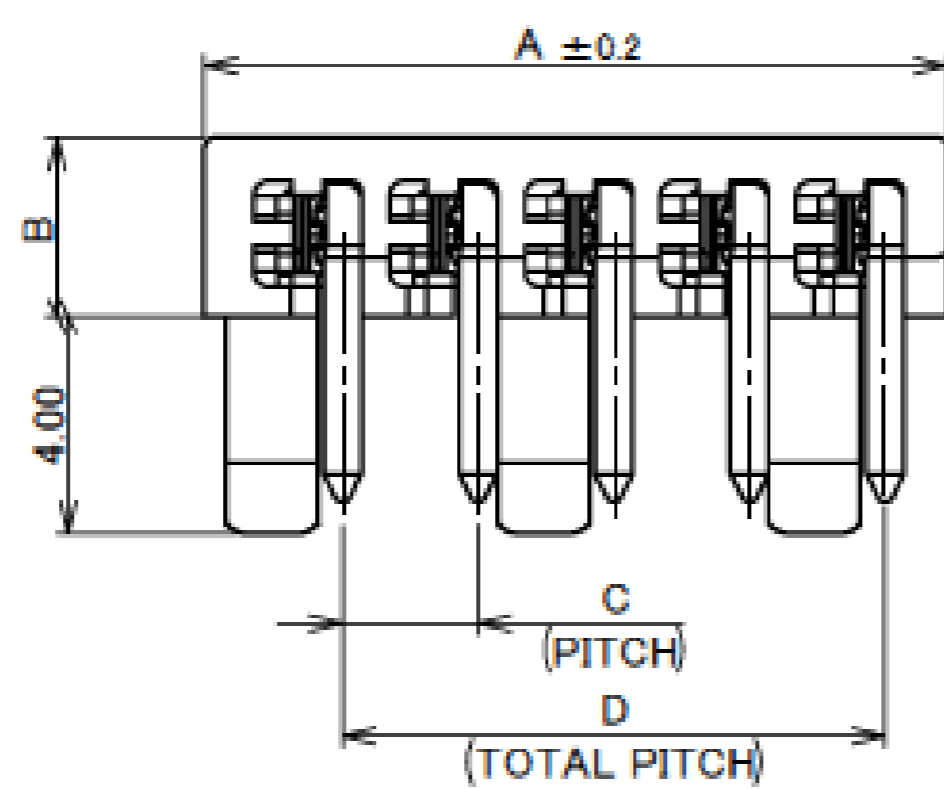
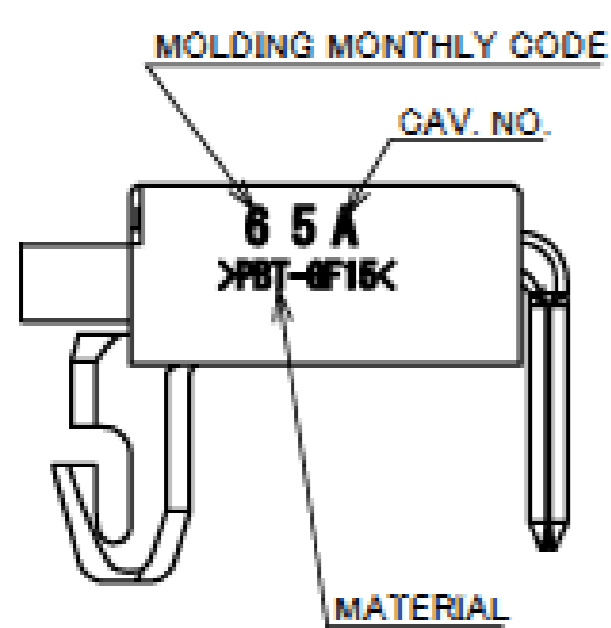
前电镀端子冲压成圆形，镀锡层覆盖整个圆周，确保良好的可焊性



Component Parts Details

IARP® CONNECTOR ASS'Y:

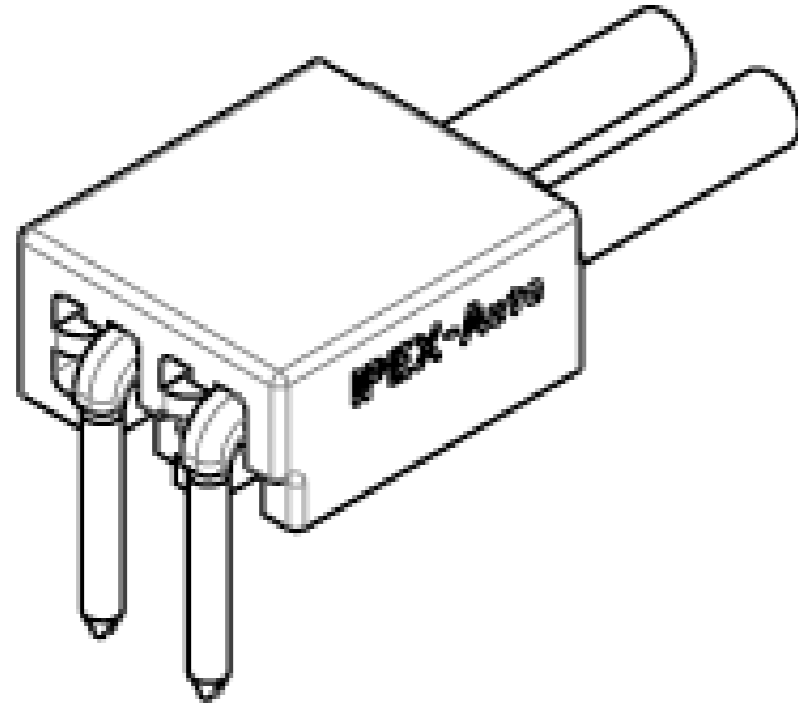
VARIATIONS	SET PARTS NO.	A	B	C	D	E	F	G	H	J	K
2P	V0125-002A-01	6.20	3.30	-	2.50	-	-	-	2.50	-	-
3P	V0125-003A-01	8.70	3.30	2.50	5.00	5.00	-	2.50	5.00	5.00	-
4P	V0125-004A-01	11.20	3.30	2.50	7.50	7.50	-	2.50	7.50	7.50	-
5P	V0125-005A-01	13.70	3.30	2.50	10.0	10.0	5.00	2.50	10.0	10.0	5.00
6P	V0125-006A-01	16.20	3.80	2.50	12.5	12.5	7.50	2.50	12.5	12.5	7.50



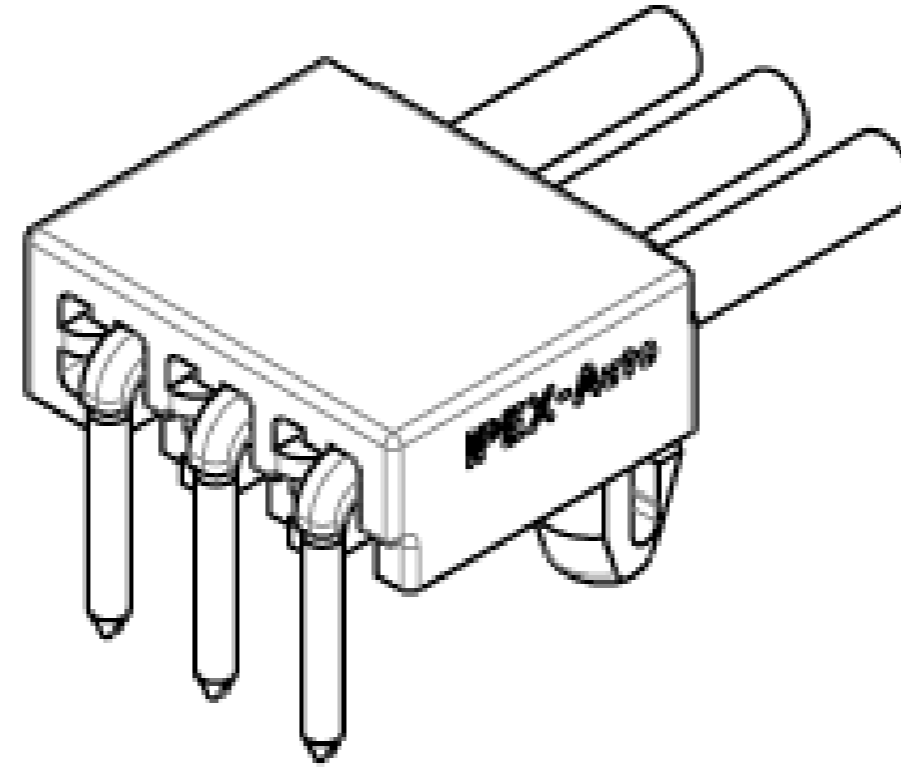
NO.	DESCRIPTION	MATERIAL	FINISH/COLOR/REMARKS
2	HOUSING	GLASS FILLED PBT	NATURAL
1	TERMINAL	BRASS	REFLOW Sn

- NOTE
1. CABLE: 0.3mm² (FINISHED Φ 1.67mm MAX.)
 2. COMPLY WITH ELV/RoHS
 3. PRODUCT SPECIFICATION NO.: PSS-0037
 4. HANDLING MANUAL NO.: HDM-0025

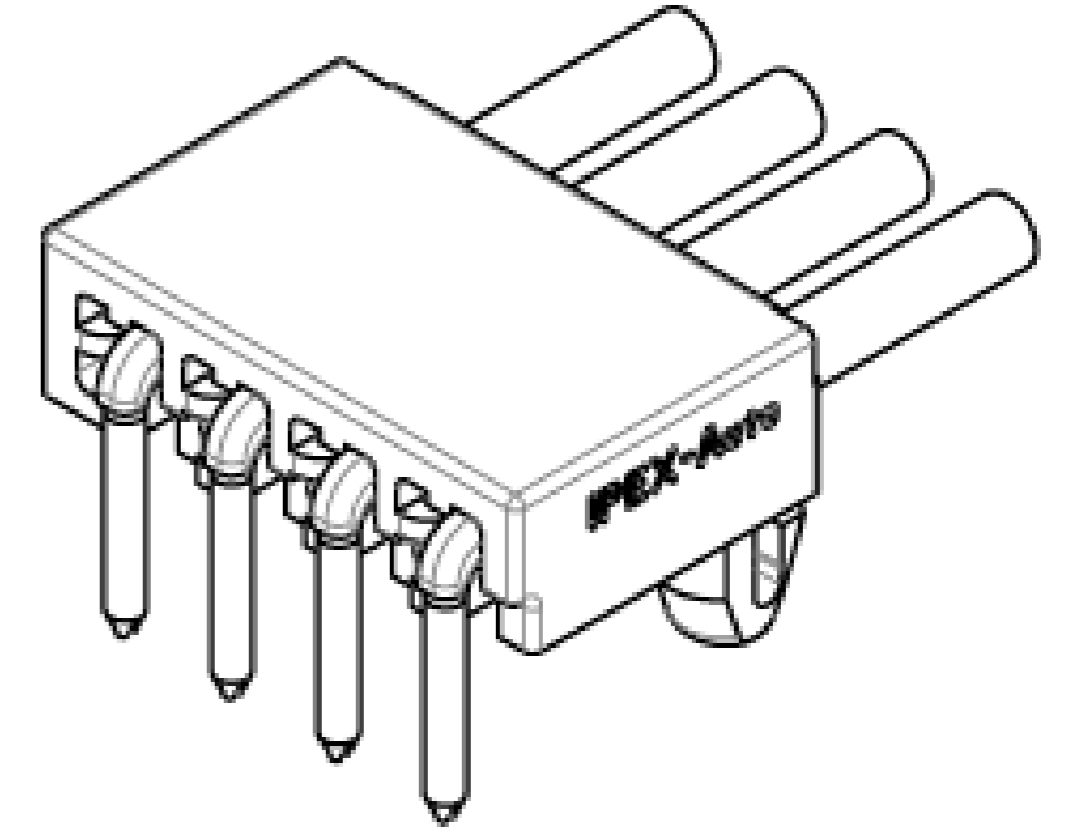
IARPB® CONNECTOR ASS'Y:



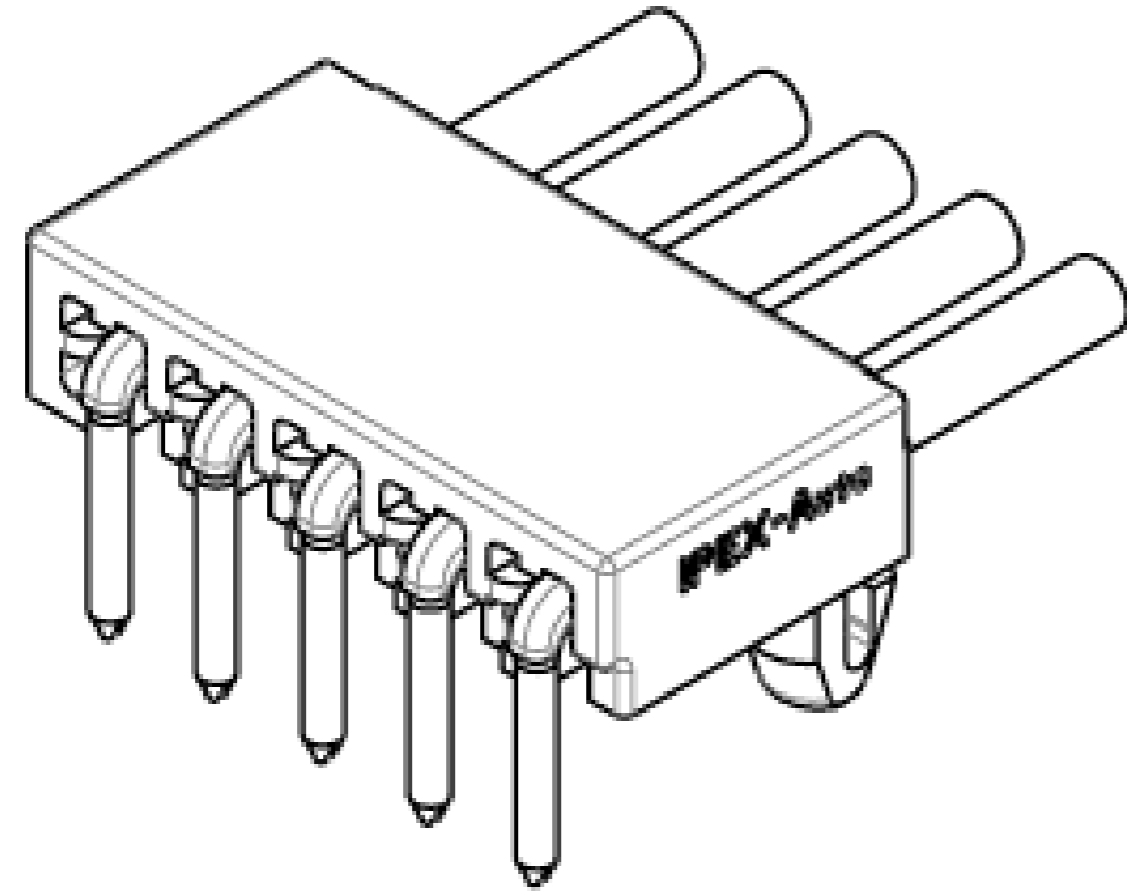
IARPB CONNECTOR 2P
SET PARTS NO. V0125-002A-01



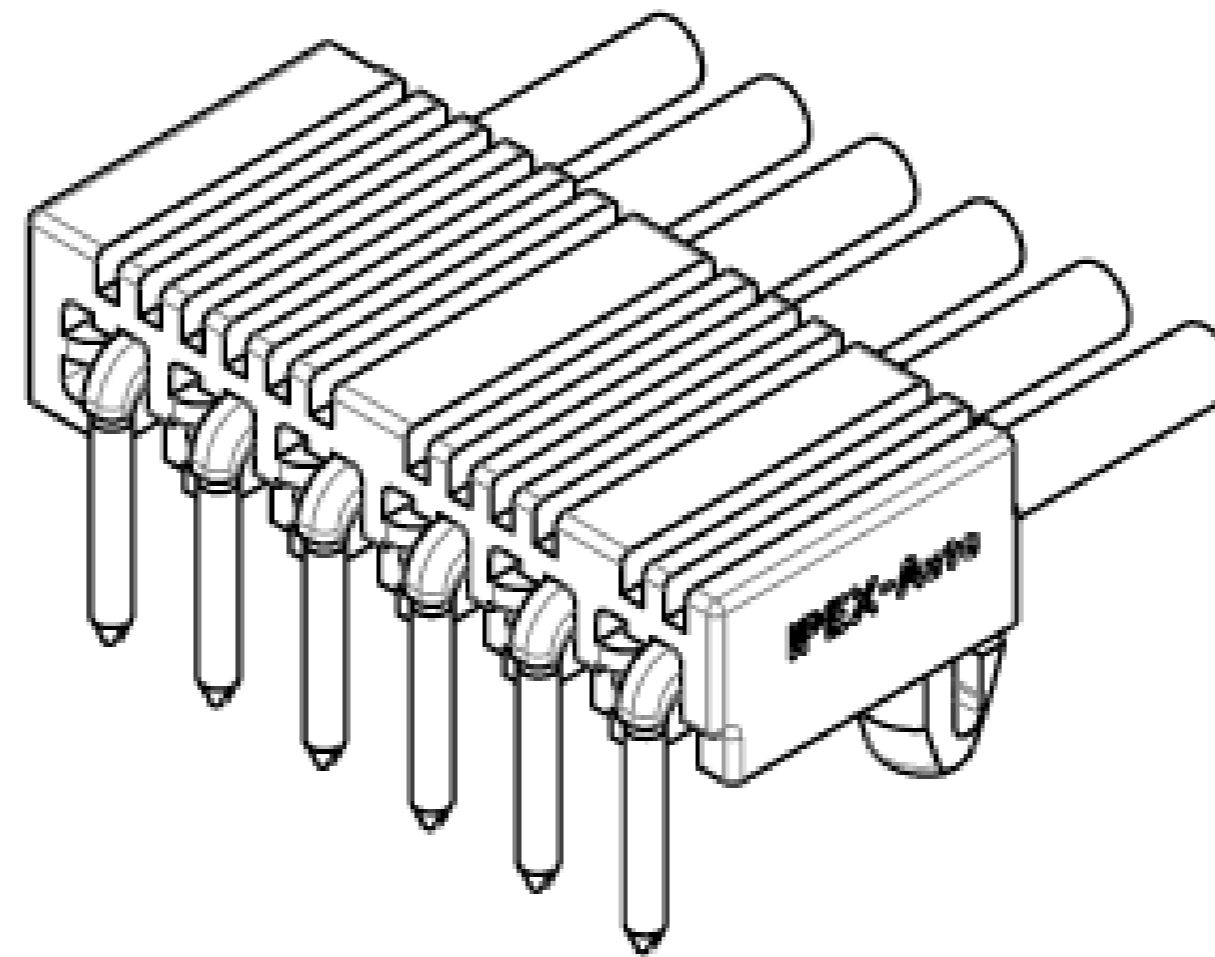
IARPB CONNECTOR 3P
SET PARTS NO. V0125-003A-01



IARPB CONNECTOR 4P
SET PARTS NO. V0125-004A-01



IARPB CONNECTOR 5P
SET PARTS NO. V0125-005A-01

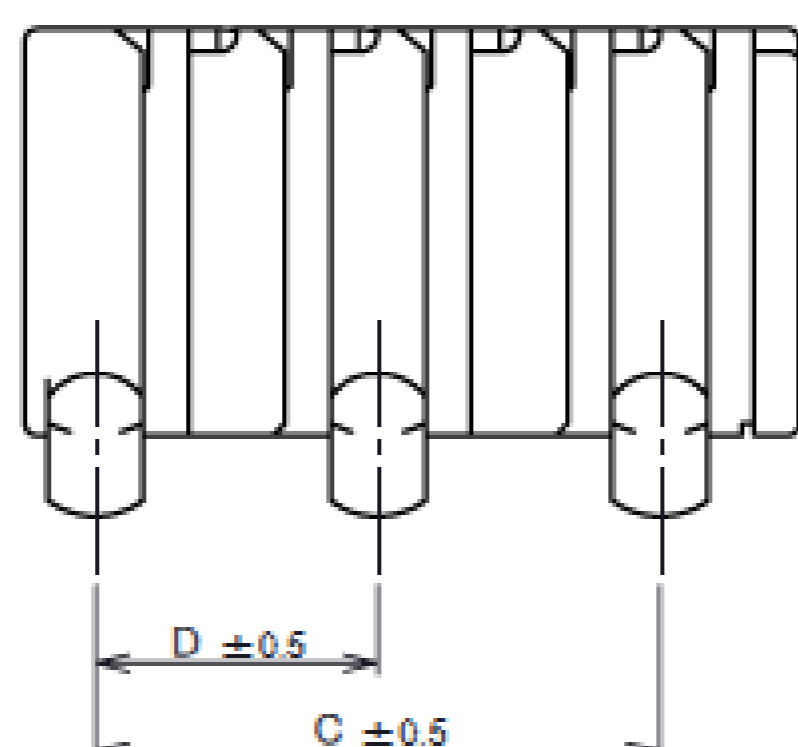
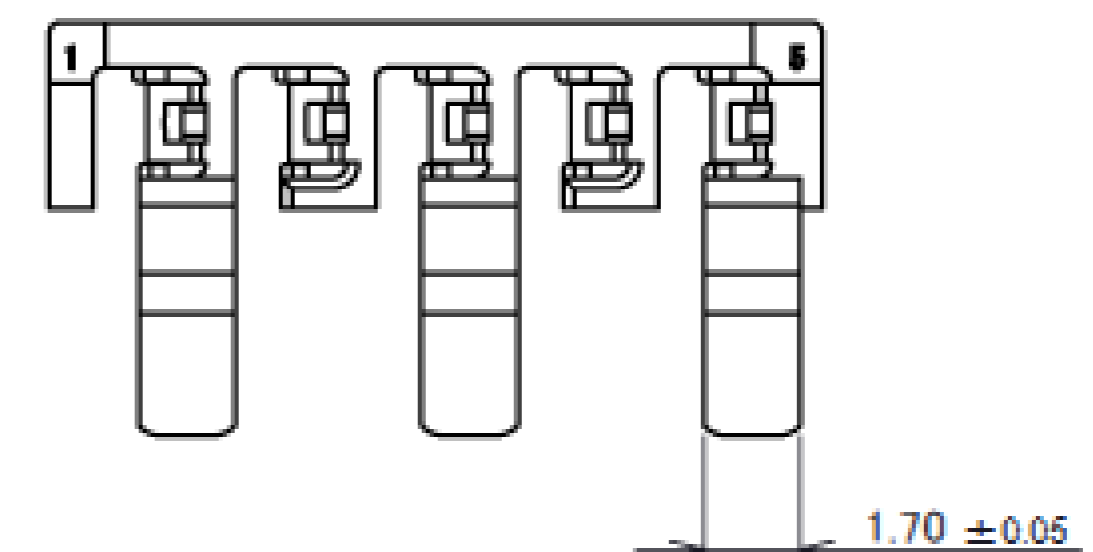
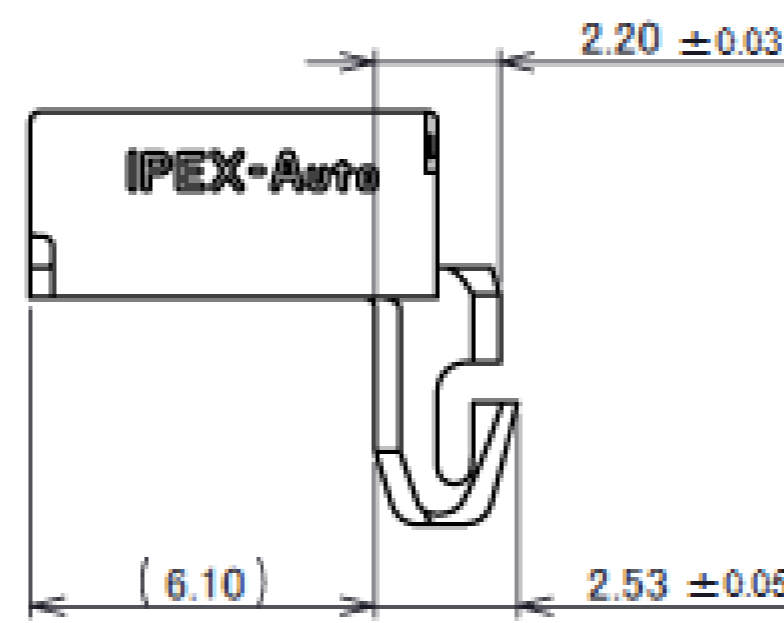
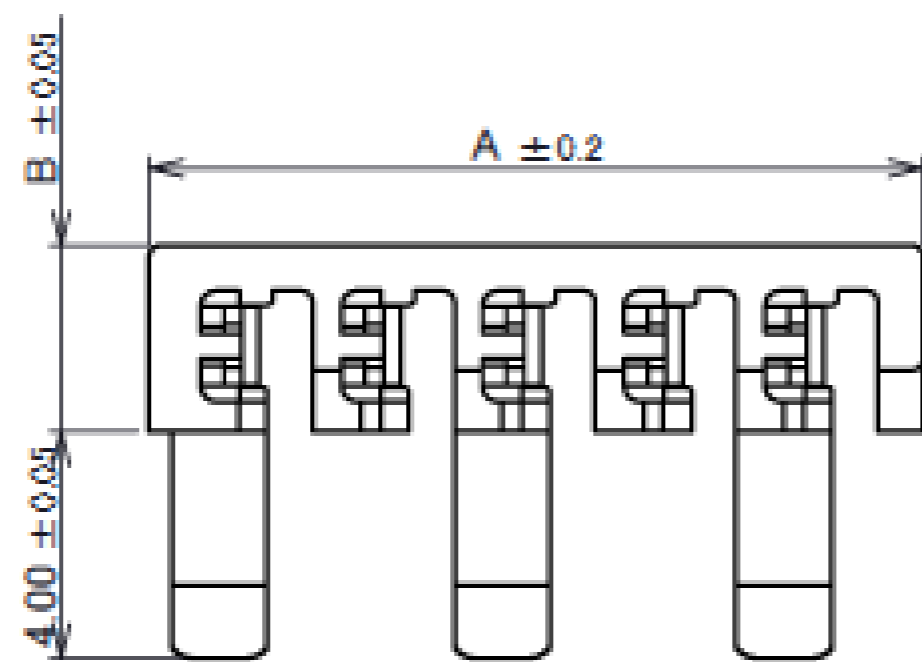
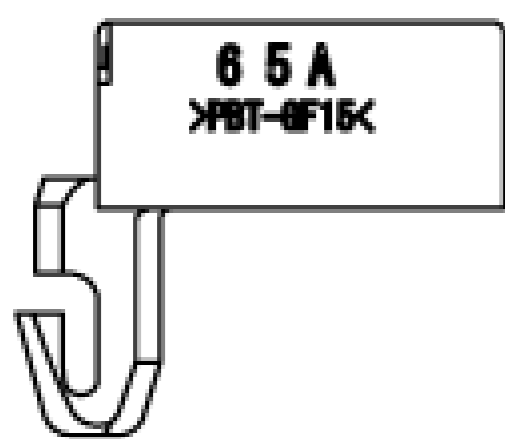
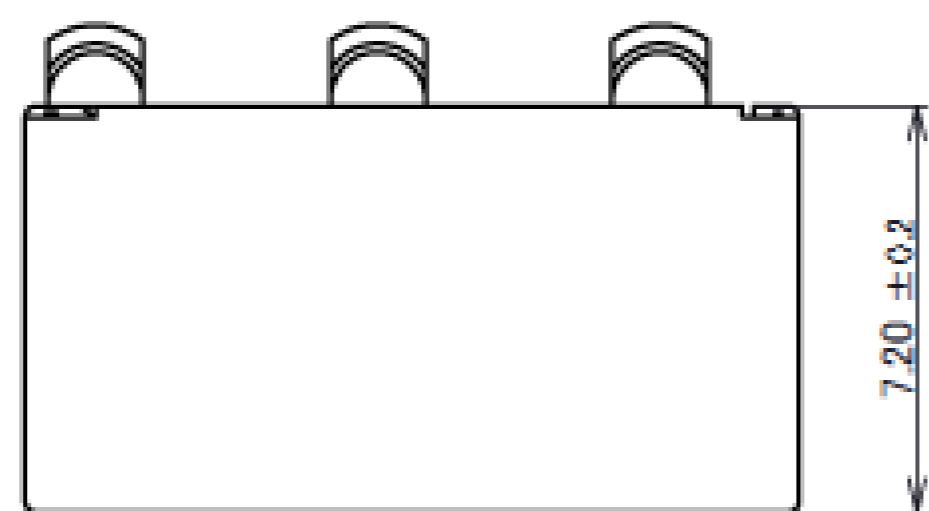


IARPB CONNECTOR 6P
SET PARTS NO. V0125-006A-01

Rev.4

IARPB® CONNECTOR HOUSING:

VARIATIONS	PARTS NO.	A	B	C	D
2P	V0125-91002-01	6.20	3.30	-	-
3P	V0125-91003-01	8.70	3.30	5.00	-
4P	V0125-91004-01	11.20	3.30	7.50	-
5P	V0125-91005-01	13.70	3.30	10.0	5.00
6P	V0125-91006-01	16.20	3.80	12.5	7.50

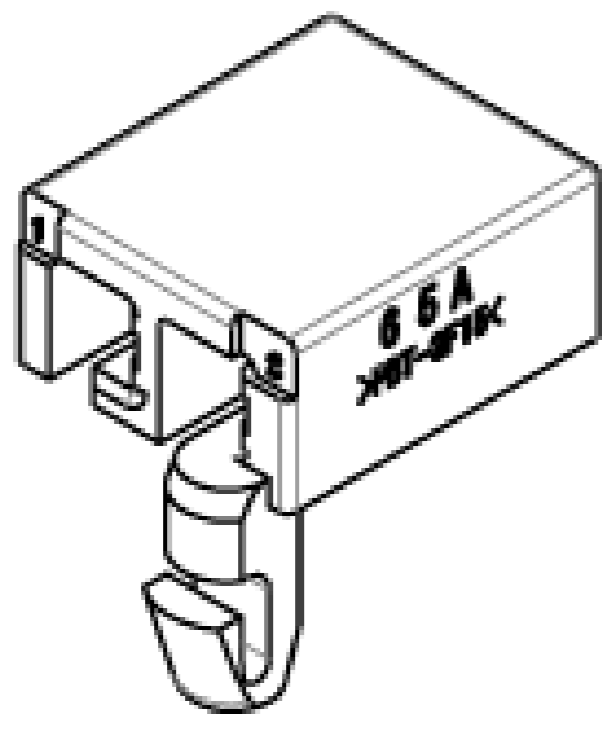


- NOTE
1. TERMINAL...P/N: V0125-71001-01
 2. COMPLY WITH ELV/RoHS
 3. PRODUCT SPECIFICATION NO.: PSS-0037
 4. HANDLING MANUAL NO.: HDM-0025

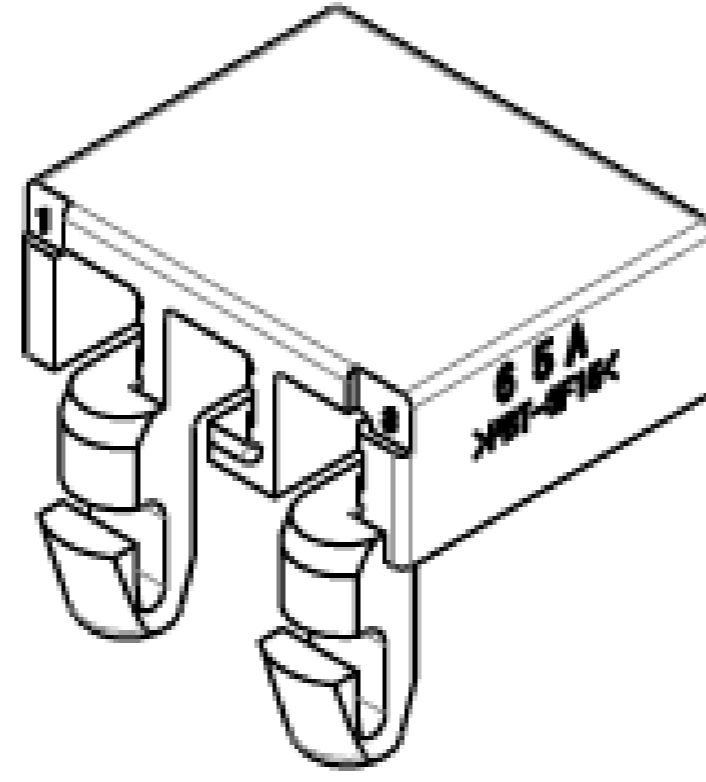
NO.	DESCRIPTION	MATERIAL	FINISH/COLOR/REMARKS
1	HOUSING	GLASS FILLED PBT	NATURAL

Rev.4

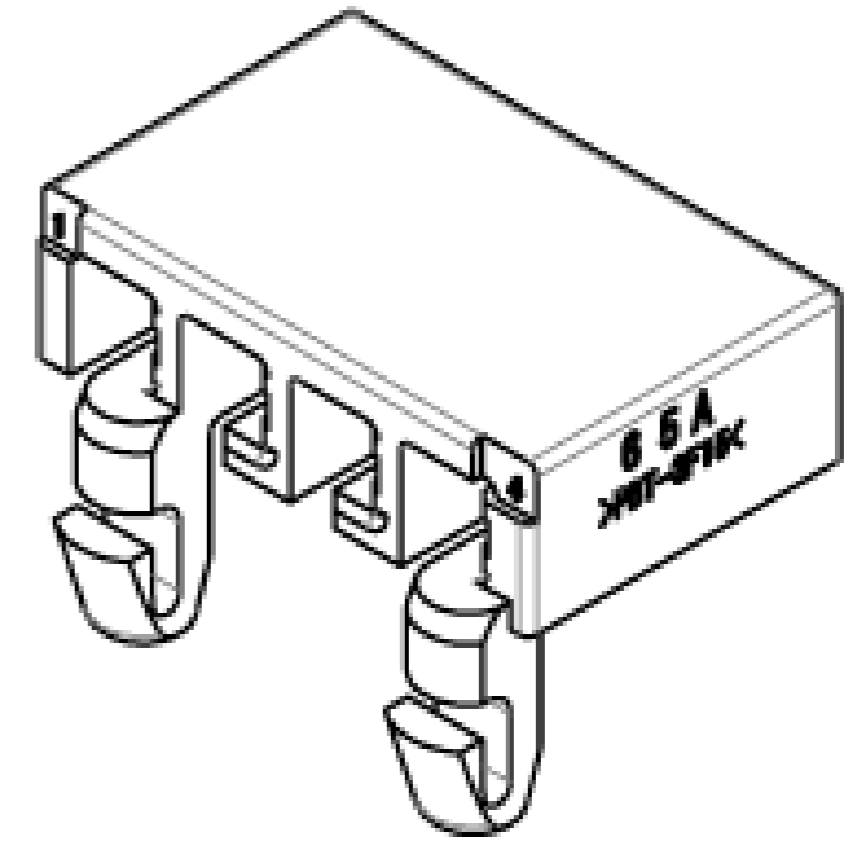
IARPB® CONNECTOR HOUSING:



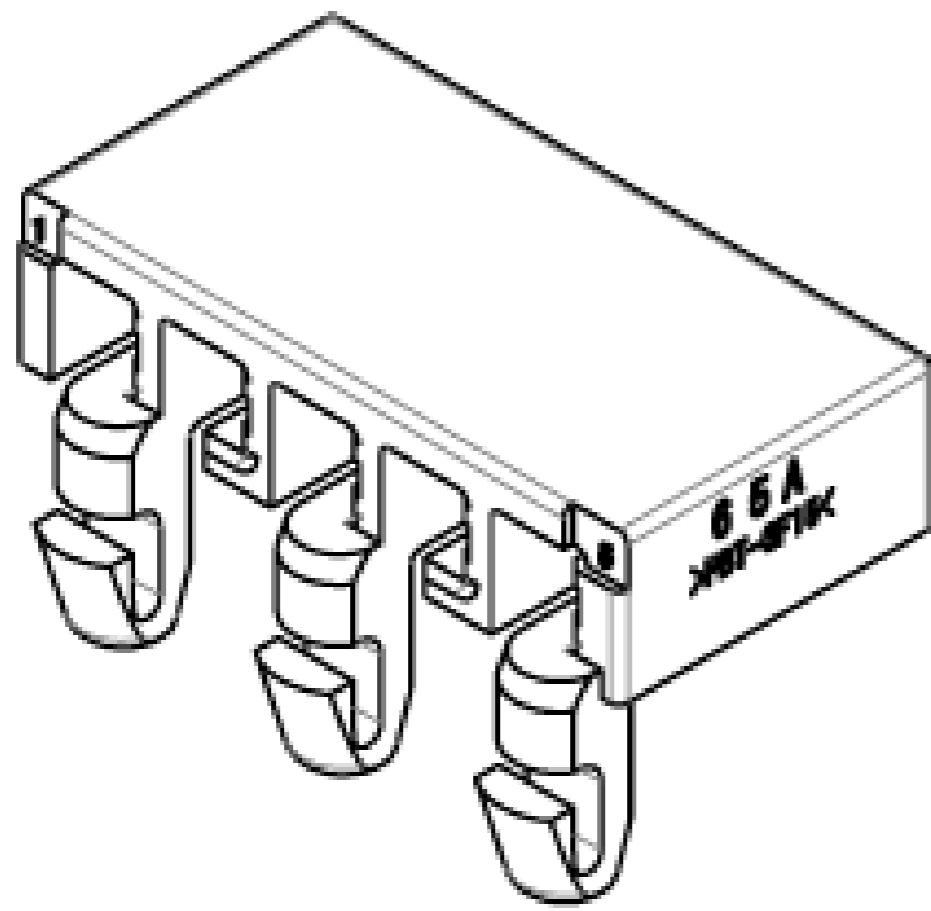
IARPB CONNECTOR 2P HOUSING
PARTS NO. V0125-91002-01



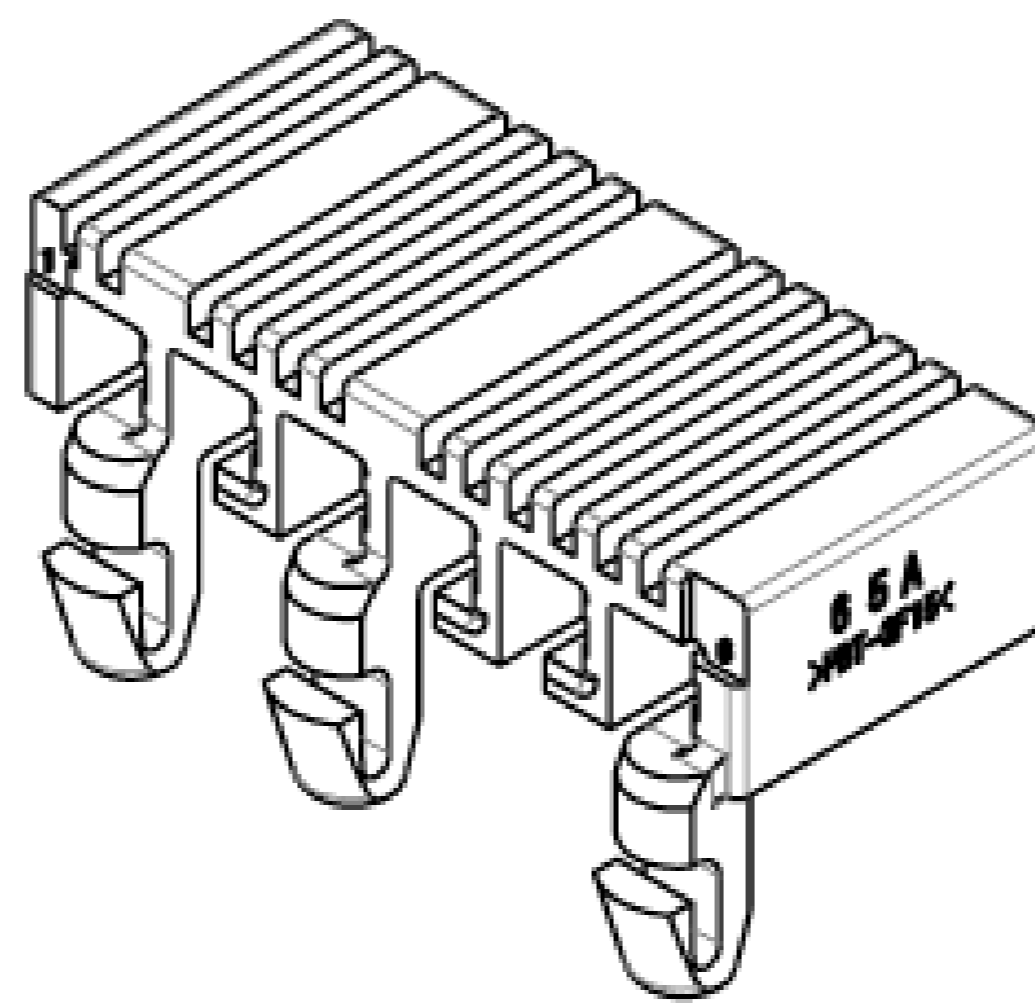
IARPB CONNECTOR 3P HOUSING
PARTS NO. V0125-91003-01



IARPB CONNECTOR 4P HOUSING
PARTS NO. V0125-91004-01



IARPB CONNECTOR 5P HOUSING
PARTS NO. V0125-91005-01

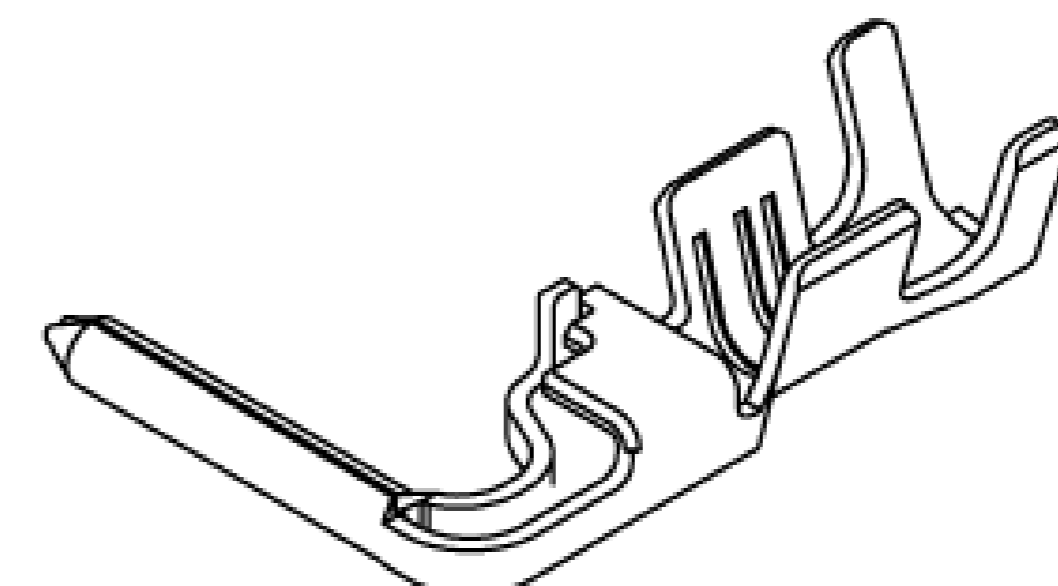
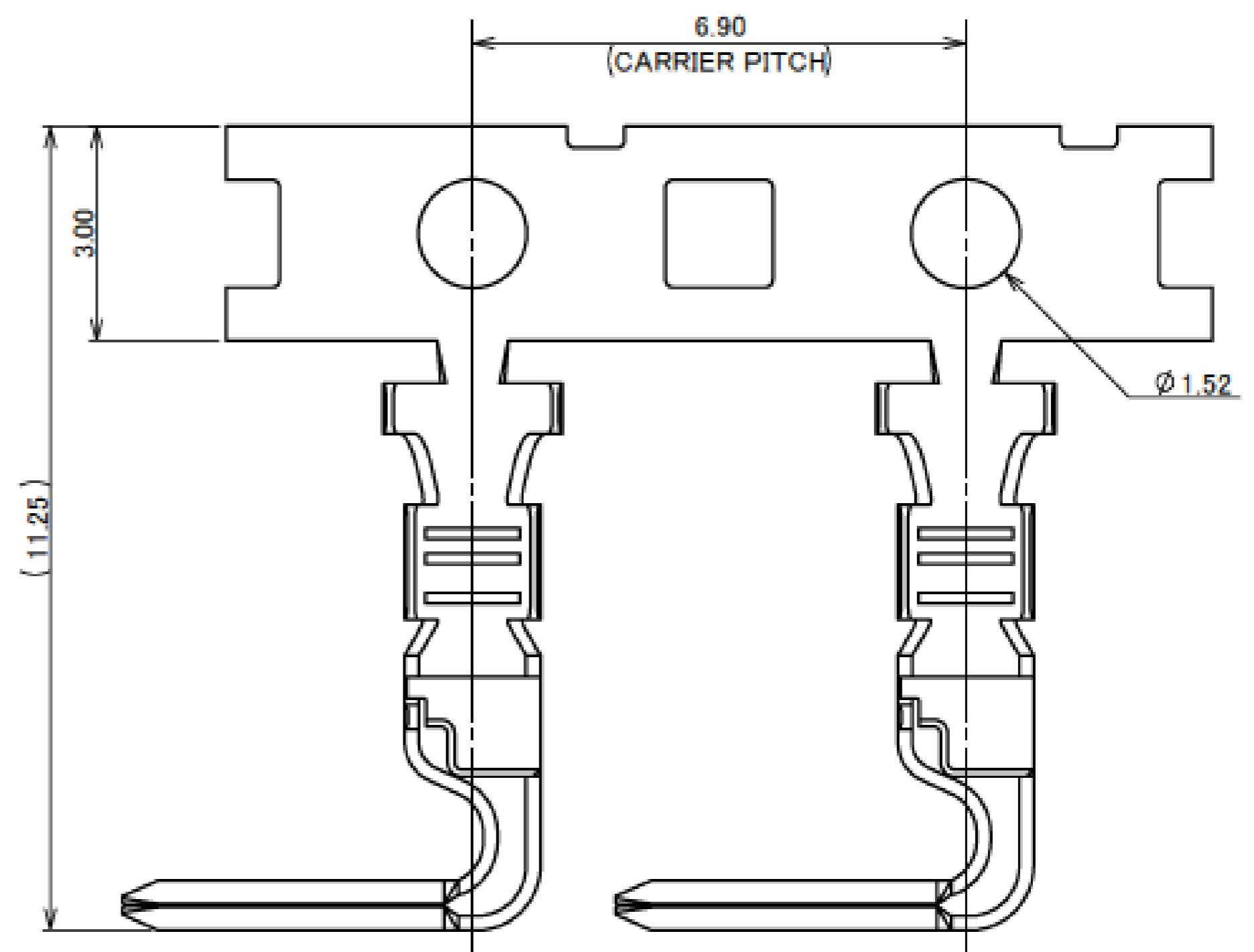
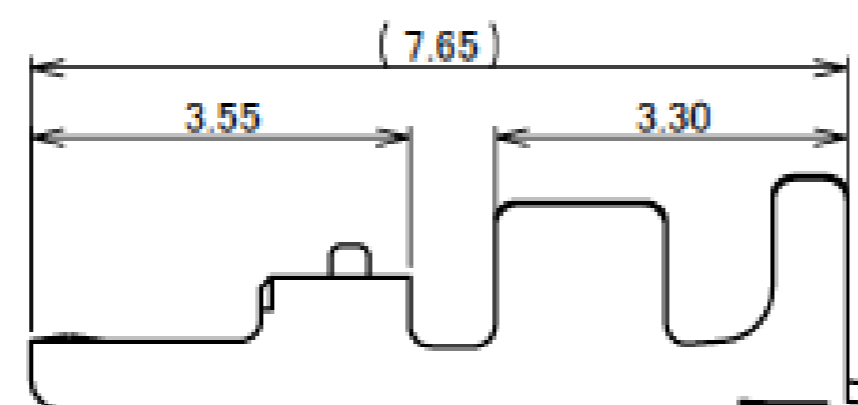
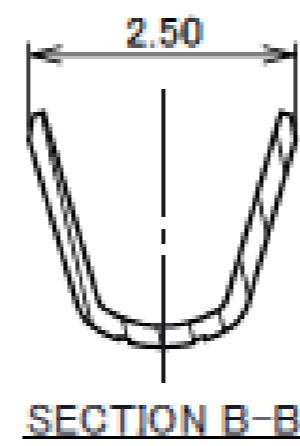
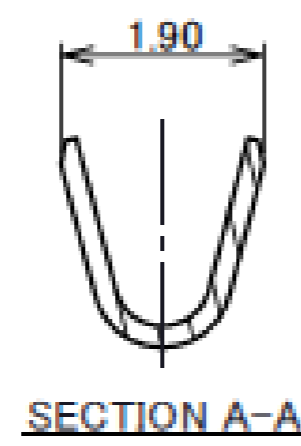
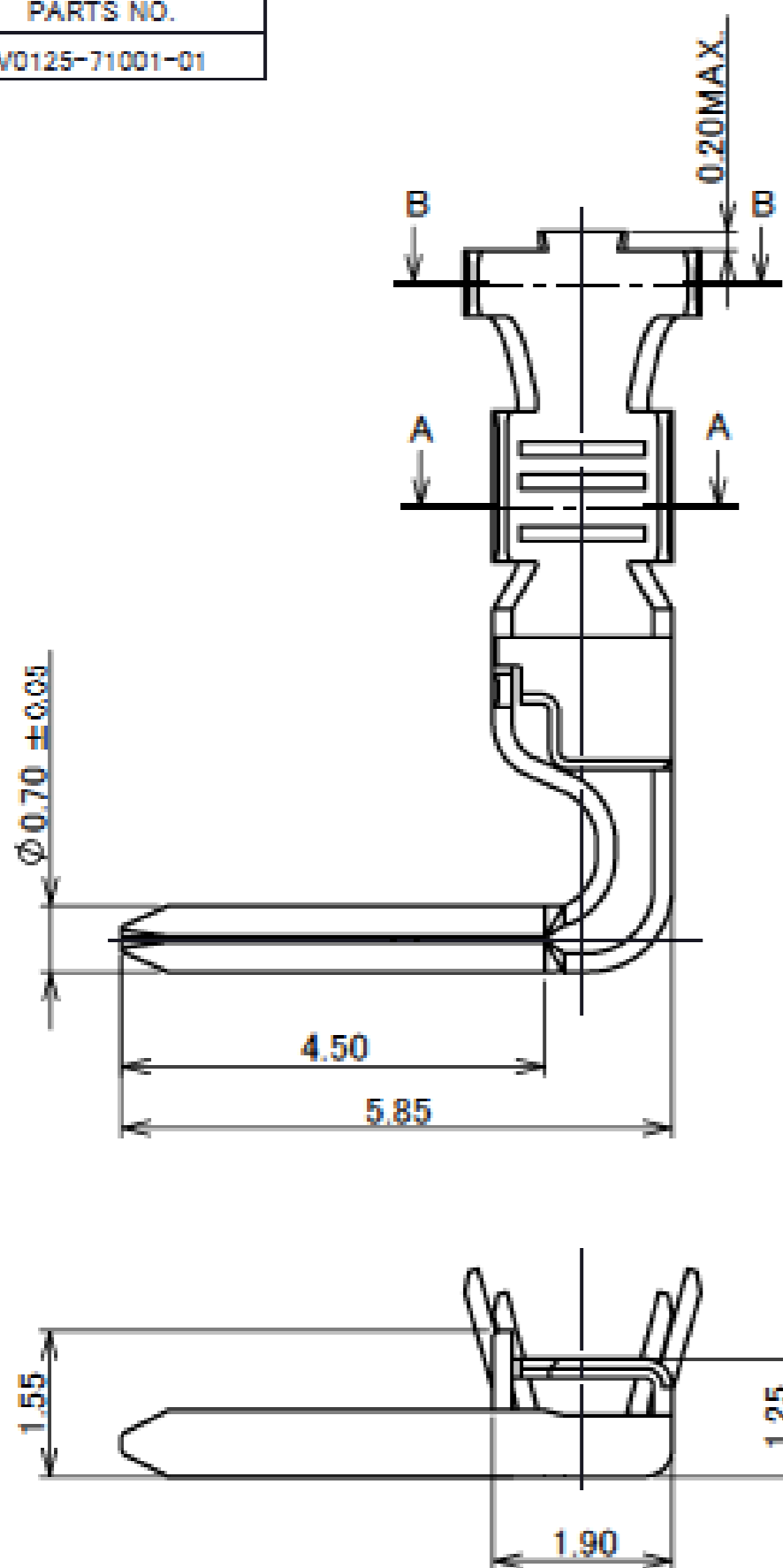


IARPB CONNECTOR 6P HOUSING
PARTS NO. V0125-91006-01

Rev.4

IARPB® CONNECTOR TERMINAL :

PARTS NO.
V0125-71001-01



ISOMETRIC VIEW
(10 : 1)

1	TERMINAL	BRASS	REFLOW Sn
NO.	DESCRIPTION	MATERIAL	FINISH/COLOR/REMARKS

NOTE

- HOUSING...P/N 2P: V0125-91002-01
3P: V0125-91003-01
4P: V0125-91004-01
5P: V0125-91005-01
6P: V0125-91006-01
- CABLE: 0.3mm² (FINISHED ϕ 1.67mm MAX.)
- COMPLY WITH ELV/RoHS
- PRODUCT SPECIFICATION NO.: PSS-0037
- HANDLING MANUAL NO.: HDM-0025

Rev.4

Custom Products Available

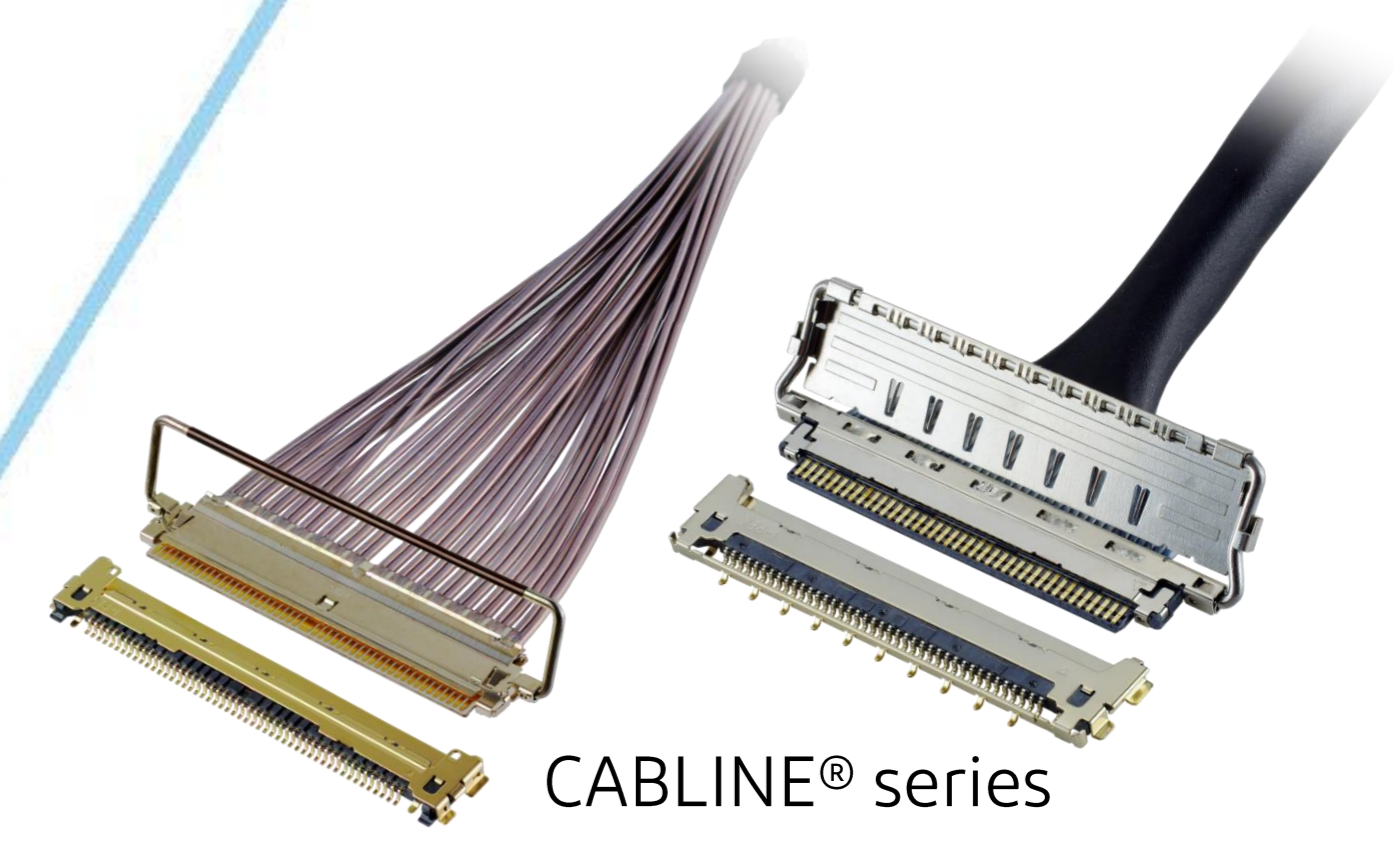
RF Connector

MHF® series



Micro-coaxial/Twinax/Discrete Wire Connector

CABLINÉ® series



Optical Module

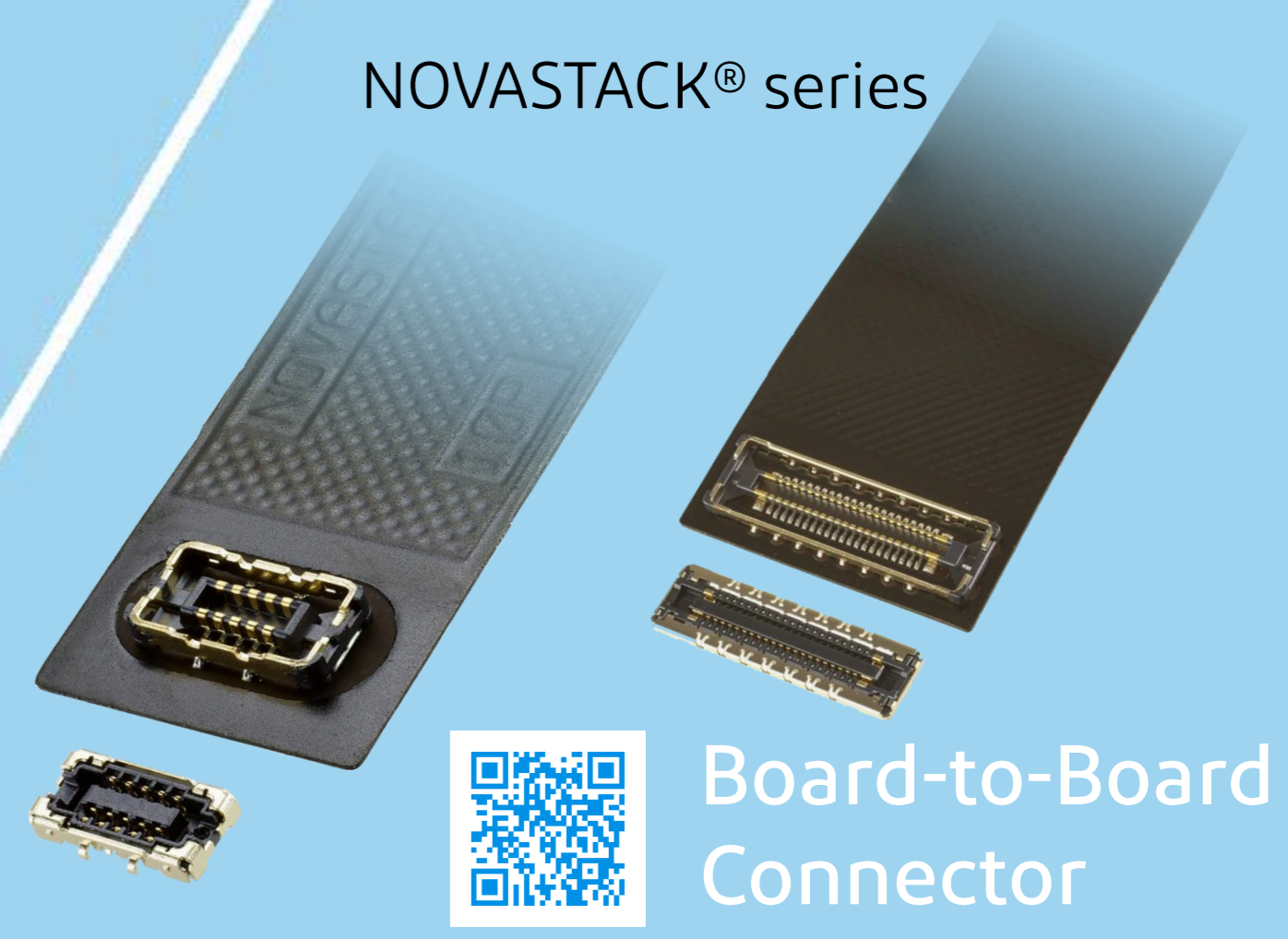
LIGHTPASS® series



NOVASTACK® series



Board-to-Board Connector



Power Connector/Terminal

AP series

ISH® series



MINIFLEX® series

EVAFLEX® series



FPC FFC Connector



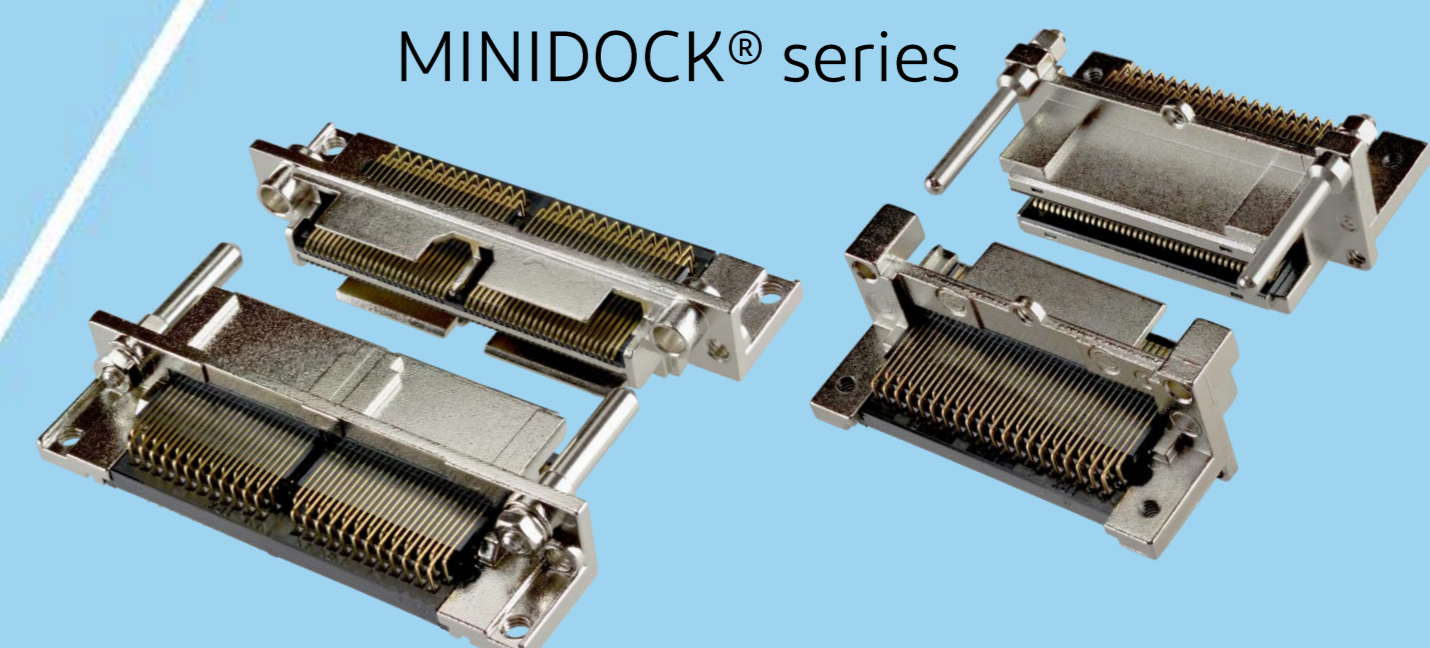
Inquiry



MINIDOCK® series



I/O Connector



I-PEX, MHF, CABLINE, LIGHTPASS, NOVASTACK, ISH, IARPB, MINIFLEX, EVAFLEX, MINIDOCKS and ZenShield are registered trademarks of I-PEX Inc. Please note that the contents in the catalog might be changed without prior notification. I-PEX Inc. assumes no responsibility for any inaccuracies or obligation to update information on these documents. Please be sure to read and understand the latest "Precautions for Use" and "Instruction Manual" before you use our products. We shall not be responsible for any defects, damages or troubles in case you use our products without following the precautions for use. Please feel free to contact our sales representatives when you use our products for any applications that require very high reliability and safety, or that relate to human life (ex. nuclear power control, aerospace, transportation, medical equipment, safety equipment etc.).

Contact your sales representative or more detailed information.

www.i-pex.com



I-PEX

© I-PEX Inc. 2024
All rights reserved