

IARPB[®] (Horizontal Type)

내진동성에 우수한 전선 대 기판 커넥터

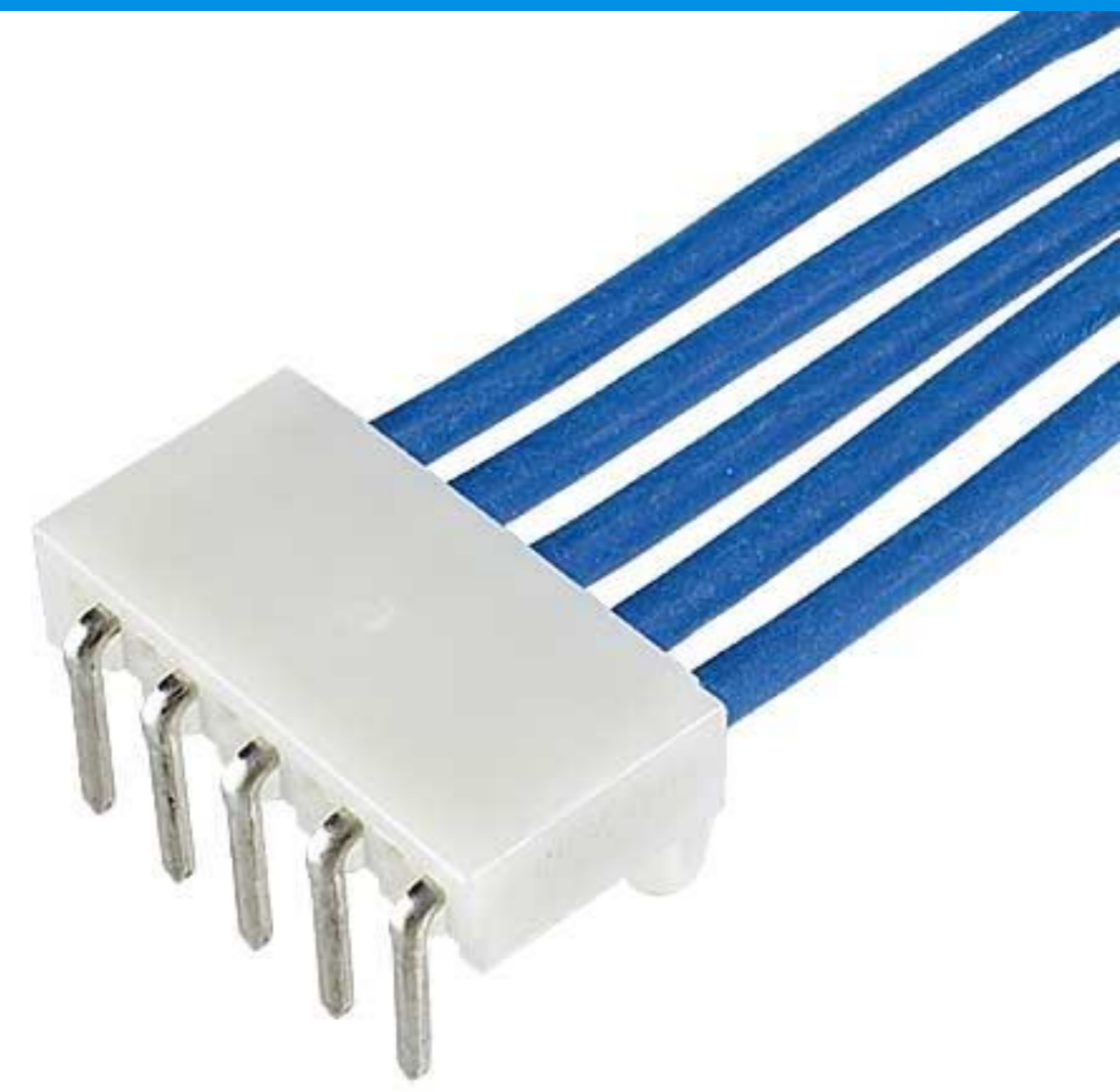
Product Specifications:

Pitch (mm max.)	2.5	
Contact Size (mm)	φ0.7	
Mounted Height (mm)	3.30 (2,3,4,5P) 3.80 (6P)	
Width formula (mm)	Single row: 1.2+2.5*?pin	
Operating Temperature	-40 - 125°C	
Vibration Resistance	10G	
Current Rating	3A per pin	
Voltage Rating	250V	
Withstand Voltage	AC 1000V/minute	
Plating	Sn	
Housing	PBT GF15	
Pin counts	Range	Up to 6
	Available	2, 3, 4, 5, 6

Applicable Cable Size:

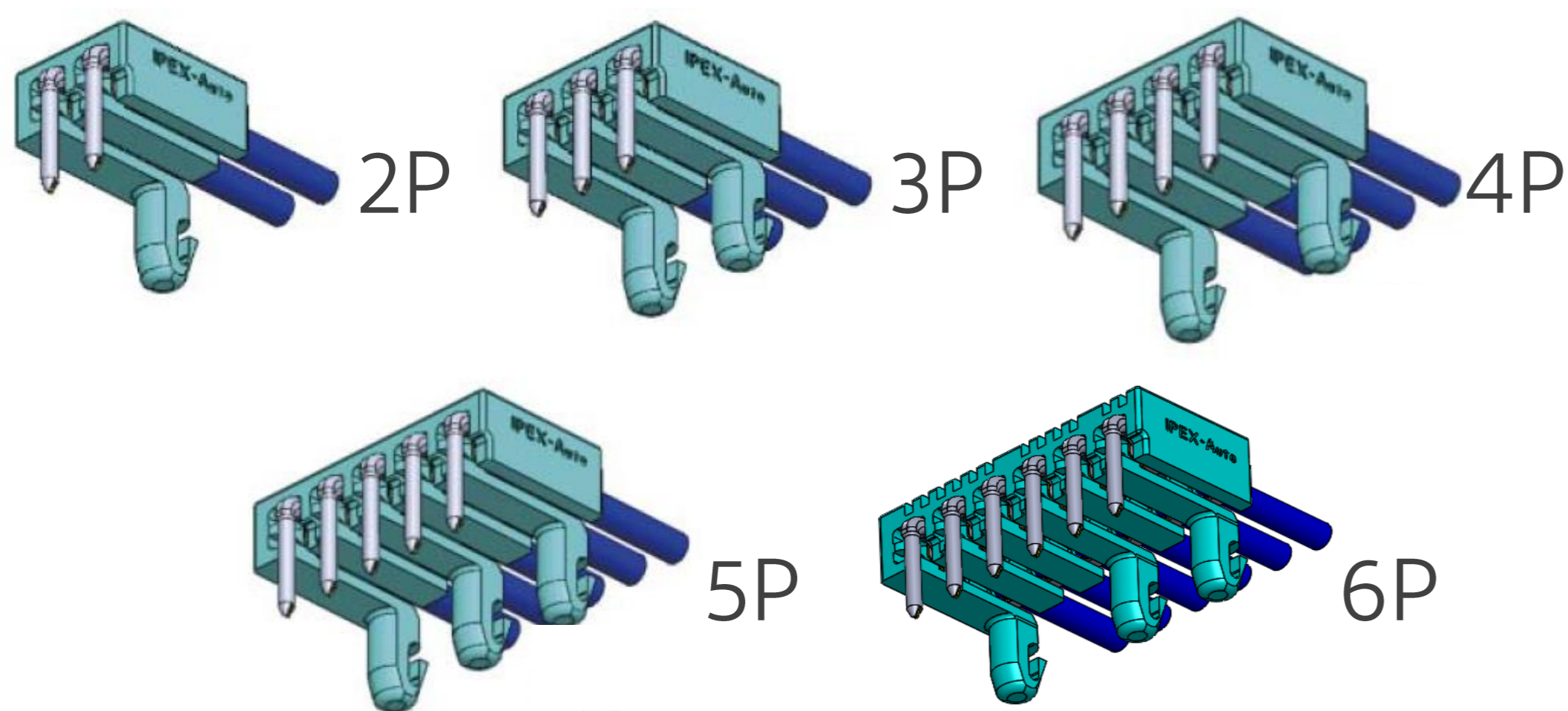
AWG#22 *Insulation Diameter 1.67 mm max.

* 핀수가 없거나 핀수 범위를 벗어나는 경우 문의해 주십시오.

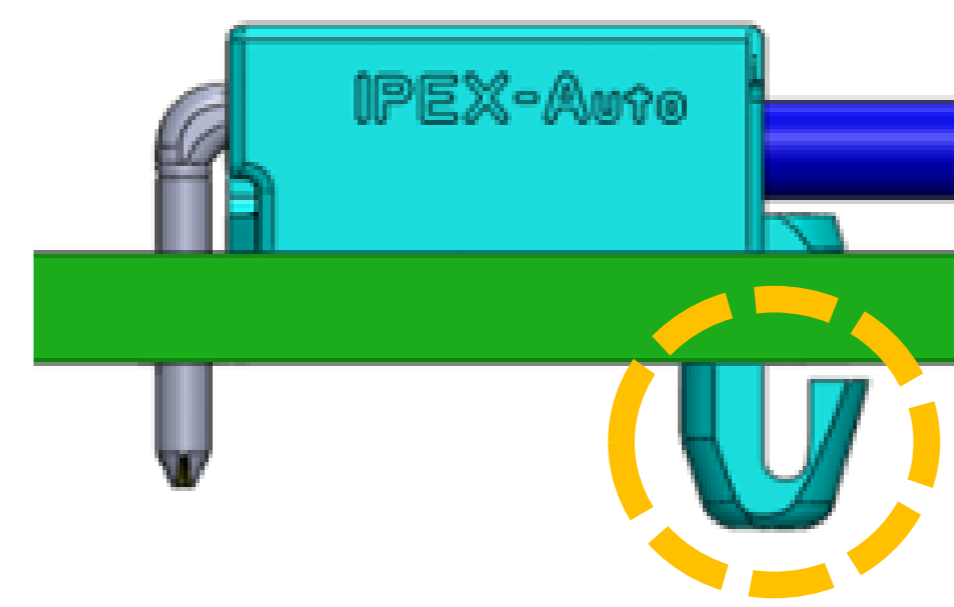


▶ 하우징의 포스트 구조에 의한 뛰어난 내진동성

하우징에 보스를 위치시켜 진동 상황에서의 성능 향상

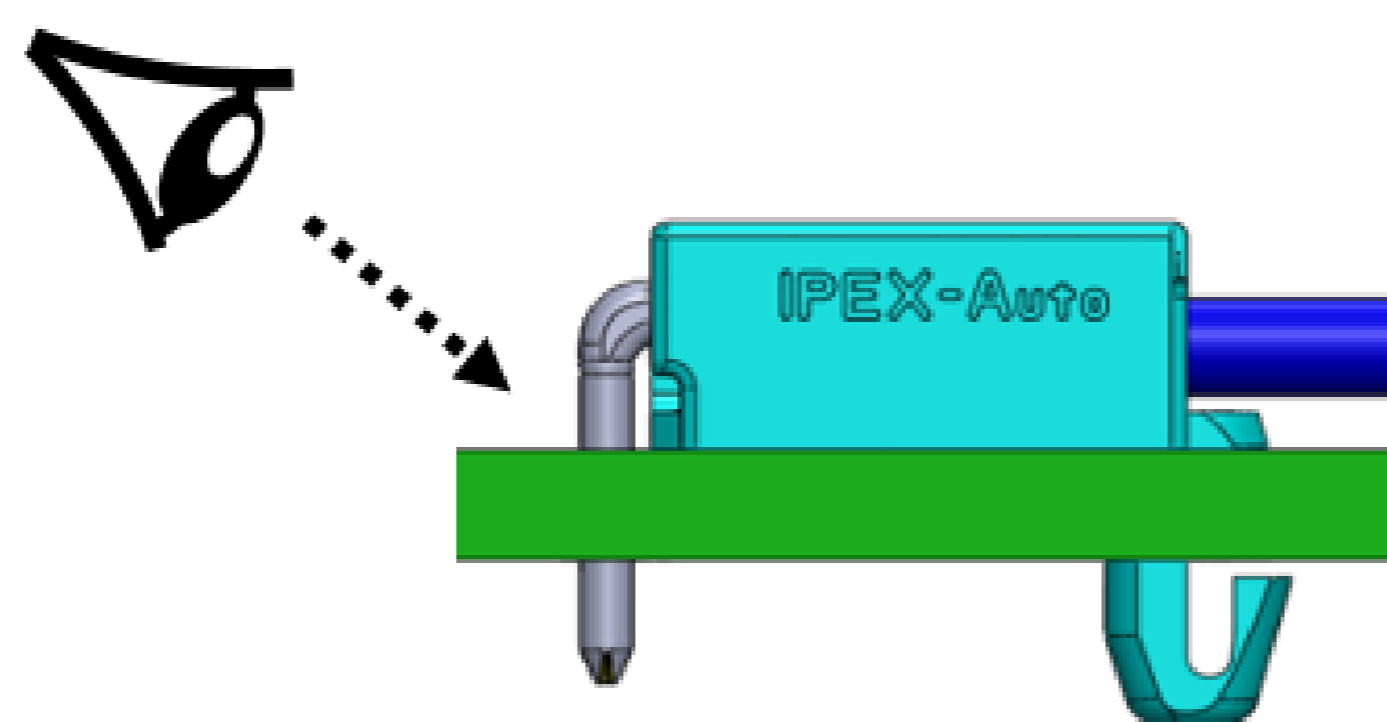


위치된 보스는 하우징을 제 위치에 고정시키고 x-y-z 축 상의 진동에 의해 터미널에 가해지는 스트레스 방지



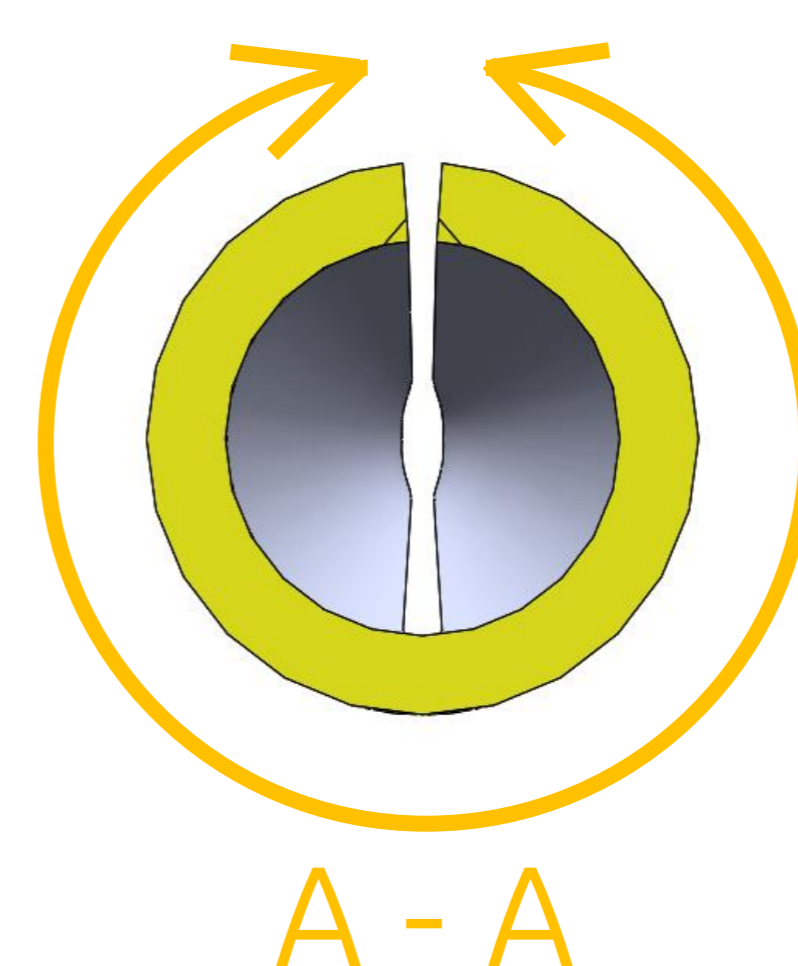
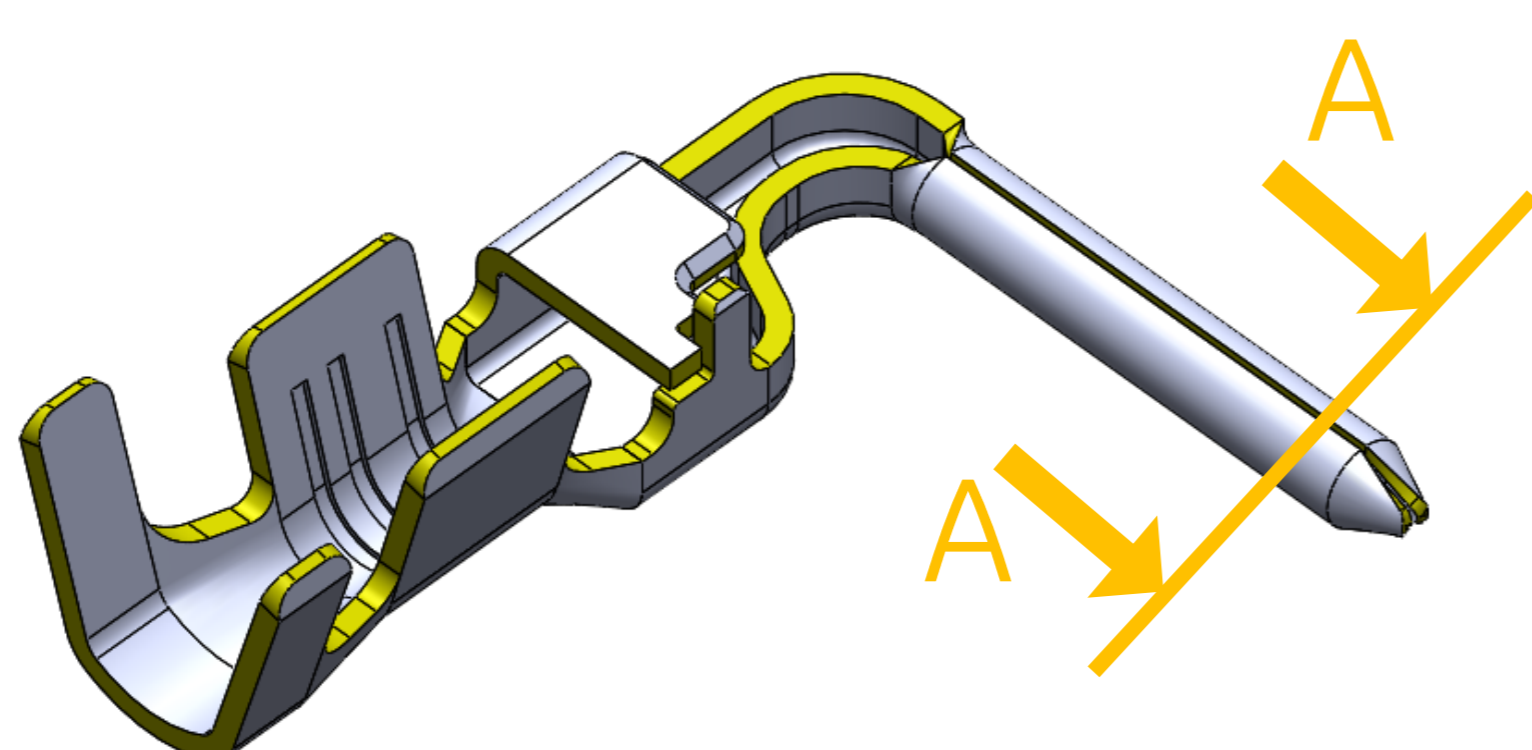
▶ 시인성이 뛰어난 구조로 효율성 있는 실장 작업 가능

장착 시 단자가 보이므로 단자 변형 위험 감소
납땜 후 검사하기가 쉬워 검사 비용 절감
PCB상단 또는 하단에서 납땜 가능



▶ 안정된 납땜성을 실현하는 도금 사양

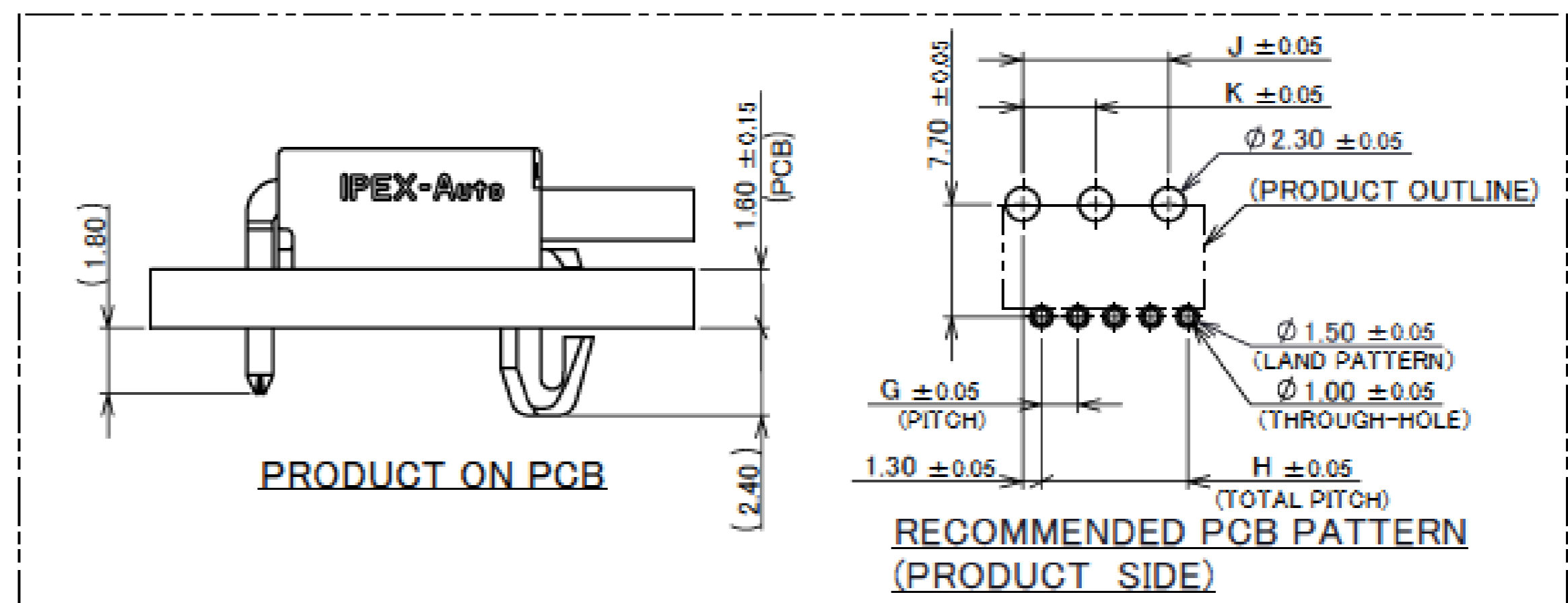
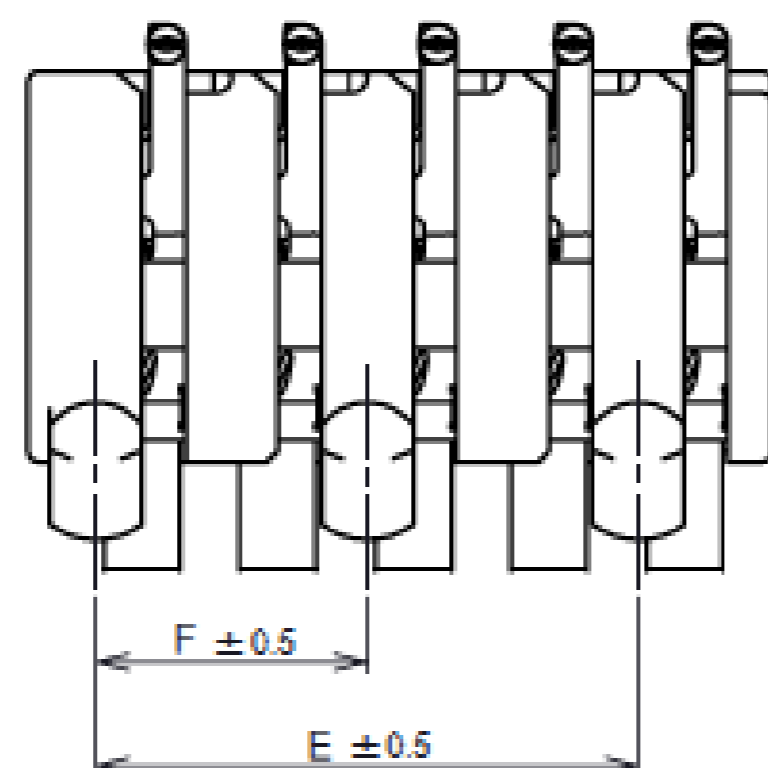
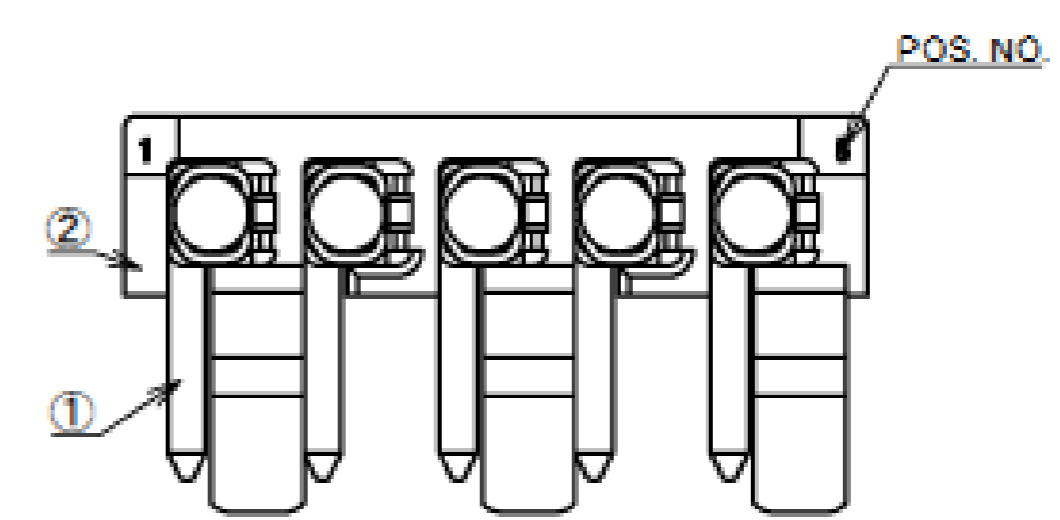
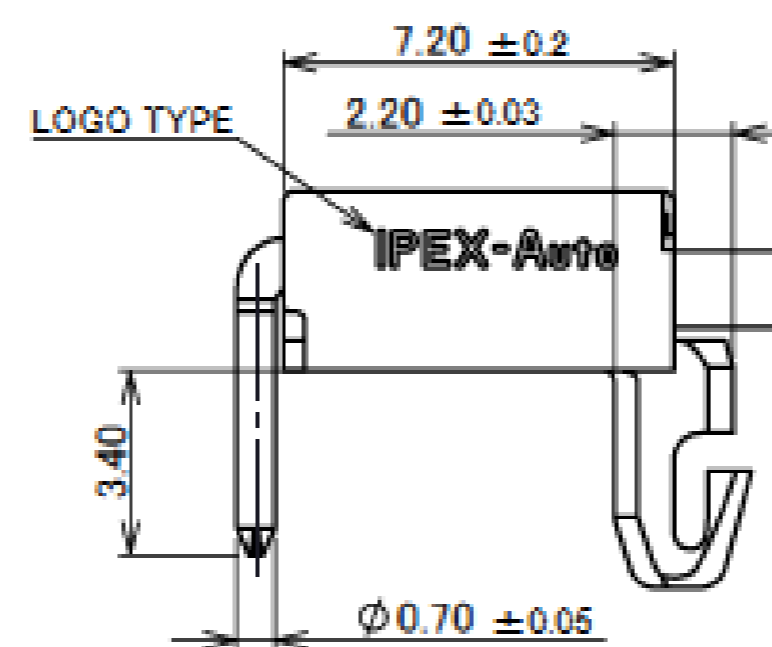
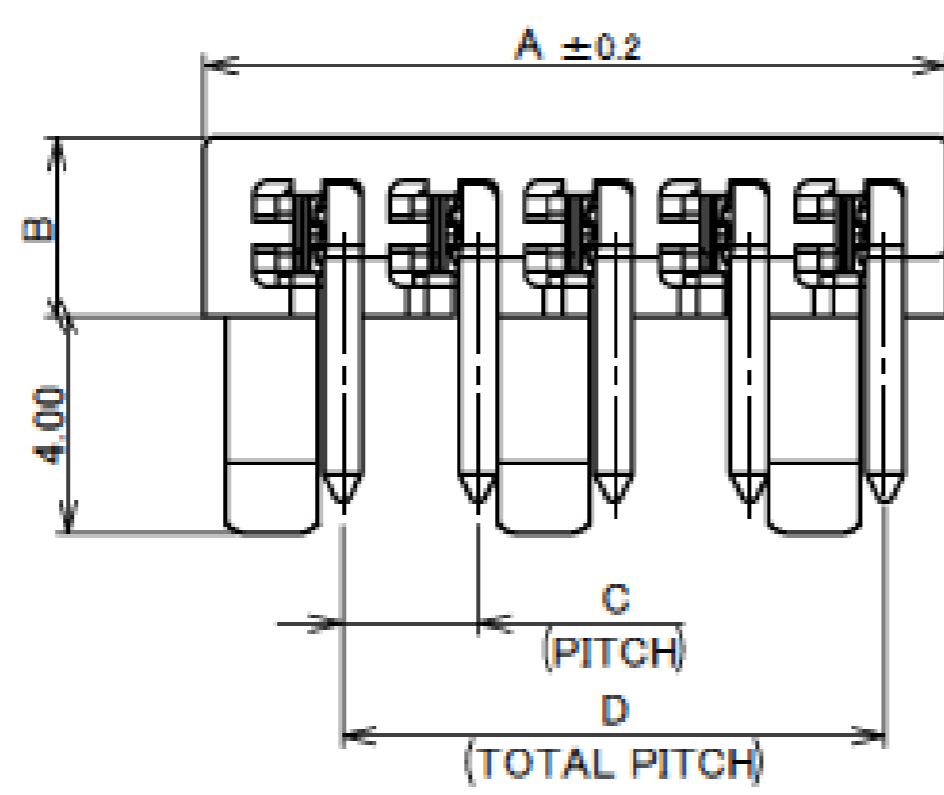
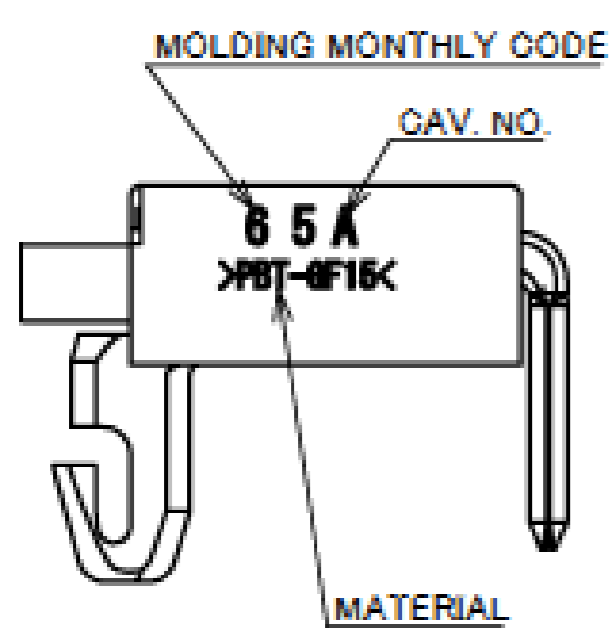
미리 주석 도금된 단자가 구부러져 있어 높은 납땜성을 가짐



Component Parts Details

IARP® CONNECTOR ASS'Y:

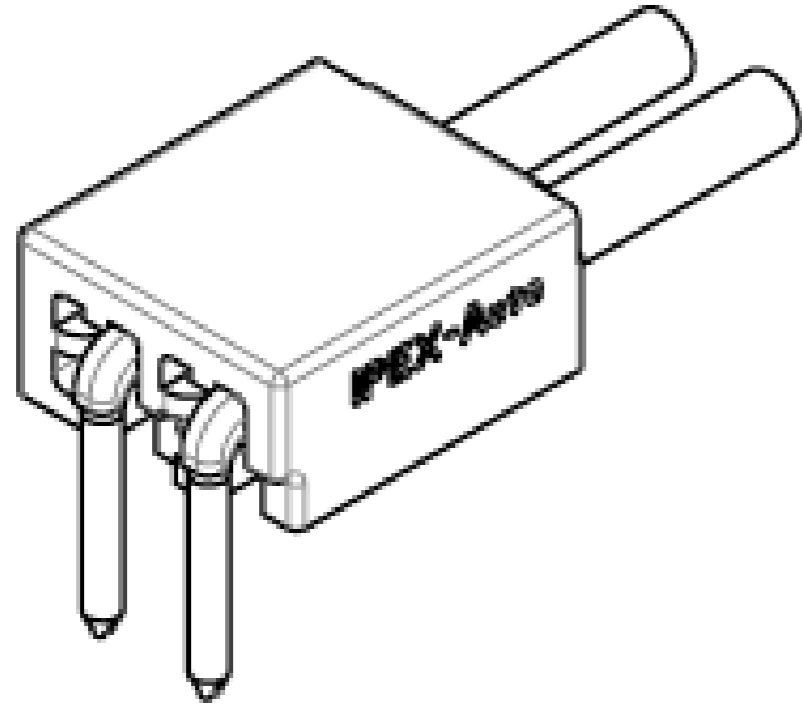
VARIATIONS	SET PARTS NO.	A	B	C	D	E	F	G	H	J	K
2P	V0125-002A-01	6.20	3.30	-	2.50	-	-	-	2.50	-	-
3P	V0125-003A-01	8.70	3.30	2.50	5.00	5.00	-	2.50	5.00	5.00	-
4P	V0125-004A-01	11.20	3.30	2.50	7.50	7.50	-	2.50	7.50	7.50	-
5P	V0125-005A-01	13.70	3.30	2.50	10.0	10.0	5.00	2.50	10.0	10.0	5.00
6P	V0125-006A-01	16.20	3.80	2.50	12.5	12.5	7.50	2.50	12.5	12.5	7.50



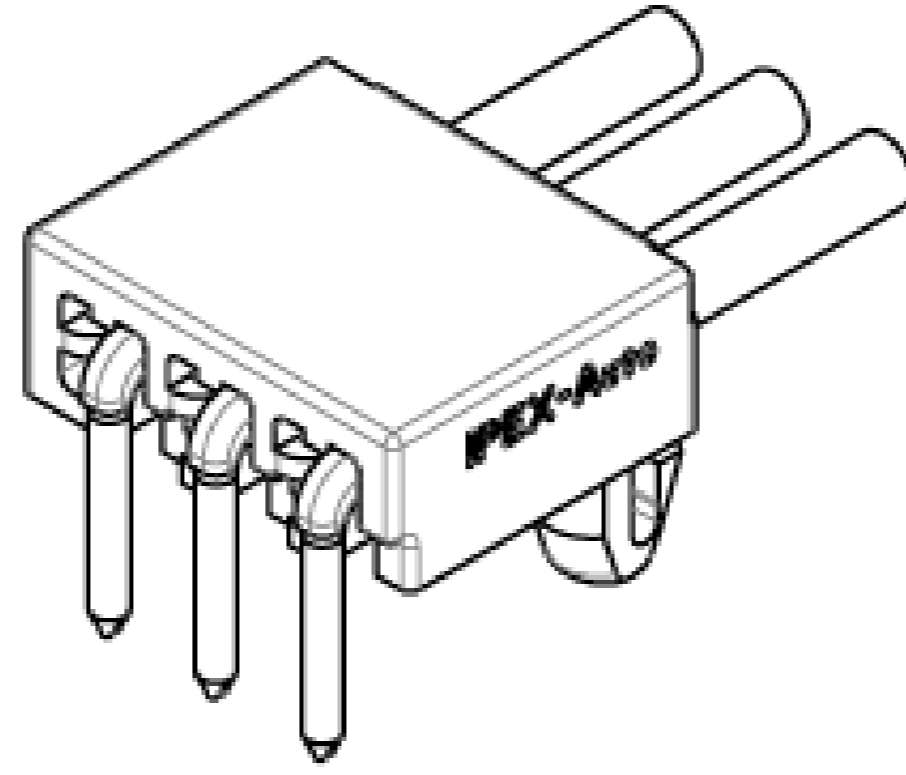
NO.	DESCRIPTION	MATERIAL	FINISH/COLOR/REMARKS
2	HOUSING	GLASS FILLED PBT	NATURAL
1	TERMINAL	BRASS	REFLOW Sn

- NOTE
1. CABLE: 0.3mm² (FINISHED Φ 1.67mm MAX.)
 2. COMPLY WITH ELV/RoHS
 3. PRODUCT SPECIFICATION NO.: PSS-0037
 4. HANDLING MANUAL NO.: HDM-0025

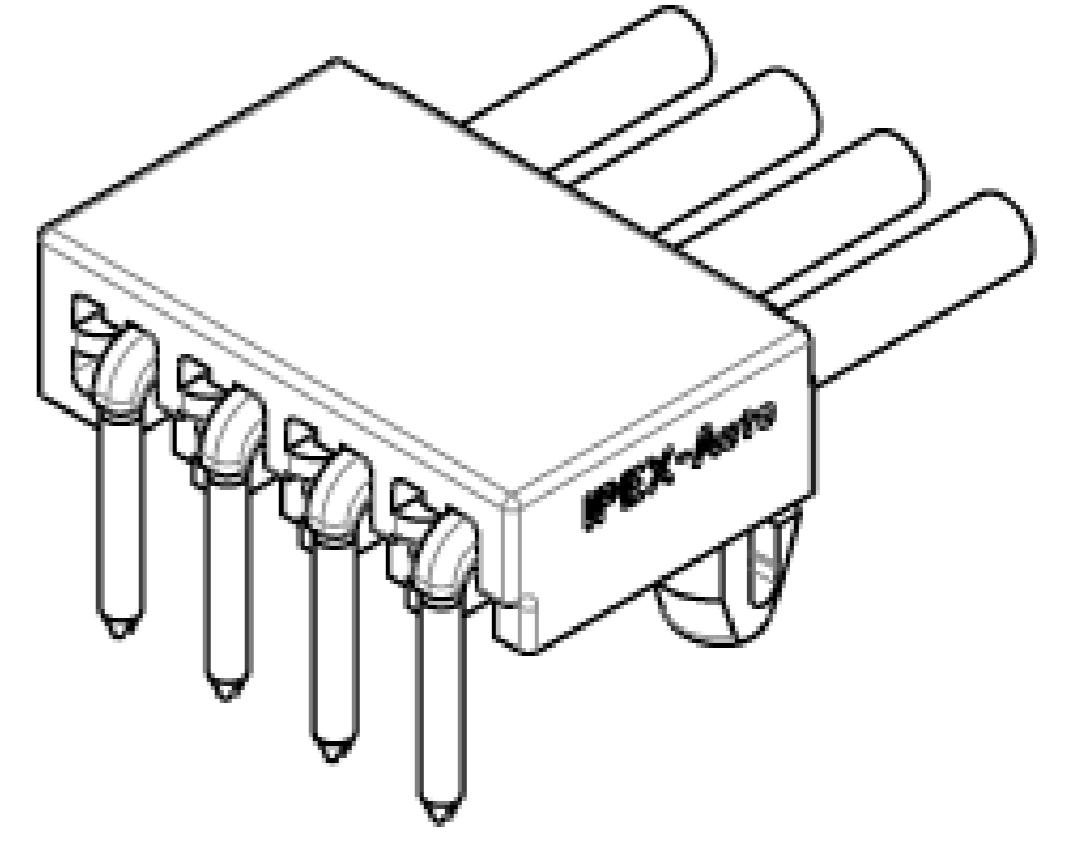
IARPB® CONNECTOR ASS'Y:



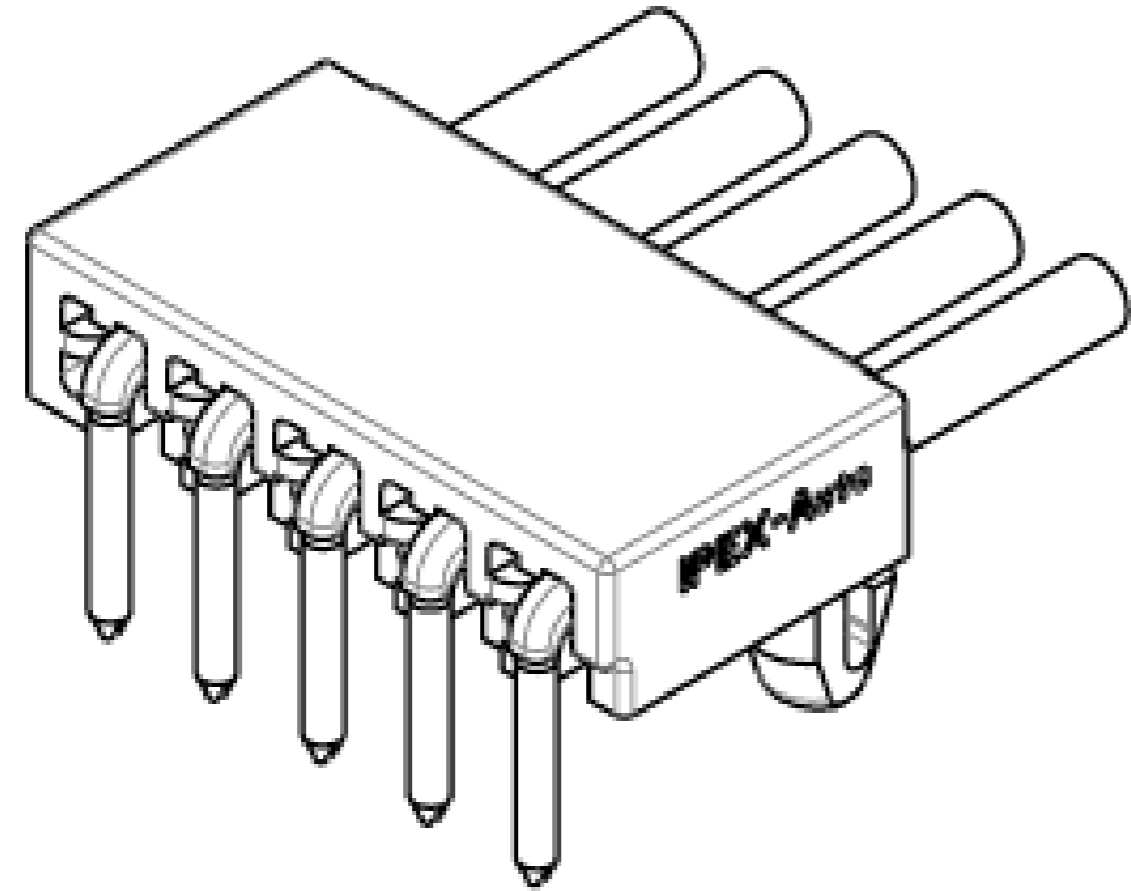
IARPB CONNECTOR 2P
SET PARTS NO. V0125-002A-01



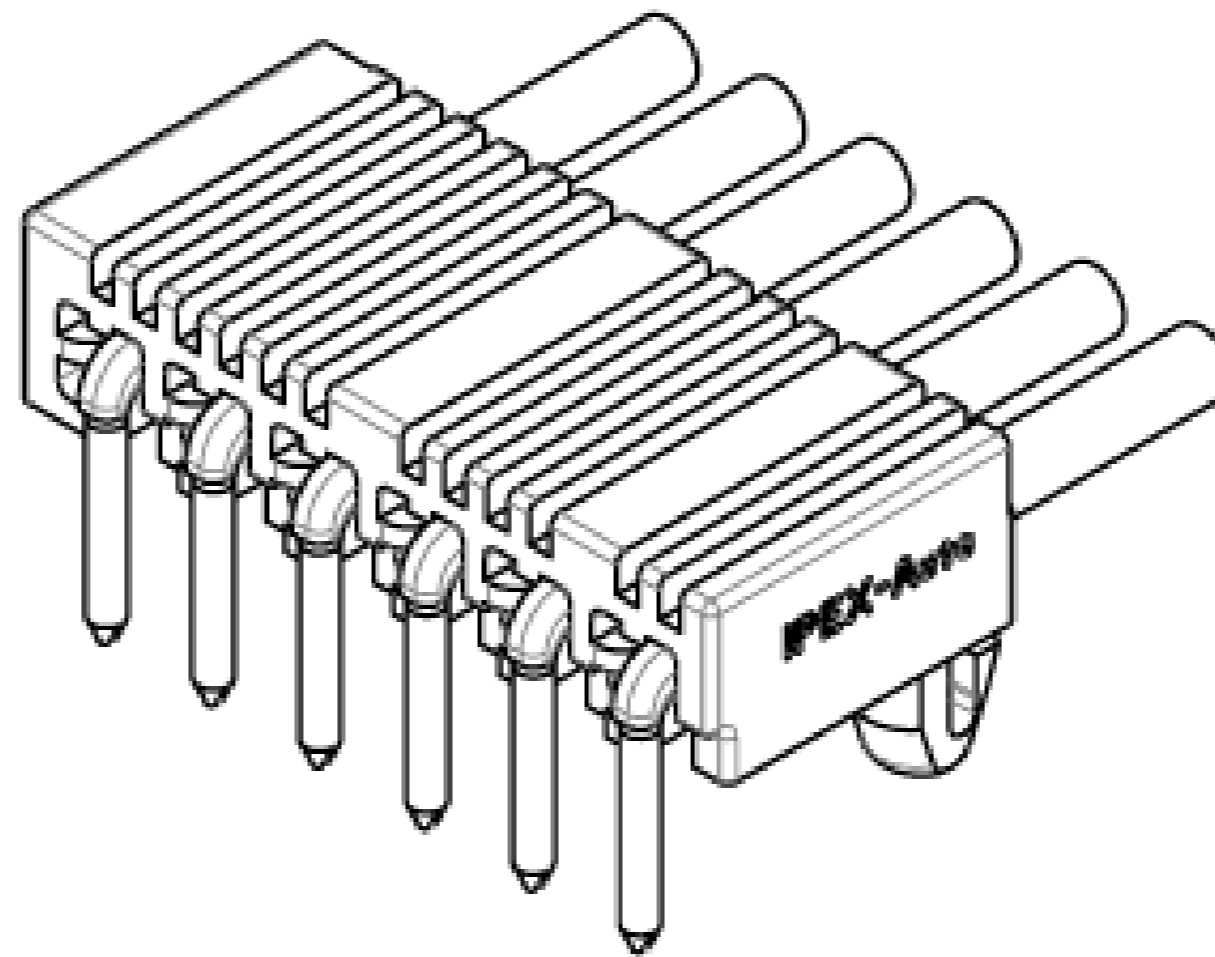
IARPB CONNECTOR 3P
SET PARTS NO. V0125-003A-01



IARPB CONNECTOR 4P
SET PARTS NO. V0125-004A-01



IARPB CONNECTOR 5P
SET PARTS NO. V0125-005A-01

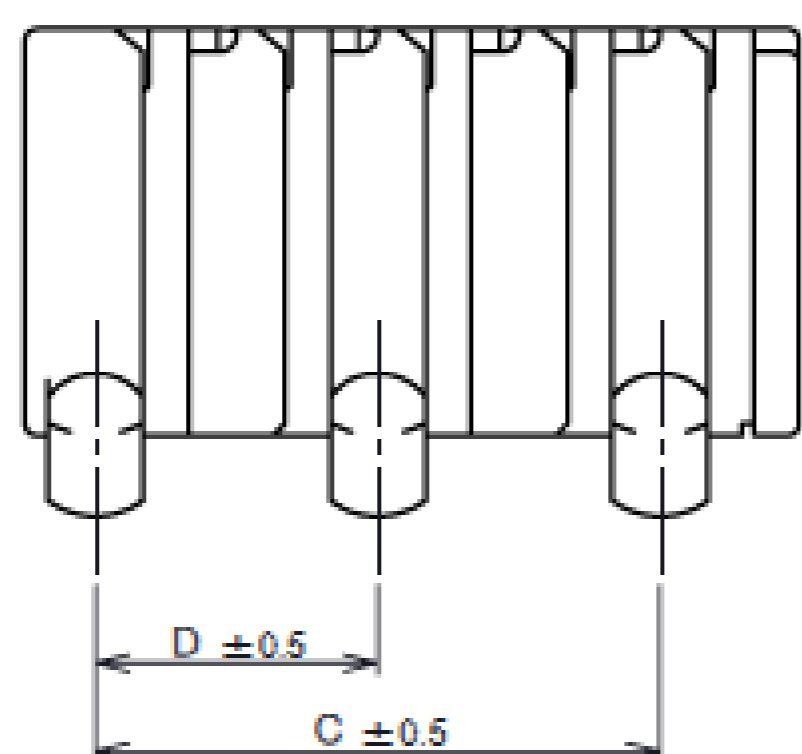
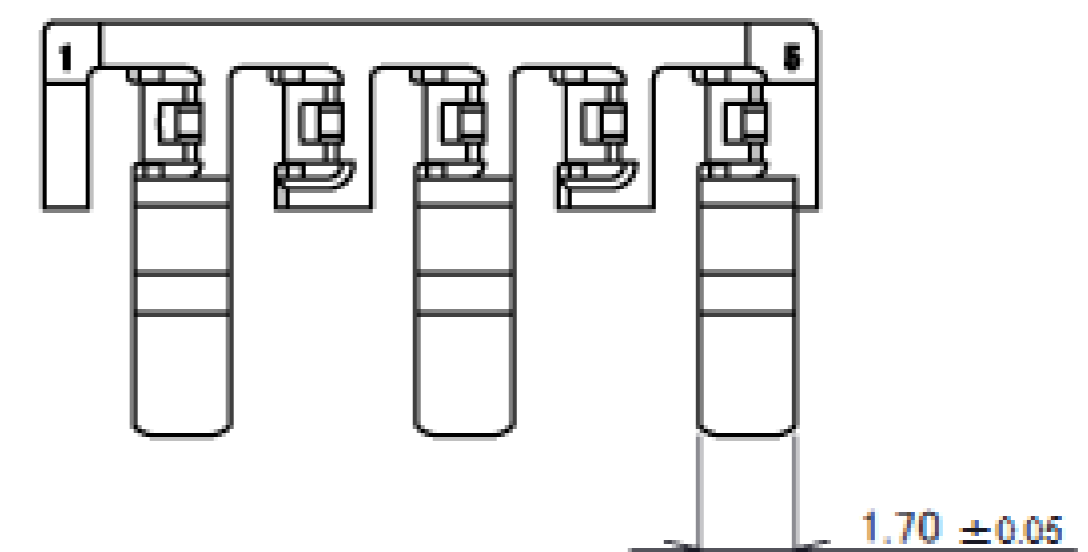
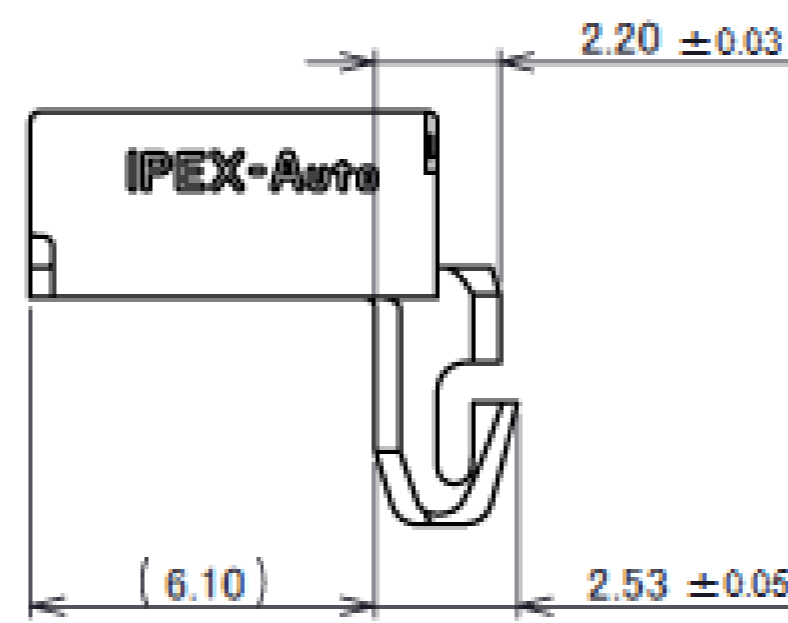
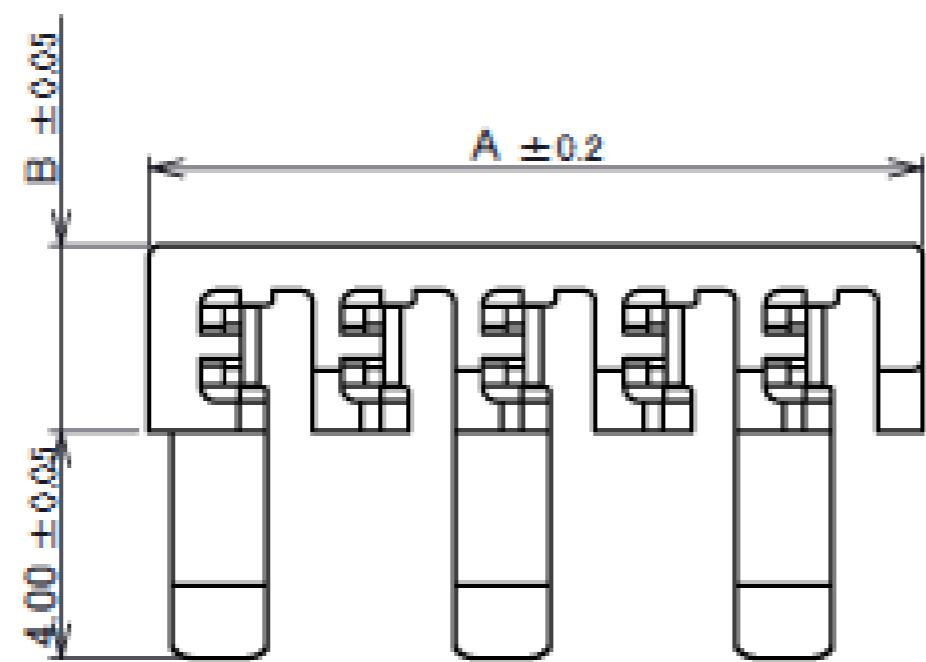
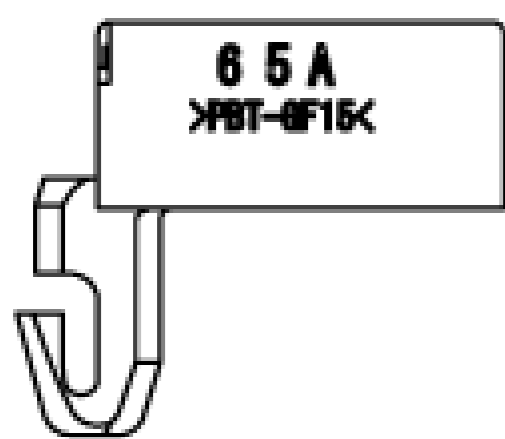
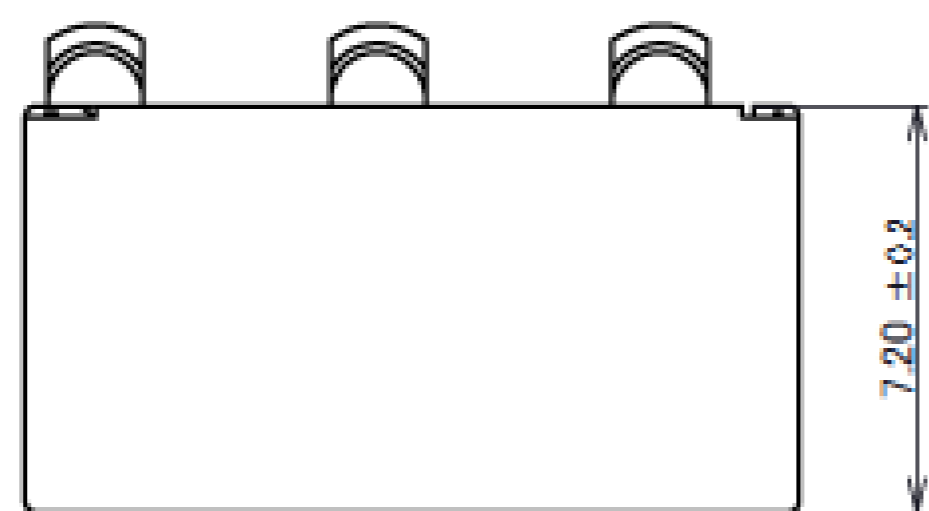


IARPB CONNECTOR 6P
SET PARTS NO. V0125-006A-01

Rev.4

IARPB® CONNECTOR HOUSING:

VARIATIONS	PARTS NO.	A	B	C	D
2P	V0125-91002-01	6.20	3.30	-	-
3P	V0125-91003-01	8.70	3.30	5.00	-
4P	V0125-91004-01	11.20	3.30	7.50	-
5P	V0125-91005-01	13.70	3.30	10.0	5.00
6P	V0125-91006-01	16.20	3.80	12.5	7.50

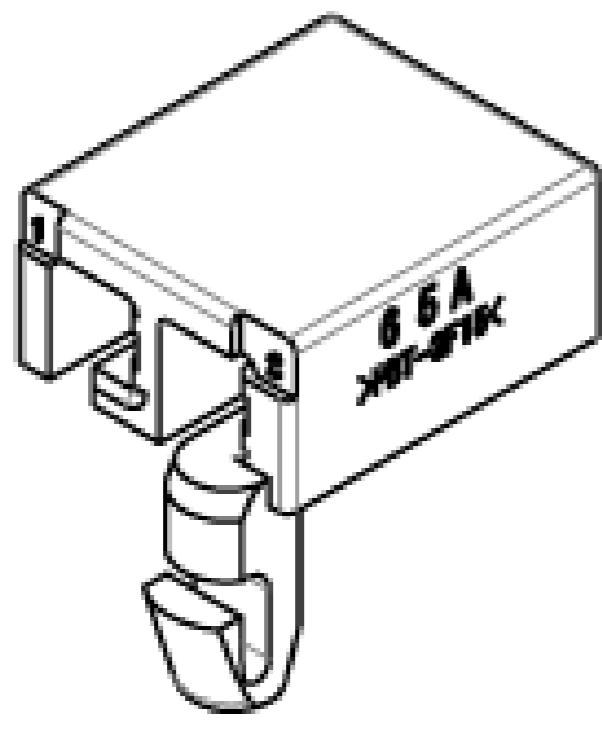


- NOTE
1. TERMINAL P/N: V0125-71001-01
 2. COMPLY WITH ELV/RoHS
 3. PRODUCT SPECIFICATION NO.: PSS-0037
 4. HANDLING MANUAL NO.: HDM-0025

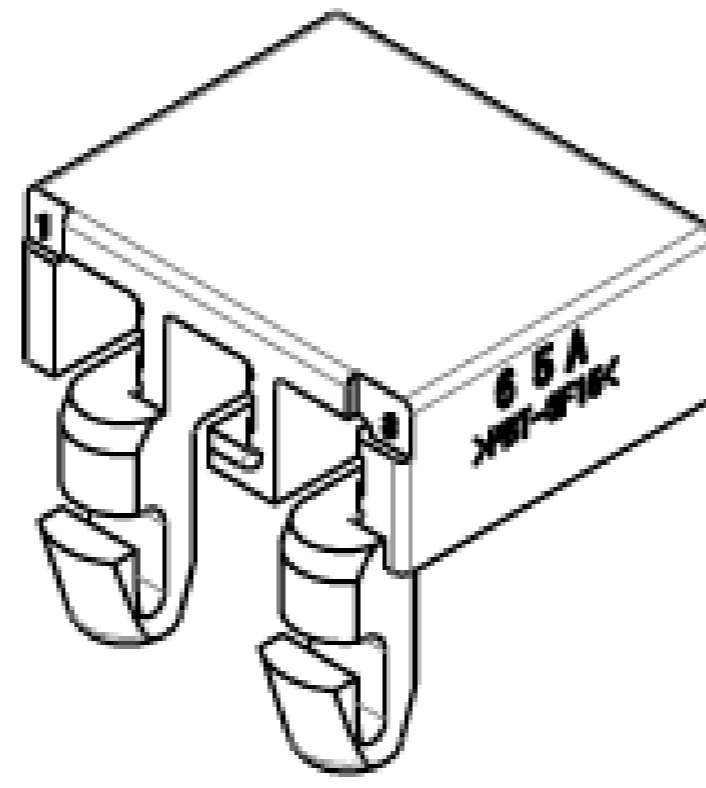
NO.	DESCRIPTION	MATERIAL	FINISH/COLOR/REMARKS
1	HOUSING	GLASS FILLED PBT	NATURAL

Rev.4

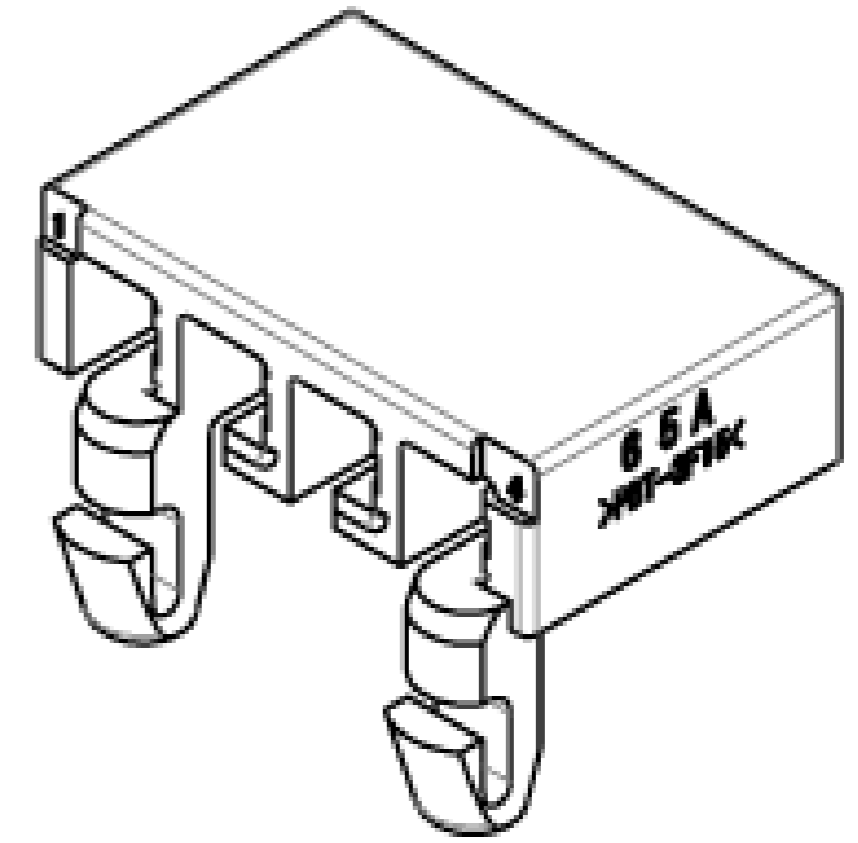
IARPB® CONNECTOR HOUSING:



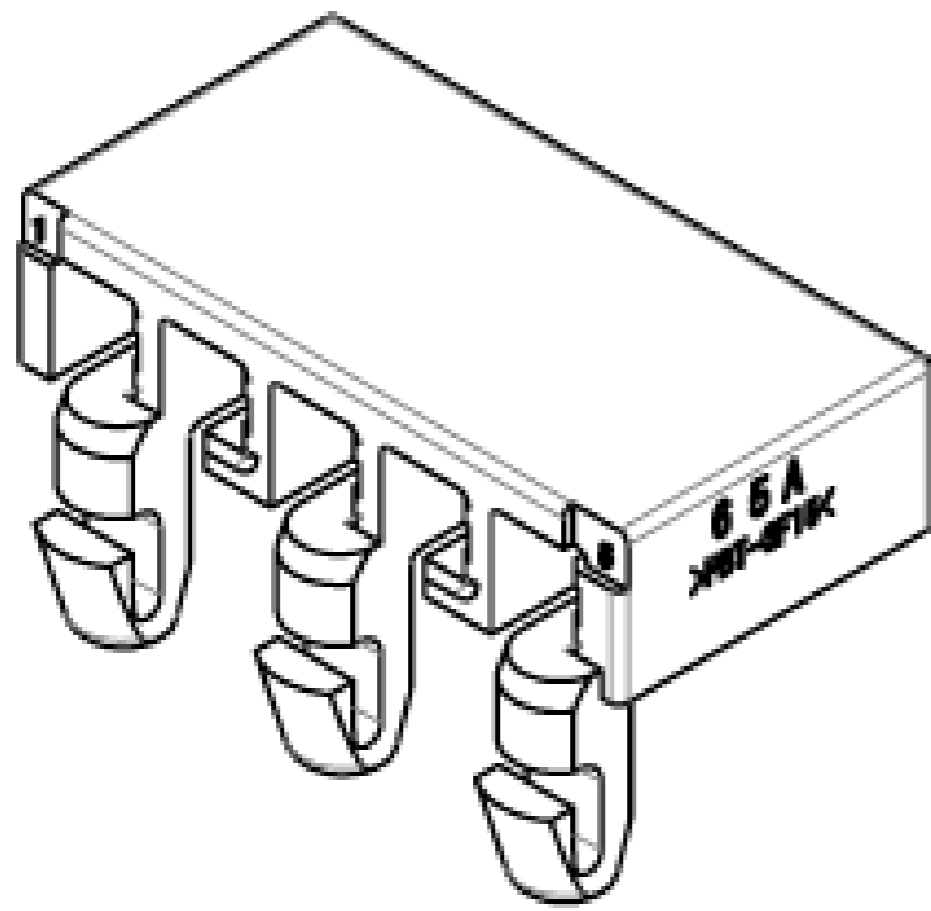
IARPB CONNECTOR 2P HOUSING
PARTS NO. V0125-91002-01



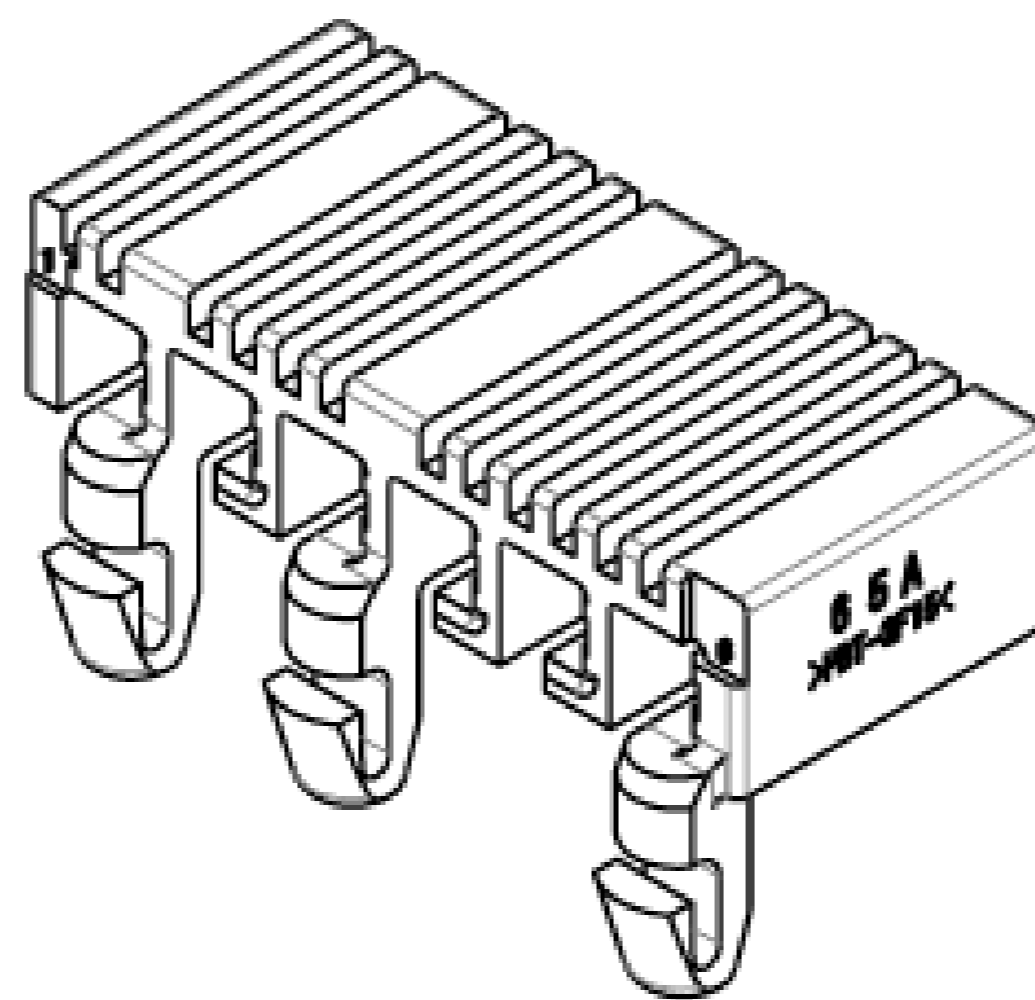
IARPB CONNECTOR 3P HOUSING
PARTS NO. V0125-91003-01



IARPB CONNECTOR 4P HOUSING
PARTS NO. V0125-91004-01



IARPB CONNECTOR 5P HOUSING
PARTS NO. V0125-91005-01

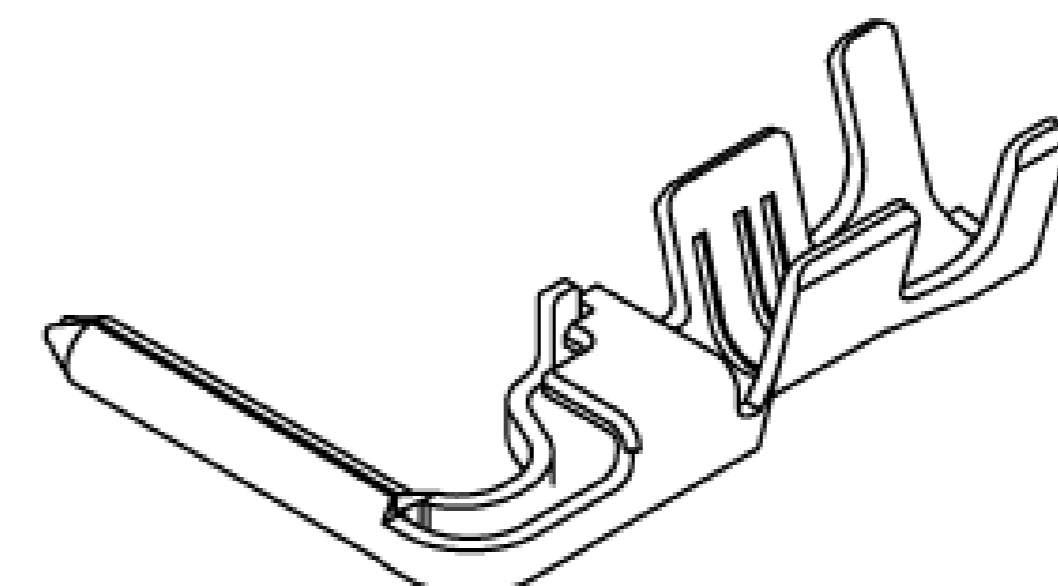
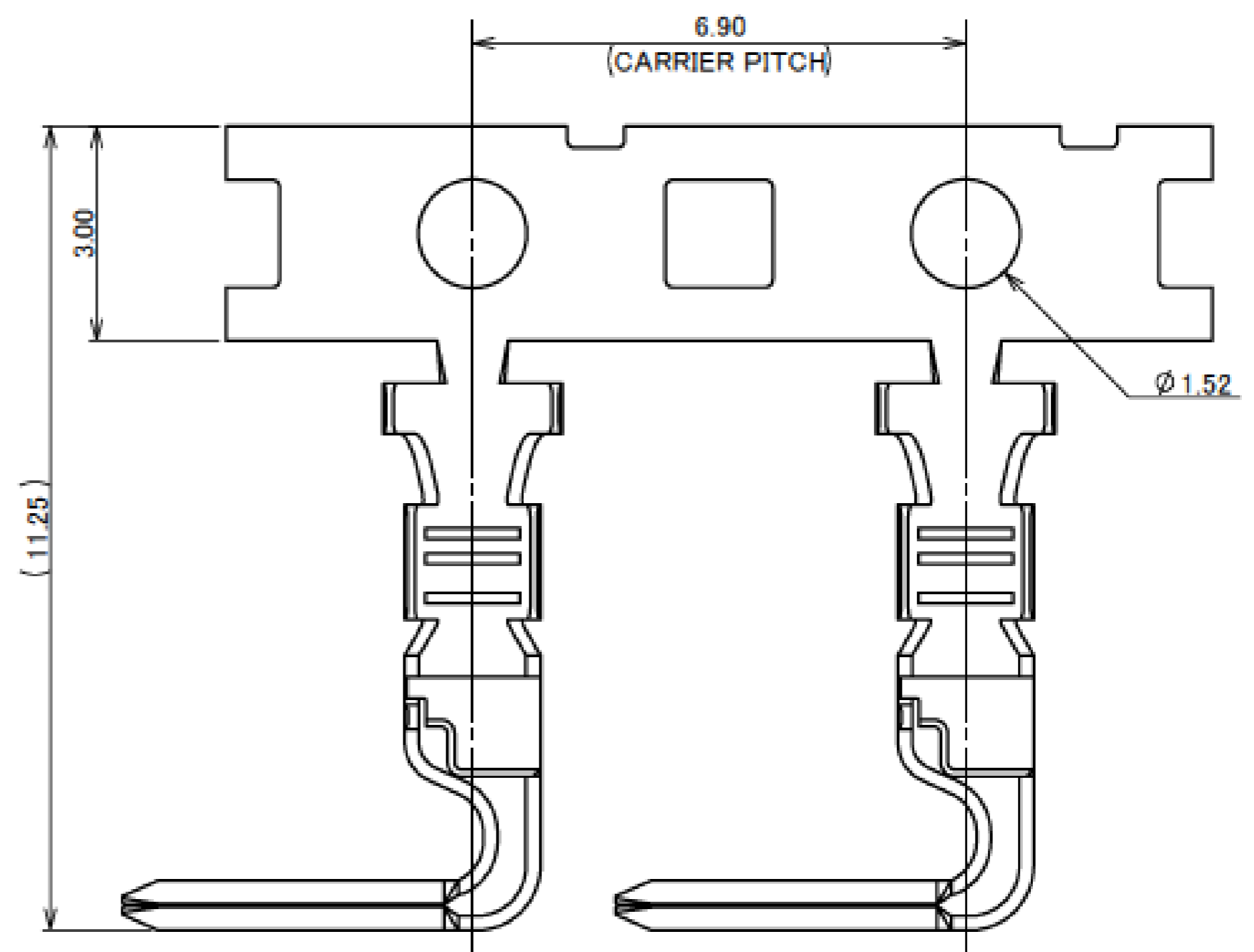
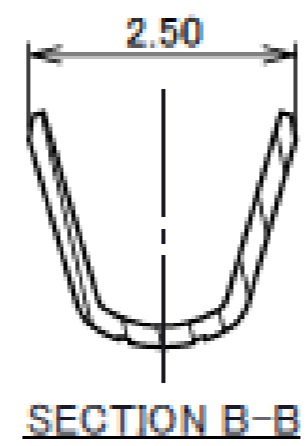
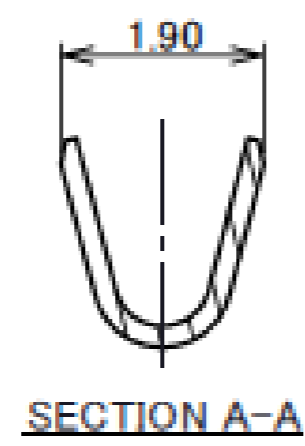
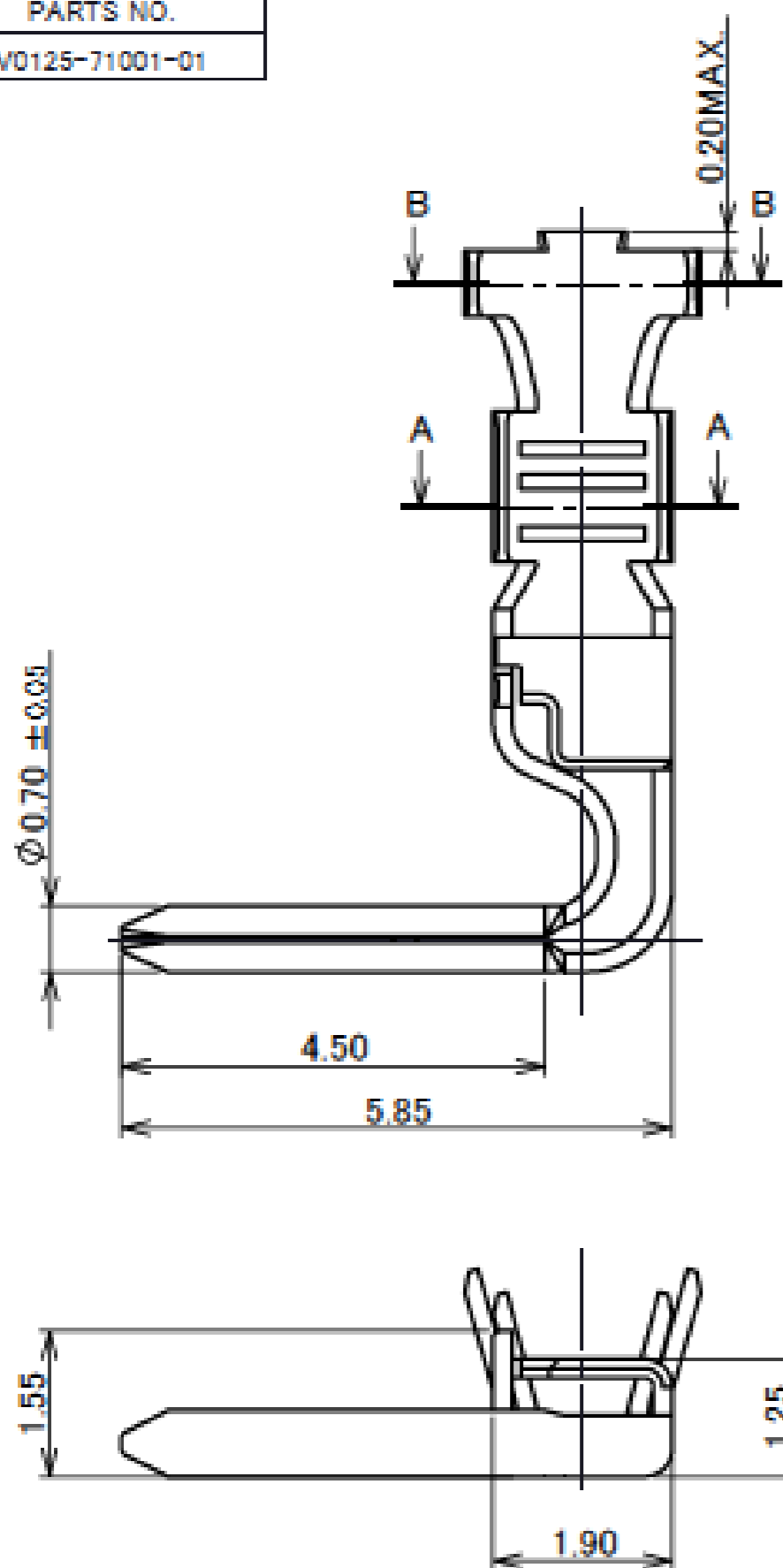


IARPB CONNECTOR 6P HOUSING
PARTS NO. V0125-91006-01

Rev.4

IARPB® CONNECTOR TERMINAL :

PARTS NO.
V0125-71001-01



ISOMETRIC VIEW
(10 : 1)

1	TERMINAL	BRASS	REFLOW Sn
NO.	DESCRIPTION	MATERIAL	FINISH/COLOR/REMARKS
1	TERMINAL	BRASS	REFLOW Sn

NOTE

- HOUSING...P/N 2P: V0125-91002-01
3P: V0125-91003-01
4P: V0125-91004-01
5P: V0125-91005-01
6P: V0125-91006-01
- CABLE: 0.3mm² (FINISHED ϕ 1.67mm MAX.)
- COMPLY WITH ELV/RoHS
- PRODUCT SPECIFICATION NO.: PSS-0037
- HANDLING MANUAL NO.: HDM-0025

Rev.4

Custom Products Available

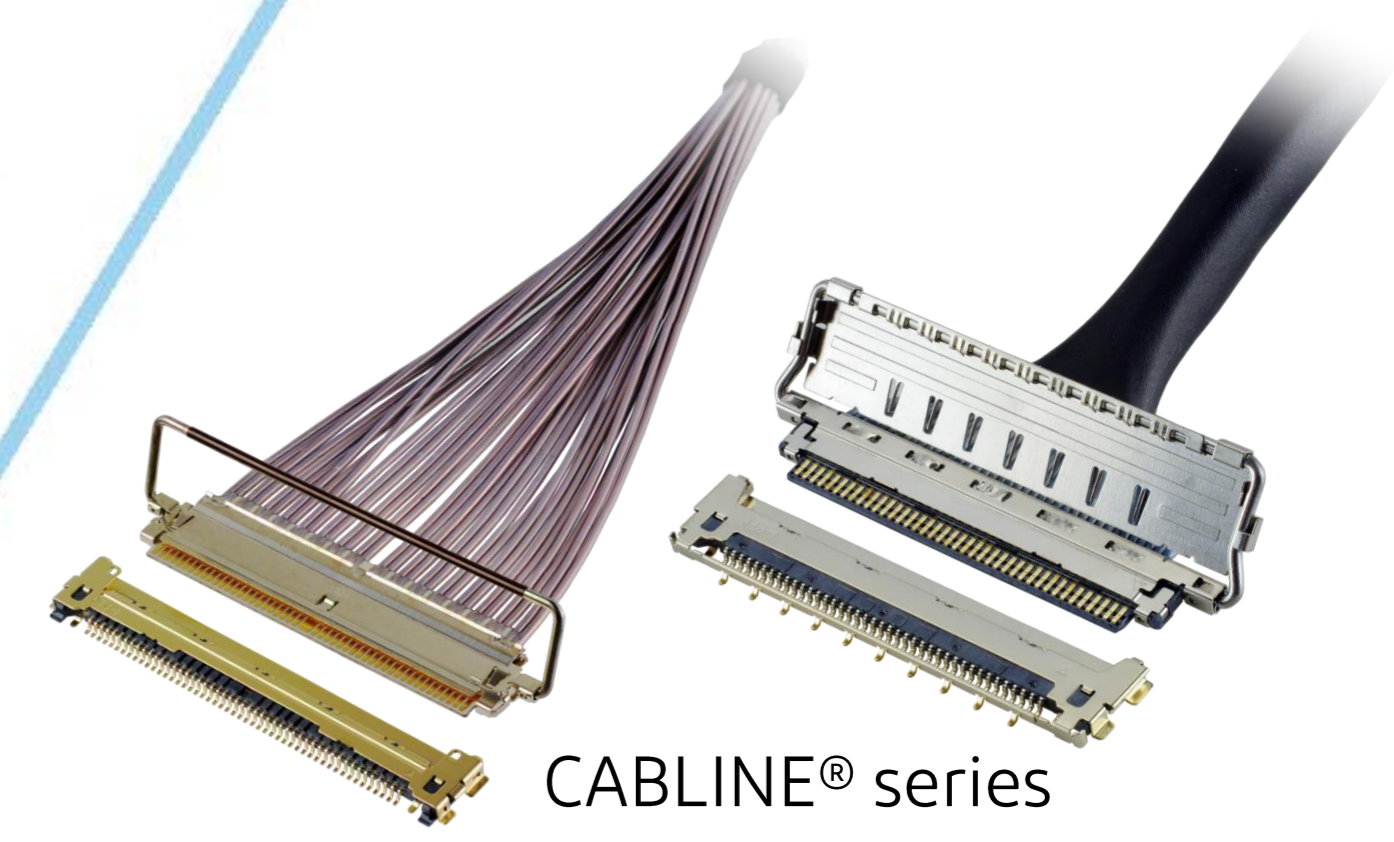
RF Connector

MHF® series



Micro-coaxial/Twinax/Discrete Wire Connector

CABLIN® series

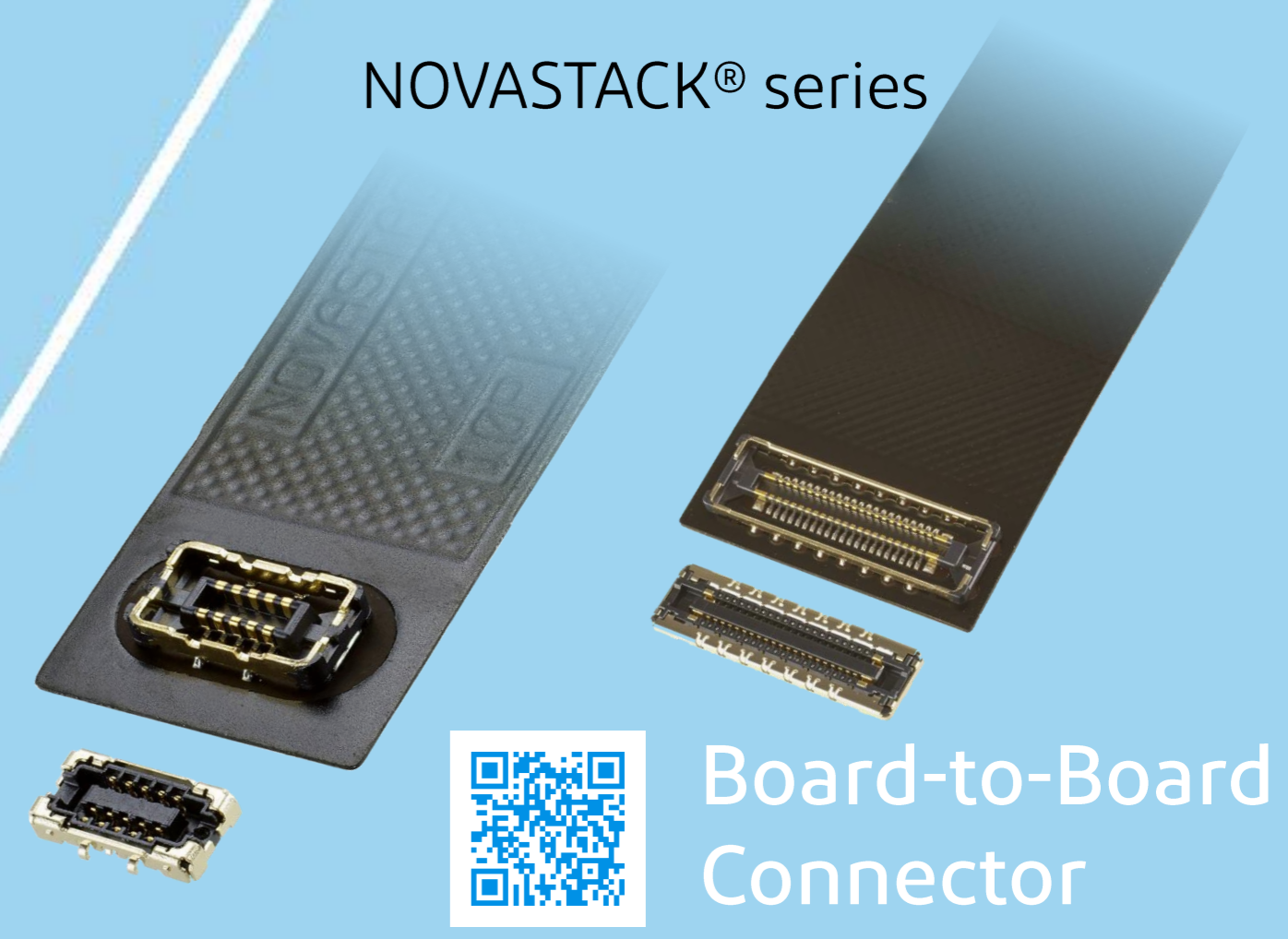


Optical Module

LIGHTPASS® series



NOVASTACK® series



Board-to-Board Connector



Power Connector/Terminal

AP series

ISH® series



MINIFLEX® series

EVAFLEX® series



FPC FFC Connector



Inquiry



MINIDOCK® series



I/O Connector

I-PEX, MHF, CABLINE, LIGHTPASS, NOVASTACK, ISH, IARPB, MINIFLEX, EVAFLEX, MINIDOCKS and ZenShield are registered trademarks of I-PEX Inc. Please note that the contents in the catalog might be changed without prior notification. I-PEX Inc. assumes no responsibility for any inaccuracies or obligation to update information on these documents. Please be sure to read and understand the latest "Precautions for Use" and "Instruction Manual" before you use our products. We shall not be responsible for any defects, damages or troubles in case you use our products without following the precautions for use. Please feel free to contact our sales representatives when you use our products for any applications that require very high reliability and safety, or that relate to human life (ex. nuclear power control, aerospace, transportation, medical equipment, safety equipment etc.).

Contact your sales representative or more detailed information.

www.i-pex.com



I-PEX

© I-PEX Inc. 2024
All rights reserved