

IARPB[®] (Horizontal Type)

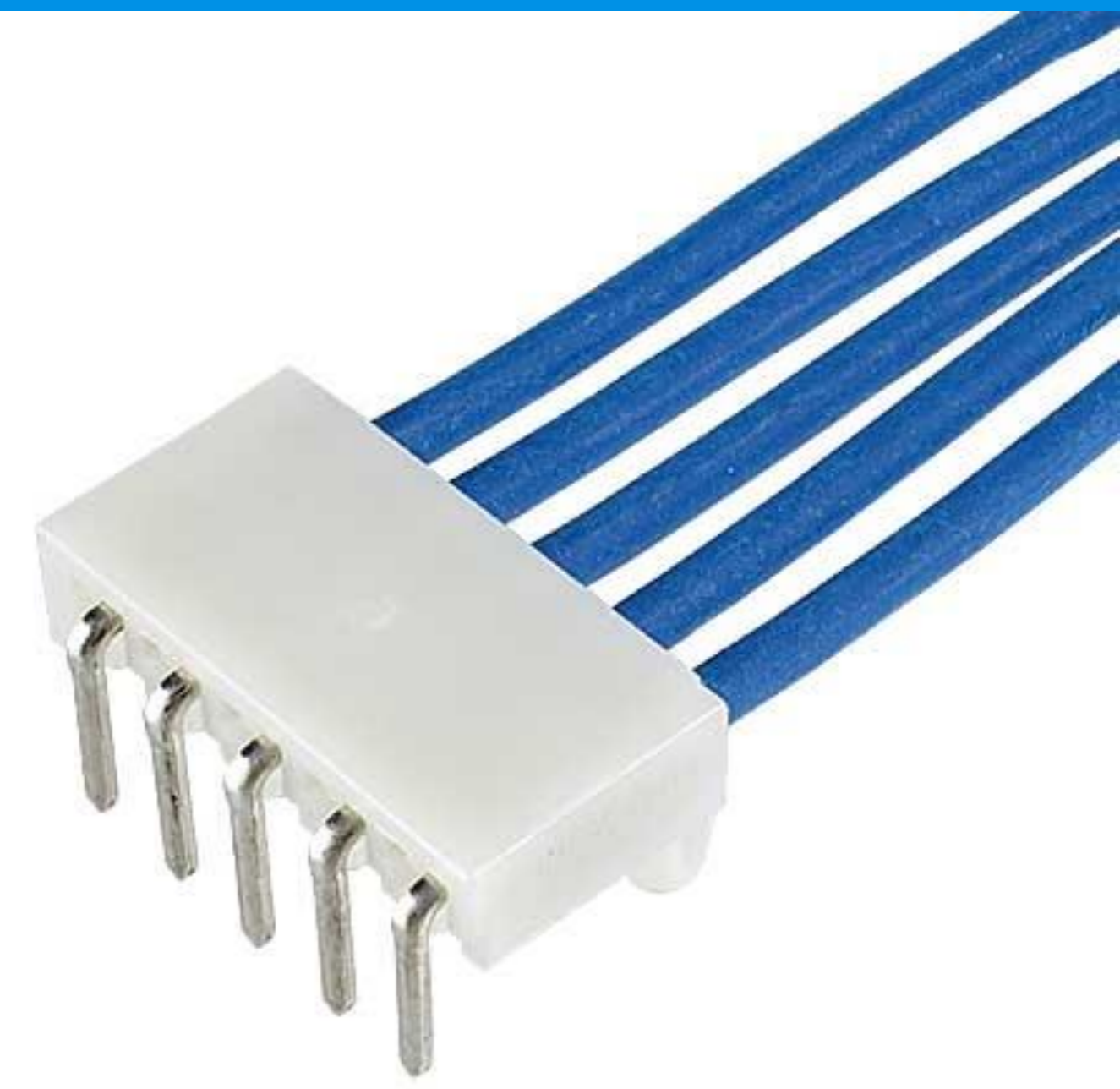
対振動性に優れた電線対基板コネクタ

Product Specifications:

Pitch (mm max.)	2.5	
Contact Size (mm)	φ0.7	
Mounted Height (mm)	3.30 (2,3,4,5P) 3.80 (6P)	
Width formula (mm)	Single row: 1.2+2.5*?pin	
Operating Temperature	-40 - 125°C	
Vibration Resistance	10G	
Current Rating	3A per pin	
Voltage Rating	250V	
Withstand Voltage	AC 1000V/minute	
Plating	Sn	
Housing	PBT GF15	
Pin counts	Range	Up to 6
	Available	2, 3, 4, 5, 6

Applicable Cable Size:

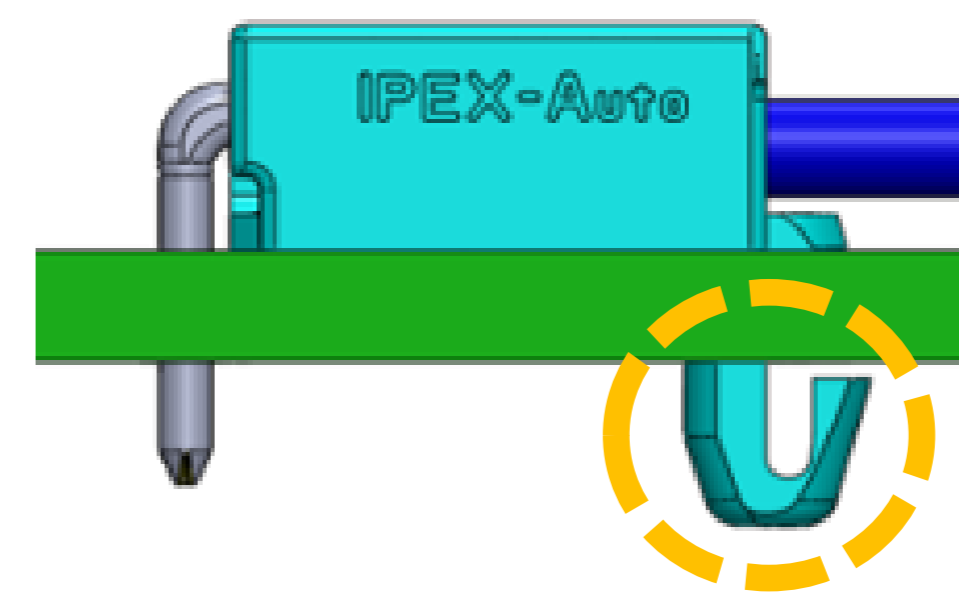
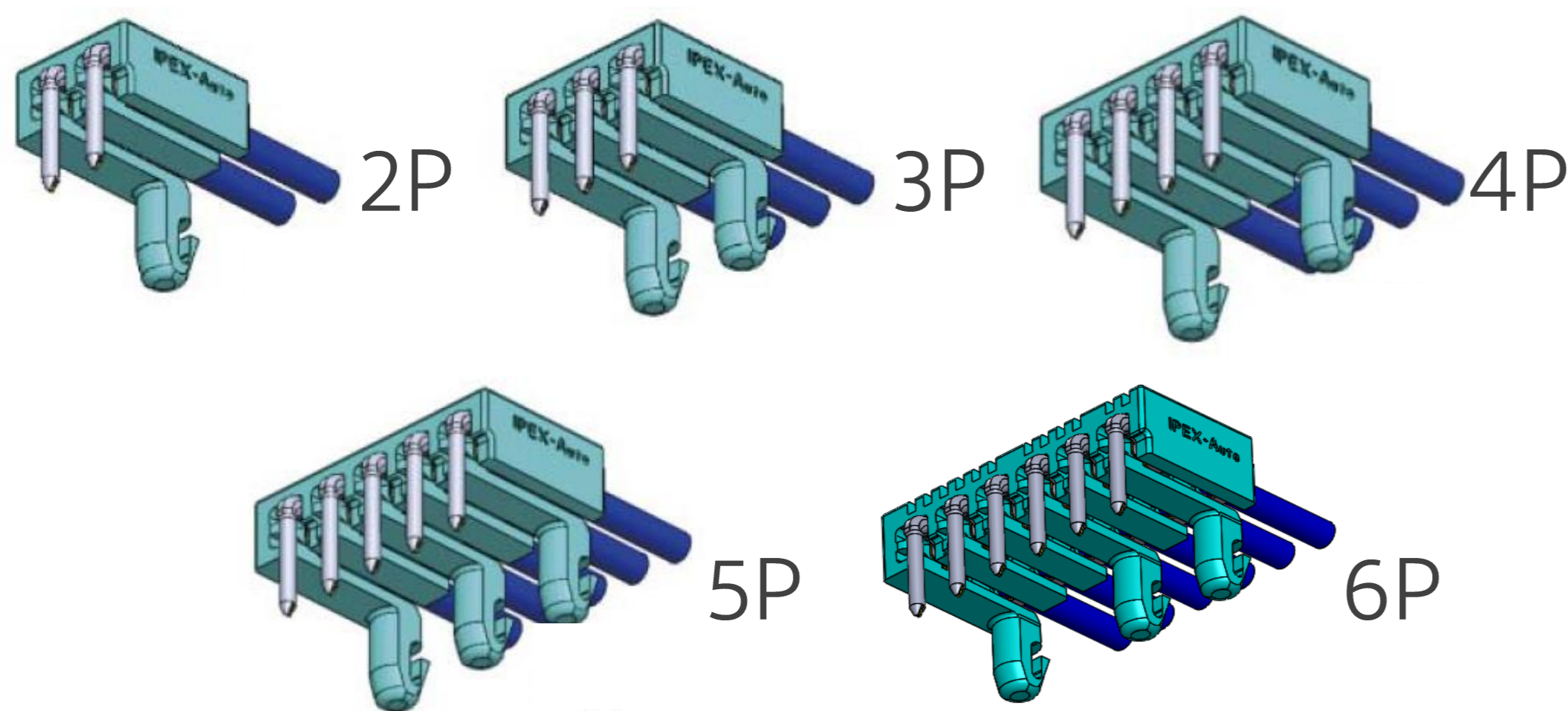
AWG#22 *Insulation Diameter 1.67 mm max.



*記載のない極数の対応状況についてはお問い合わせください。

▶ハウジング部ポスト構造による優れた耐振動性

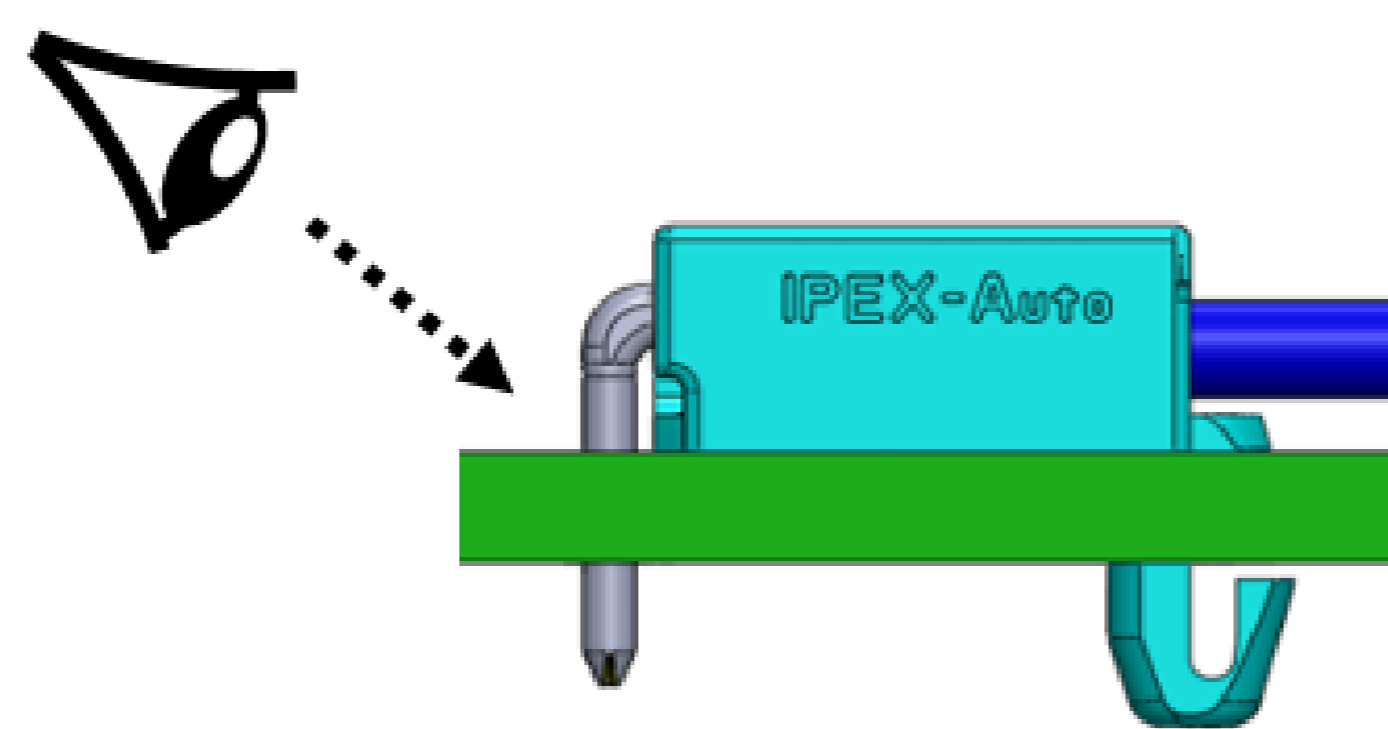
ボス付き構造により高い耐振動性を確保します。



ボスが振動を吸収し、端子に負荷が掛かりにくい構造

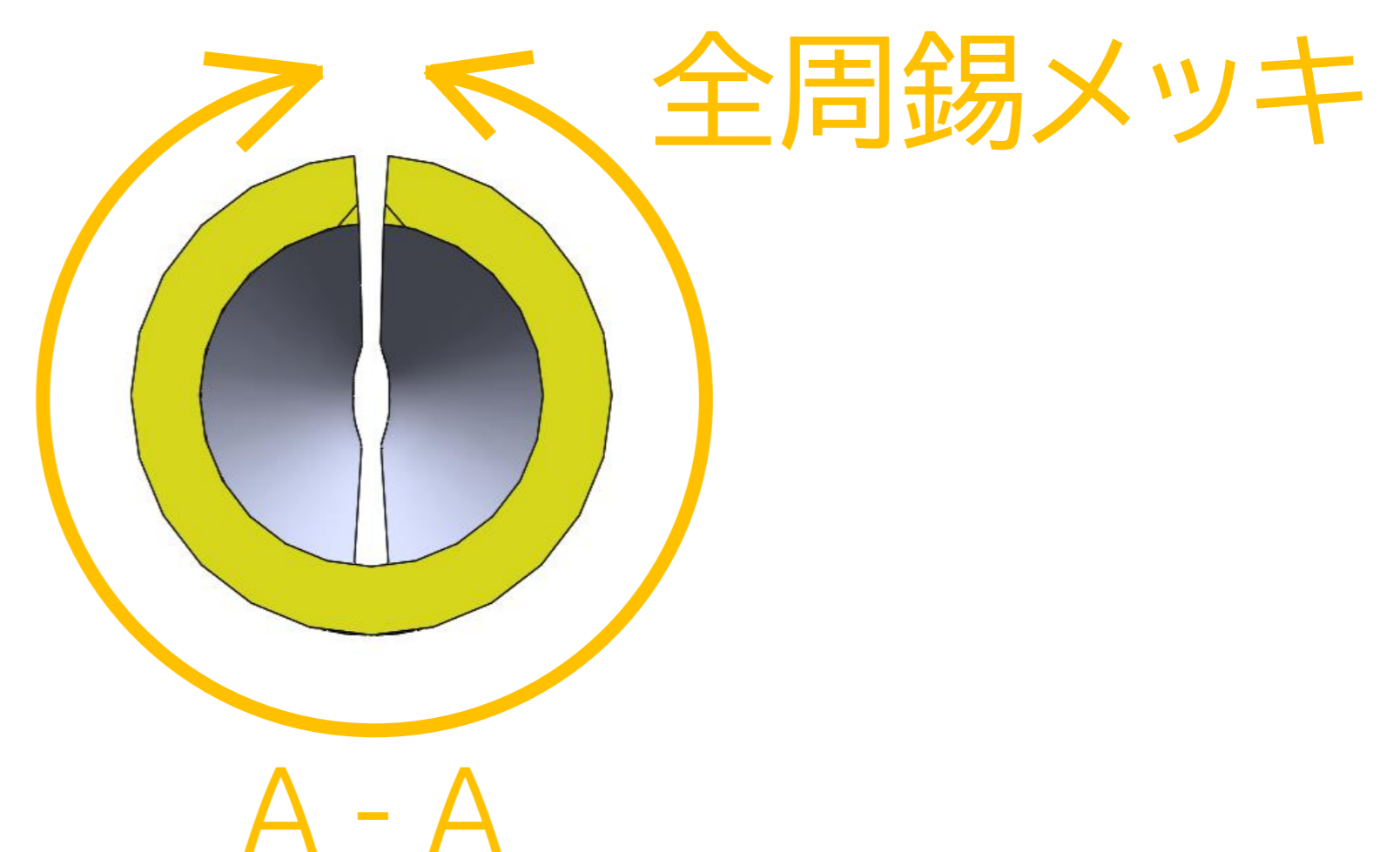
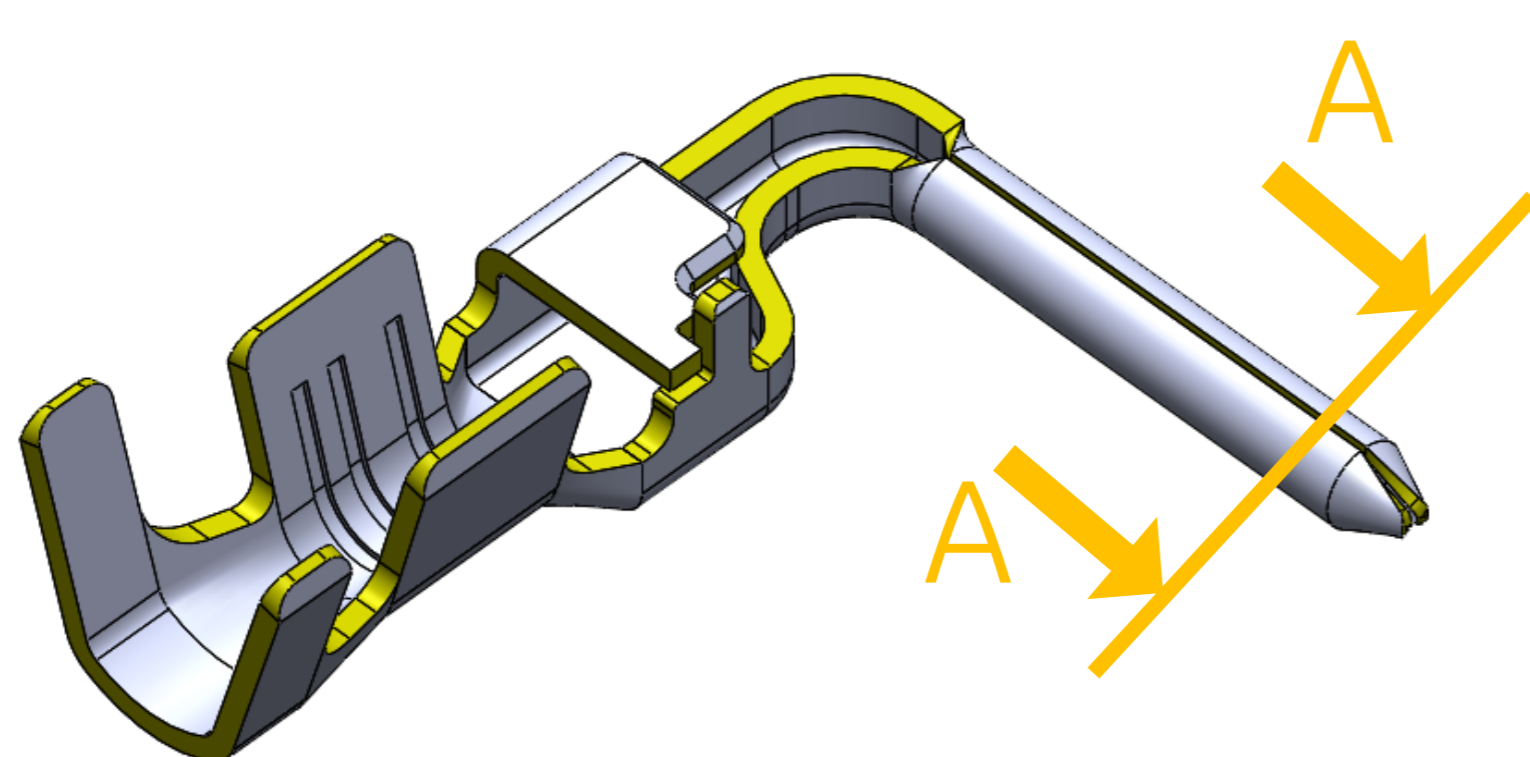
▶視認性に優れた構造による実装作業効率化

端子を視認できる為、基板実装時の端子曲りのリスクを低減できます。
上部から半田フィレットの状態を容易に確認できる構造で検査コストの低減に寄与します。
基板の裏面だけでなく表面からも半田付けが可能です。



▶安定した半田濡れ性を実現するメッキ仕様

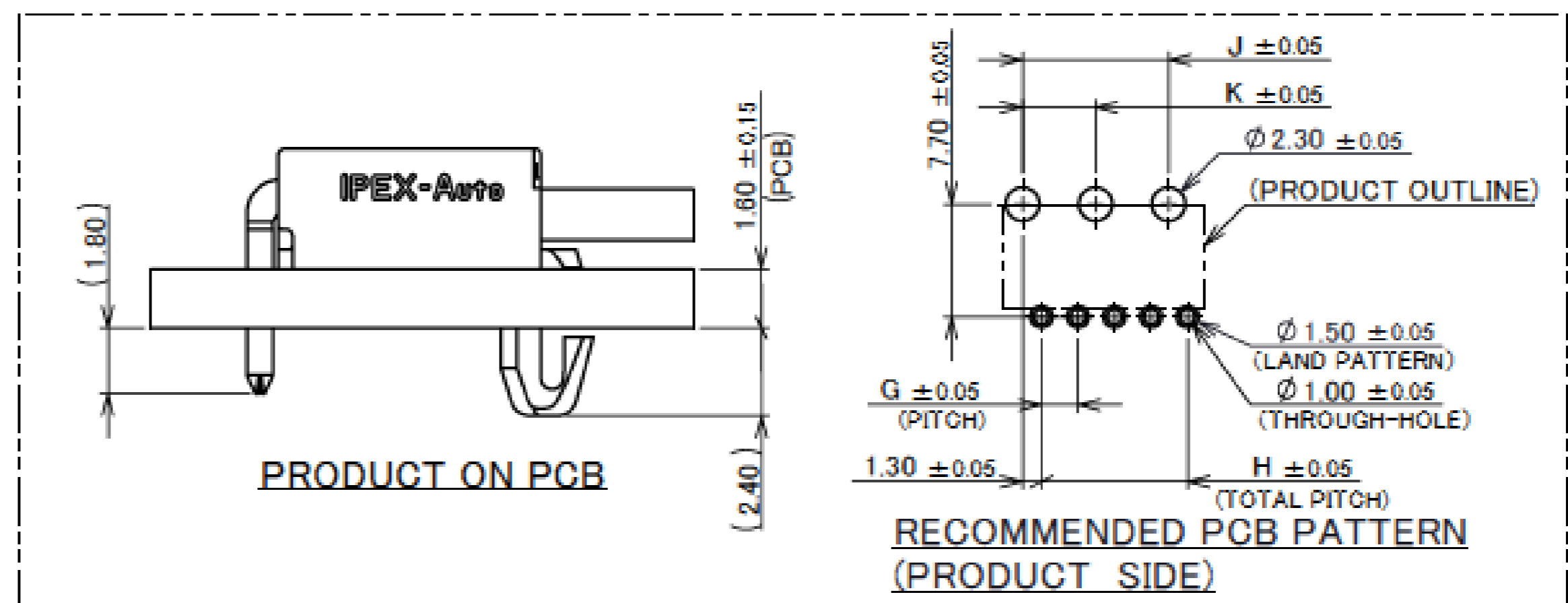
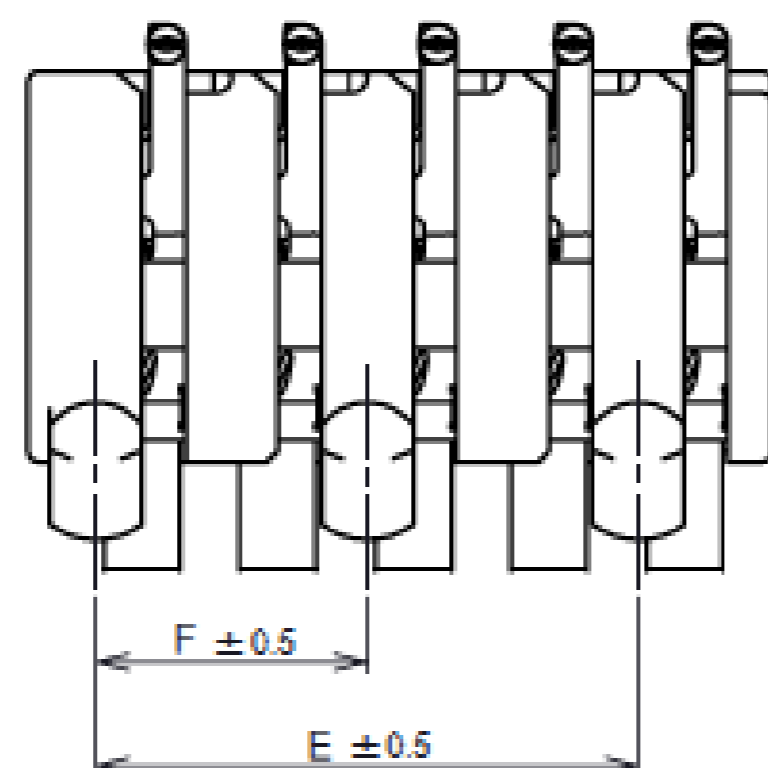
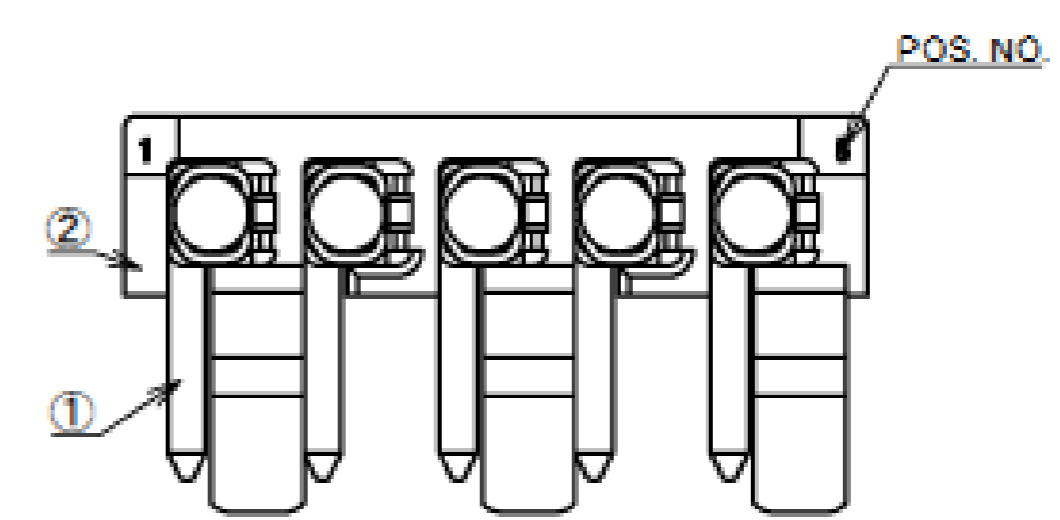
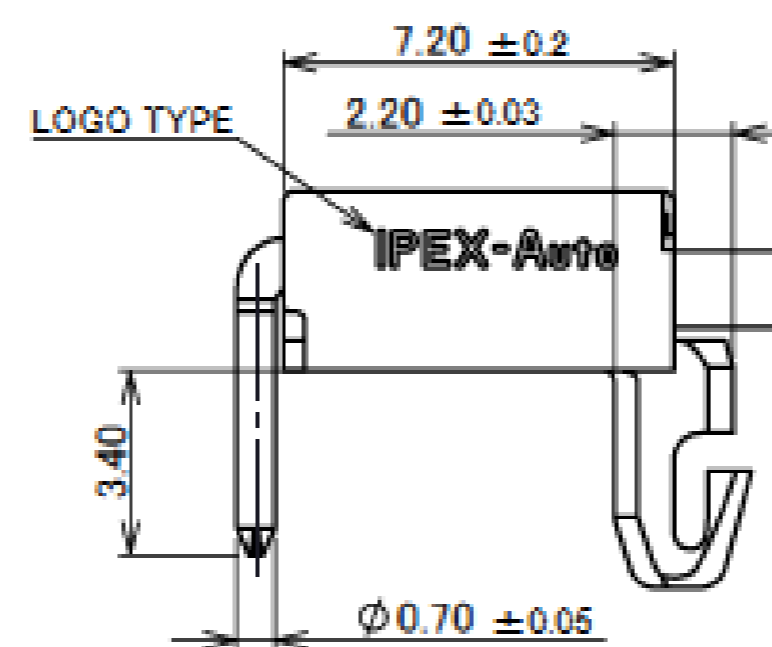
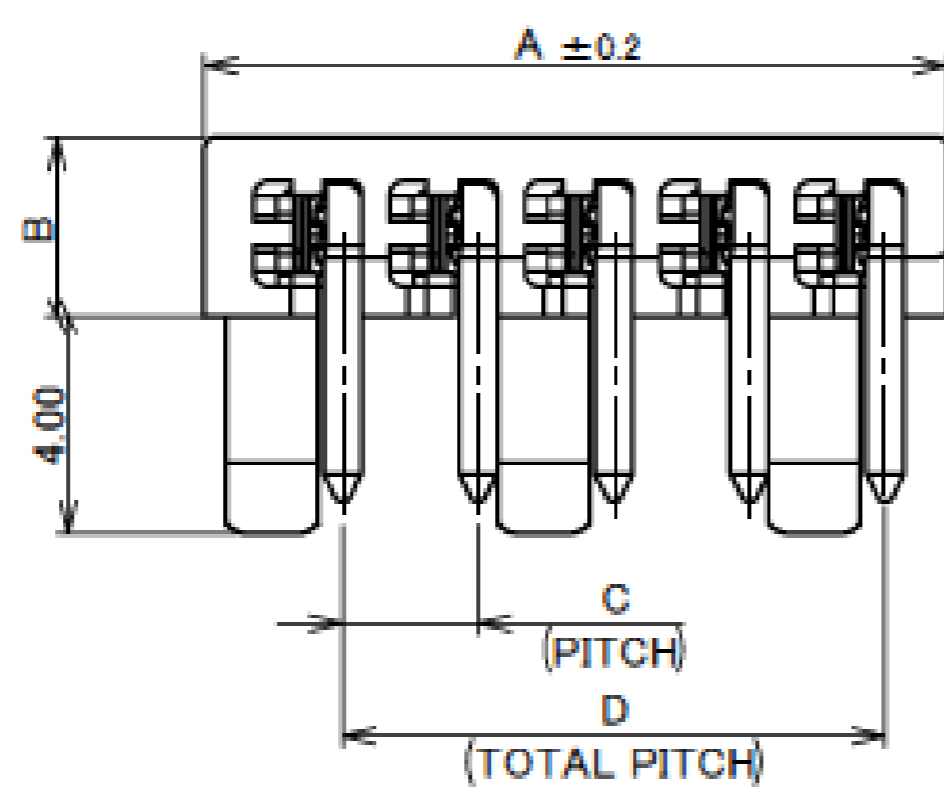
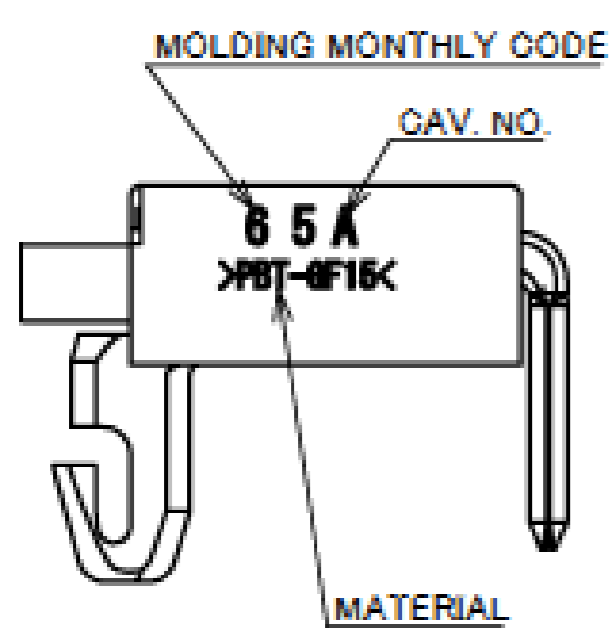
半田付け部の全周が錫メッキとなるよう先メッキ材を加工し、良好な半田濡れ性を確保します。



Component Parts Details

IARP® CONNECTOR ASS'Y:

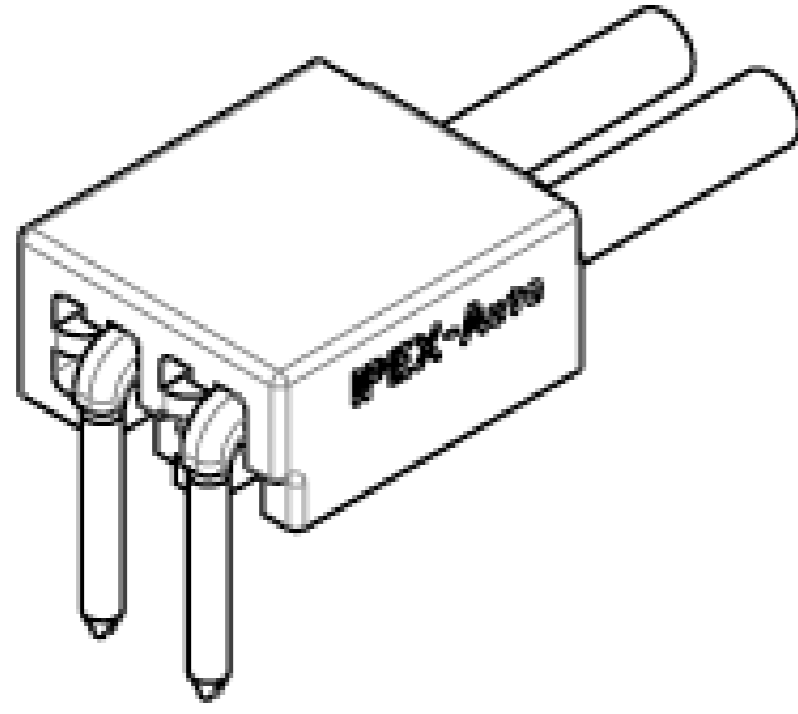
VARIATIONS	SET PARTS NO.	A	B	C	D	E	F	G	H	J	K
2P	V0125-002A-01	6.20	3.30	-	2.50	-	-	-	2.50	-	-
3P	V0125-003A-01	8.70	3.30	2.50	5.00	5.00	-	2.50	5.00	5.00	-
4P	V0125-004A-01	11.20	3.30	2.50	7.50	7.50	-	2.50	7.50	7.50	-
5P	V0125-005A-01	13.70	3.30	2.50	10.0	10.0	5.00	2.50	10.0	10.0	5.00
6P	V0125-006A-01	16.20	3.80	2.50	12.5	12.5	7.50	2.50	12.5	12.5	7.50



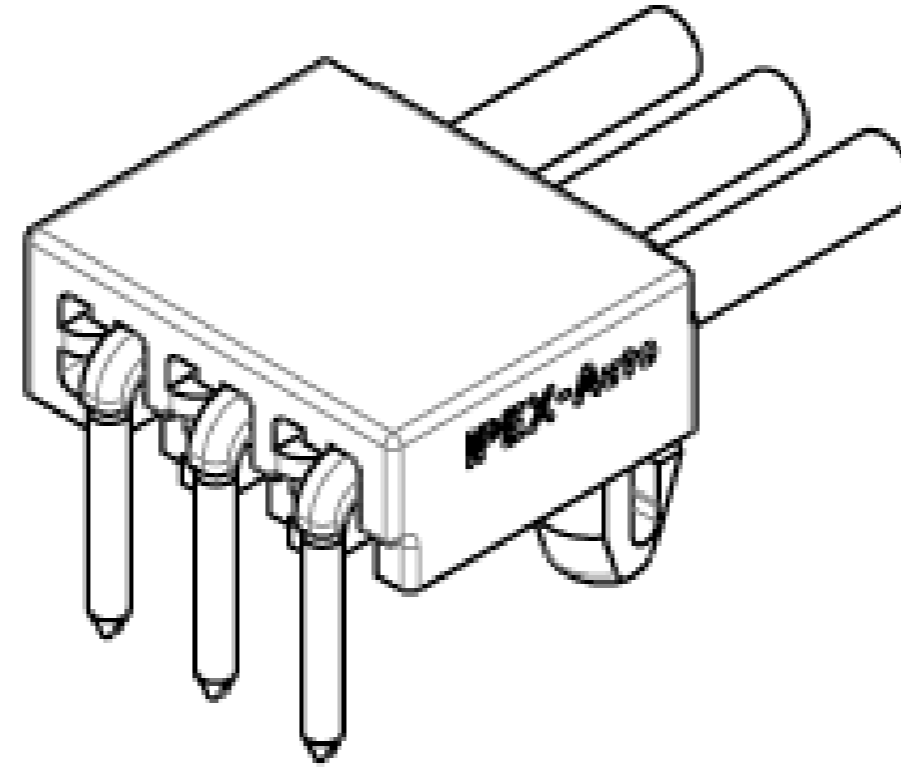
2	HOUSING	GLASS FILLED PBT	NATURAL
1	TERMINAL	BRASS	REFLOW Sn
NO.	DESCRIPTION	MATERIAL	FINISH/COLOR/REMARKS

- NOTE
1. CABLE: 0.3mm² (FINISHED Φ 1.67mm MAX.)
 2. COMPLY WITH ELV/RoHS
 3. PRODUCT SPECIFICATION NO.: PSS-0037
 4. HANDLING MANUAL NO.: HDM-0025

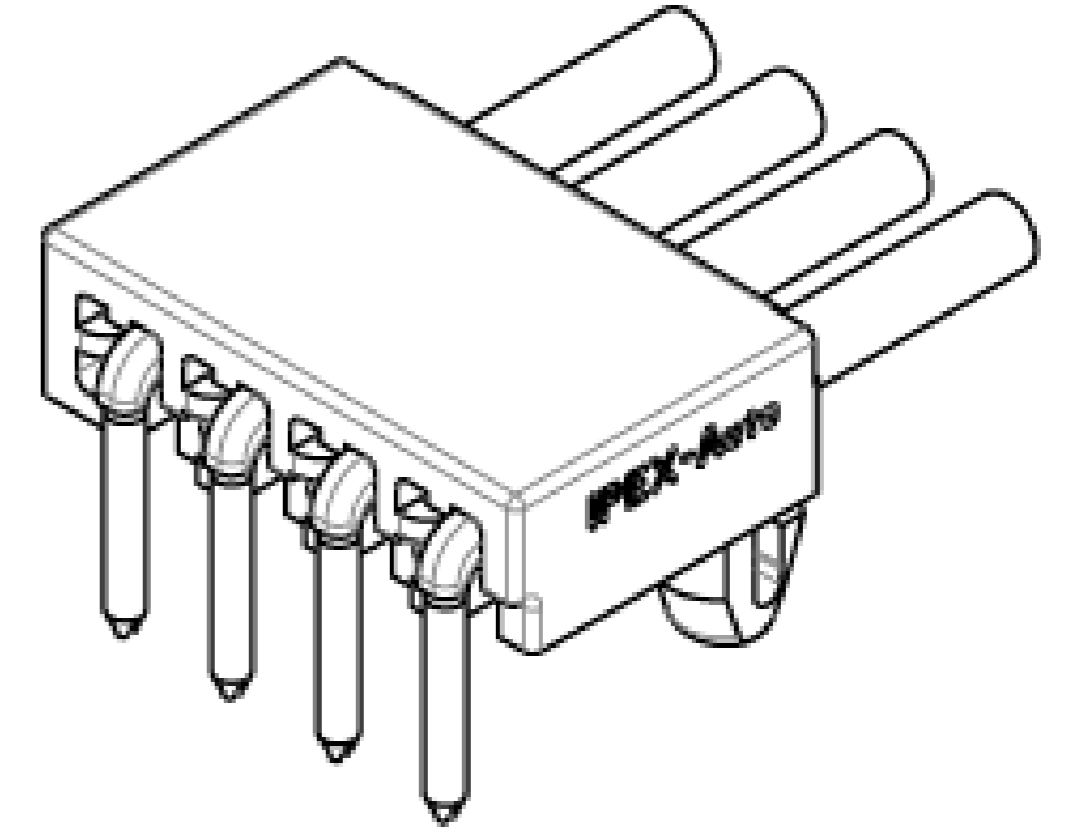
IARPB® CONNECTOR ASS'Y:



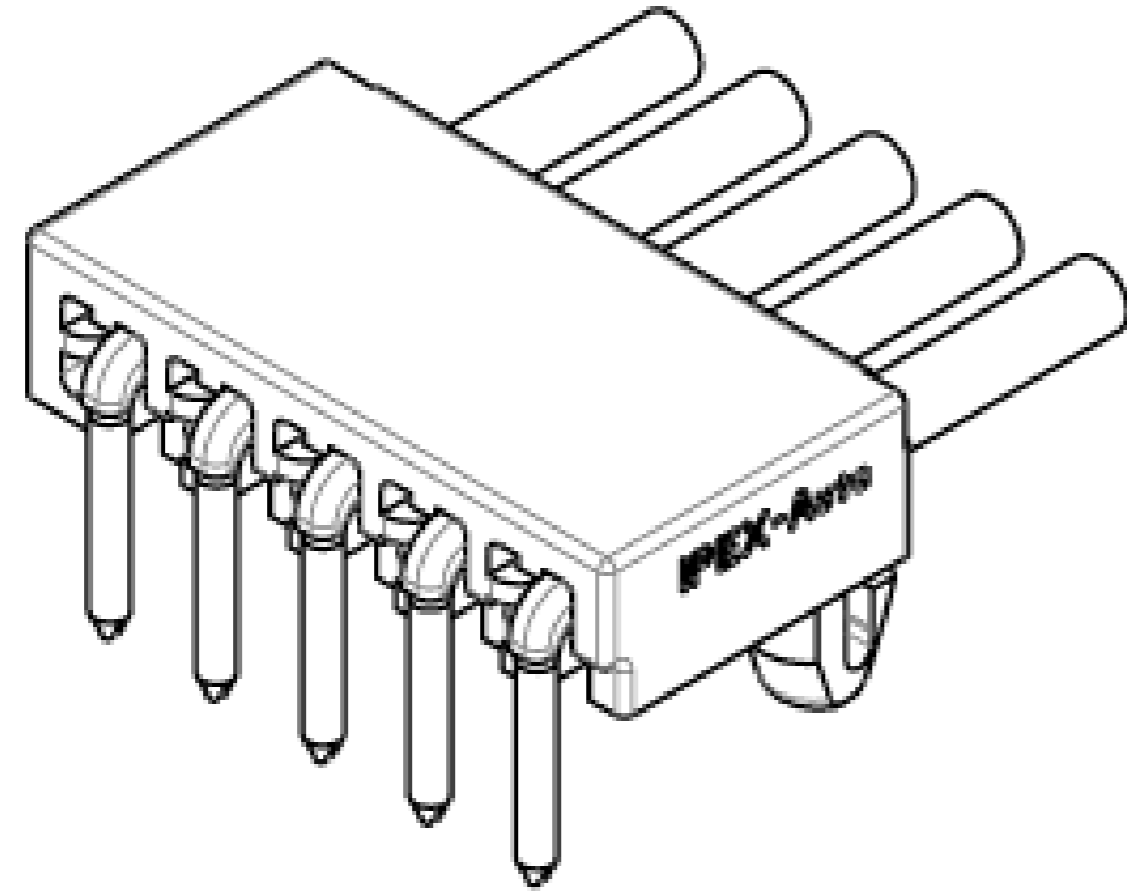
IARPB CONNECTOR 2P
SET PARTS NO. V0125-002A-01



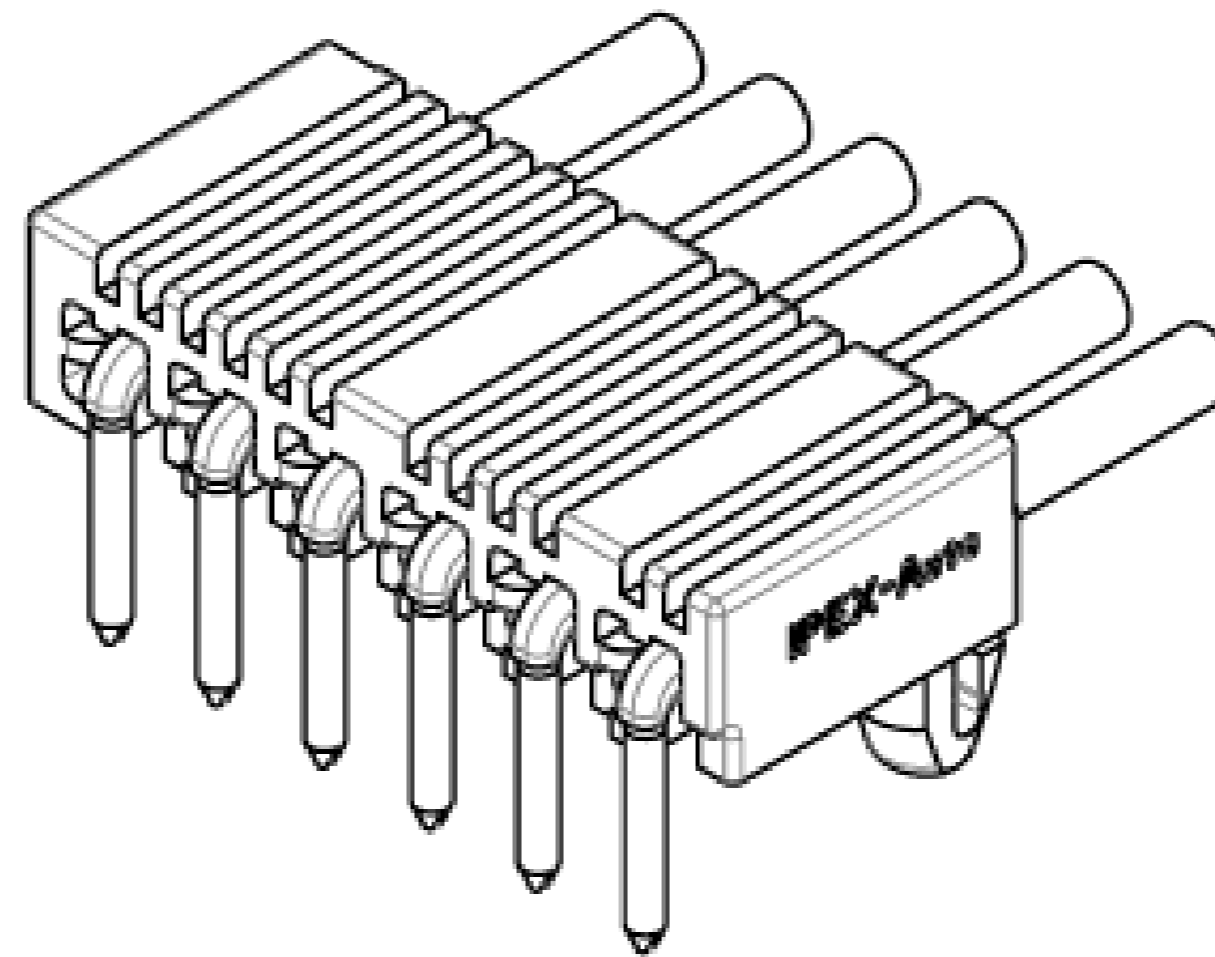
IARPB CONNECTOR 3P
SET PARTS NO. V0125-003A-01



IARPB CONNECTOR 4P
SET PARTS NO. V0125-004A-01



IARPB CONNECTOR 5P
SET PARTS NO. V0125-005A-01

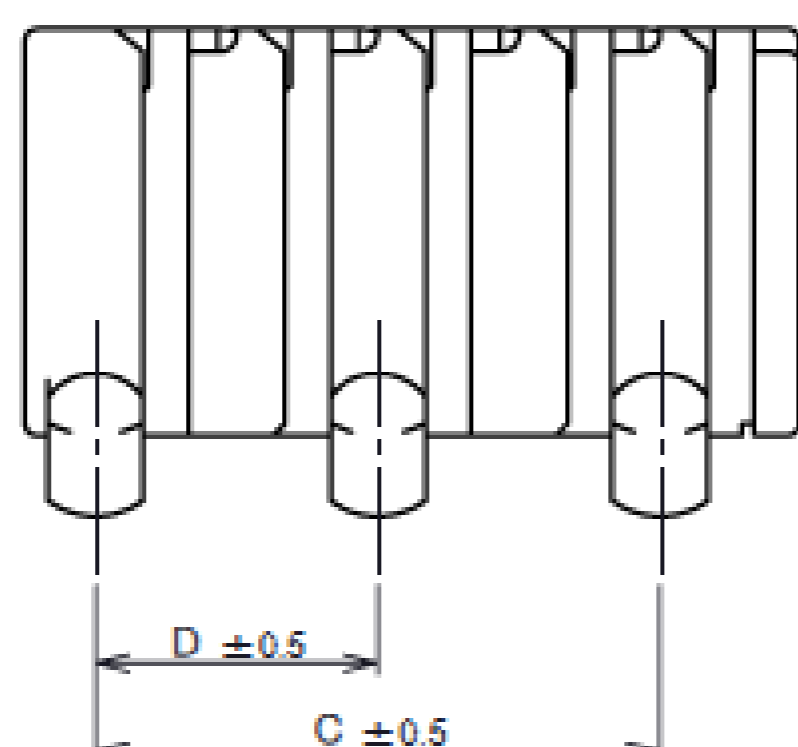
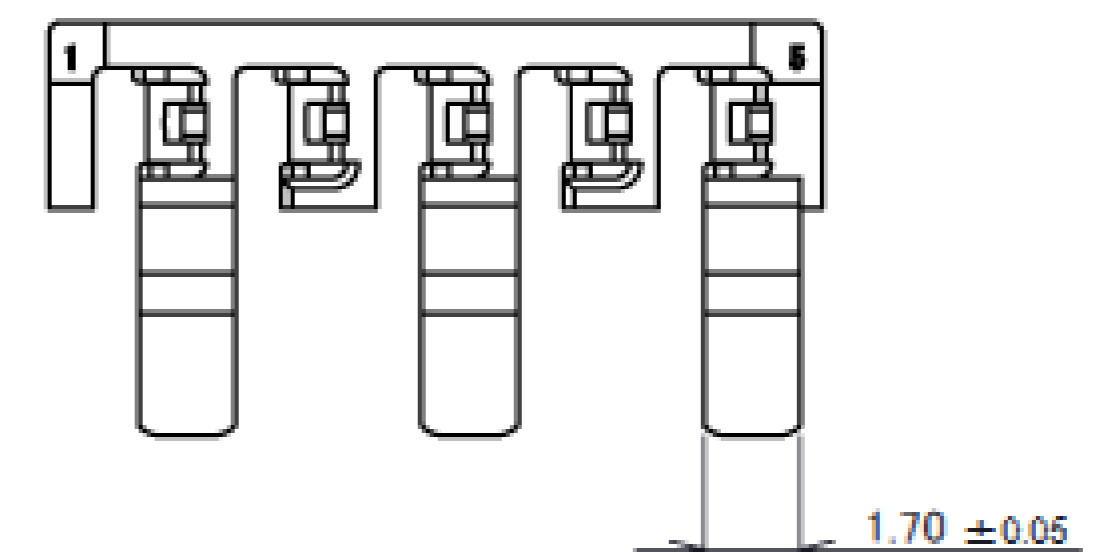
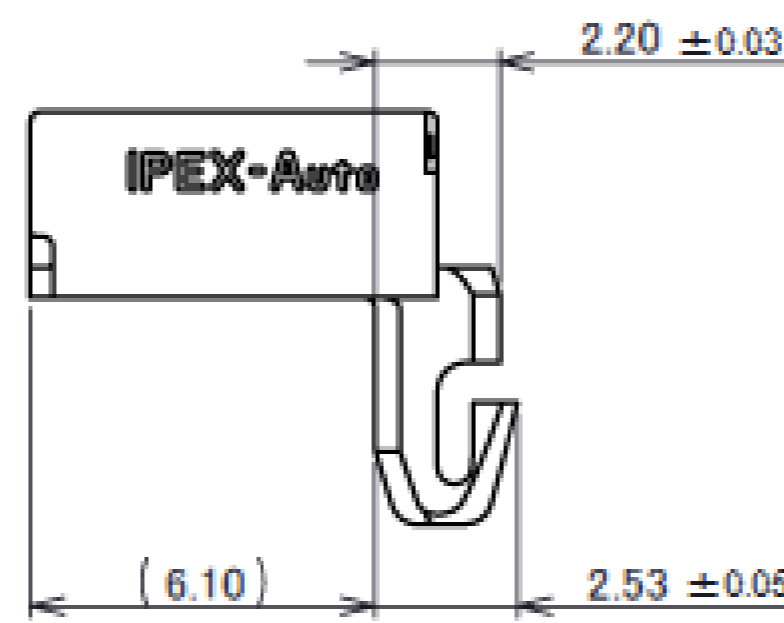
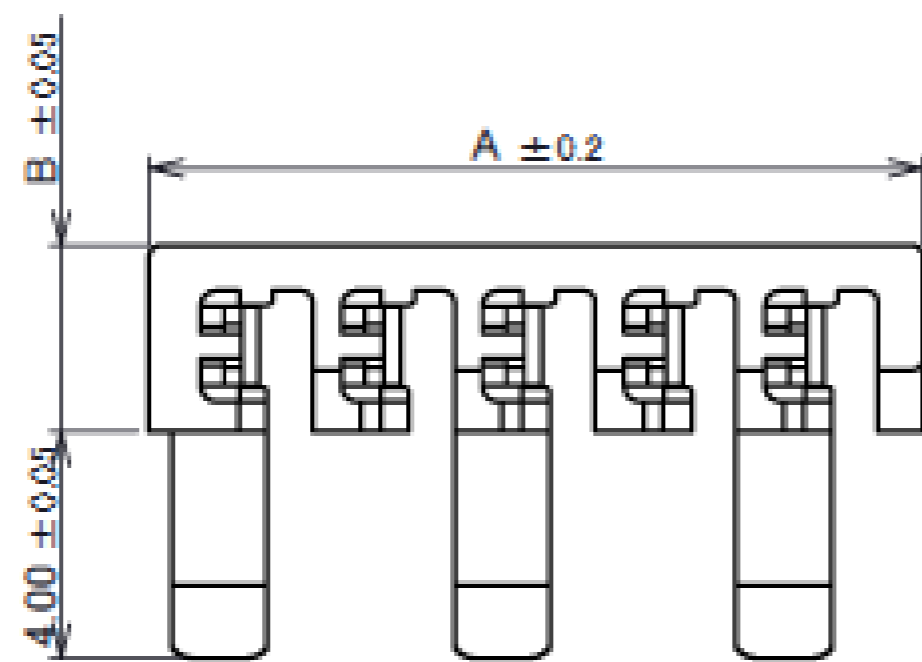
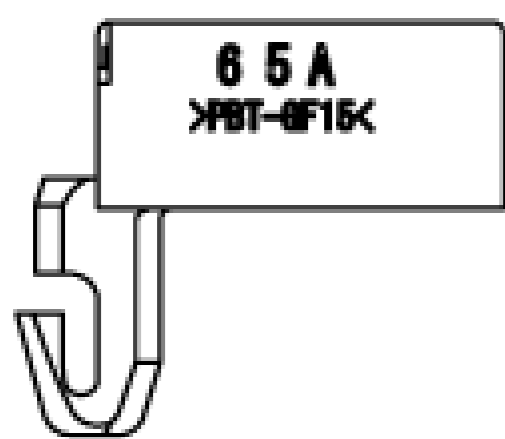
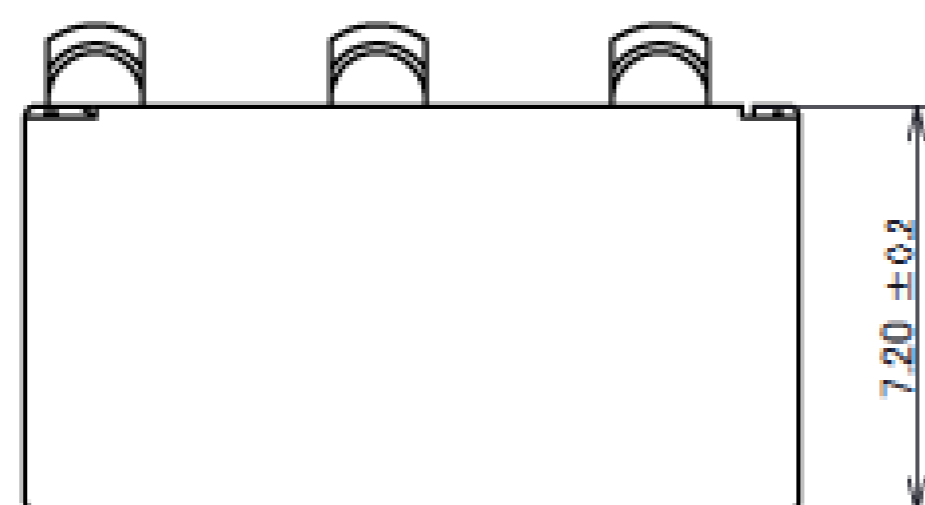


IARPB CONNECTOR 6P
SET PARTS NO. V0125-006A-01

Rev.4

IARPB® CONNECTOR HOUSING:

VARIATIONS	PARTS NO.	A	B	C	D
2P	V0125-91002-01	6.20	3.30	-	-
3P	V0125-91003-01	8.70	3.30	5.00	-
4P	V0125-91004-01	11.20	3.30	7.50	-
5P	V0125-91005-01	13.70	3.30	10.0	5.00
6P	V0125-91006-01	16.20	3.80	12.5	7.50

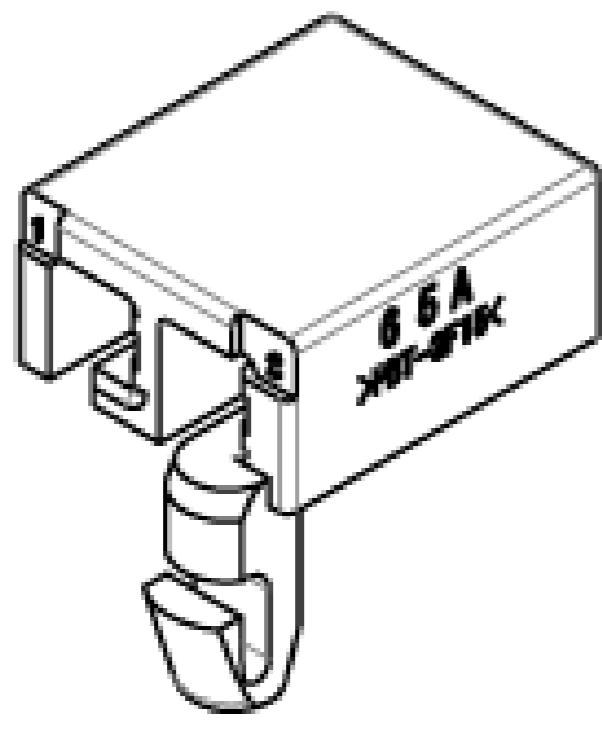


- NOTE
1. TERMINAL...P/N: V0125-71001-01
 2. COMPLY WITH ELV/RoHS
 3. PRODUCT SPECIFICATION NO.: PSS-0037
 4. HANDLING MANUAL NO.: HDM-0025

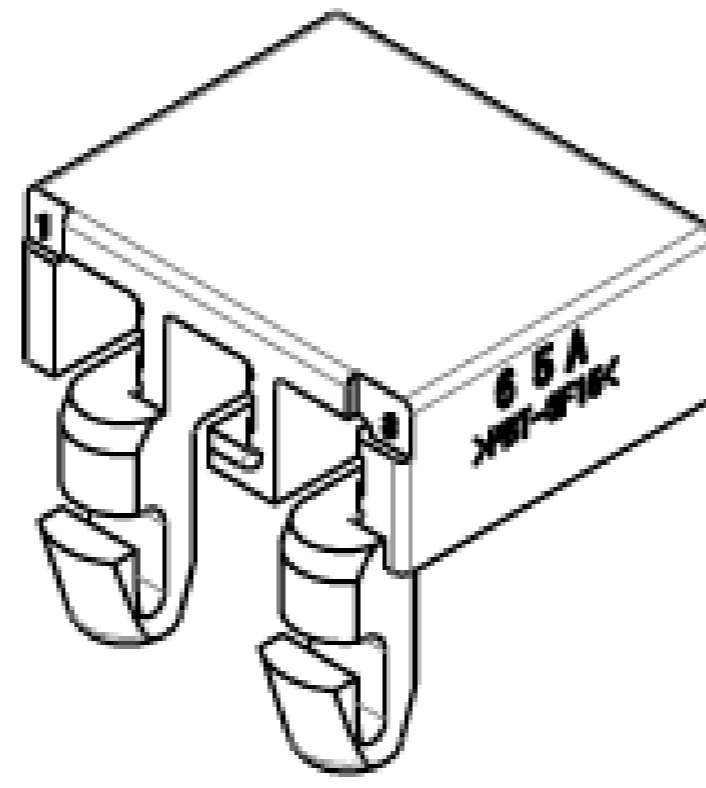
NO.	DESCRIPTION	MATERIAL	FINISH/COLOR/REMARKS
1	HOUSING	GLASS FILLED PBT	NATURAL

Rev.4

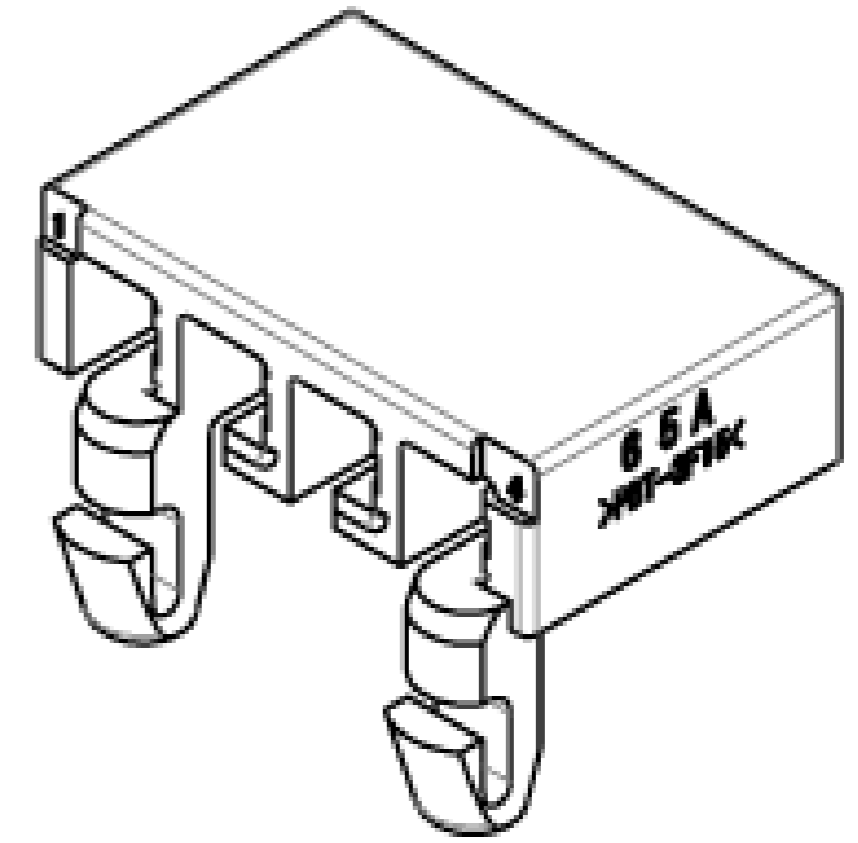
IARPB® CONNECTOR HOUSING:



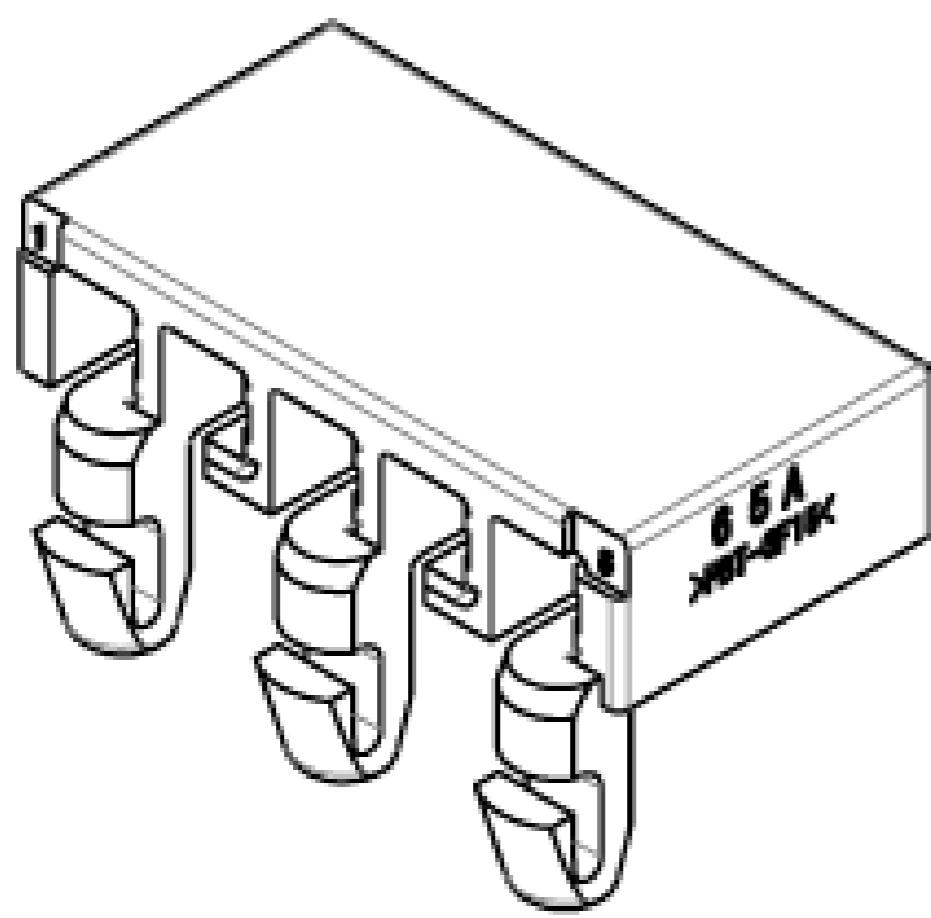
IARPB CONNECTOR 2P HOUSING
PARTS NO. V0125-91002-01



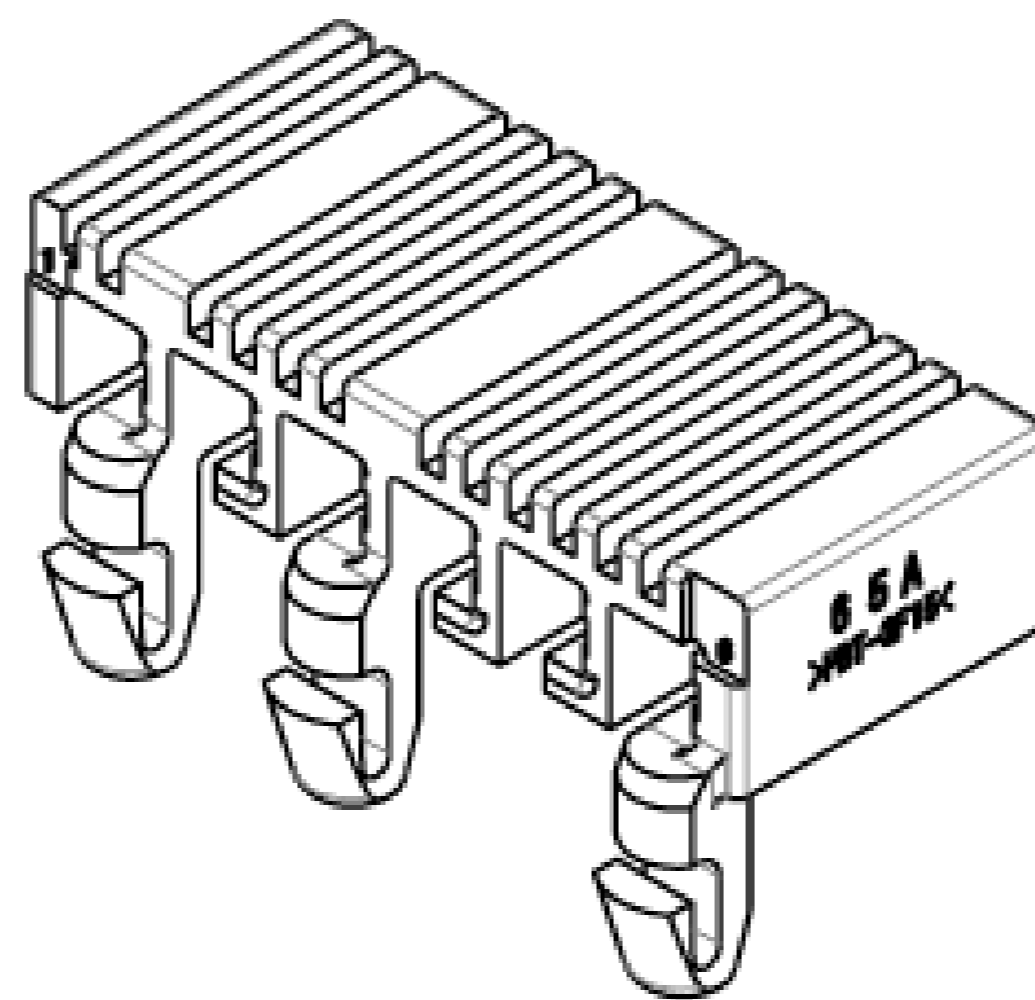
IARPB CONNECTOR 3P HOUSING
PARTS NO. V0125-91003-01



IARPB CONNECTOR 4P HOUSING
PARTS NO. V0125-91004-01



IARPB CONNECTOR 5P HOUSING
PARTS NO. V0125-91005-01

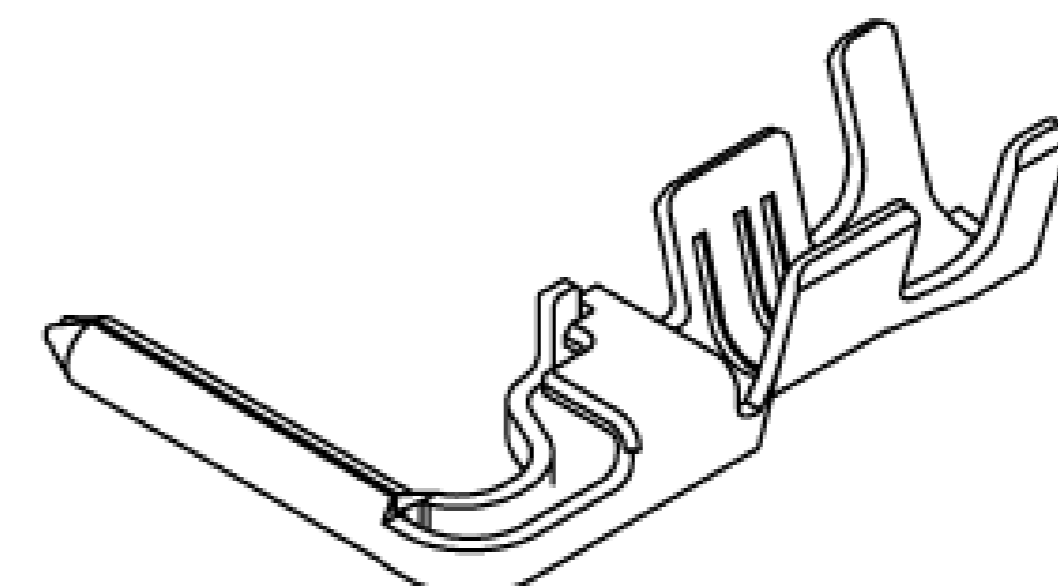
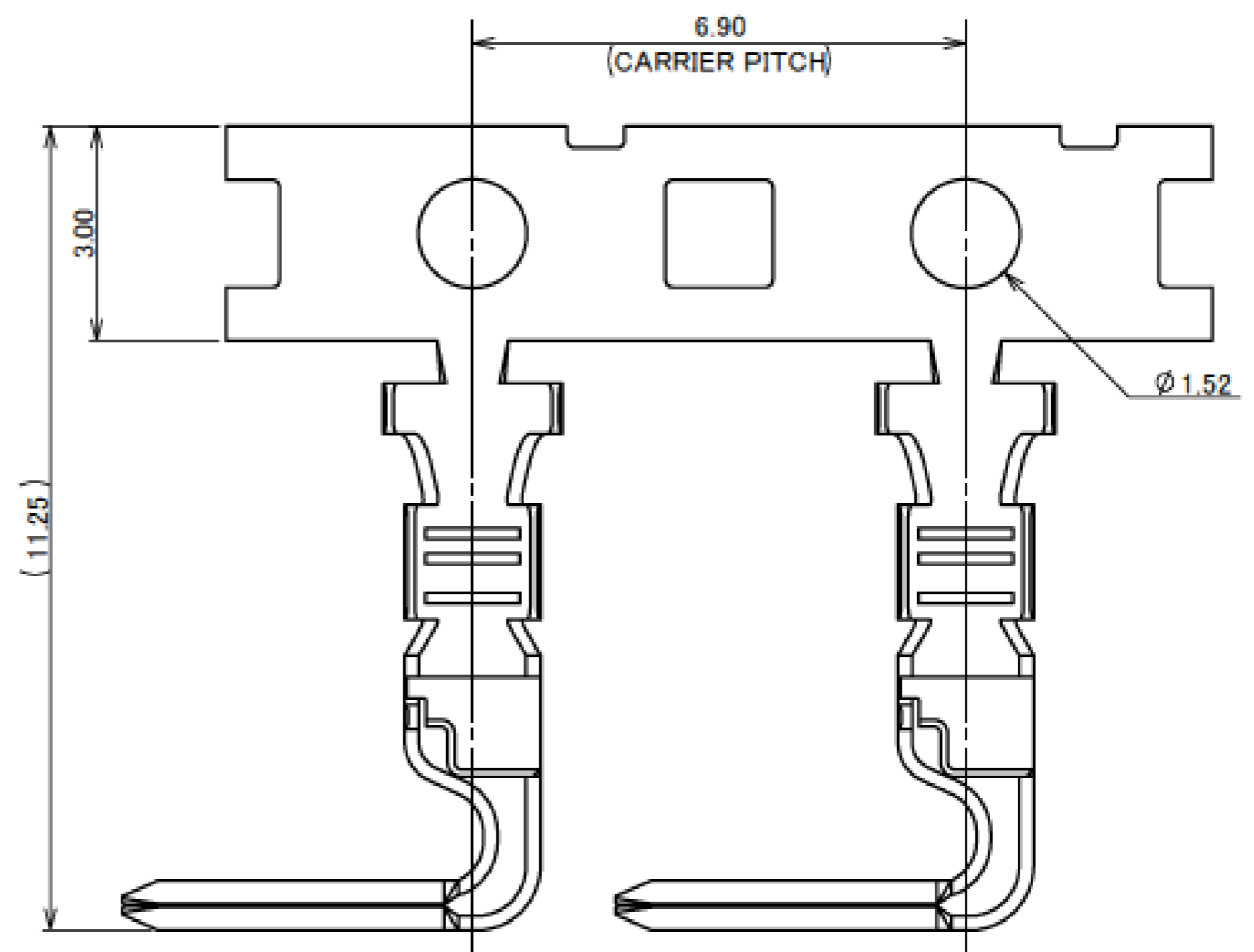
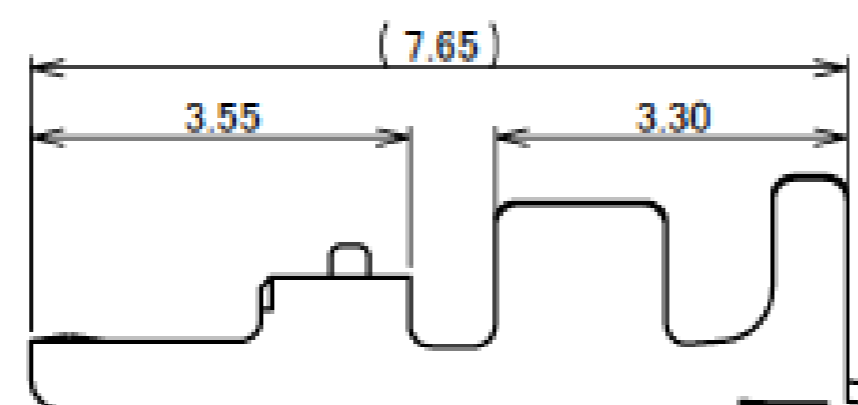
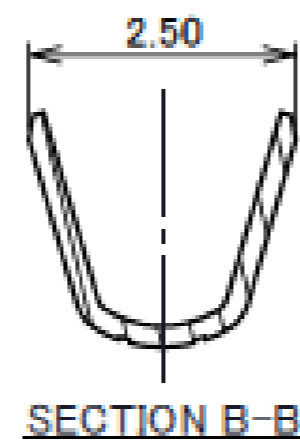
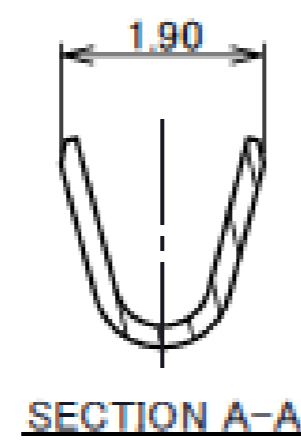
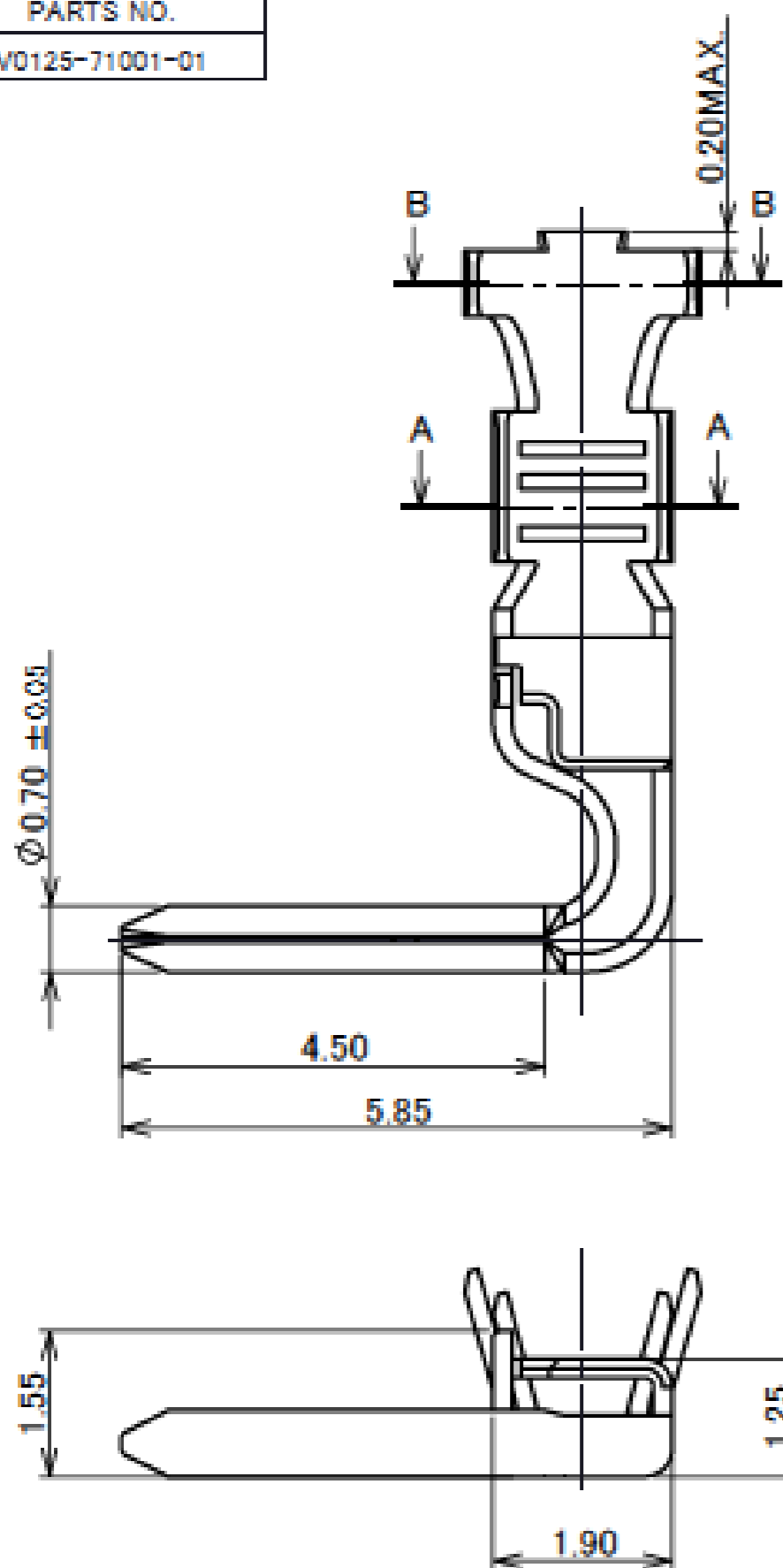


IARPB CONNECTOR 6P HOUSING
PARTS NO. V0125-91006-01

Rev.4

IARPB® CONNECTOR TERMINAL :

PARTS NO.
V0125-71001-01



ISOMETRIC VIEW
(10 : 1)

1	TERMINAL	BRASS	REFLOW Sn
NO.	DESCRIPTION	MATERIAL	FINISH/COLOR/REMARKS
1	TERMINAL	BRASS	REFLOW Sn

NOTE

- HOUSING...P/N 2P: V0125-91002-01
3P: V0125-91003-01
4P: V0125-91004-01
5P: V0125-91005-01
6P: V0125-91006-01
- CABLE: 0.3mm² (FINISHED Φ 1.67mm MAX.)
- COMPLY WITH ELV/RoHS
- PRODUCT SPECIFICATION NO.: PSS-0037
- HANDLING MANUAL NO.: HDM-0025

Rev.4

Custom Products Available

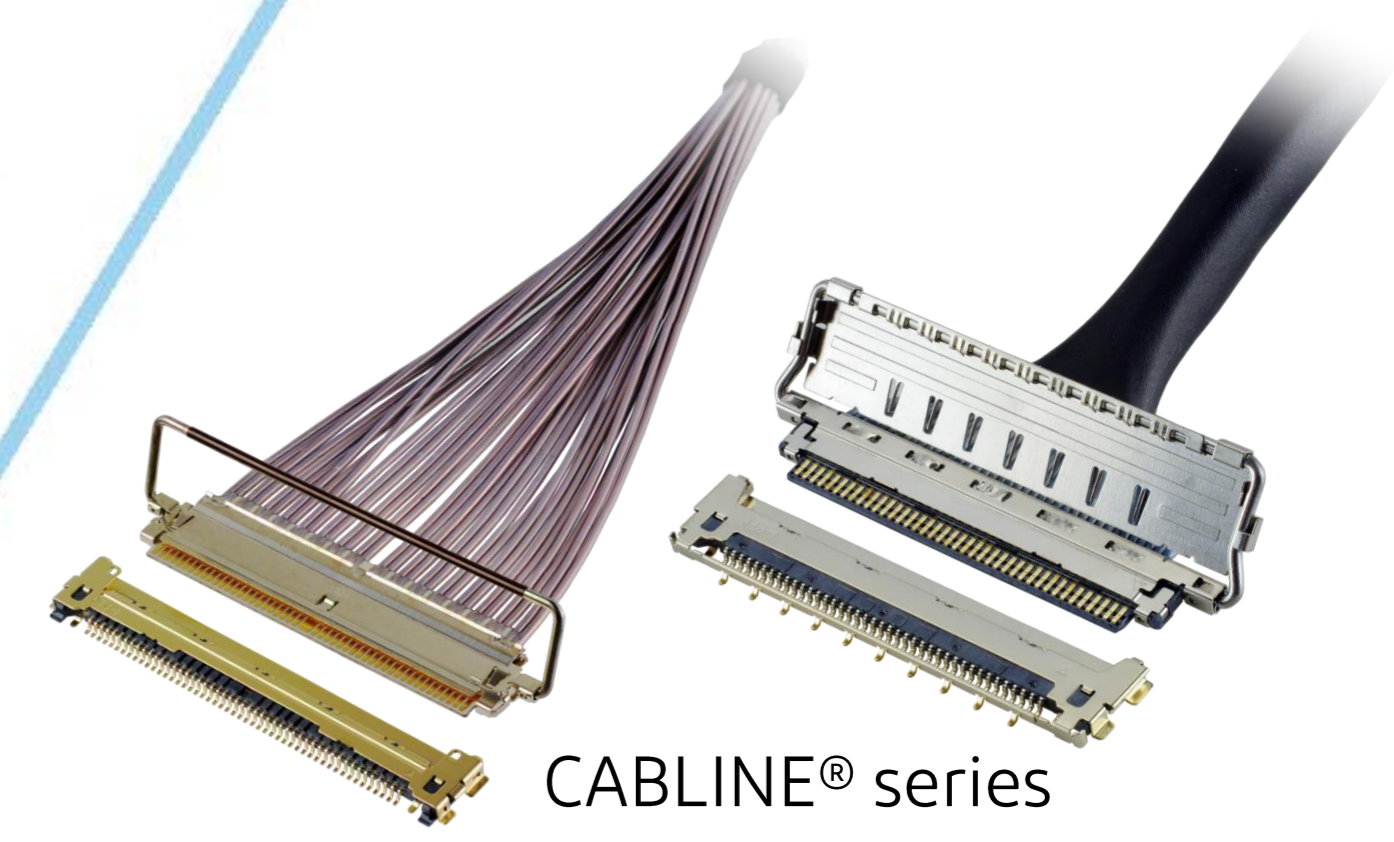
RF Connector

MHF® series



Micro-coaxial/Twinax/Discrete Wire Connector

CABLIN® series



Optical Module

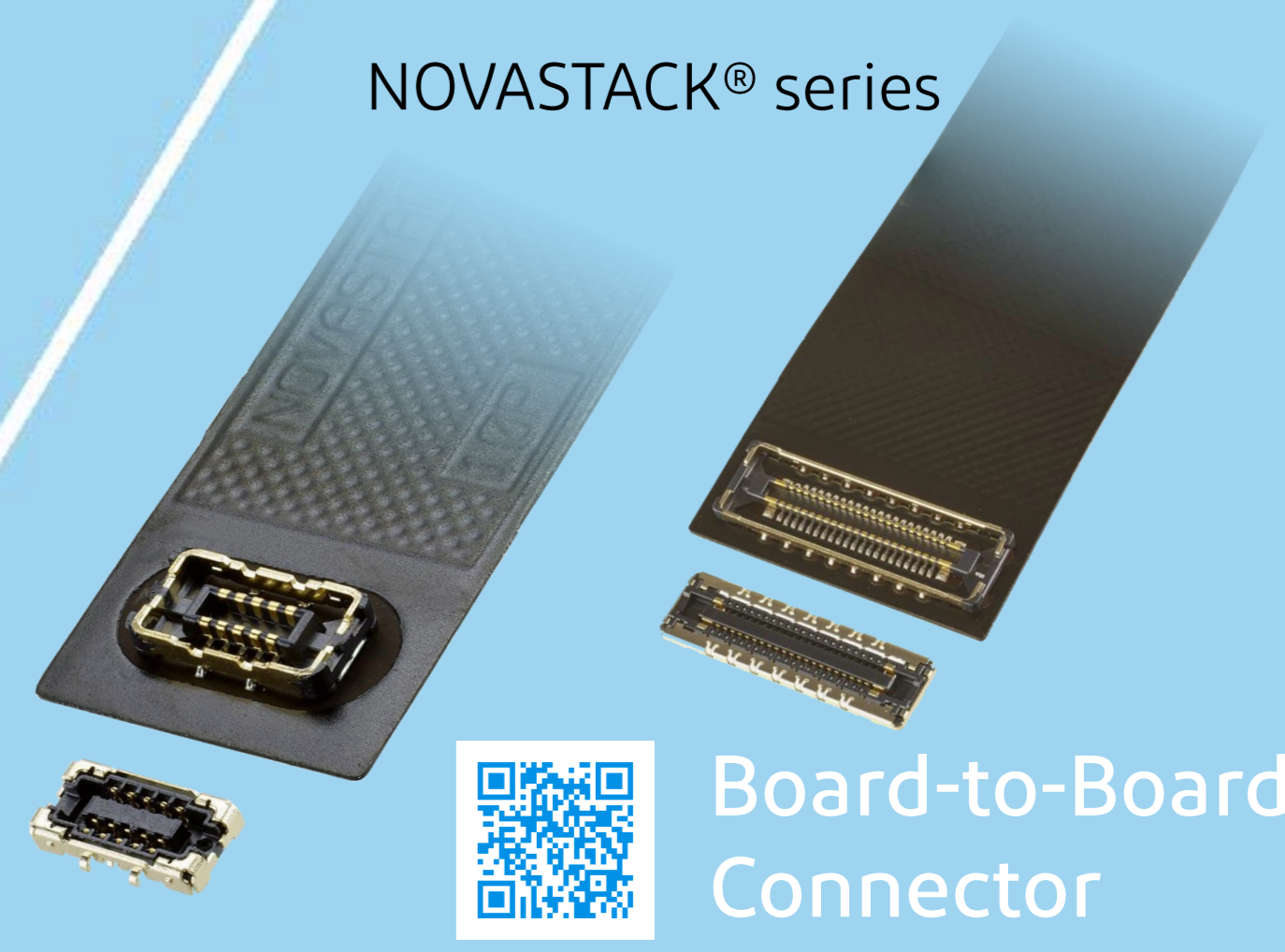
LIGHTPASS® series



NOVASTACK® series



Board-to-Board Connector



Power Connector/Terminal

AP series

ISH® series



MINIFLEX® series

EVAFLEX® series



FPC FFC Connector



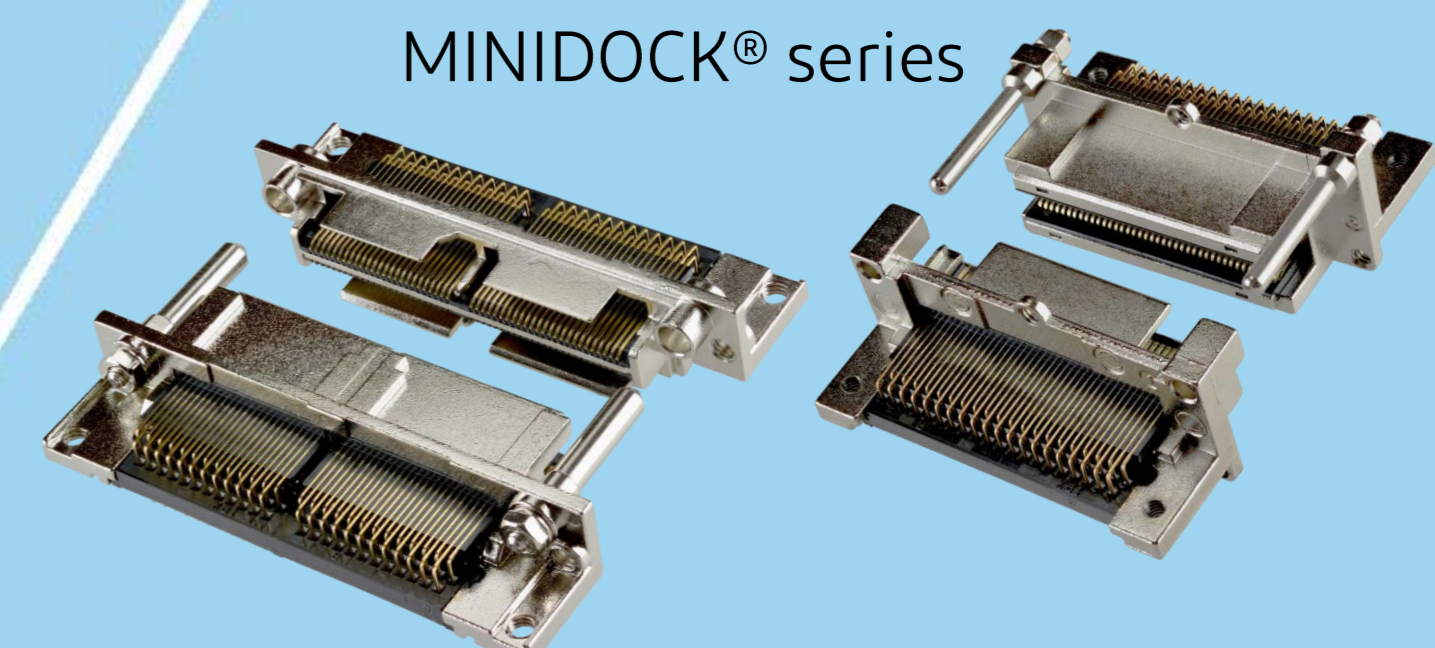
Inquiry



MINIDOCK® series



I/O Connector



I-PEX, MHF, CABLINE, LIGHTPASS, NOVASTACK, ISH, IARPB, MINIFLEX, EVAFLEX, MINIDOCKS and ZenShield are registered trademarks of I-PEX Inc. Please note that the contents in the catalog might be changed without prior notification. I-PEX Inc. assumes no responsibility for any inaccuracies or obligation to update information on these documents. Please be sure to read and understand the latest "Precautions for Use" and "Instruction Manual" before you use our products. We shall not be responsible for any defects, damages or troubles in case you use our products without following the precautions for use. Please feel free to contact our sales representatives when you use our products for any applications that require very high reliability and safety, or that relate to human life (ex. nuclear power control, aerospace, transportation, medical equipment, safety equipment etc.).

Contact your sales representative or more detailed information.

www.i-pex.com



I-PEX

© I-PEX Inc. 2024
All rights reserved