

CABLINE®-UA II

Slim design suitable for through-hole solution, shielding and multi-point ground, 0.3 mm pitch, Right angle vertical mating type micro-coaxial connector



Product Specifications:

Mating type	Right angle vertical	
Board Pitch (mm)	0.6	
Wiping Length (mm)	0.3	
Mated size (mm)	Height	1.37 Max
	Width	5.0 + (0.3*?p)
	Depth	2.9
Pin Counts	Range	Up to 50
	Available	26, 32, 40, 50

Applicable Cable Size:

Maximum O.D. (mm)	0.3
Micro-Coaxial for Signal (AWG)	45ohm : #42 or smaller 50ohm : #44 or smaller
Twin Coaxial (AWG)	-
Discrete (AWG)	#39 or smaller

Applicable Standards (Reference Only):

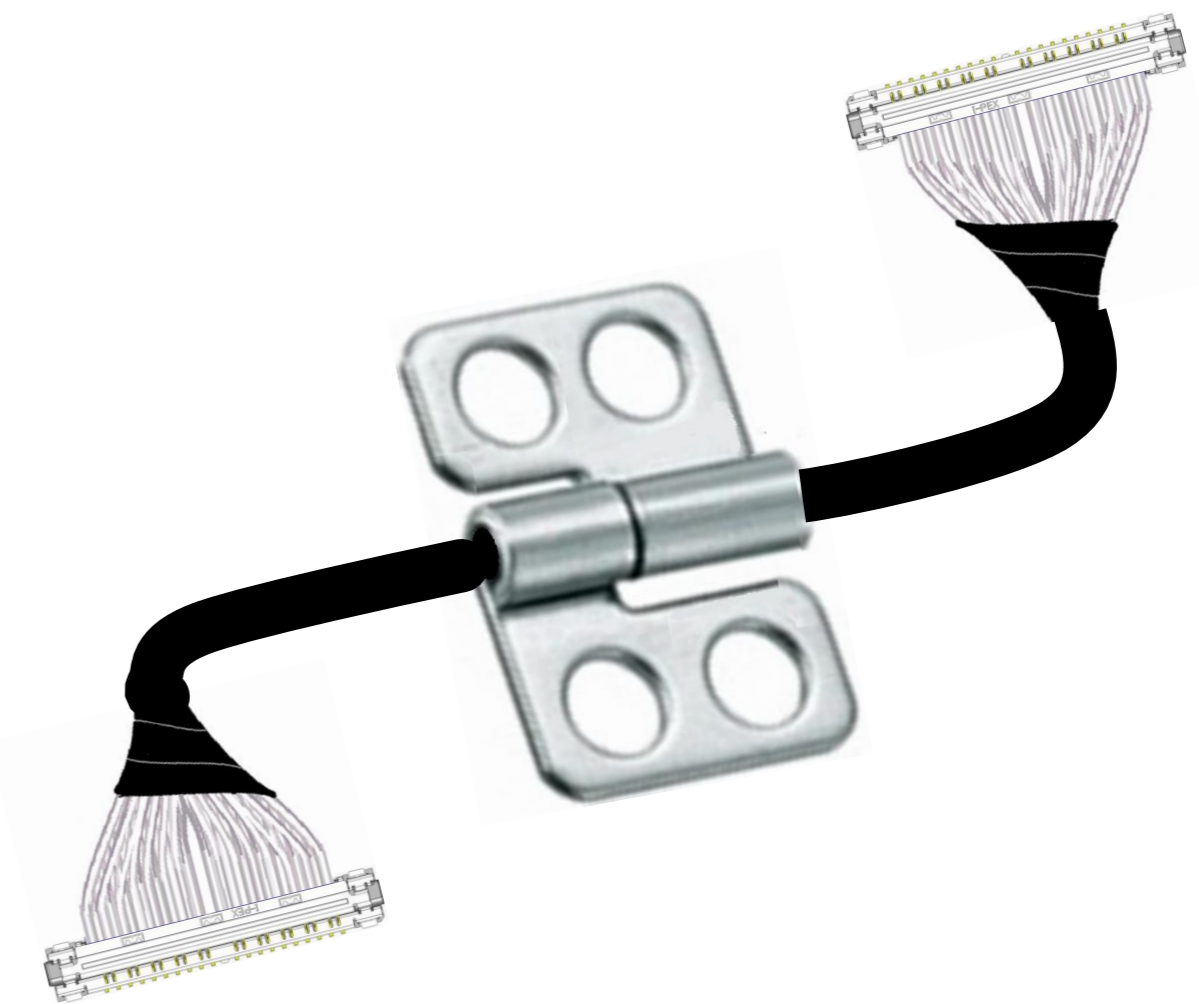
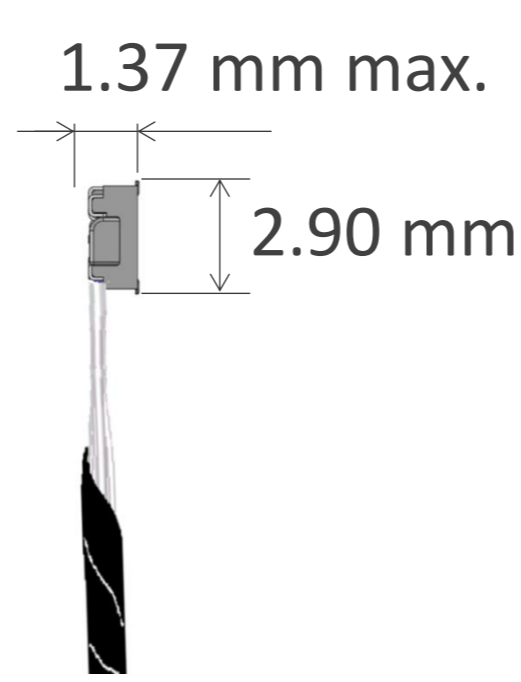
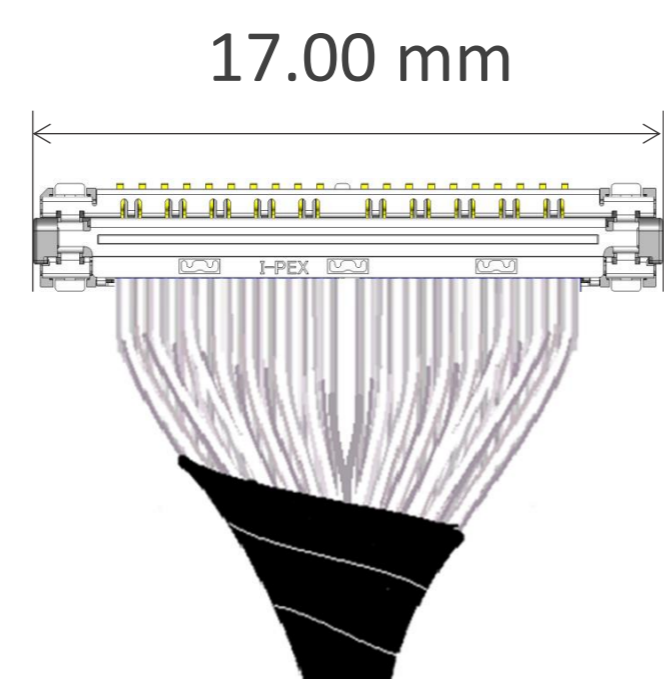
USB 3.1 Gen 1 (5 Gbps) V-By-One HS 1.4 (4 Gbps)
HDMI 1.3 (3.4 Gbps)

* Please inquire for pin counts not listed or outside of the pin count range.

► **Suitable for small connector spaces**

[Hinge Component Pass-Through with CABLINE® Harness Assemblies](#)

CABLINE-UA II 40p size is smaller than a one-cent coin.

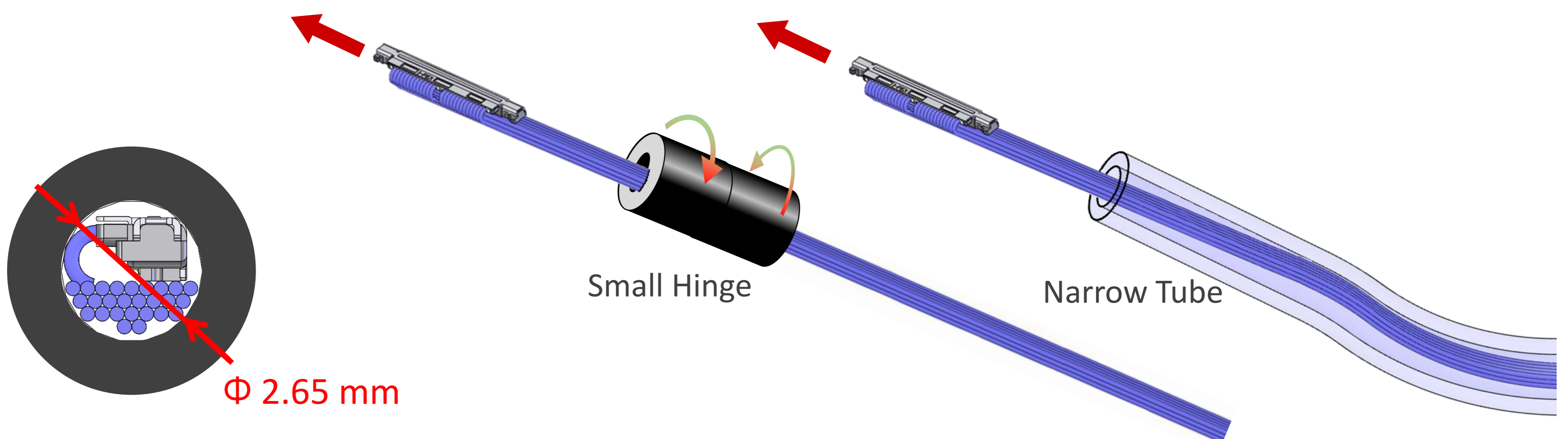


Flexible micro-coaxial cable harness is suitable for small applications with hinge design.

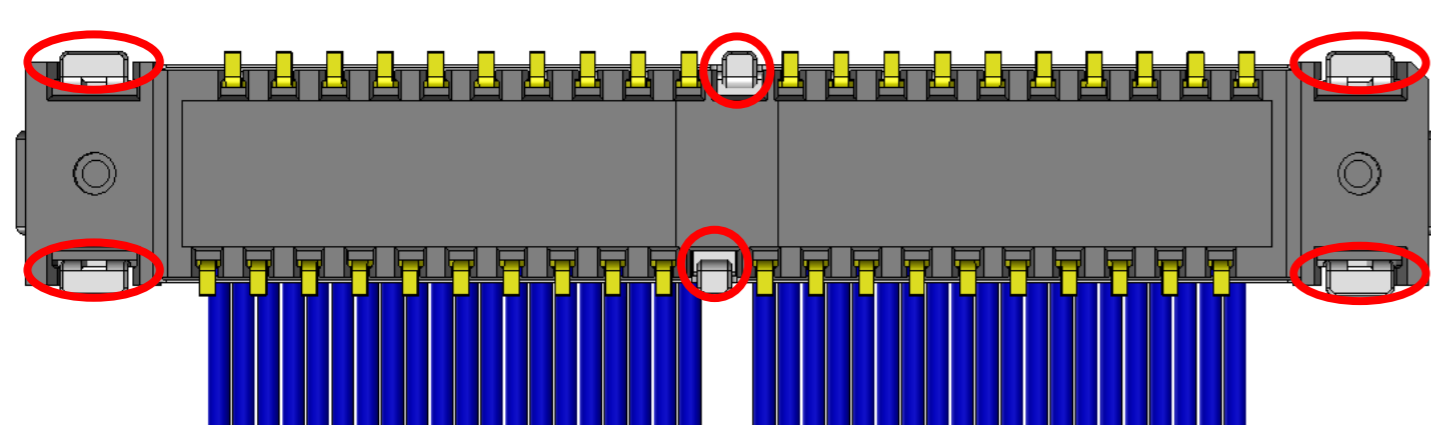
► **Slim plug design, suitable for through-hinge assemblies**

Simulation Reference Example:

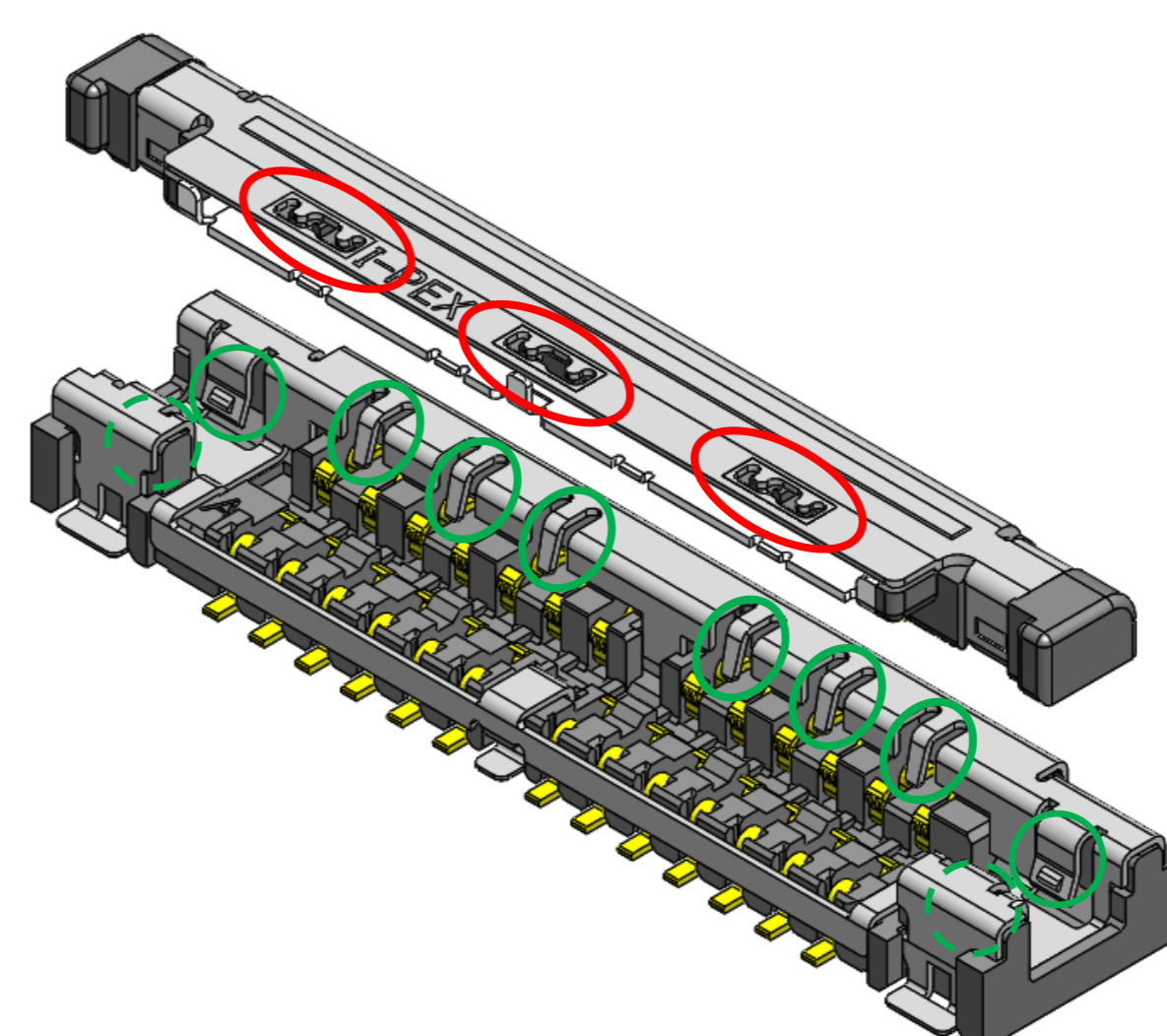
UA II 26p plug with 0.29 mm cable outer diameter harness can go through 2.65 mm inner diameter.



► **EMI shielding and multi-point ground design**



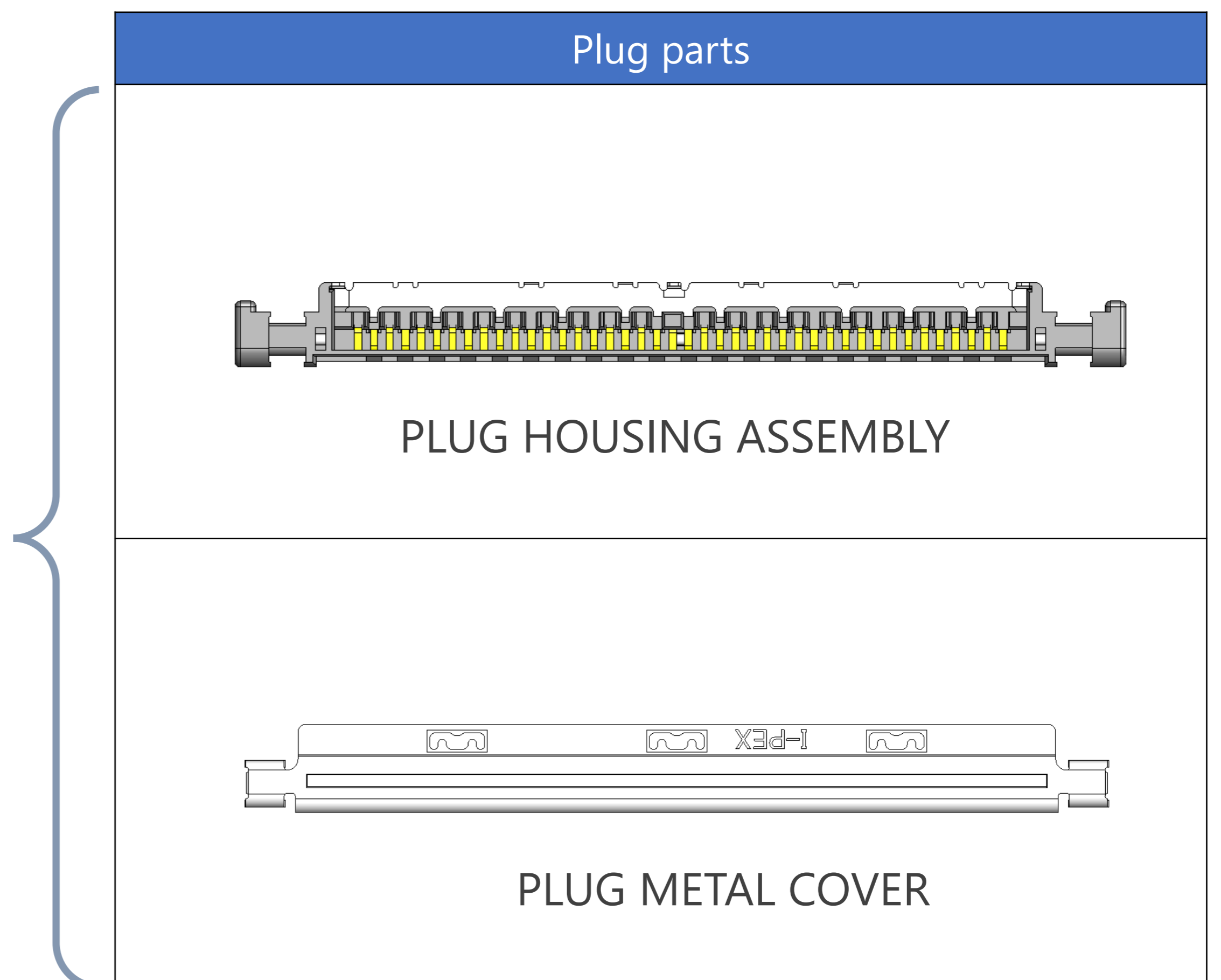
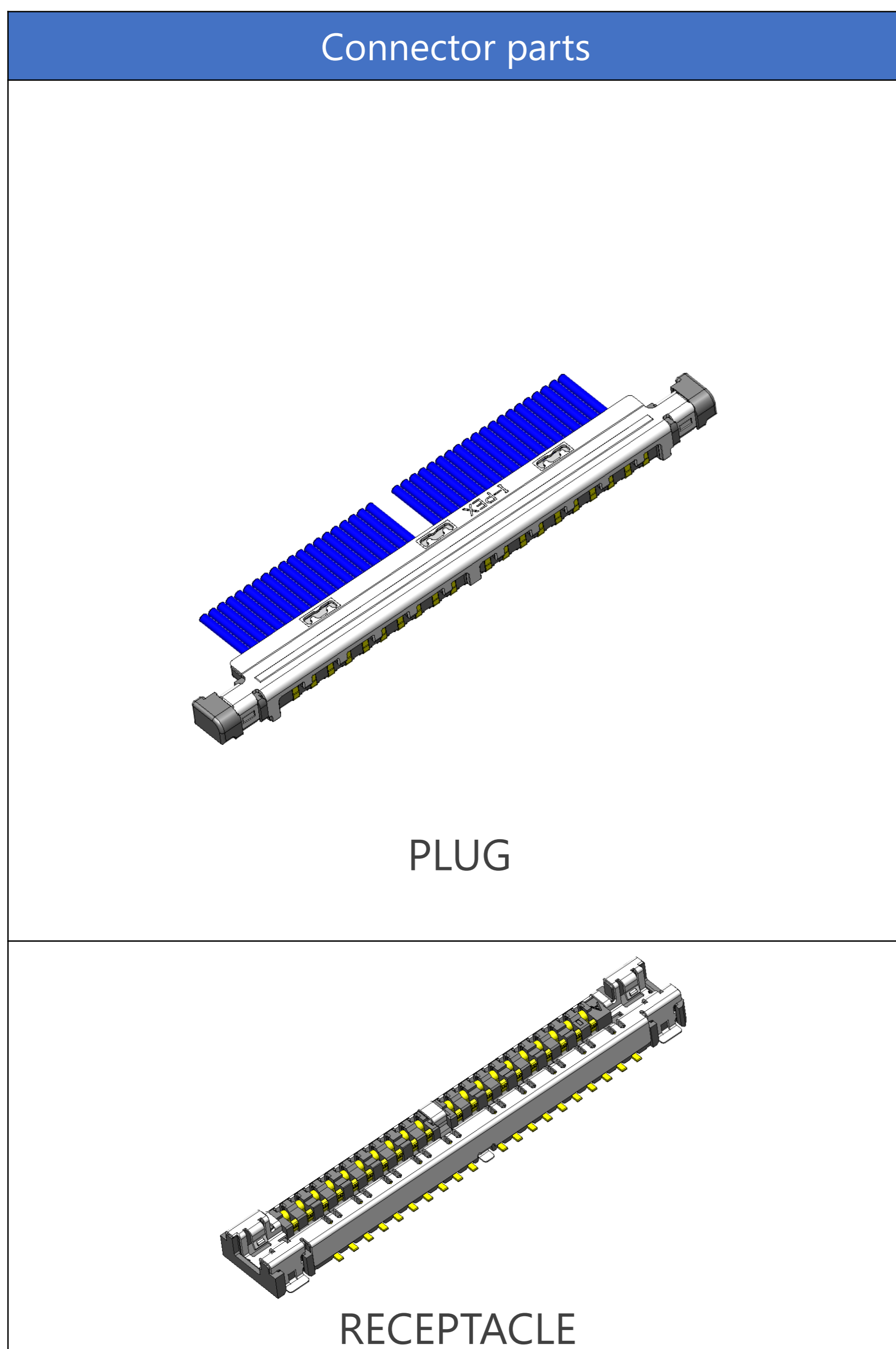
View From Underside



○ Soldered contacts
○ Mechanical contacts

Component Parts Details

Component Parts



Rev.#

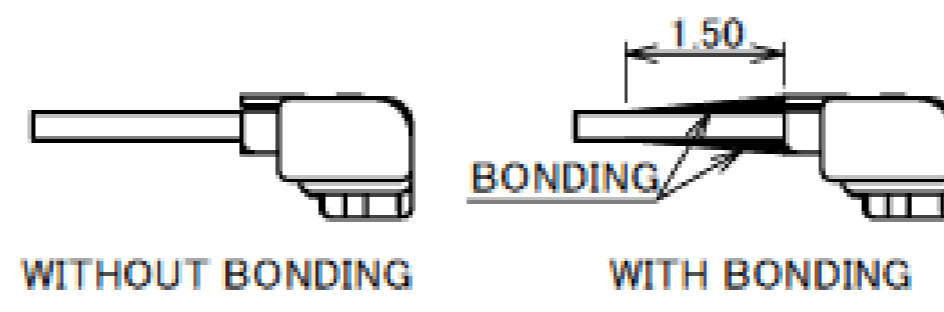
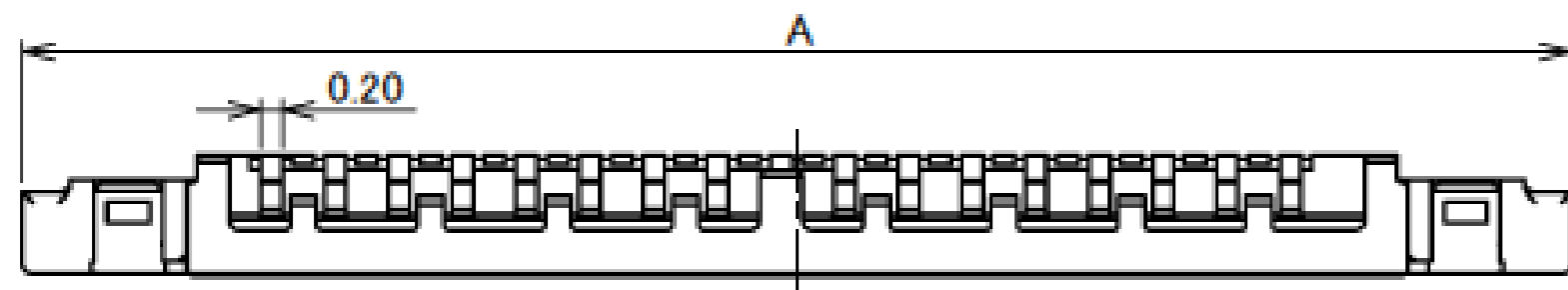
Plug for Cable Assembly

Recommended P/N		20496-0**-40				
PART No.	POS.	A	B	C	D	
20496-026-#0	26	12.8	3.6	8.1	9.6	
20496-032-#0	32	14.6	4.5	9.9	11.4	
◆ 20496-034-#0	34	15.2	4.8	10.5	12.0	
20496-040-#0	40	17.0	5.7	12.3	13.8	
20496-050-#0	50	20.0	7.2	15.3	16.8	

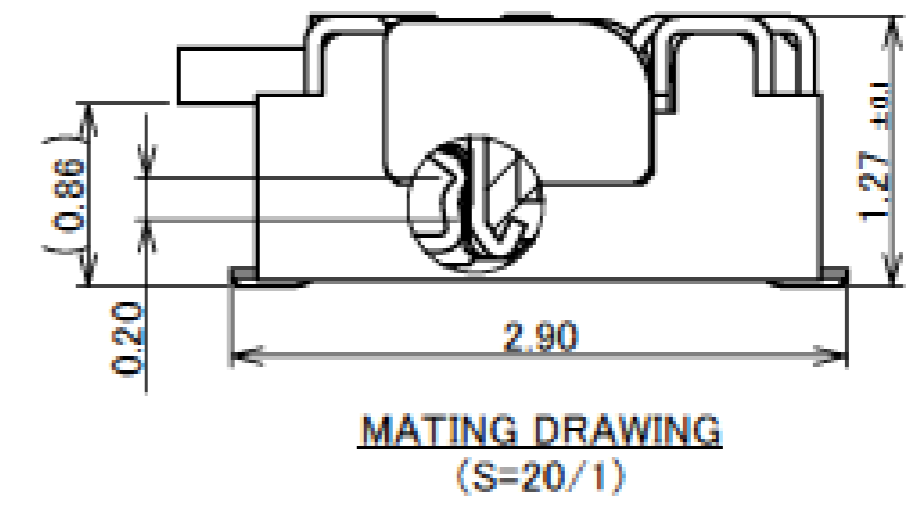
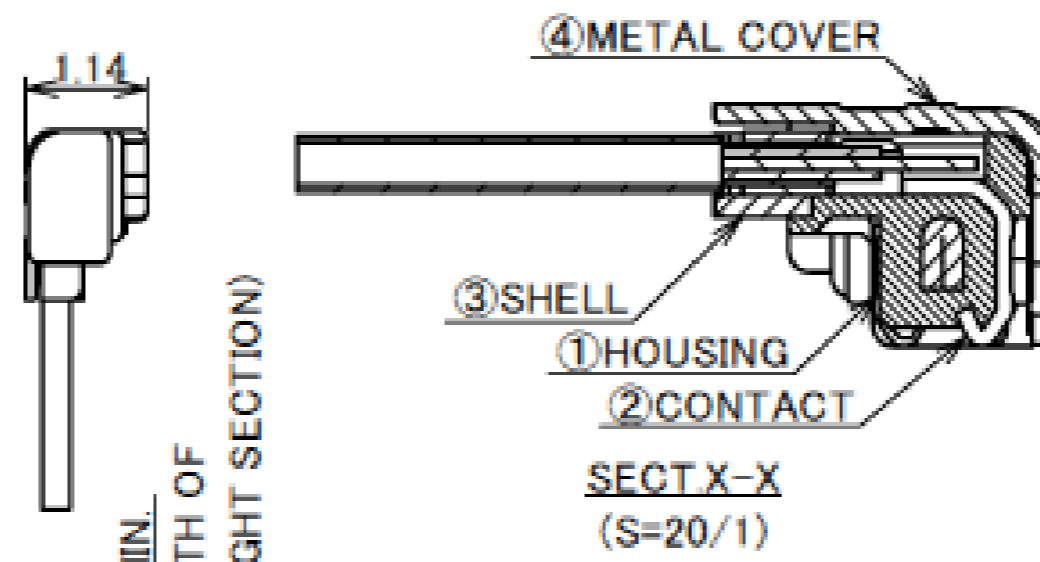
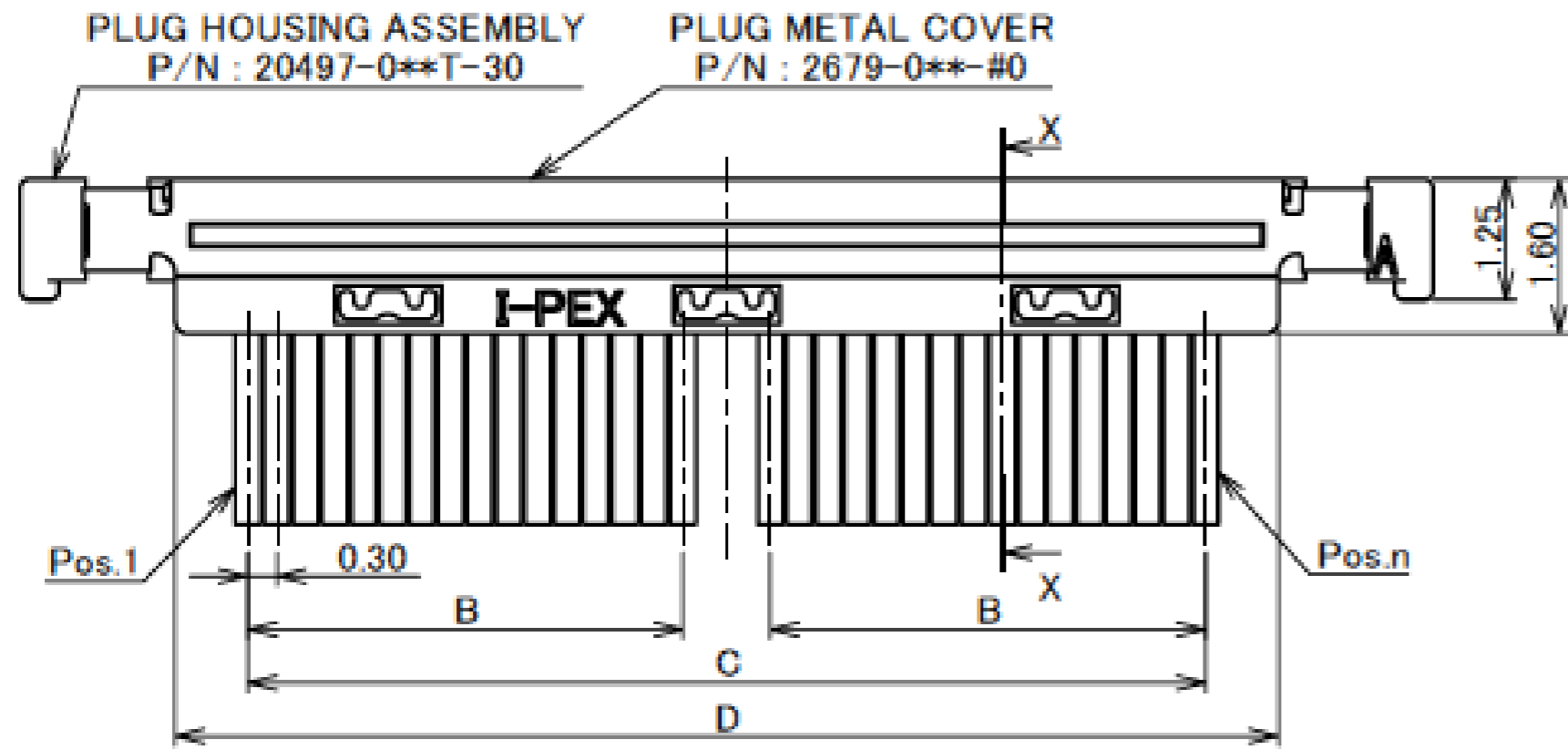
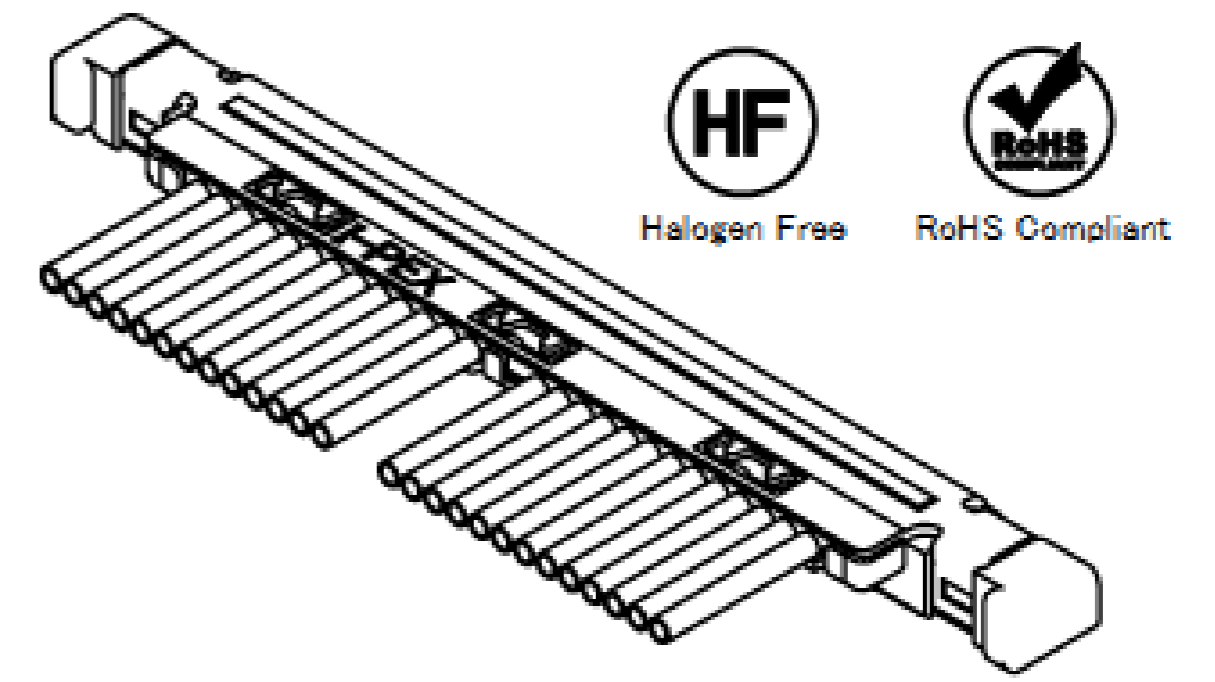
◆ MARK MEANS NOT AVAILABLE

20496-0**-#0
 3: METAL COVER Au PLATING
 4: METAL COVER Sn PLATING
 Pos.

PART COMBINATION TABLE			
PLUG CABLE ASSEMBLY	HOUSING ASSEMBLY	METAL COVER	RECEPTACLE ASSEMBLY
20496-0**-30	20497-0**T-30	2679-0**-00	20498-0**E-3#
20496-0**-40		2679-0**-10	20498-0**E-4#

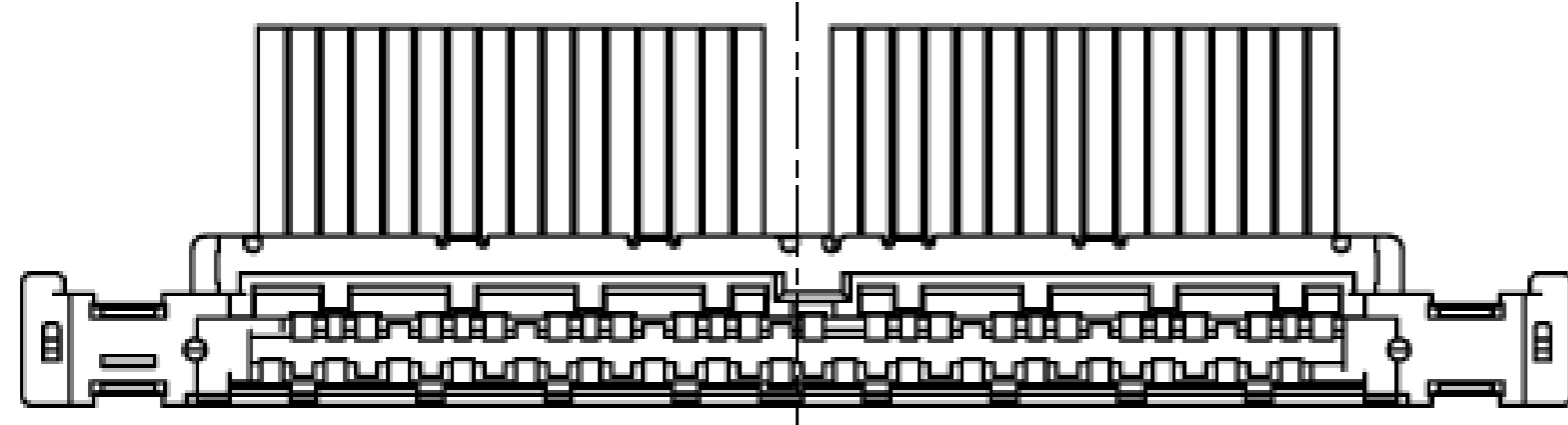


ASSEMBLY STATE
 ※WE RECOMMEND BONDING THE CABLE AND CONNECTOR TO PROTECT THE CABLE.



※1: THE BEND DIMENSIONS MAY VARY BASED ON THE SIZE AND QUANTITY OF CABLES. PLEASE CONFIRM THE MINIMUM BENDING RADIUS WITH I-PEX OR THE HARNESS MANUFACTURER.

NO.	DISCRIPTION	MATERIAL	FINISH, REMARKS
4	METAL COVER	STAINLESS STEEL	P/N 20496-0**-30: Au 0.05 μm MIN. OVER Ni 1.00 μm MIN. P/N 20496-0**-40: Sn 1.00 μm MIN. OVER Ni 1.00 μm MIN.
3	SHELL	PHOSPHOR BRONZE	Ni 1.00 μm MIN.
2	CONTACT	PHOSPHOR BRONZE	Au 0.10 μm MIN. OVER Ni 1.00 μm MIN.
1	HOUSING	LCP	UL94V-0. BLACK



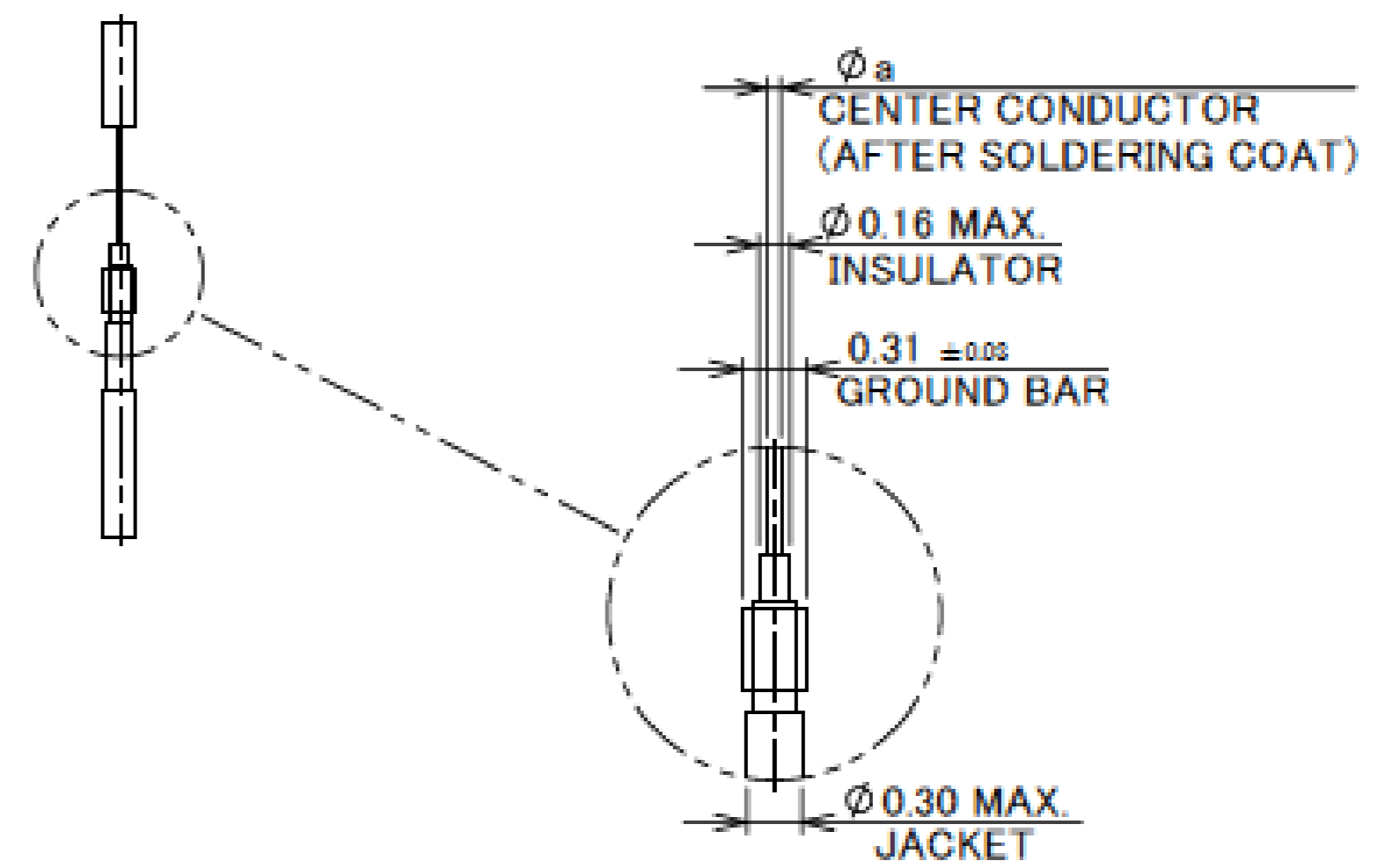
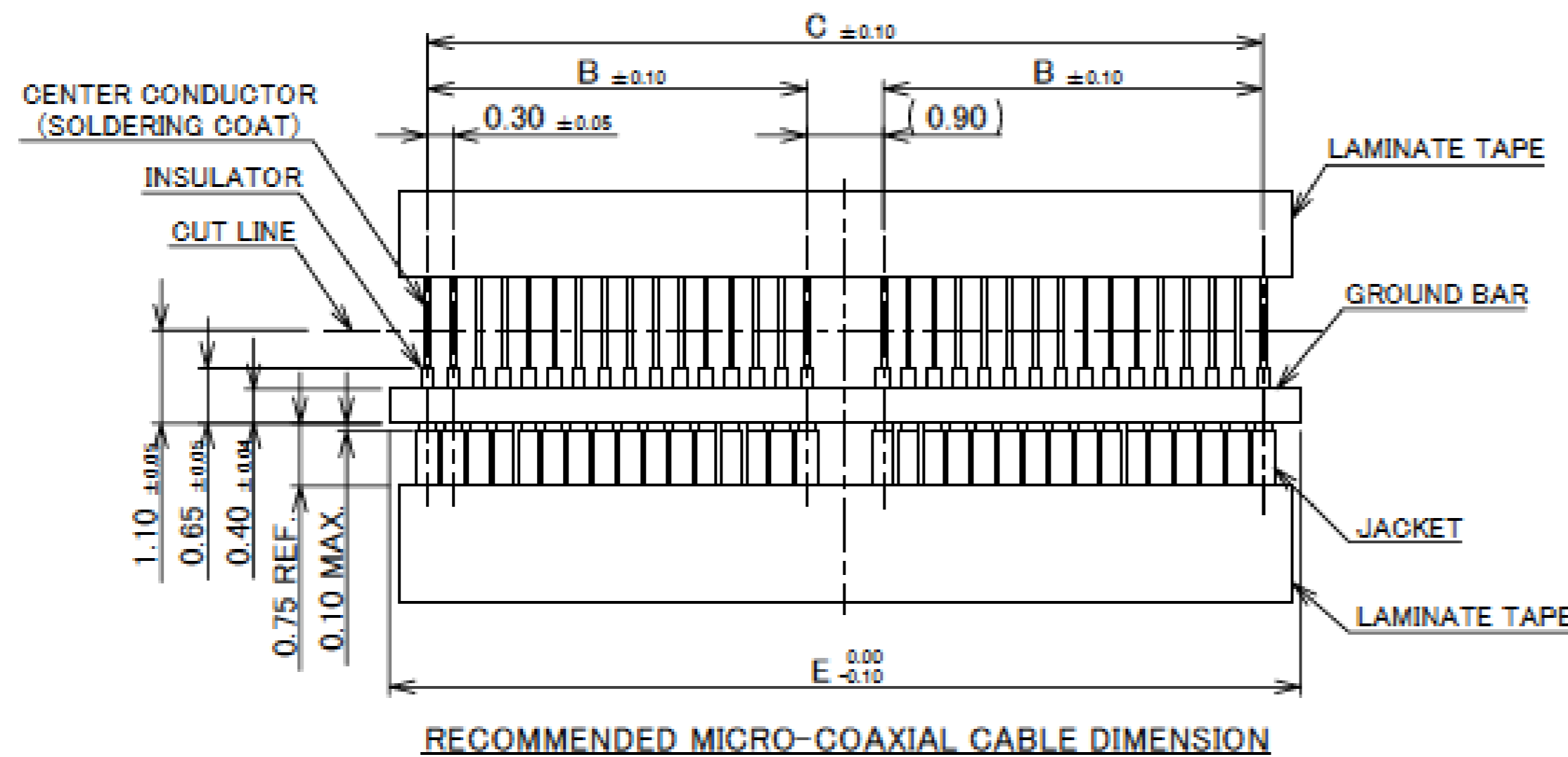
Rev.18

PART No.	POS.	B	C	E
20496-026-#0	26	3.6	8.1	9.0
20496-032-#0	32	4.5	9.9	10.8
◆ 20496-034-#0	34	4.8	10.5	11.4
20496-040-#0	40	5.7	12.3	13.2
20496-050-#0	50	7.2	15.3	16.2

◆ MARK MEANS NOT AVAILABLE

MICRO-COAXIAL CABLE DIMENSION

	a
#42	∅ 0.075
#44	∅ 0.063
#46	∅ 0.048

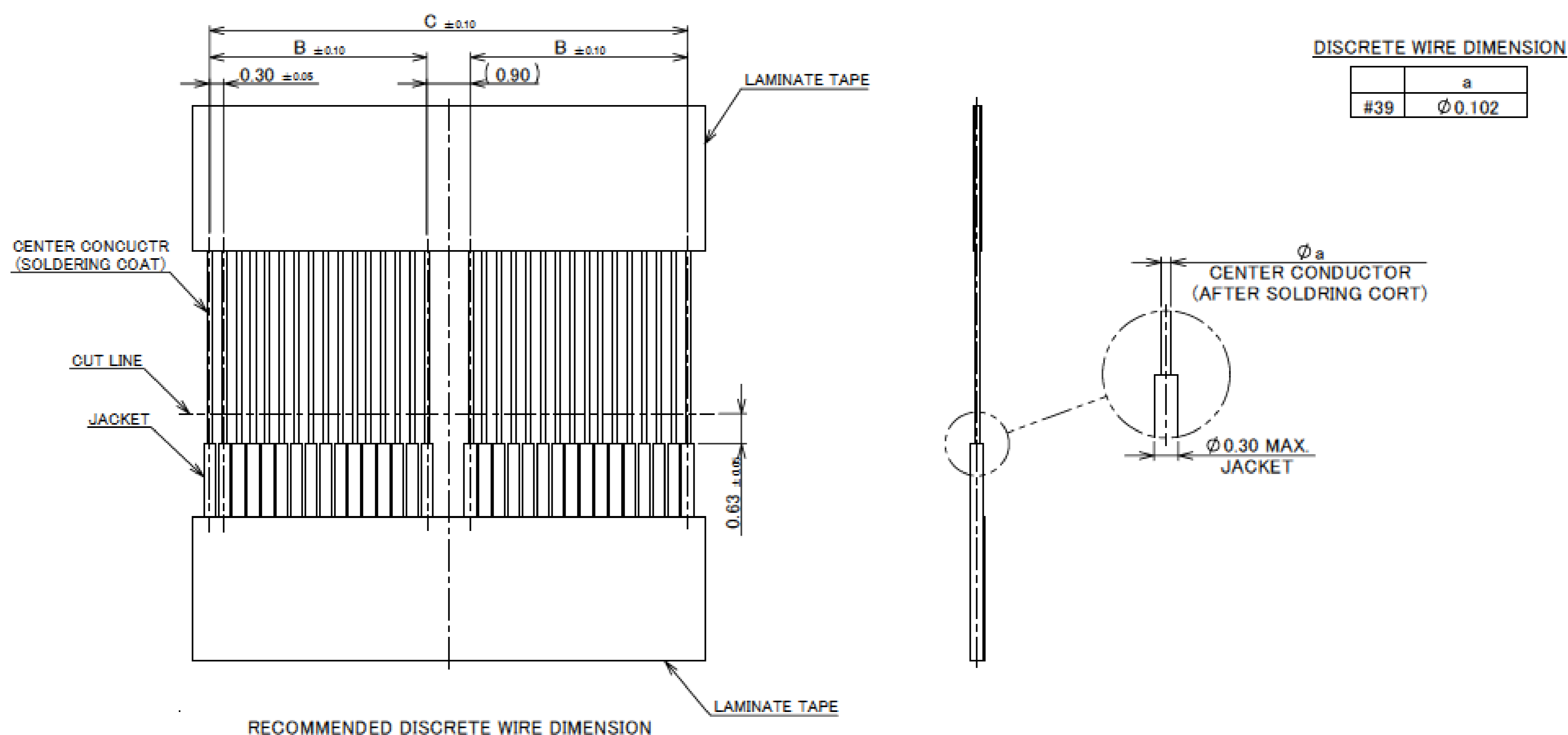


Rev.18

Plug for Cable Assembly

	PART No.	POS.	B	C
	20496-026-#0	26	3.6	8.1
	20496-032-#0	32	4.5	9.9
◆	20496-034-#0	34	4.8	10.5
	20496-040-#0	40	5.7	12.3
	20496-050-#0	50	7.2	15.3

◆ MARK MEANS NOT AVAILABLE



Rev.18

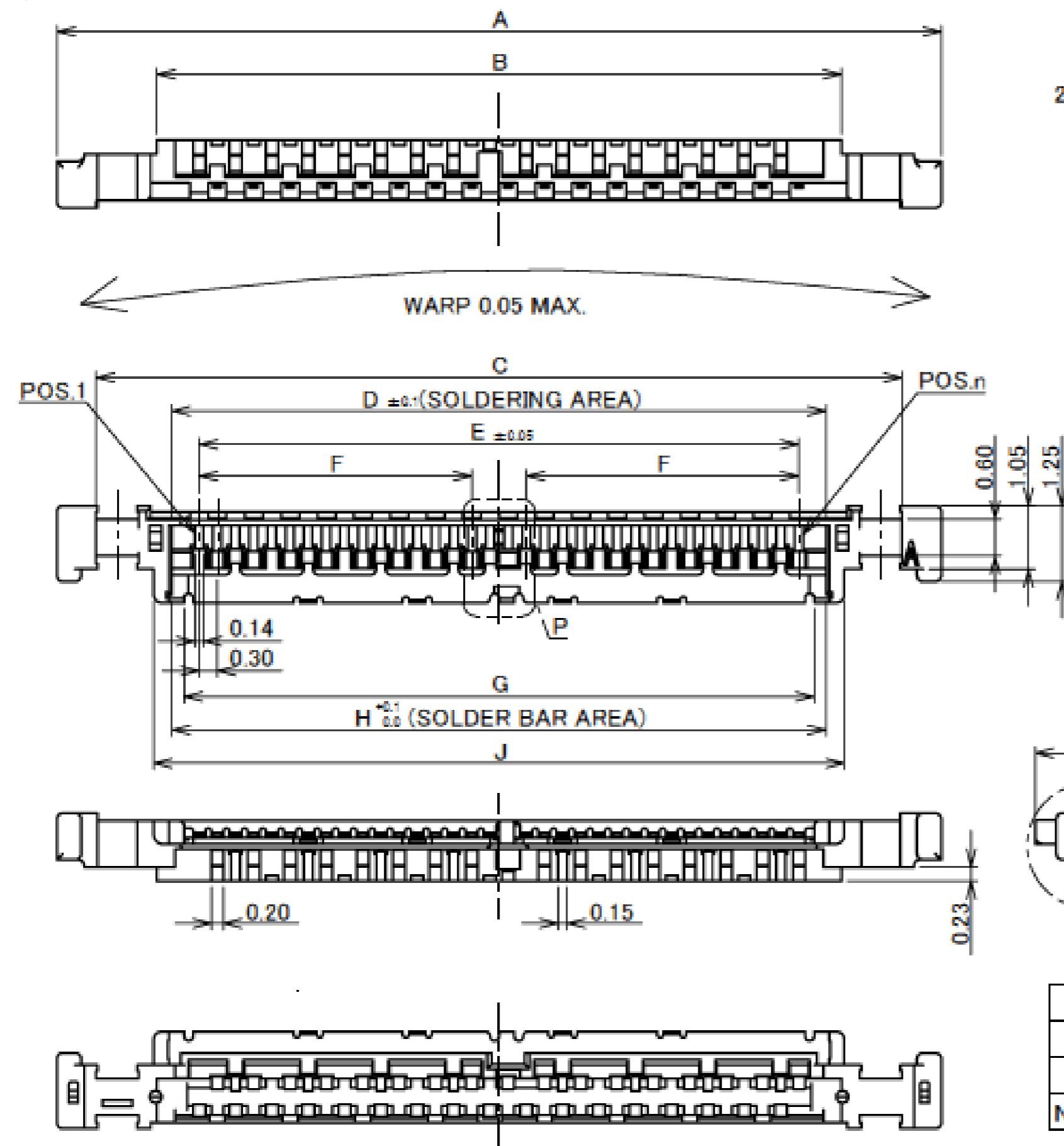
ITEMS	SPECIFICATION
APPLICABLE CABLE	MICRO-COAXAL CABLE : AWG# 46 , 44 , 42 DISCRETE WIRE : AWG# 39
RATING VOLTAGE	50V AC (PER CONTACT PIN) ※THIS IS THE RATED VOLTAGE OF THE CONNECTOR. PLEASE NOTE THAT THE RATED VOLTAGE MAY VARY IN THE HARNESS DEPENDING ON THE CABLES USED.
RATING AMPERAGE (FOR CONTACT)	0.50A AC/DC [AWG#39] (PER CONTACT PIN / UP TO 10 CONTACTS) 0.15A AC/DC [AWG#46] 0.19A AC/DC [AWG#44] 0.20A AC/DC [AWG#42]
OPERATING TEMPERATURE	233~358K(-40°C~+85°C)
OPERATING HUMIDITY	85% MAX.(NON-CONDENSING)
CONTACT RESISTANCE	INITIAL : 450mohm MAX.(AWG#39) 700mohm MAX.(AWG#42) 1080mohm MAX.(AWG#44) 1880mohm MAX.(AWG#46) AFTER TEST : \triangleleft40mohm MAX.
GROUND CONTACT RESISTANCE	INITIAL : 100mohm MAX. / AFTER TEST : \triangleleft40mohm MAX.
INSULATION RESISTANCE	INITIAL : 100Mohm MIN. / AFTER TEST : 100Mohm MIN.
DIELECTRIC WITHSTANDING VOLTAGE	AC100V 1min
DURABILITY	20 CYCLES
MATING FORCE (INITIAL / 20 CYCLES)	26P : 28.0N MAX. 32P : 34.5N MAX. 40P : 40.0N MAX. 50P : 50.0N MAX.
UNMATING FORCE (INITIAL / 20 CYCLES)	26P : 3.0N MIN. 32P : 3.0N MIN. 40P : 3.0N MIN. 50P : 3.0N MIN.
CABLE RETENTION FORCE	15.0N MIN. (AWG# 44)
PRODUCT SPECIFICATION	PRS-1469
TEST REPORT	TR-09032
INSTRUCTION MANUAL	HIM-09006
ASSEMBLY MANUAL	ASM-09004
APPEARANCE CRITERIA No.	QLS-A***

Rev.18

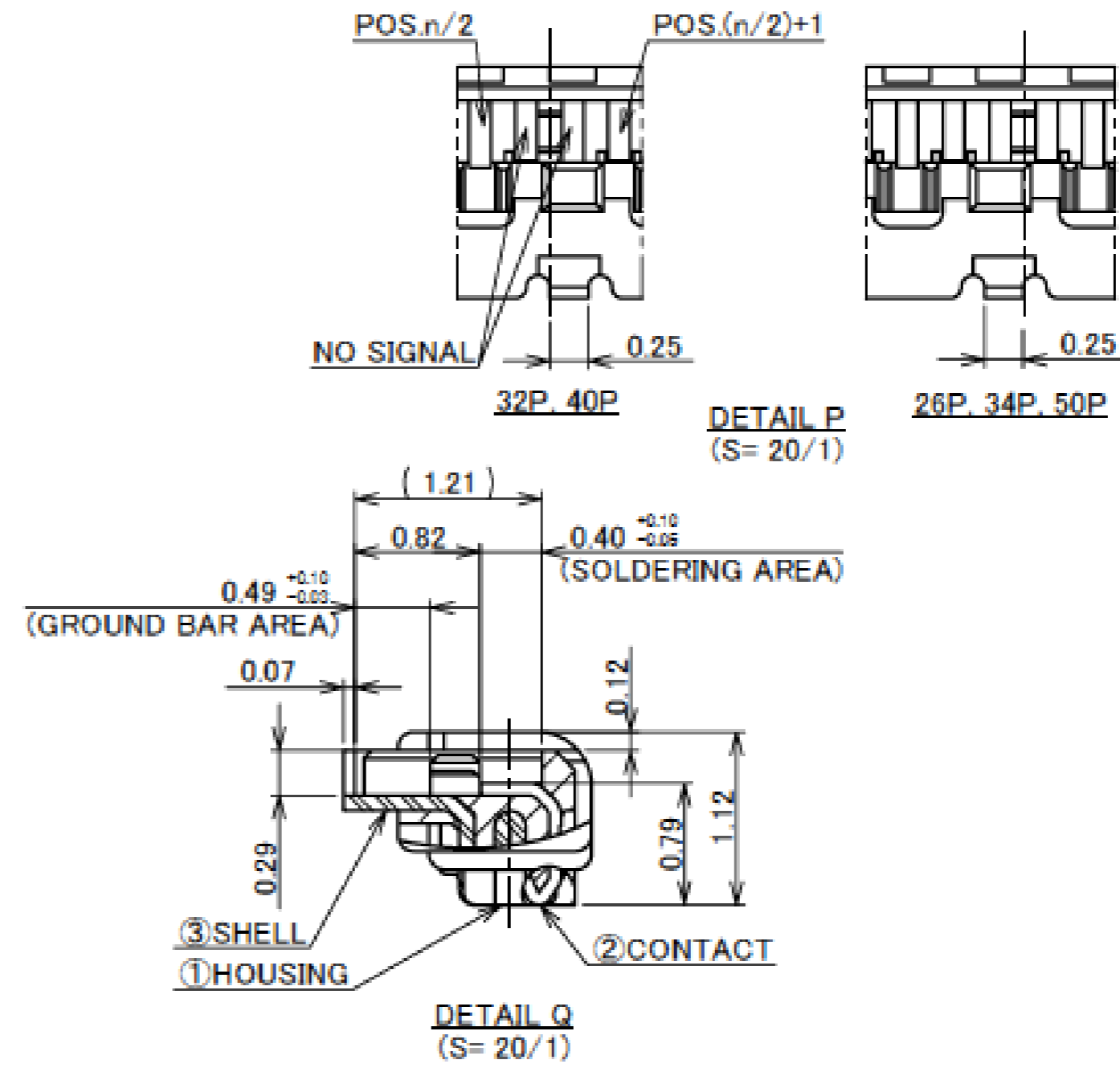
Plug Housing Assembly

Recommended P/N		20497-0**T-30									
PART No.	POS.	A	B	C	D	E	F	G	H	J	
20497-026T-30	26	12.8	9.5	11.5	9.0	8.1	3.6	8.6	9.0	9.6	
20497-032T-30	32	14.6	11.3	13.3	10.8	9.9	4.5	10.4	10.8	11.4	
◆ 20497-034T-30	34	15.2	11.9	13.9	11.4	10.5	4.8	11.0	11.4	12.0	
20497-040T-30	40	17.0	13.7	15.7	13.2	12.3	5.7	12.8	13.2	13.8	
20497-050T-30	50	20.0	16.7	18.7	16.2	15.3	7.2	15.8	16.2	16.8	

◆ MARK MEANS NOT AVAILABLE.



PART COMBINATION TABLE		
PLUG CABLE ASS'Y	PLUG HOUSING ASS'Y	METAL COVER
20496-0**-30	20497-0**T-30	2679-0**-00
20496-0**-40		2679-0**-10



NO.	DISCRIPTION	MATERIAL	FINISH , REMARKS
3	SHELL	PHOSPHOR BRONZE	Ni 1.00 μm MIN.
2	CONTACT	PHOSPHOR BRONZE	Au 0.1 μm MIN. OVER Ni 1.00 μm MIN.
1	HOUSING	LCP	UL94V-0, BLACK

NOTES

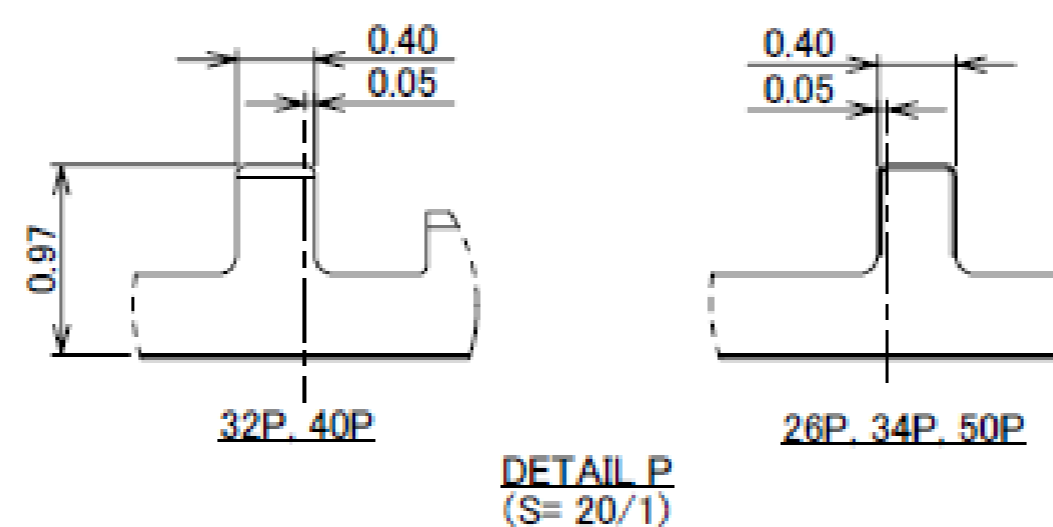
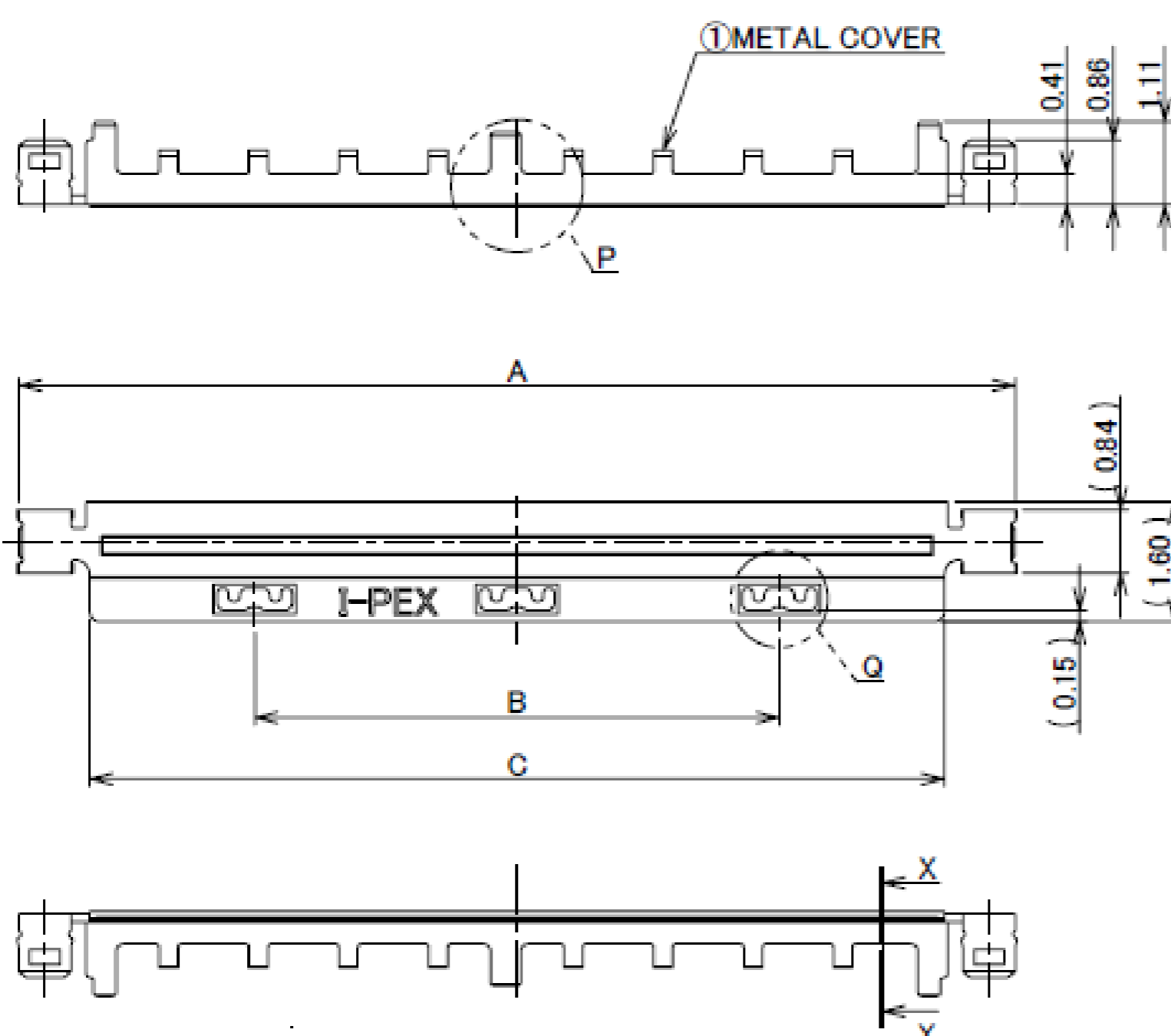
- THIS PART IS ASSEMBLED METAL COVER (P/N 2679-0**-#0) AFTER SOLDERED THE COAXIAL CABLE, AND IT BECOMES P/N 20496-0**-#0.
- PRODUCT SPECIFICATION : DOCUMENT No. PRS-1469
ASSEMBLY MANUAL : DOCUMENT No. ASM-09004

Rev.13

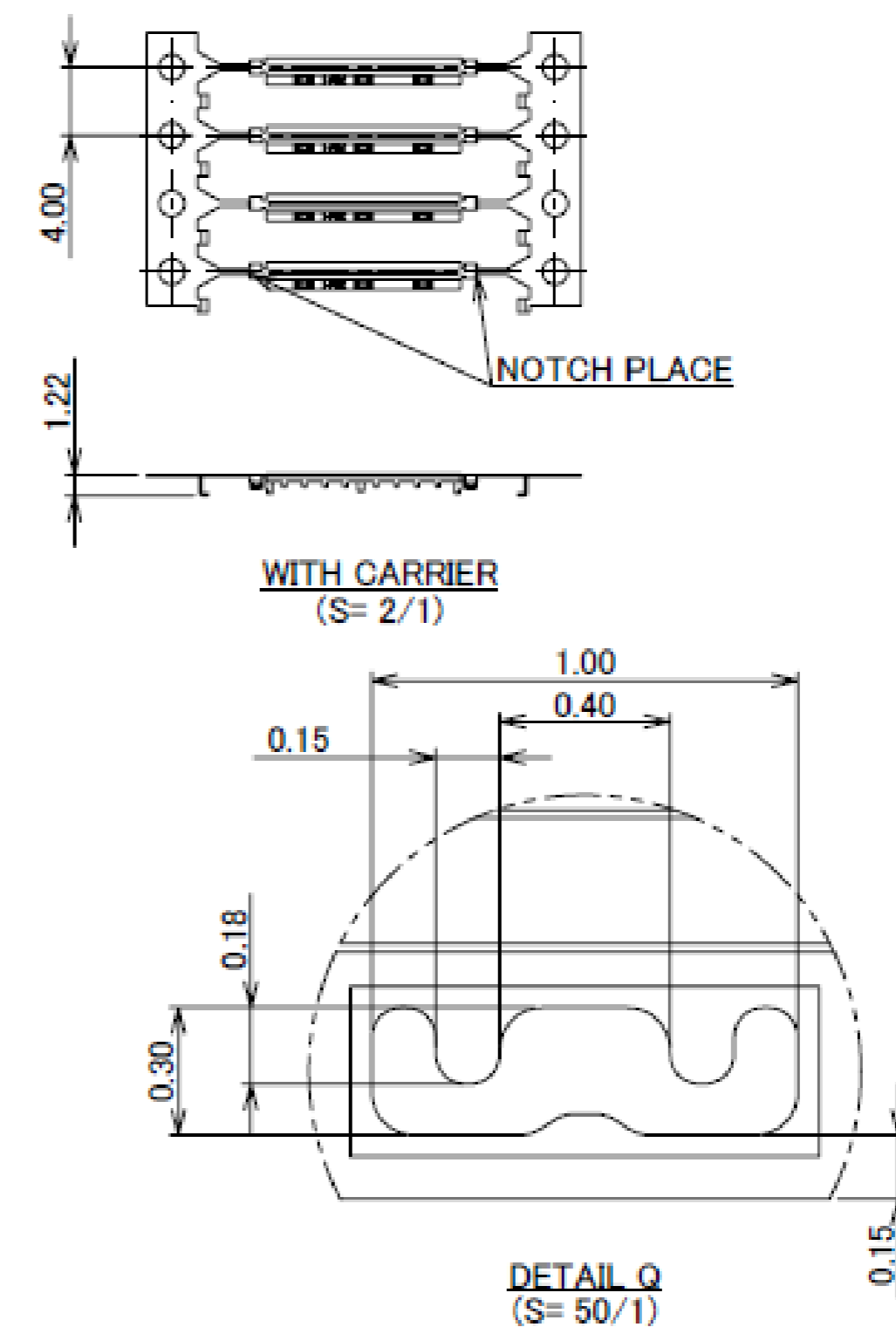
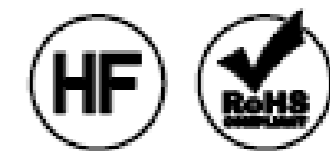
Plug Metal Cover

Recommended P/N		2679-0**-10		
PART NO.	POS.	A	B	C
2679-026-#0	26	11.5	6.0	9.6
2679-032-#0	32	13.3	7.0	11.4
◆ 2679-034-#0	34	13.9	8.0	12.0
2679-040-#0	40	15.7	8.0	13.8
2679-050-#0	50	18.7	12.0	16.8

◆ MARK MEANS NOT AVAILABLE.



2679-0**-#0
0: METAL COVER Au PLATING
1: METAL COVER Sn PLATING
Pos.



NO.	DISCRIPTION	MATERIAL	FINISH , REMARKS
1	METAL COVER	STAINLESS STEEL	t=0.12 P/N 2679-0**-00: Au 0.05 μm MIN. OVER Ni 1.00 μm MIN. P/N 2679-0**-10: Sn 1.00 μm MIN. OVER Ni 1.00 μm MIN.

NOTES

- APPLICABLE PLUG HOUSING ASS'Y
P/N 20497-0**T-30
- PRODUCT SPECIFICATION : DOCUMENT No. PRS-1469
ASSEMBLY MANUAL : DOCUMENT No. ASM-09004

Rev.8

Receptacle Assembly

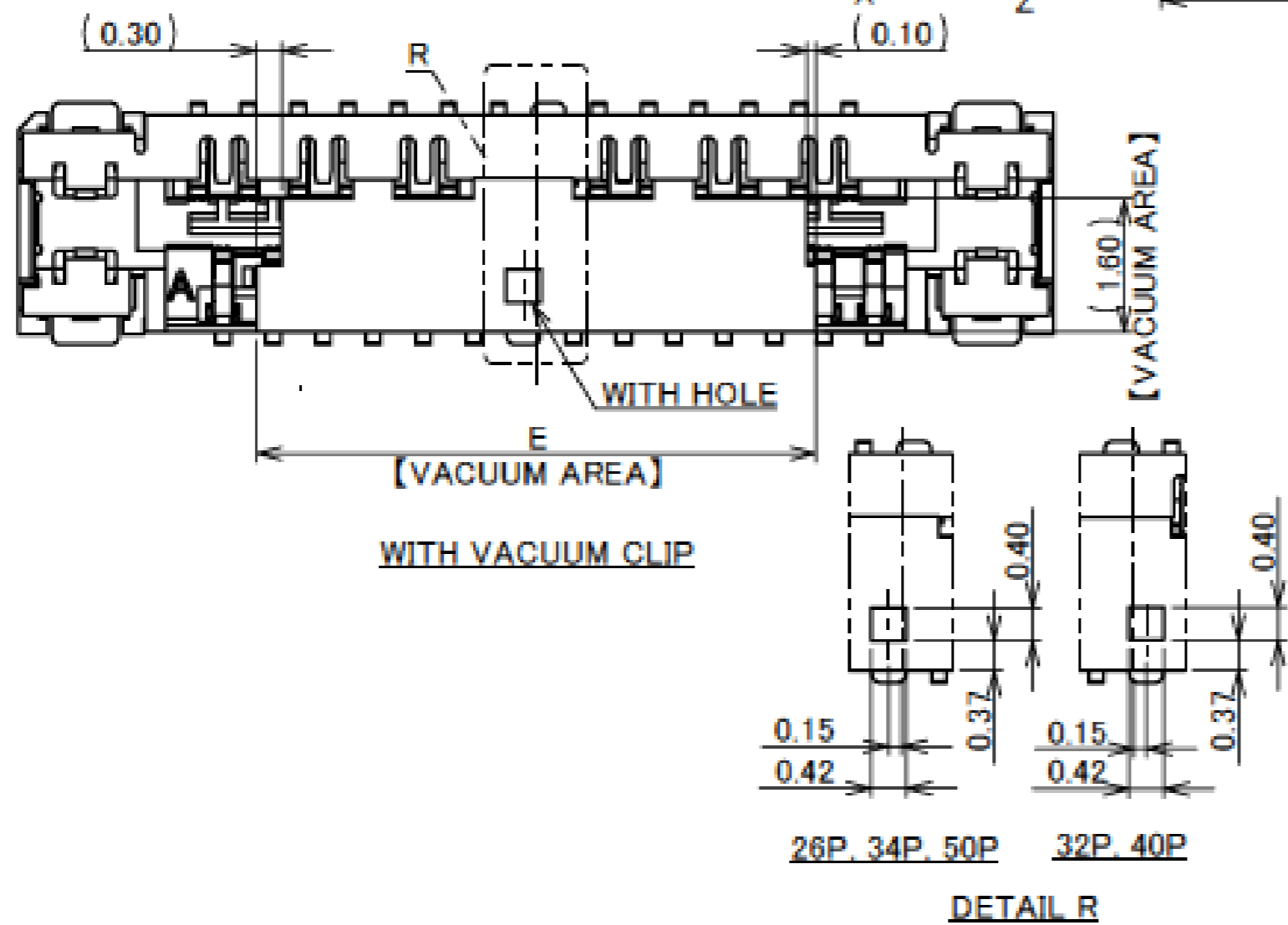
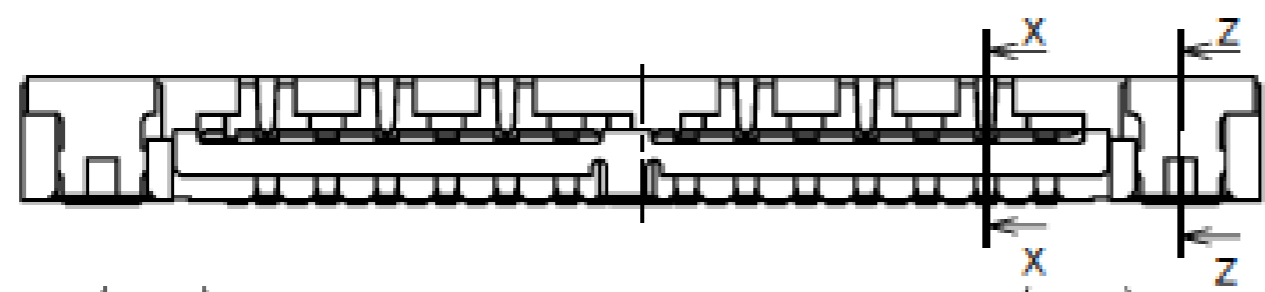
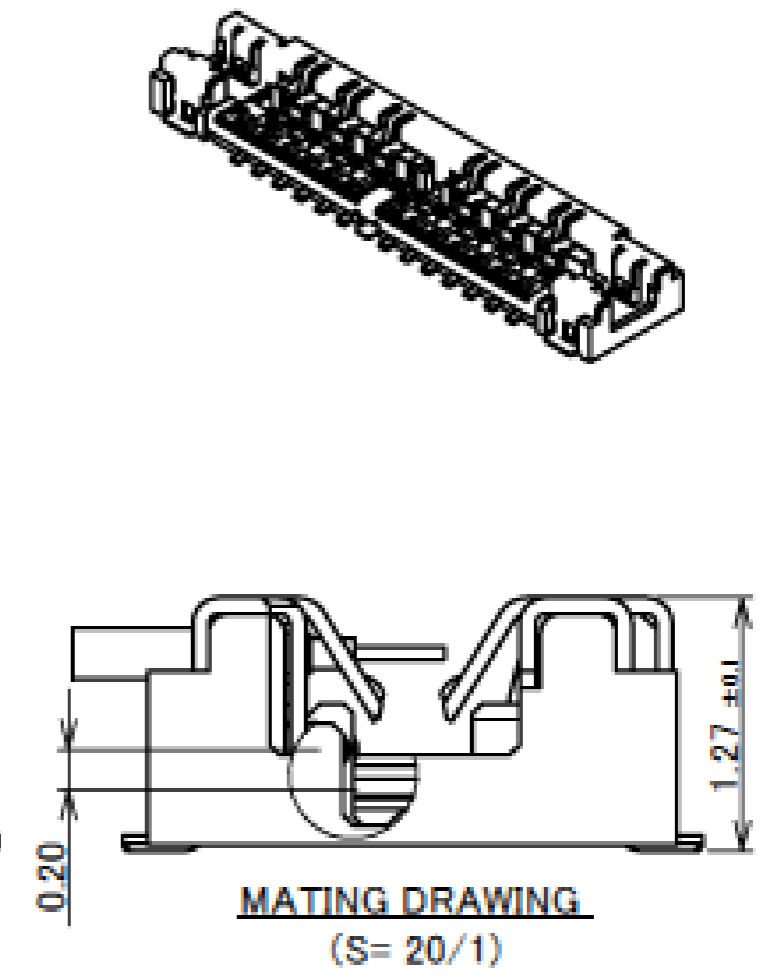
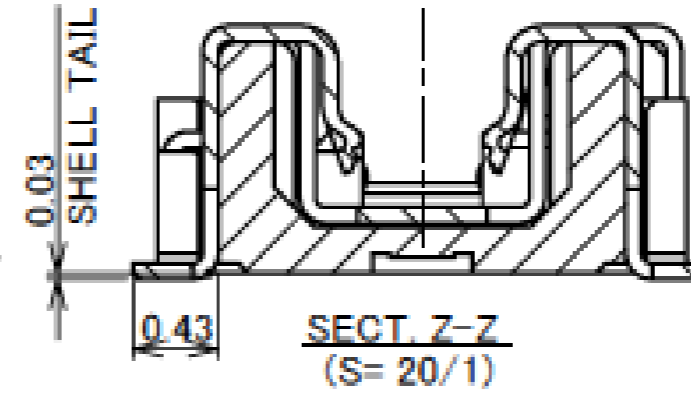
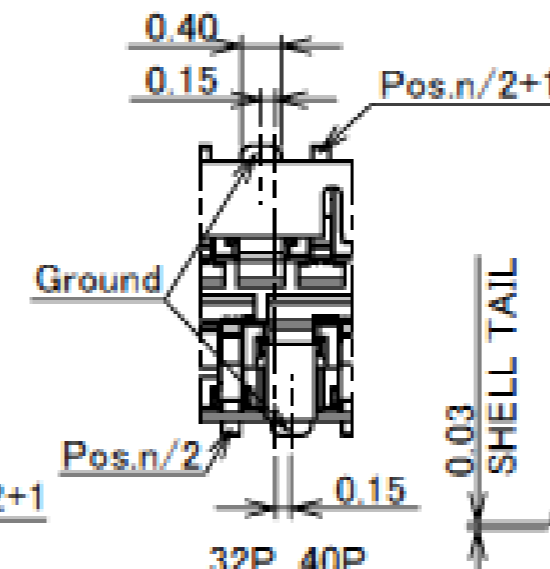
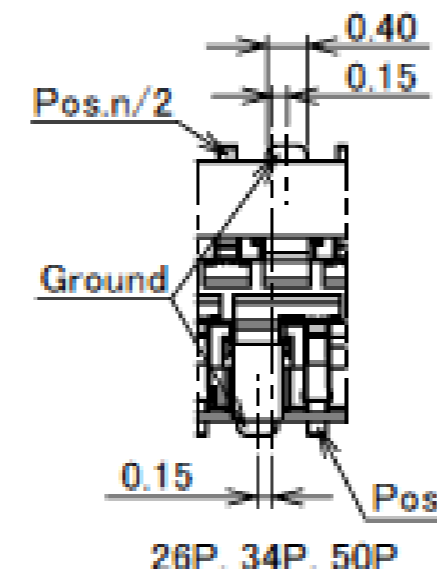
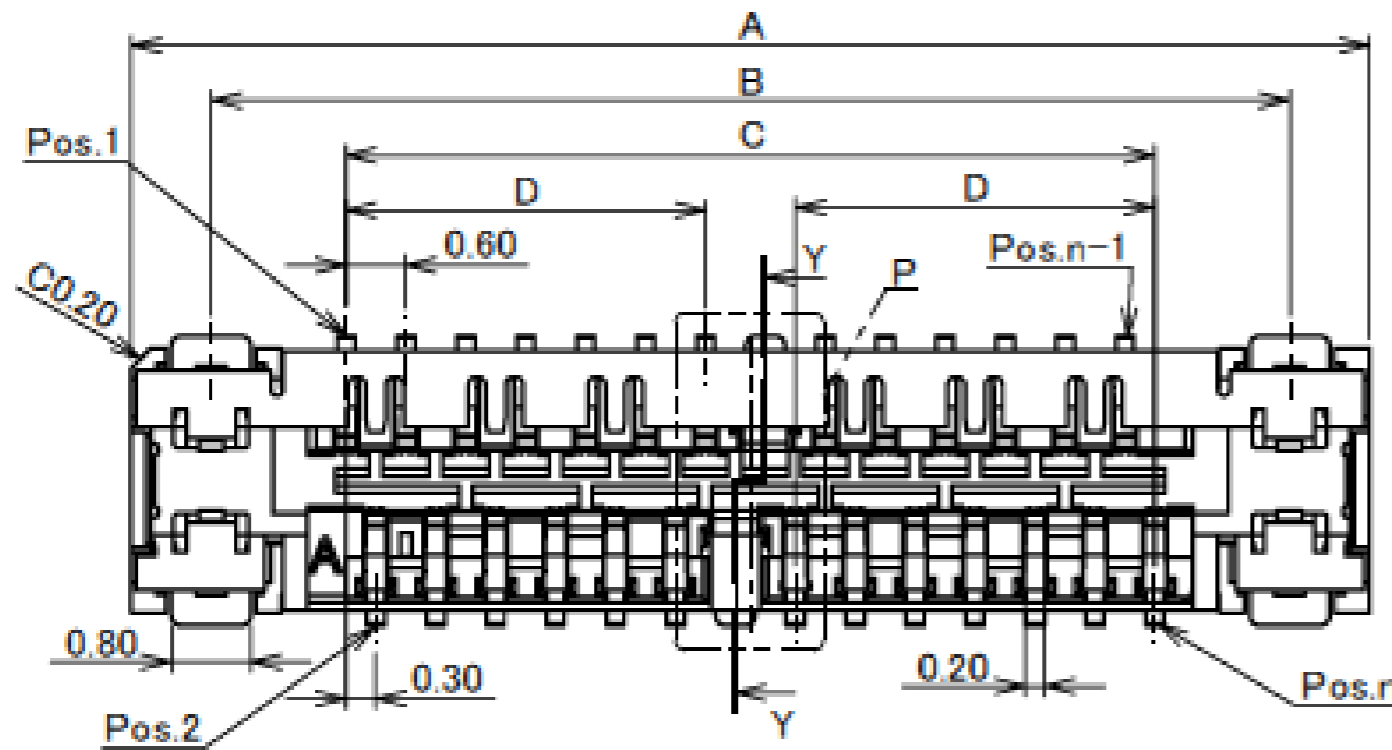
Recommended P/N		20498-0**E-41				
PART No.	Pos.	A	B	C	D	E
20498-026E-##	26	12.4	10.8	8.1	3.6	6.7
20498-032E-##	32	14.2	12.6	9.9	4.5	10.9
◆ 20498-034E-##	34	14.8	13.2	10.5	4.8	11.5
20498-040E-##	40	16.6	15.0	12.3	5.7	10.9
20498-050E-##	50	19.6	18.0	15.3	7.2	11.5

◆ MARK MEANS NOT AVAILABLE

20498-0**E-##
 0: WITHOUT VACUUM CLIP
 1: WITH VACUUM CLIP
 3: SHELL Au PLATING
 4: SHELL Sn PLATING
 Pos.



PART COMBINATION TABLE	
RECEPTACLE ASSEMBLY	PLUG CABLE ASSEMBLY
20498-0**E-3#	20496-0**-30
20498-0**E-4#	20496-0**-40

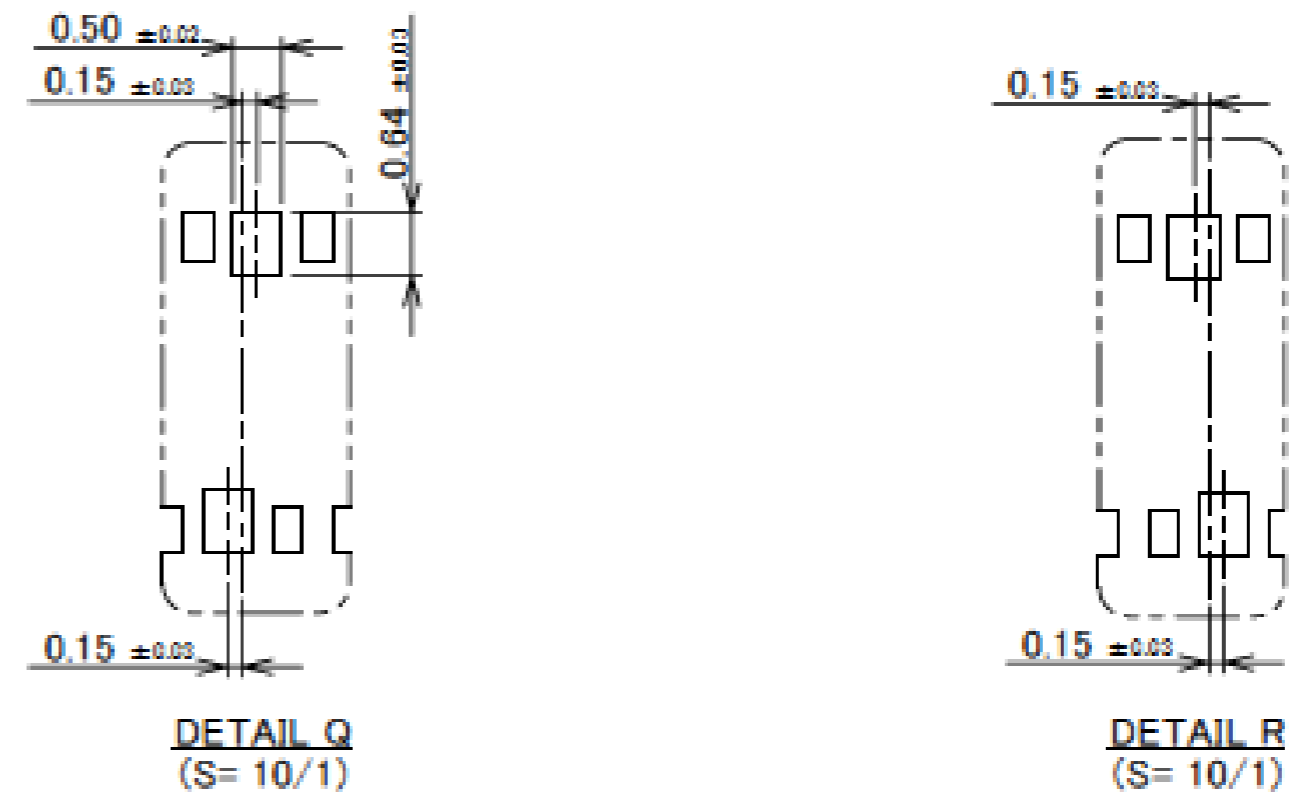
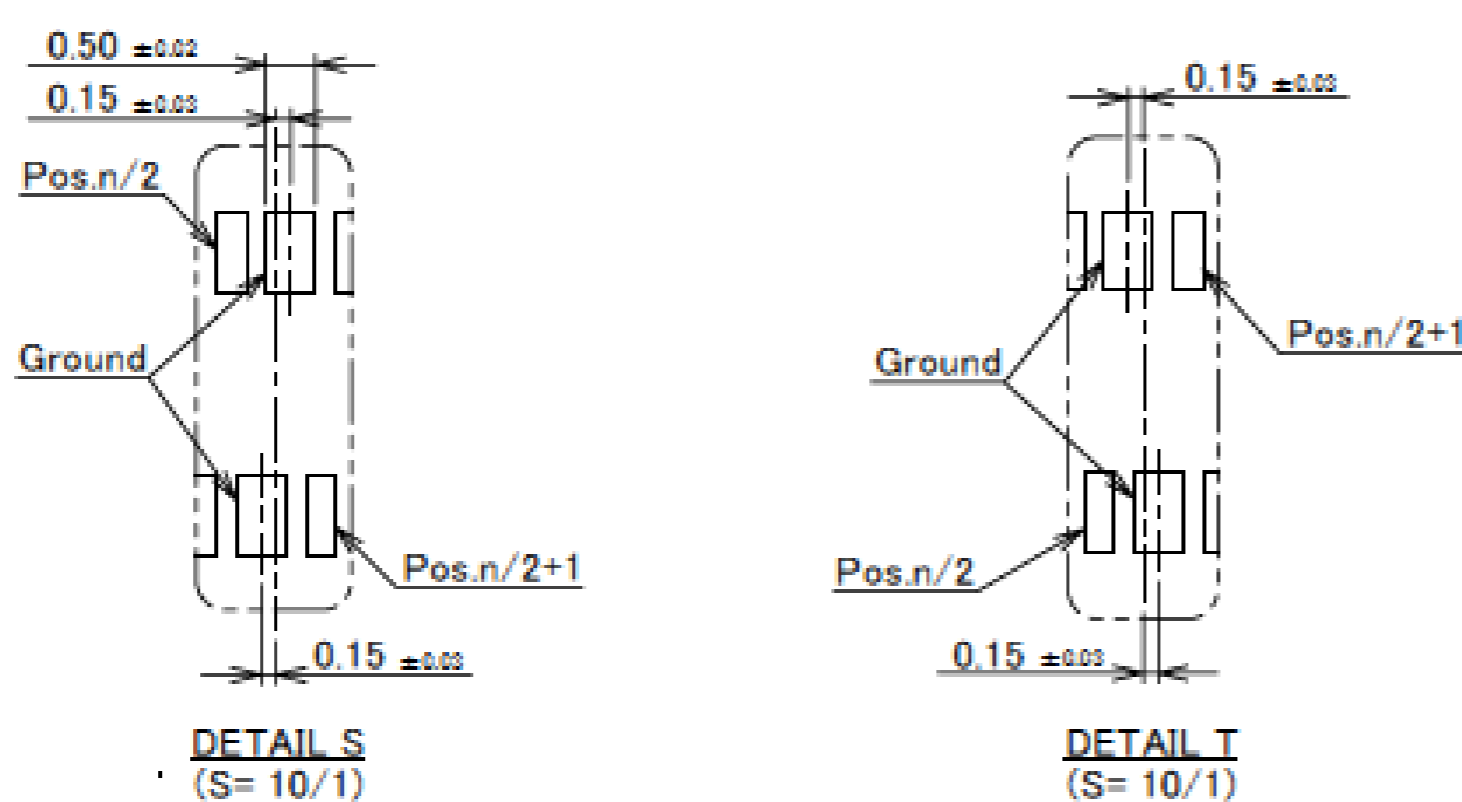
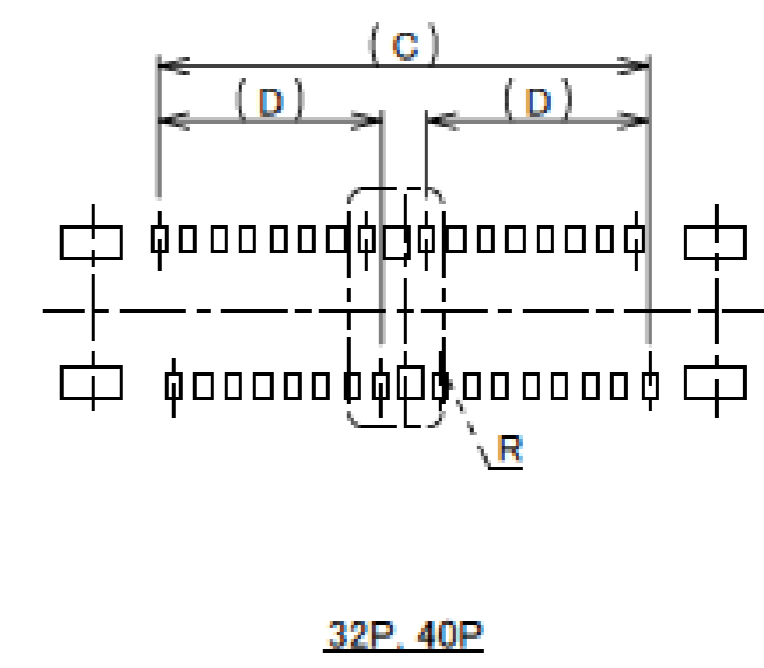
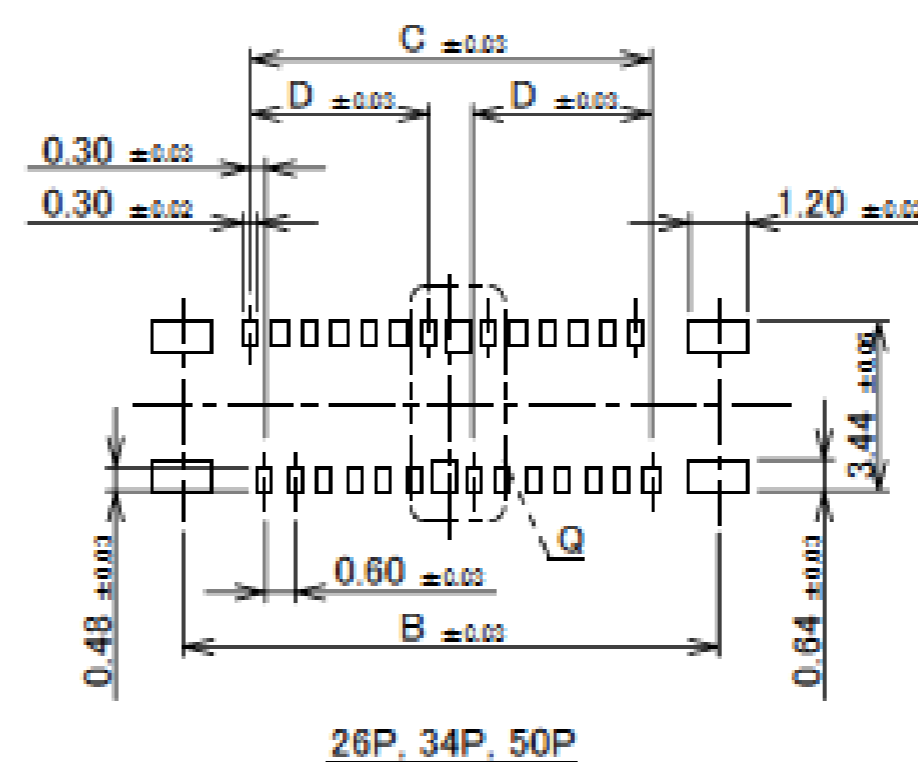
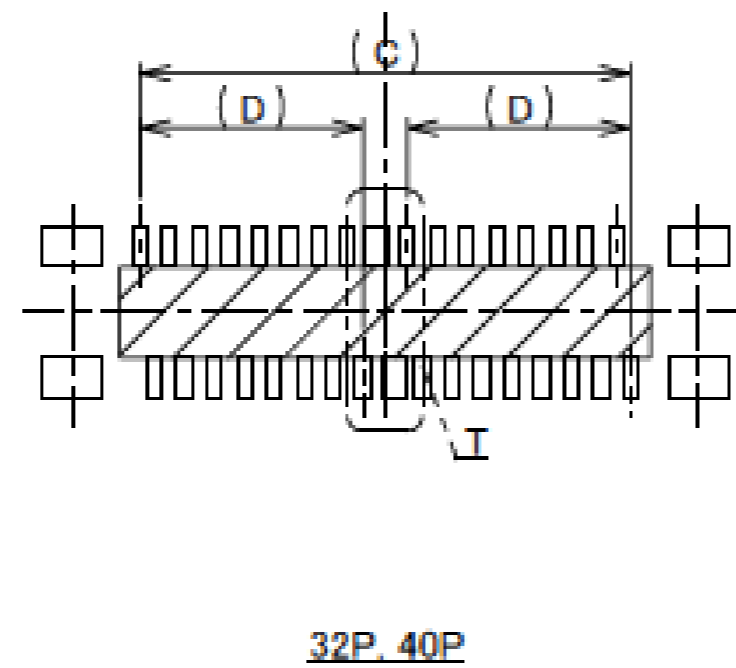
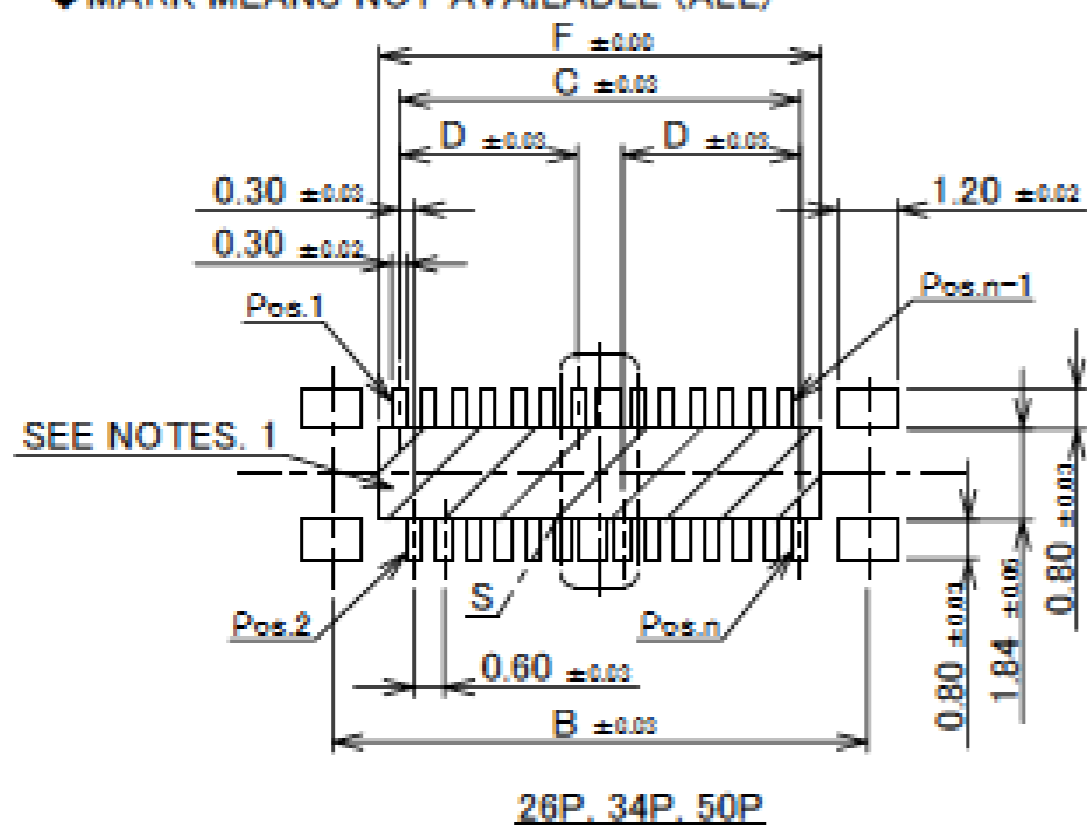


NO.	DISCRIPTION	MATERIAL	FINISH . REMARKS
4	VACUUM CLIP	LCP	UL94V-0
3	SHELL	PHOSPHOR BROMZE	P/N 20498-0**E-3#: Au 0.02 μm MIN. OVER Ni 1.00 μm MIN. P/N 20498-0**E-4#: Sn 2.00 μm MIN. OVER Ni 1.00 μm MIN.
2	CONTACT	PHOSPHOR BRONZE	ALL OVER : Ni 1.00 μm MIN. CONTACT AREA : Au 0.1 μm MIN. SOLDERING AREA : Au 0.05 μm MIN.
1	HOUSING	LCP	UL94V-0

Rev.19

PART No.	Pos.	A	B	C	D	F
20498-026E-##	26	12.4	10.8	8.1	3.6	8.9
20498-032E-##	32	14.2	12.6	9.9	4.5	10.7
◆ 20498-034E-##	34	14.8	13.2	10.5	4.8	11.3
20498-040E-##	40	16.6	15.0	12.3	5.7	13.1
20498-050E-##	50	19.6	18.0	15.3	7.2	16.1

◆ MARK MEANS NOT AVAILABLE (ALL)



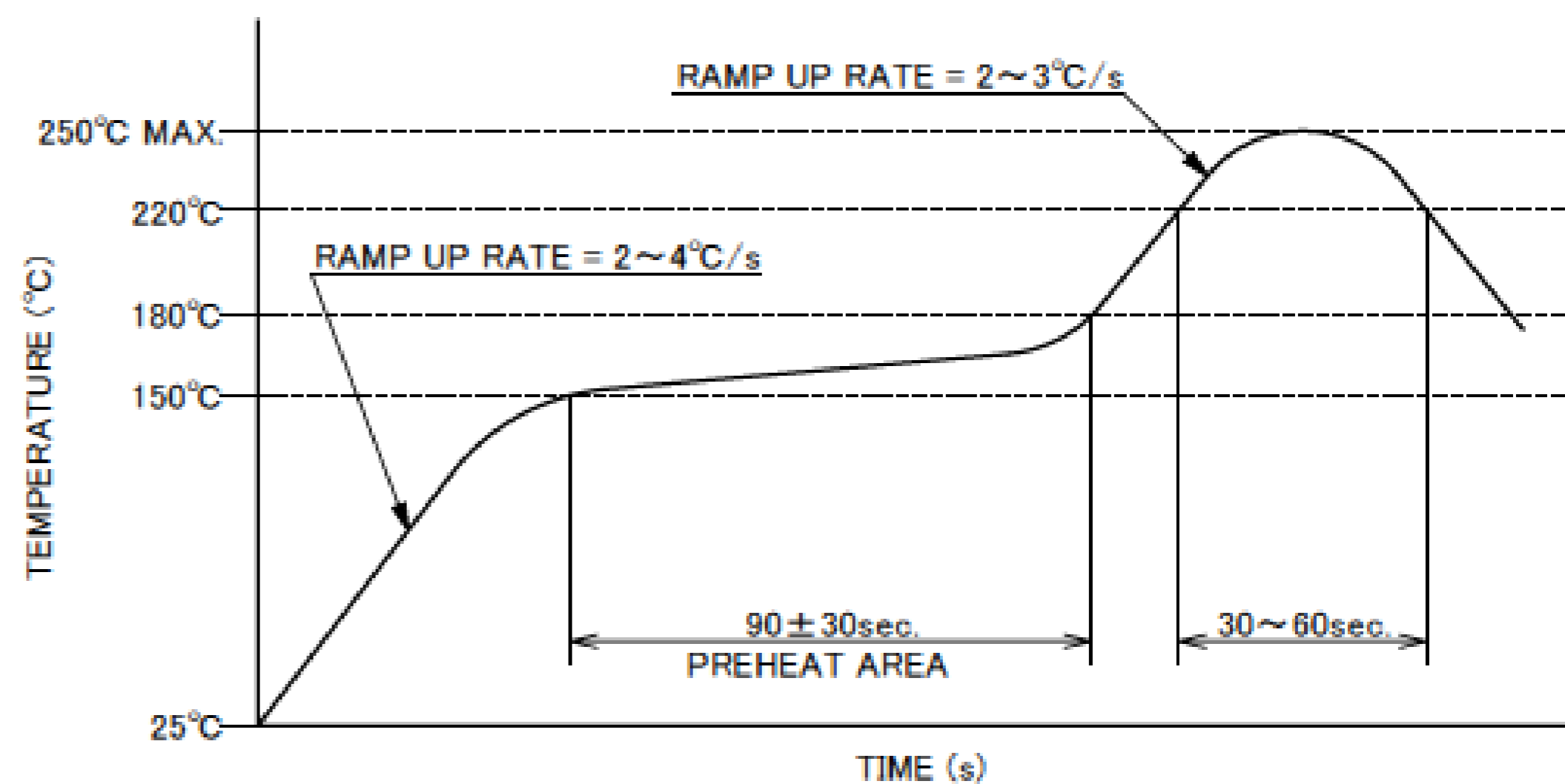
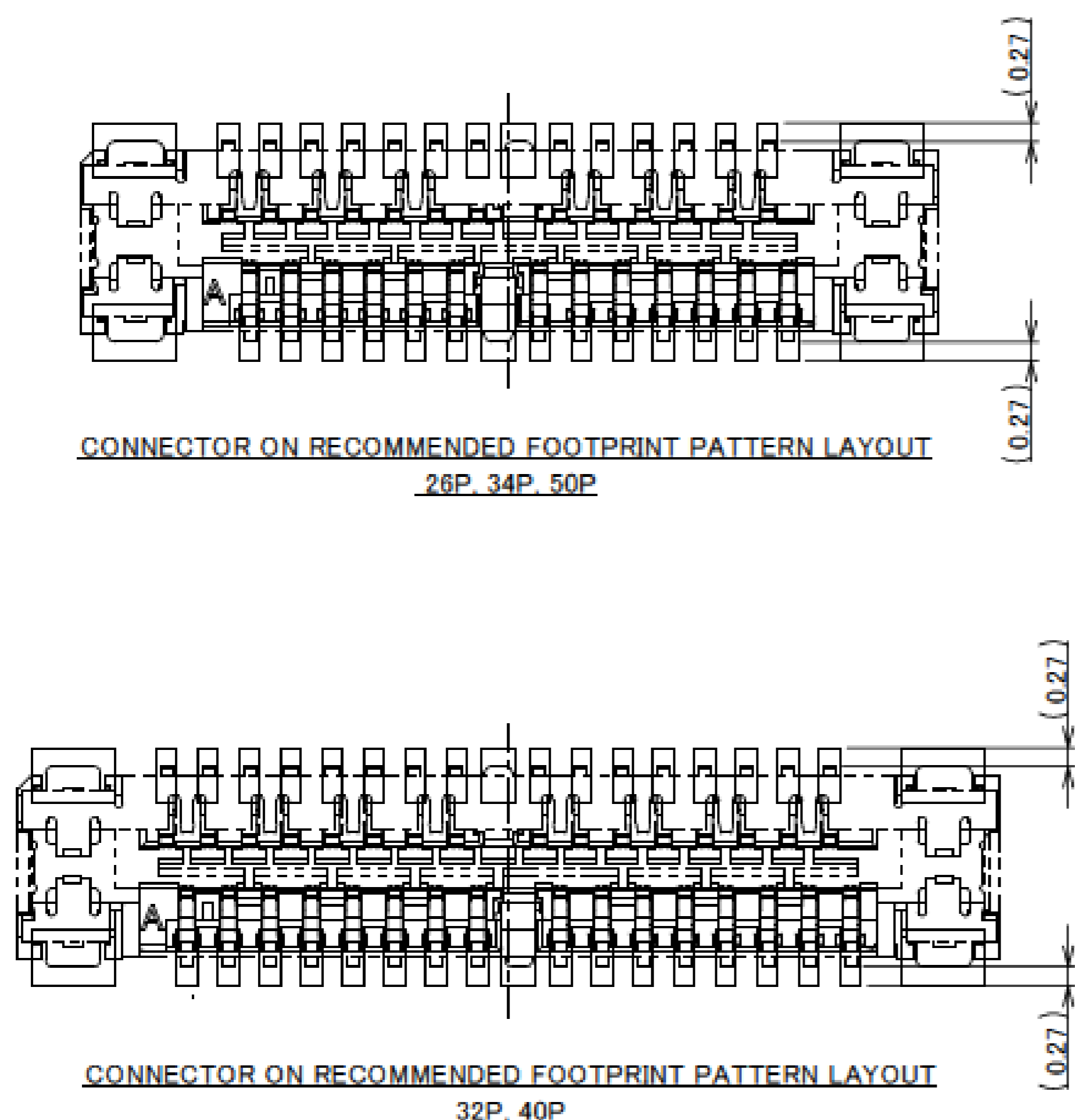
RECOMMENDED FOOTPRINT PATTERN LAYOUT

RECOMMENDED FOOTPRINT METAL MASK LAYOUT
 METAL MASK THICKNESS : t=0.12 μm

NOTES.
 1. SOLDER RESIST MUST BE APPLIED TO THIS AREA

Rev.19

Receptacle Assembly



REFLOW TEMPERATURE PROFILE
SENJU METAL INDUSTRY CO., LTD. : M705-SHF(Sn96.5 Ag3.0 Cu0.5)

Rev.19

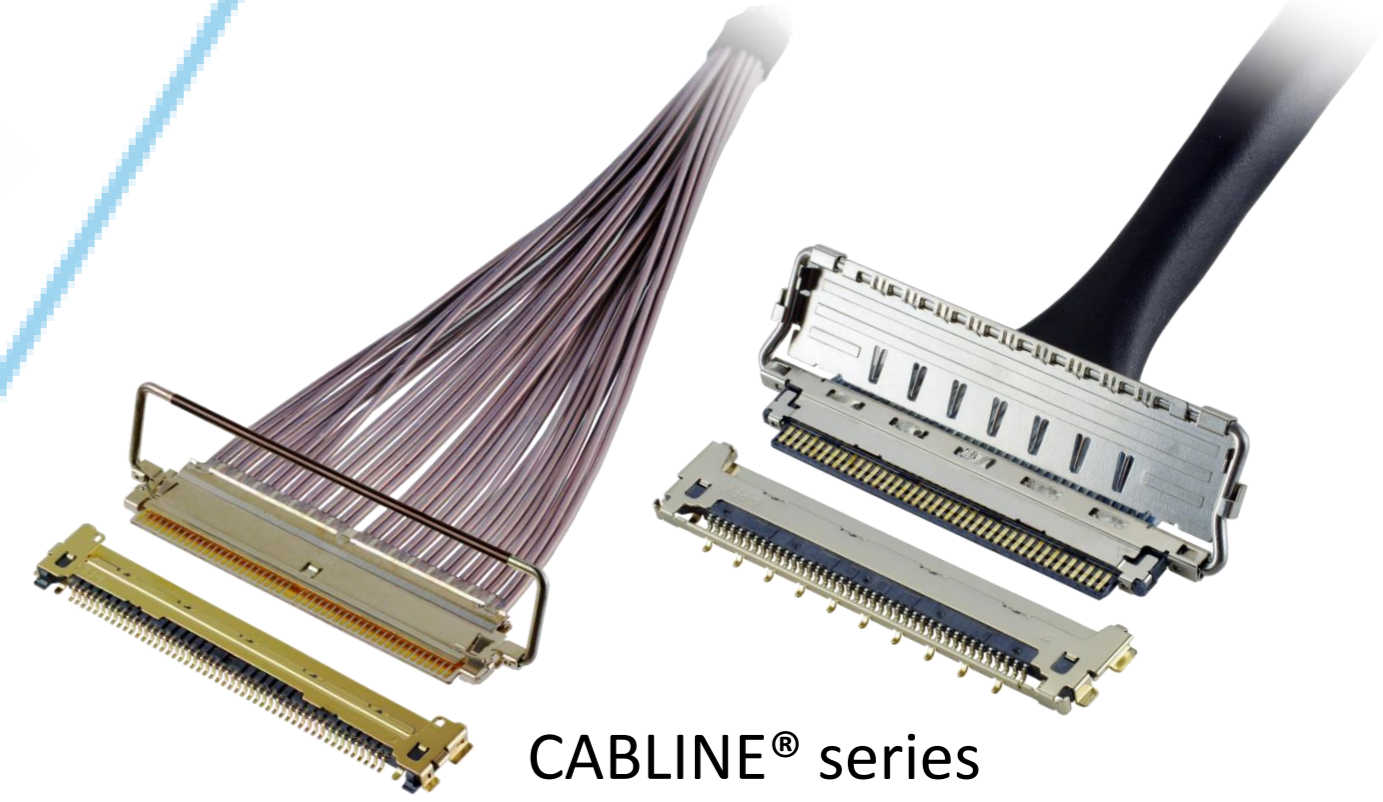
ITEMS	SPECIFICATION
APPLICABLE CABLE	MICRO-COAXIAL CABLE : AWG# 46 , 44 , 42 DISCRETE WIRE : AWG# 39
RATING VOLTAGE	50V AC (PER CONTACT PIN)
RATING AMPERAGE (FOR CONTACT)	0.50A AC/DC [AWG#39] (PER CONTACT PIN / UP TO 10 CONTACTS) 0.20A AC/DC [AWG#42] 0.19A AC/DC [AWG#44] 0.15A AC/DC [AWG#46] ※ TESTING BY A REAL MACHINE IS RECOMENDED BECAUSE TEMPERATURE RISE MAY AFFECTED BY ACTUAL SITUATION
OPERATING TEMPERATURE	233~358K(-40°C~+85°C)
OPERATING HUMIDITY	85% MAX.(NON-CONDENSING)
CONTACT RESISTANCE	INITIAL : 450mohm MAX.(AWG#39) 700mohm MAX.(AWG#42) 1080mohm MAX.(AWG#44) 1880mohm MAX.(AWG#46) AFTER TEST : \triangleleft40mohm MAX.
GROUND CONTACT RESISTANCE	INITIAL : 100mohm MAX. / AFTER TEST : \triangleleft40mohm MAX.
INSULATION RESISTANCE	INITIAL : 100Mohm MIN. / AFTER TEST : 100Mohm MIN.
DIELECTRIC WITHSTANDING VOLTAGE	AC100V 1min
DURABILITY	20 CYCLES
MATING FORCE (INITIAL / 20 CYCLES)	26P : 28.0N MAX. 32P : 34.5N MAX. 40P : 40.0N MAX. 50P : 50.0N MAX.
UNMATING FORCE (INITIAL / 20 CYCLES)	26P : 3.0N MIN. 32P : 3.0N MIN. 40P : 3.0N MIN. 50P : 3.0N MIN.
COPLANARITY	0.10MAX
CABLE RETENTION FORCE	15.0N MIN. (AWG# 44)
PRODUCT SPECIFICATION	PRS-1469
TEST REPORT	TR-09032
PACKING STANDARD	300-697
INSTRUCTION MANUAL	HIM-09006
ASSEMBLY MANUAL	ASM-09004
APPEARANCE CRITERIA No.	QLS-A***

Rev.19

Custom Connectors Available

 RF Connectors

MHF® series



CABLIN® series



Micro-Coaxial/Twinax Connectors



Wire-to-Board Connectors/Terminals

AP series

ISH® series



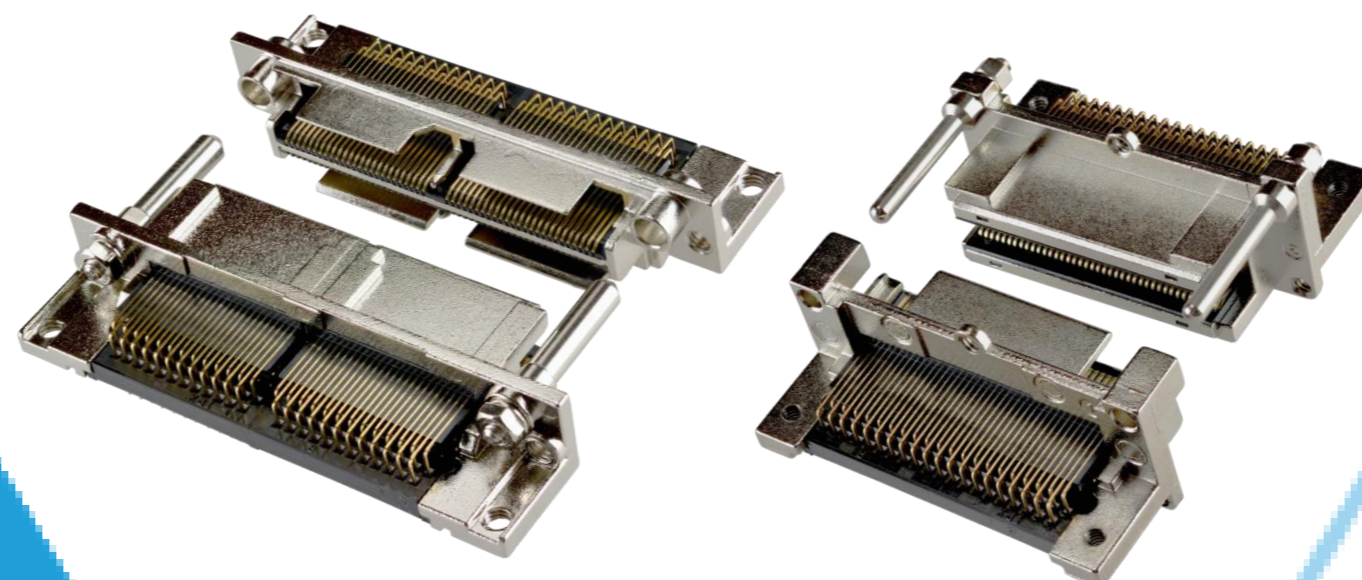
NOVASTACK® series



Board-to-Board Connectors



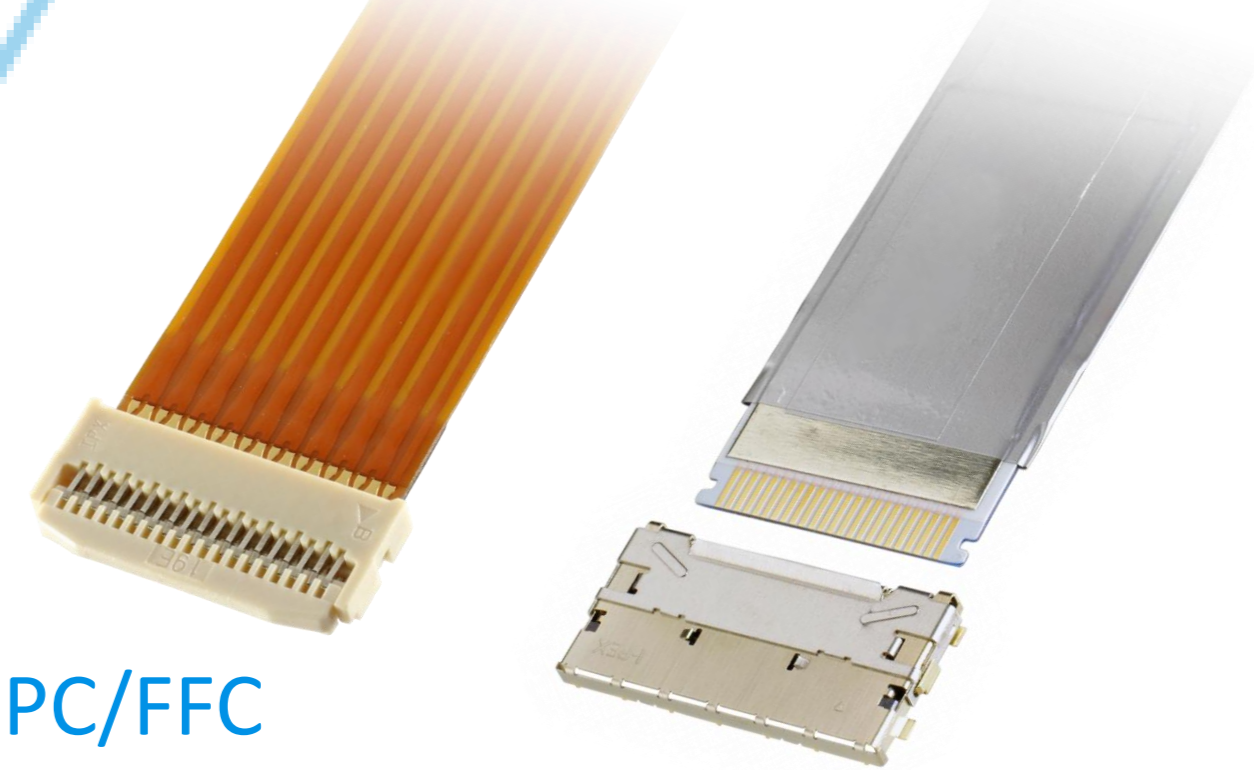
I/O Connectors



MINIDOCK™ series

MINIFLEX® series

EVAFLEX® series



FPC/FFC Connectors



Inquiry



I-PEX, MHF, CABLINE, NOVASTACK, ISH, IARPB, MINIFLEX, EVAFLEX, MINIDOCK and ZenShield are registered trademarks of I-PEX Inc. Please note that the contents in the catalog might be changed without prior notification. I-PEX Inc. assumes no responsibility for any inaccuracies or obligation to update information on these documents. Please be sure to read and understand the latest "Precautions for Use" and "Instruction Manual" before you use our products. We shall not be responsible for any defects, damages or troubles in case you use our products without following the precautions for use. Please feel free to contact our sales representatives when you use our products for any applications that require very high reliability and safety, or that relate to human life (ex. nuclear power control, aerospace, transportation, medical equipment, safety equipment etc.).

Contact your sales representative or more detailed information.

www.i-pex.com



I-PEX

© I-PEX Inc. 2025
All rights reserved