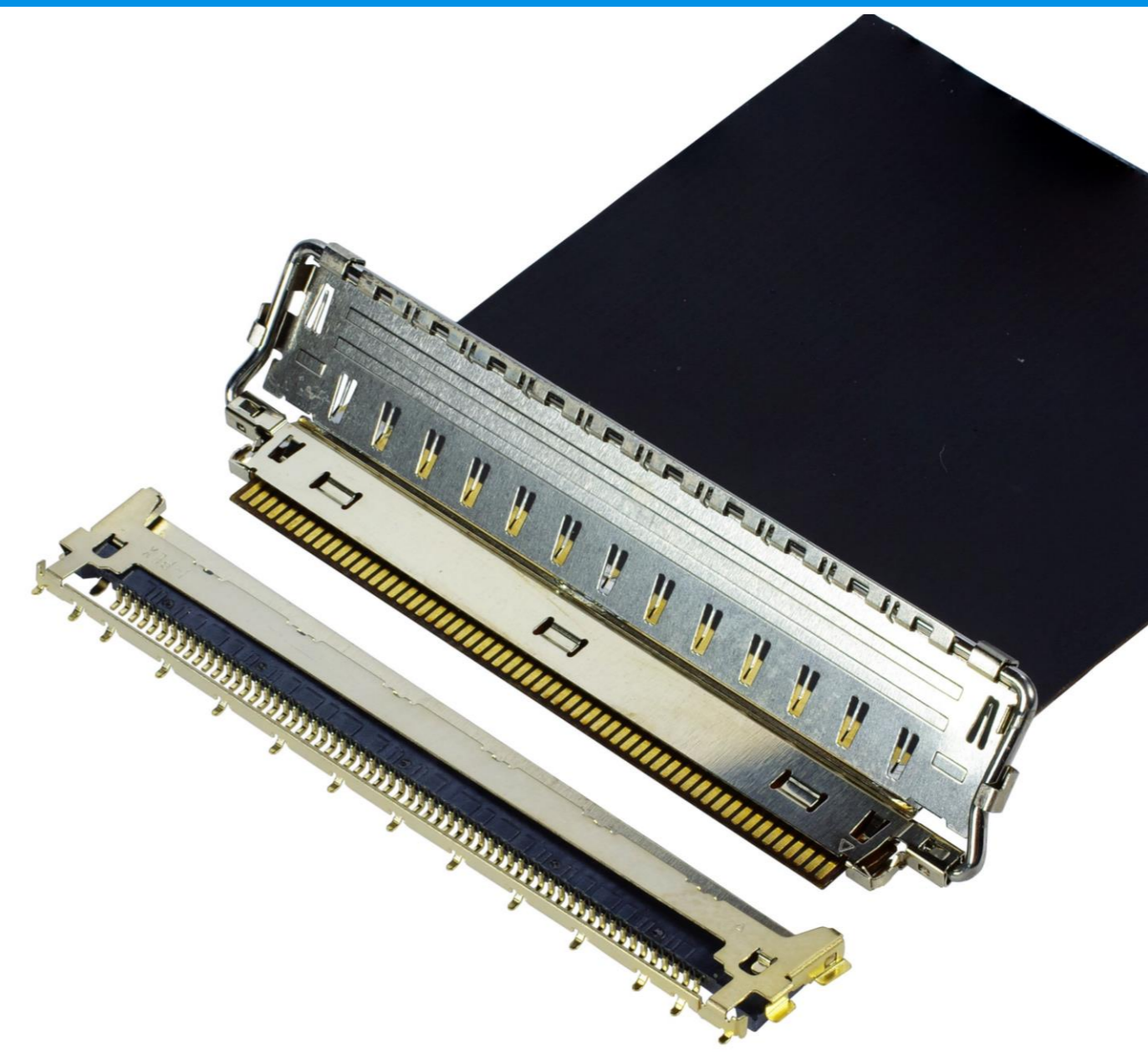


CABLIN[®]-CA IIF PLUS

全屏蔽設計，多點接地和機械鎖扣，0.4 mm 間距，
水平對插款的FPC 型公頭連接器



Product Specifications:

Mating type	Horizontal	
Board Pitch (mm)	0.4	
Wiping Length (mm)	0.48	
Mated size (mm)	Height	1.2 max.
	Width	30.95
	Depth	7.24
Pin Counts	Range	60
	Available	60

Applicable FPC

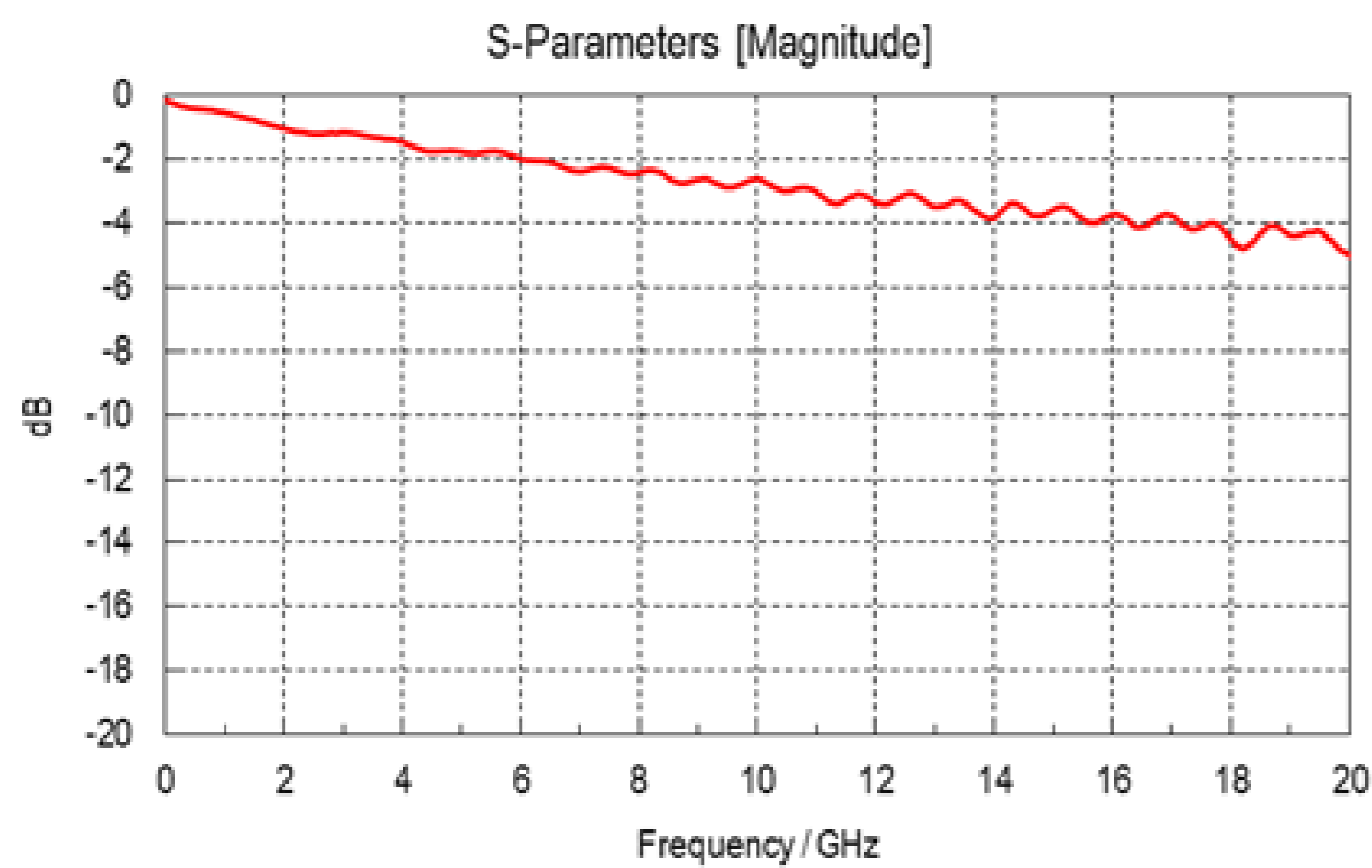
FPC Type	Shielded FPC
FPC Pitch (mm)	0.4
FPC Contact Point	Top
FPC Thickness (mm)	Contact Area: 0.25 +0.02/-0.03
	Ground Area: 0.37 +0.04/-0.06

Applicable Standards (Reference Only):

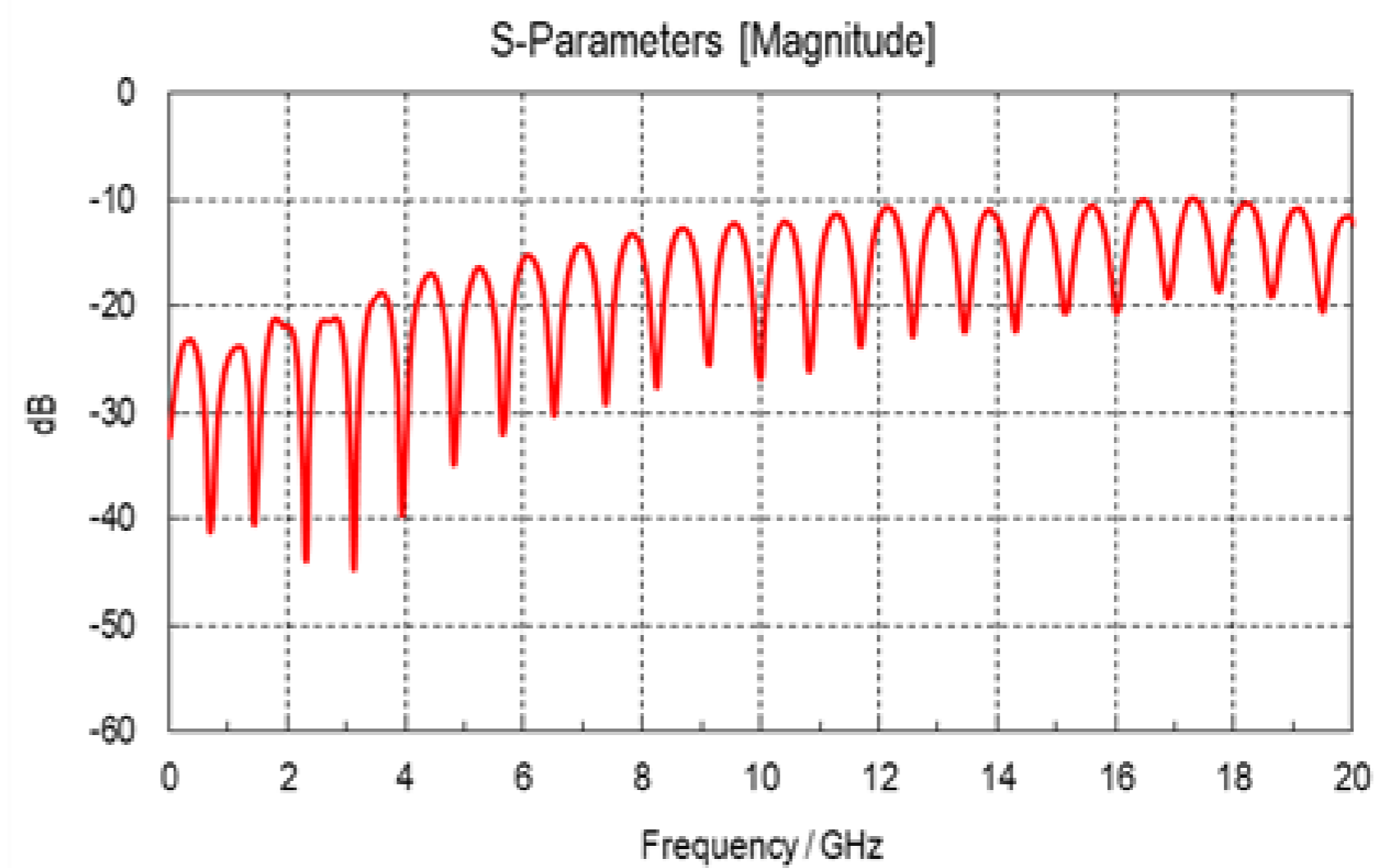
32 GT/s NRZ, USB4 Gen4 (40 Gbps/Lane PAM3),
Display Port UHBR20 (20 Gbps/Lane)

*若有規格外 Pin 數需求, 請與當地負責業務窗口聯繫。

▶ 出色的差分 SI 性能(32 Gbps/Lane)



Insertion Loss



Return Loss

FPC length : 100mm

Reference Impedance : 90 Ohms differential

Pin Assignment GSSGSSG

▶ ZenShield[®] 的全屏蔽和多點接地設計，有效防止EMI外洩

連接器底部視圖

一般連接器

ZenShield[®] 全屏蔽式連接器

○ 焊點

○ 機械式觸點

Wi-Fi 天線

高速数据传输

連接器可以放置於更靠近天線的位置

▶ 機械式鎖扣罩防止連接器不完全嵌合及脫落

無法上鎖

➔

插入

➔

上鎖

只有當完全插入後，SHELL才能上鎖

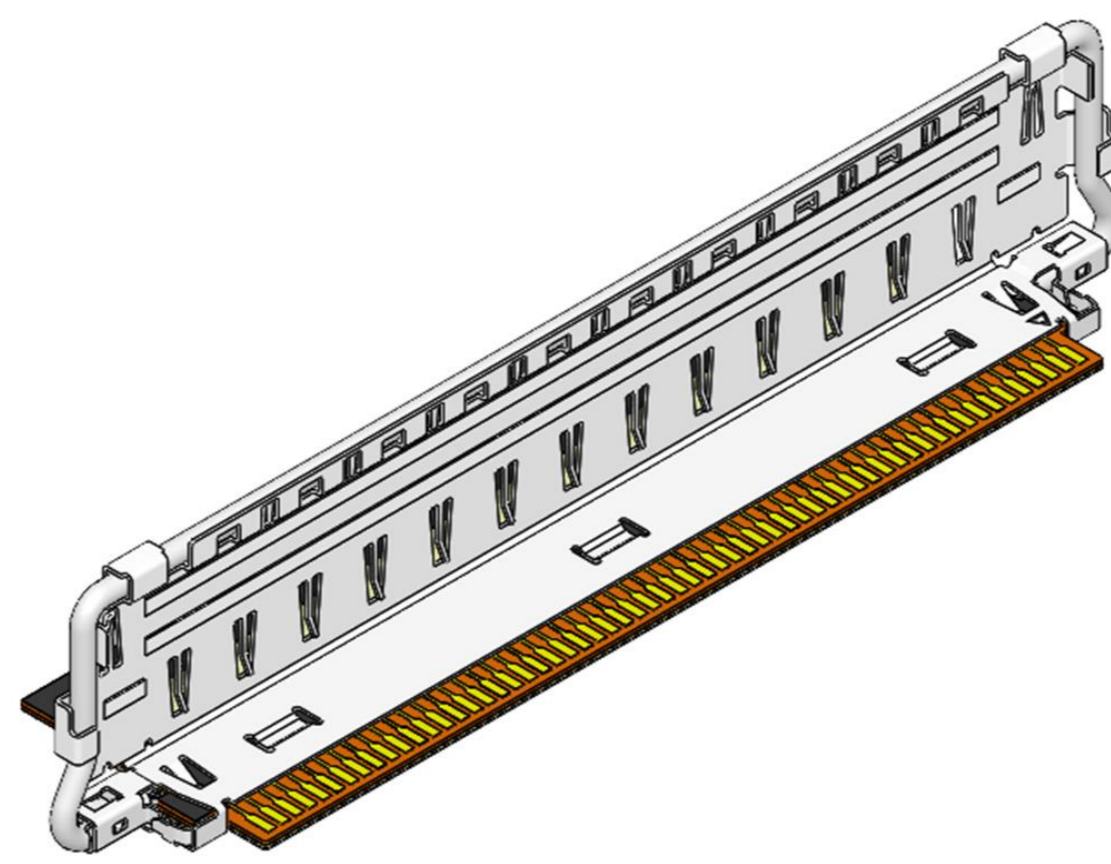
插入未到位

完全插入

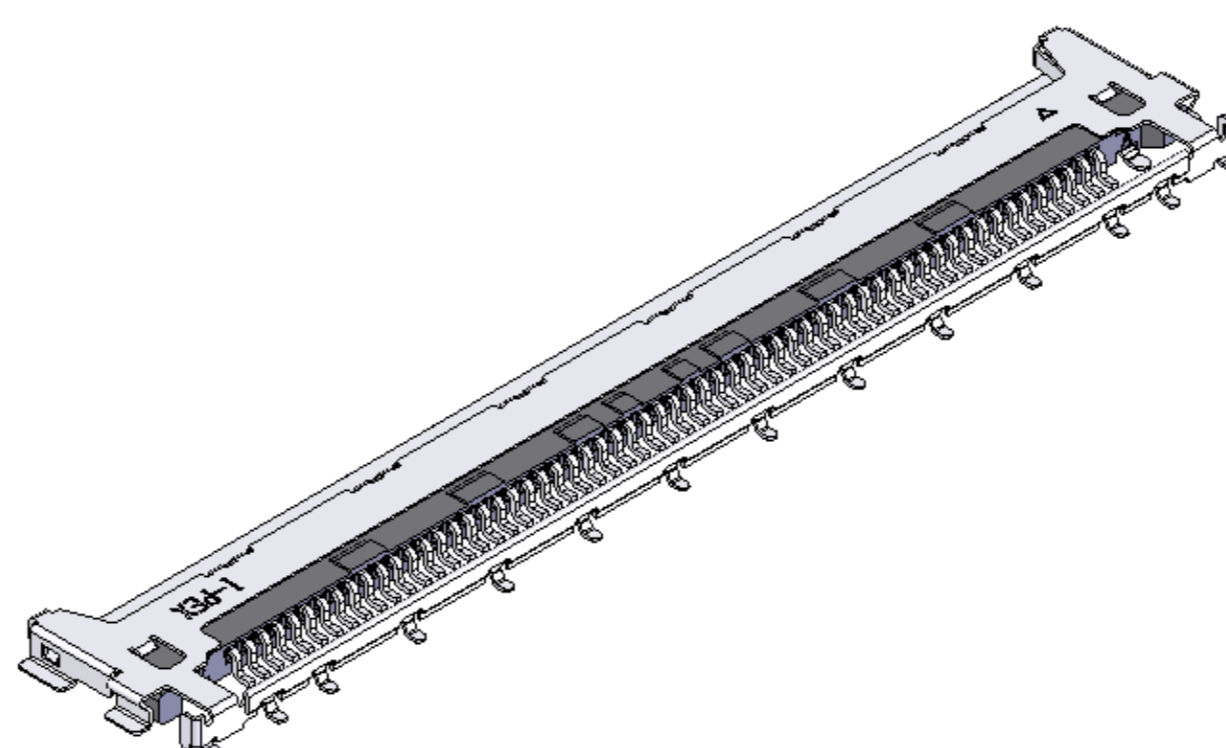
Component Parts Details

Component Parts

Connector parts



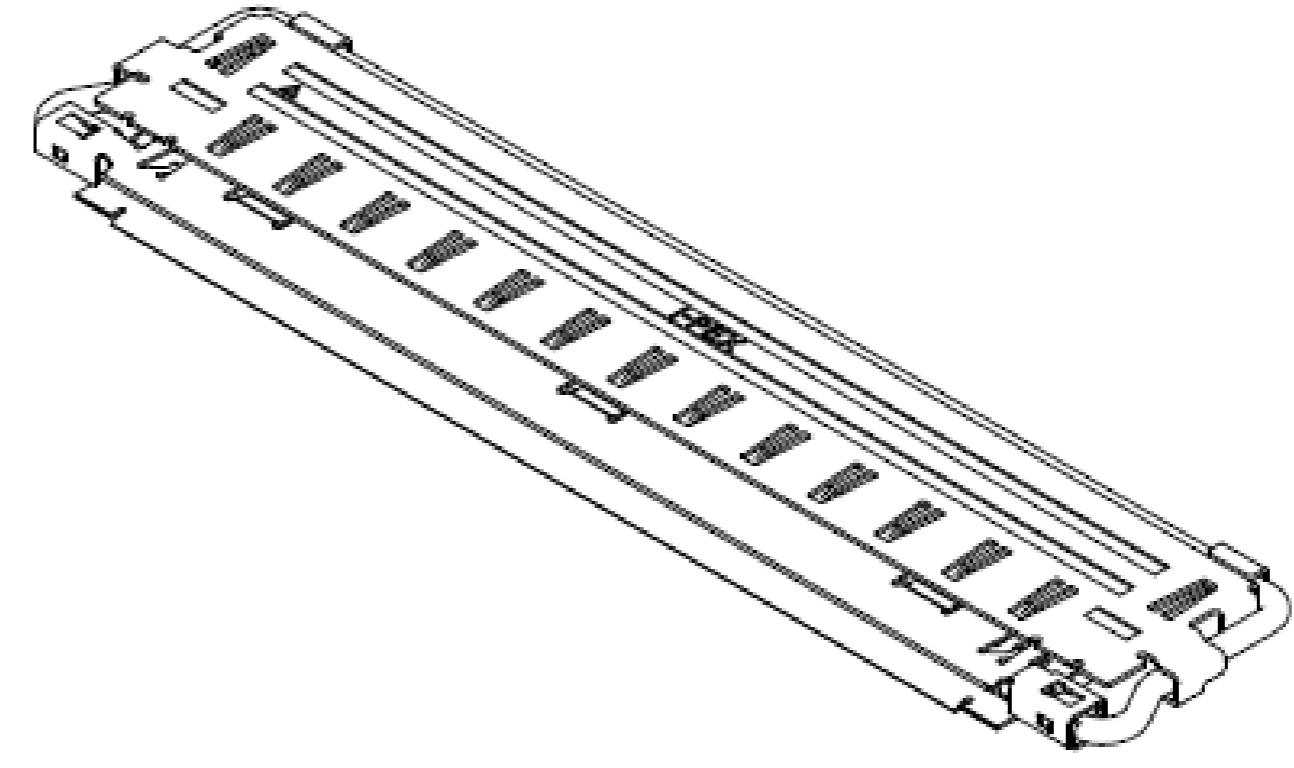
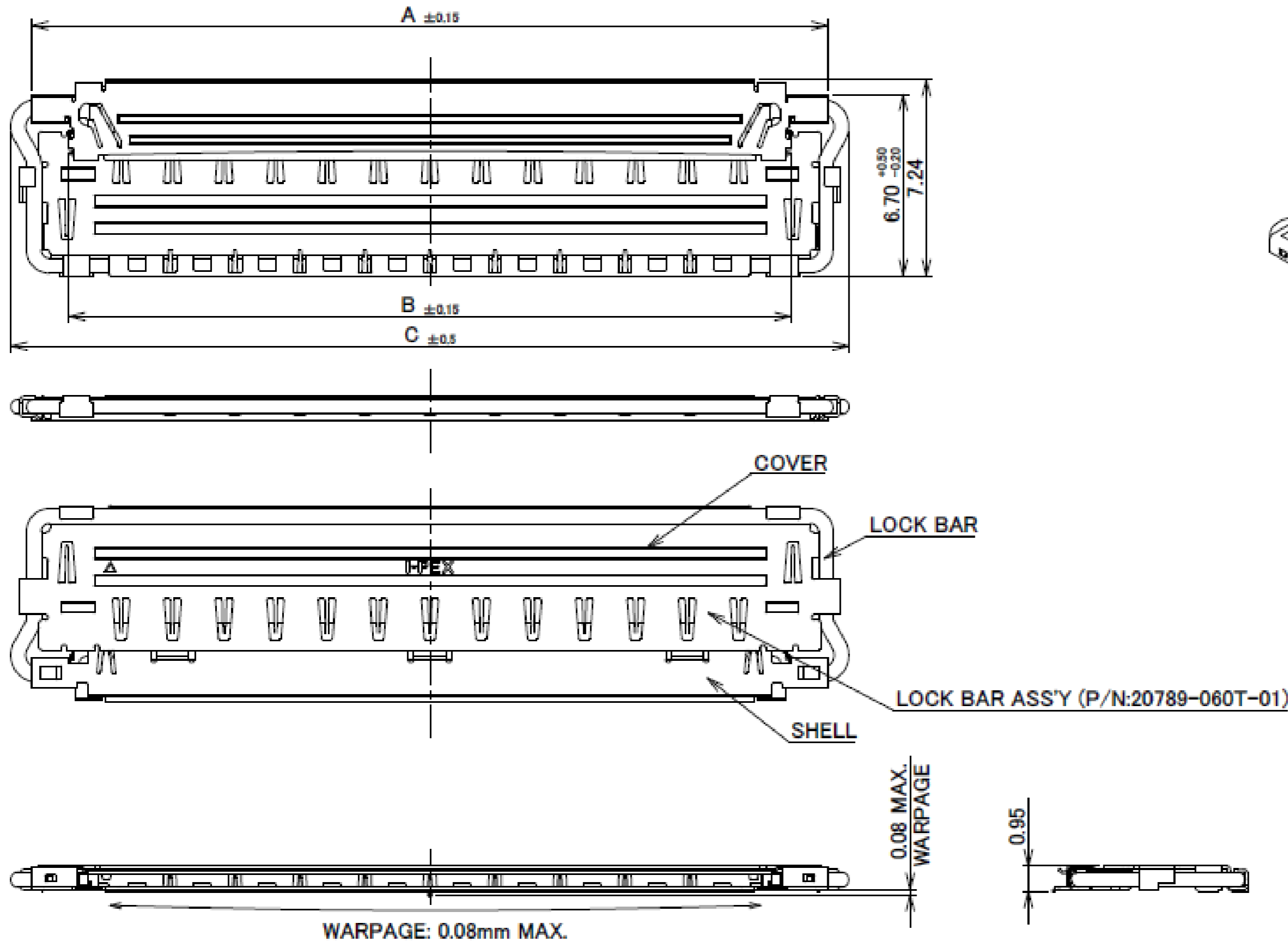
CABLINE-CA IIF PLUG with FPC



CABLINE-CA II PLUS RECEPTACLE

Shell Assembly

Recommended P/N		20901-060T-01		
PART NO.	Pos.	A	B	C
20901-060T-01	60	29.40	26.66	30.95



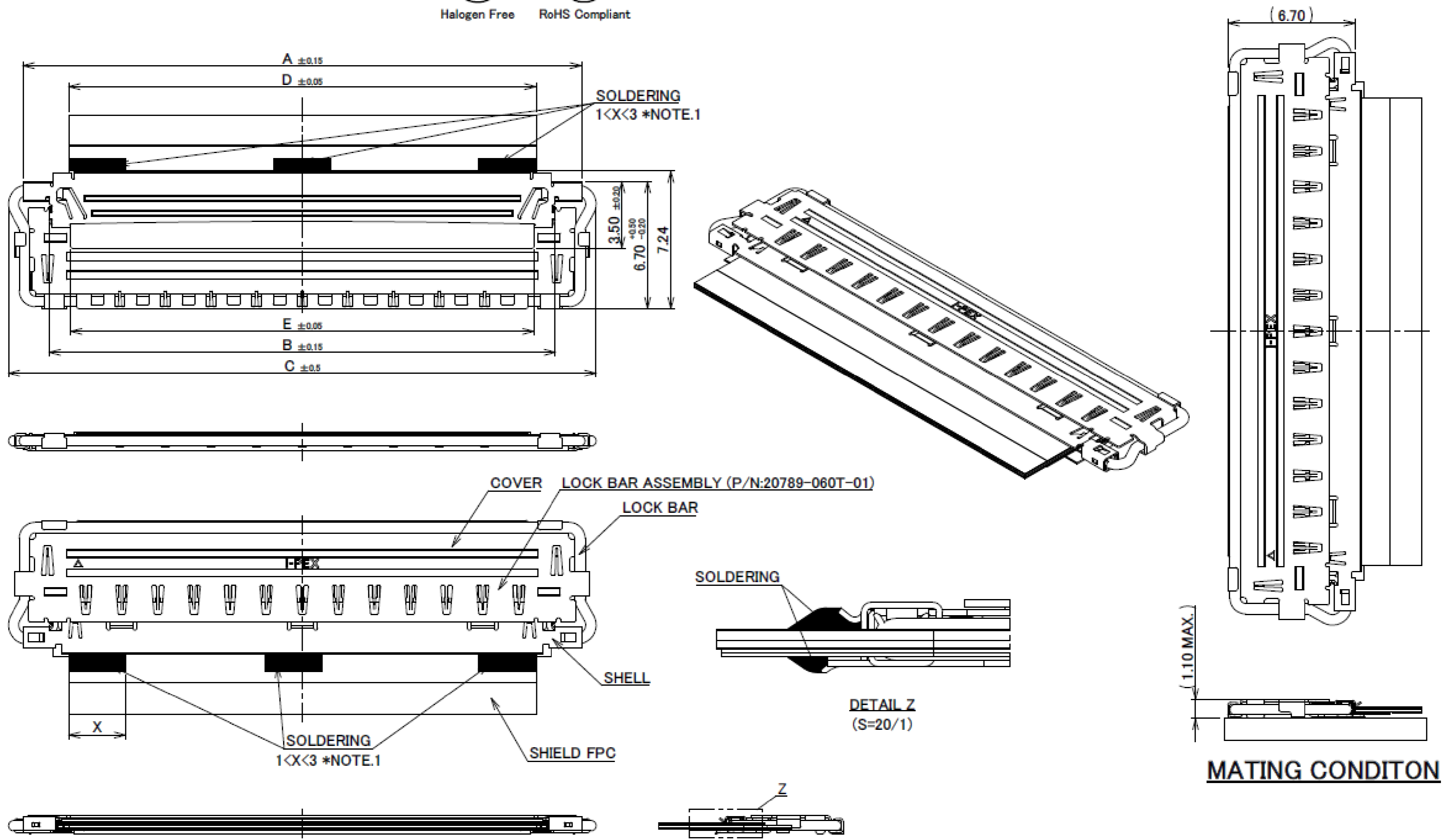
NO.	DESCRIPTION	MATERIAL	FINISH, REMARKS
3	COVER	PHOSPHOR BRONZE	Ni PLATING
2	LOCK BAR	STAINLESS STEEL	-
1	SHELL	PHOSPHOR BRONZE	PARTIAL Au 0.003 μm MIN. OVER Ni 1.00 μm MIN.

Rev.1

Recommended P/N		20901-060T-01				
PART No.	A	B	C	D	E	
20901-060T-01	29.40	26.66	30.95	24.60	24.40	



FPC ASSEMBLY STATE COVER CLOSE



NOTES.
1.Soldering Area X is recommended dimension.
It does not mater if it might be exceed the recommended dimension.

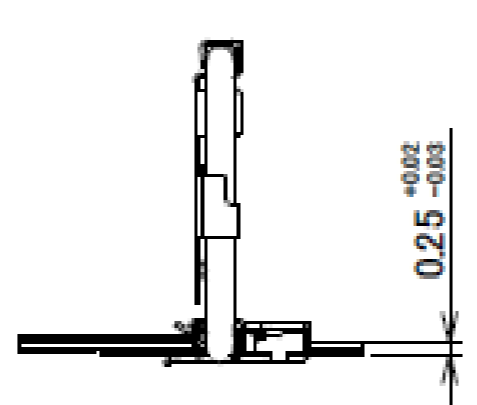
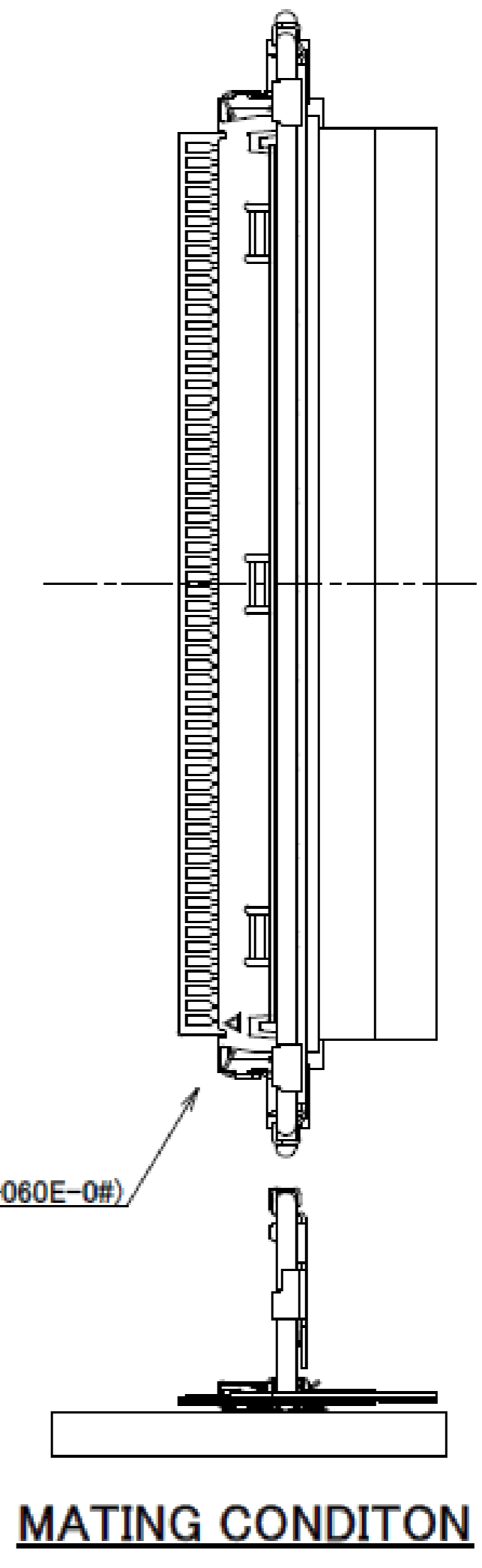
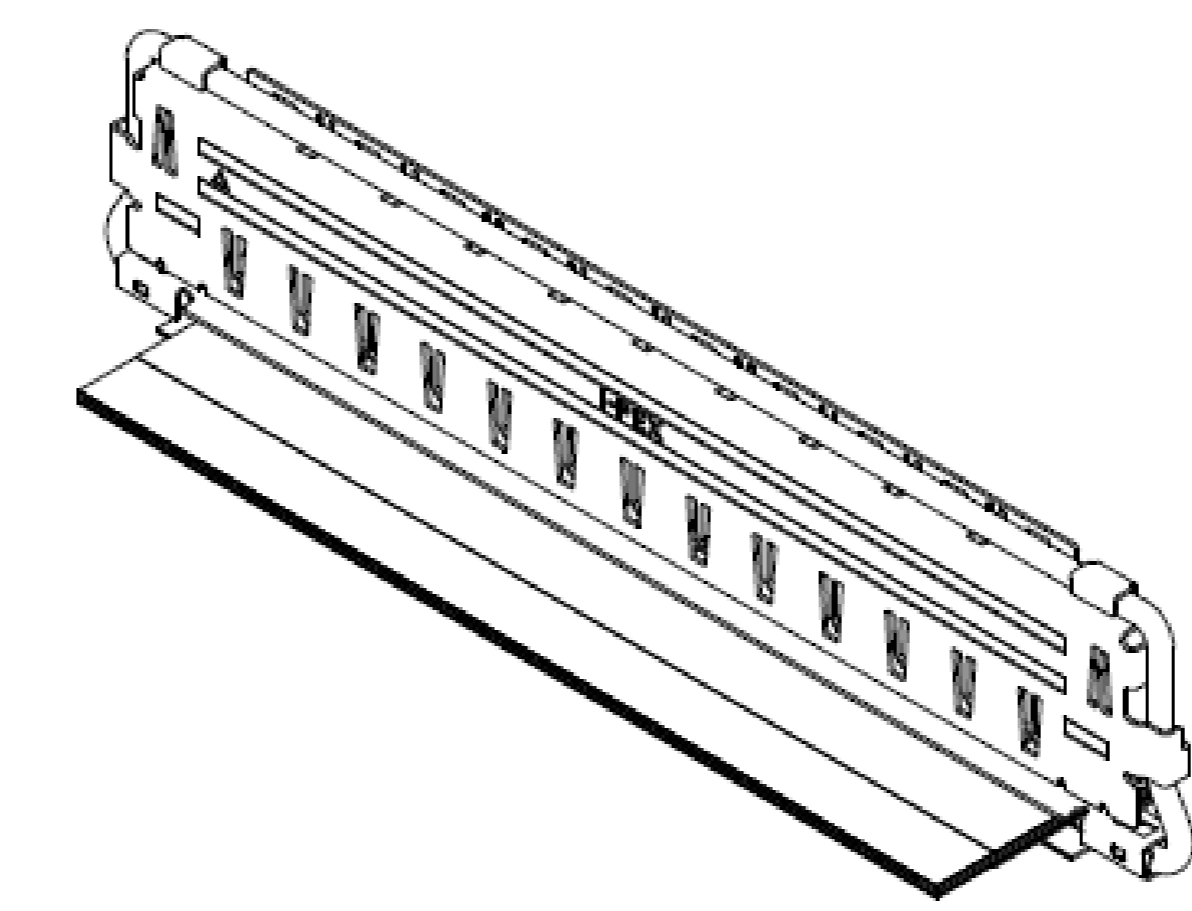
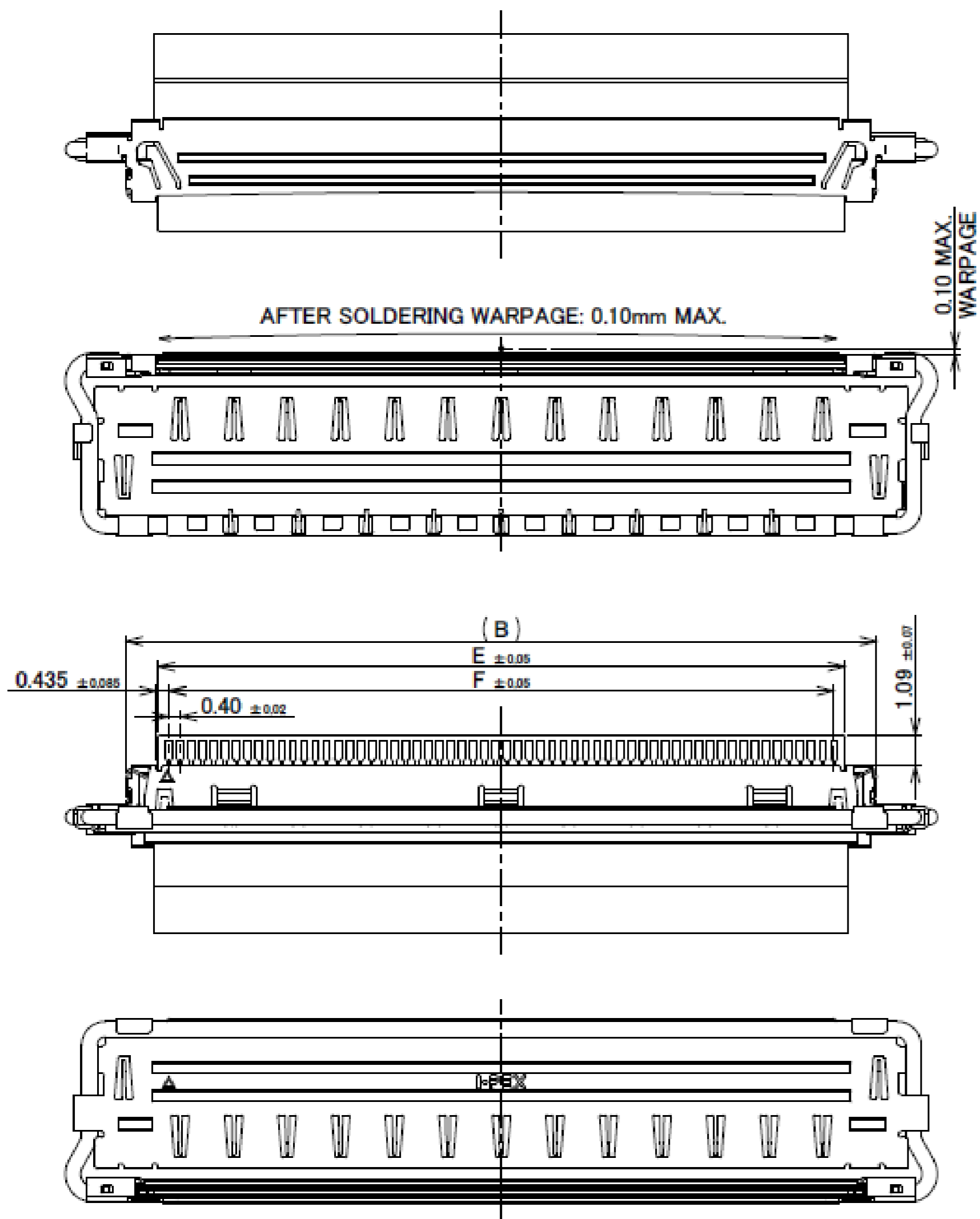
Rev.1

Shell Assembly

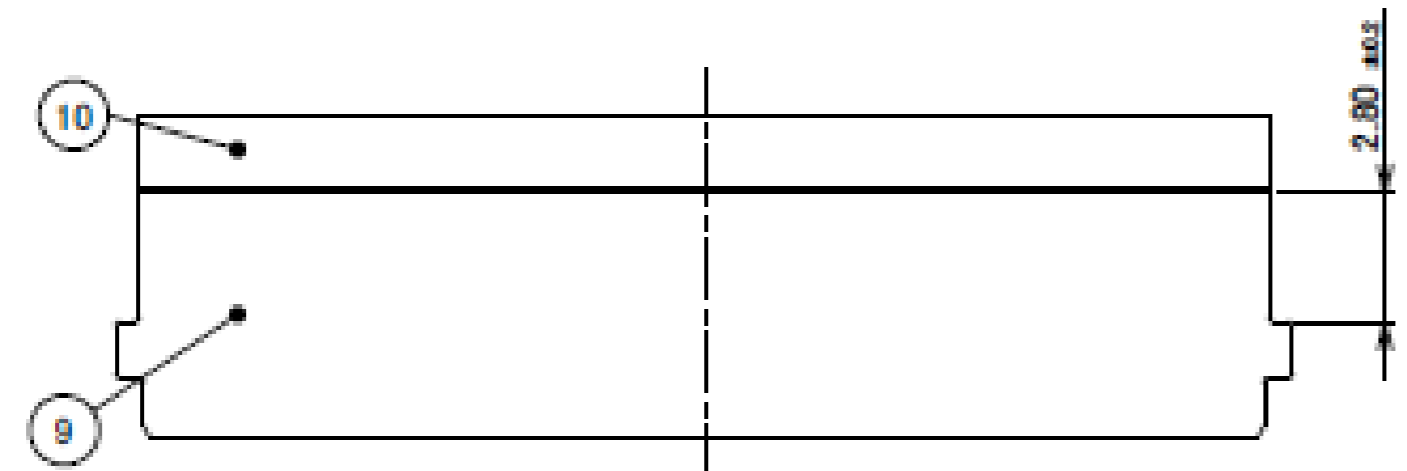
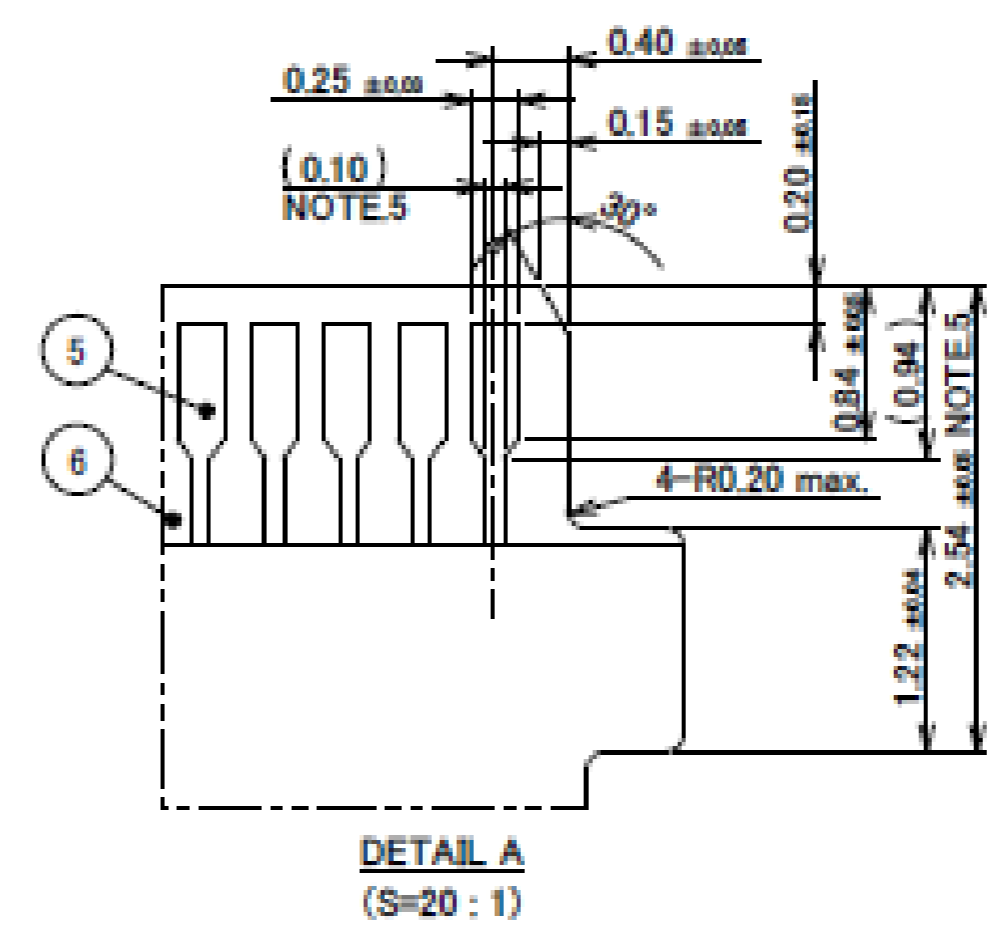
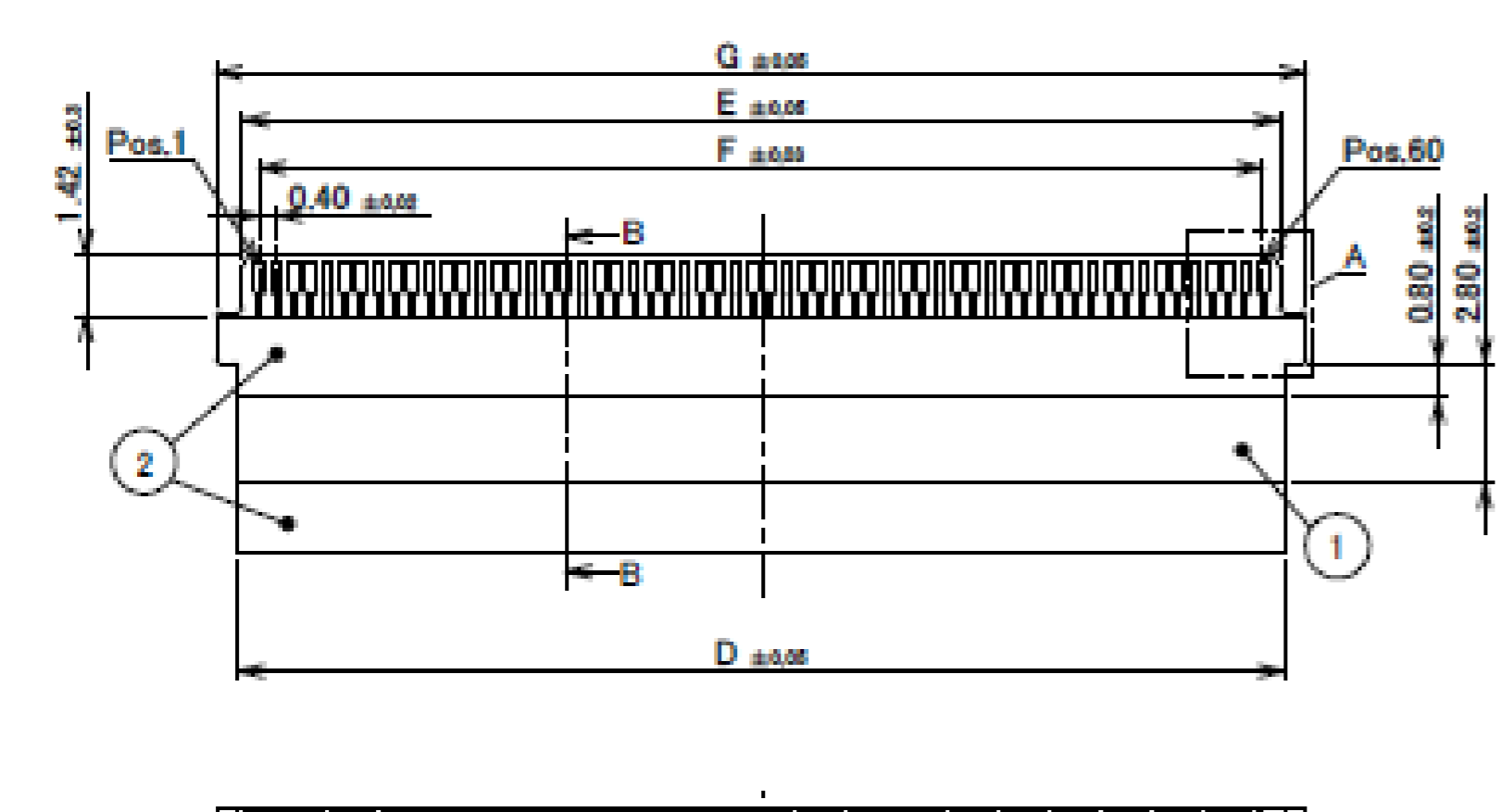
Recommended P/N	20901-060T-01		
PART No.	B	E	F
20901-060T-01	26.66	24.40	23.60



FPC ASSEMBLY STATE COVER OPEN

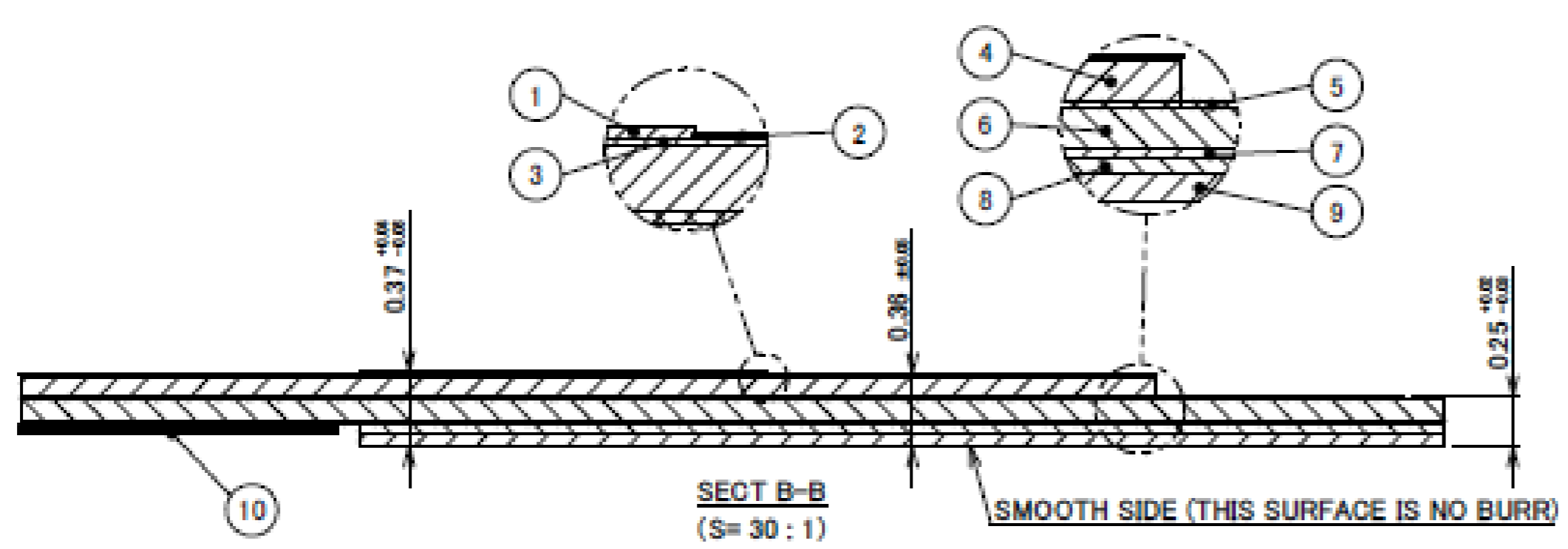


PART No.	D	E	F	G
20901-060T-01	24.60	24.40	23.60	25.66



- NOTES.
- No.1, 3, 7, 9 : CONDUCTOR (GROUND) ARE CARRYING OUT THE ELECTRICAL CONNECTION.
 - No.5 : SIGNAL Pos. AND No.1, 3, 7, 9 : CONDUCTOR (GROUND) ARE NOT CONTACTING.
 - No.5 : GROUND Pos. AND No.1, 3, 7, 9 : CONDUCTOR (GROUND) ARE CARRYING OUT THE ELECTRICAL CONNECTION.
 - ADHESIVE SHOULD USE THERMOSETTING.
 - NUMBERS WITHIN PARENTHESES ARE ARBITRARY DIMENSIONS.
- CHANGE DIMENSIONS IN ACCORDANCE WITH CHARACTERISTIC IMPEDANCE VALUE.

No.	DESCRIPTION	MATERIAL	PLATING
1	CONDUCTOR(GROUND)	Cu	Ni, Au
2	INSULATOR	-	-
3	CONDUCTOR(GROUND)	Cu	-
4	INSULATOR	-	-
5	CONDUCTOR(SIGNAL GROUND)	Cu	Ni, Au
6	INSULATOR	-	-
7	CONDUCTOR(GROUND)	Cu	-
8	CONDUCTIVE ADHESIVE	-	-
9	REINFORCING TAPE & CONDUCTOR(GROUND)	SUS	Ni
10	INSULATOR	-	-
No.	DESCRIPTION	MATERIAL	PLATING



Rev.1

Rev.1

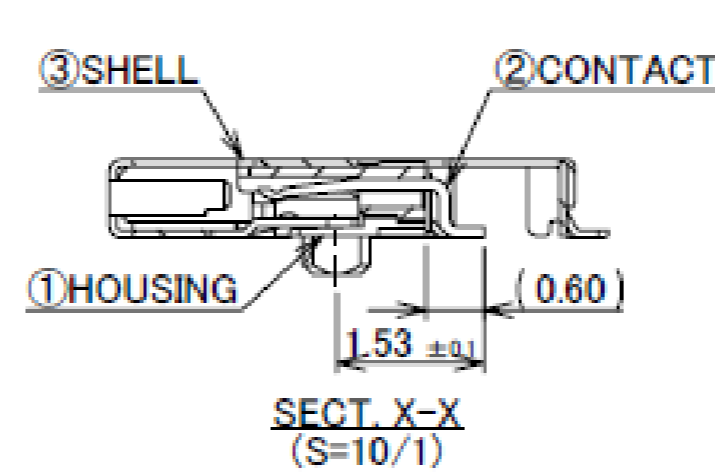
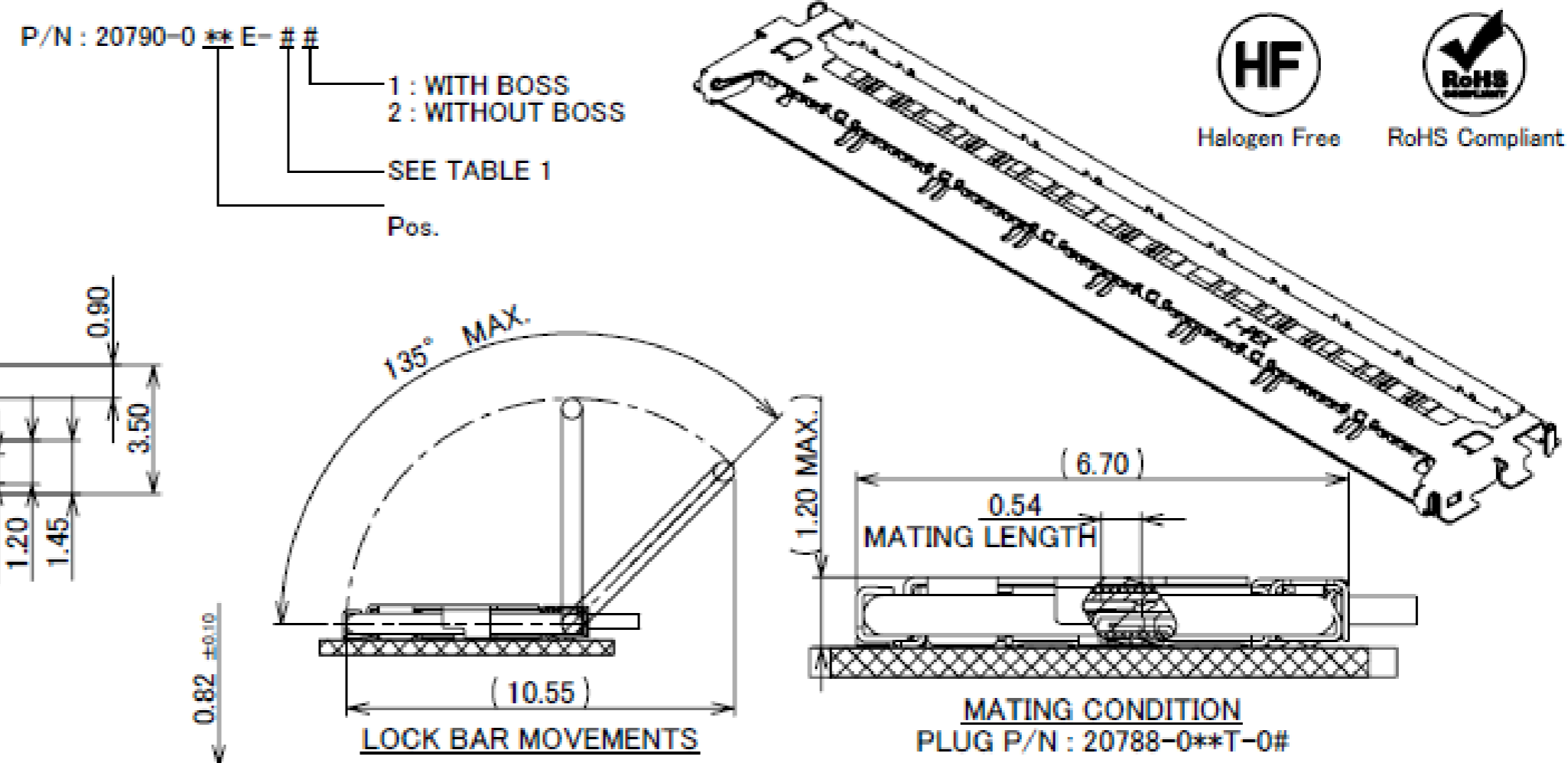
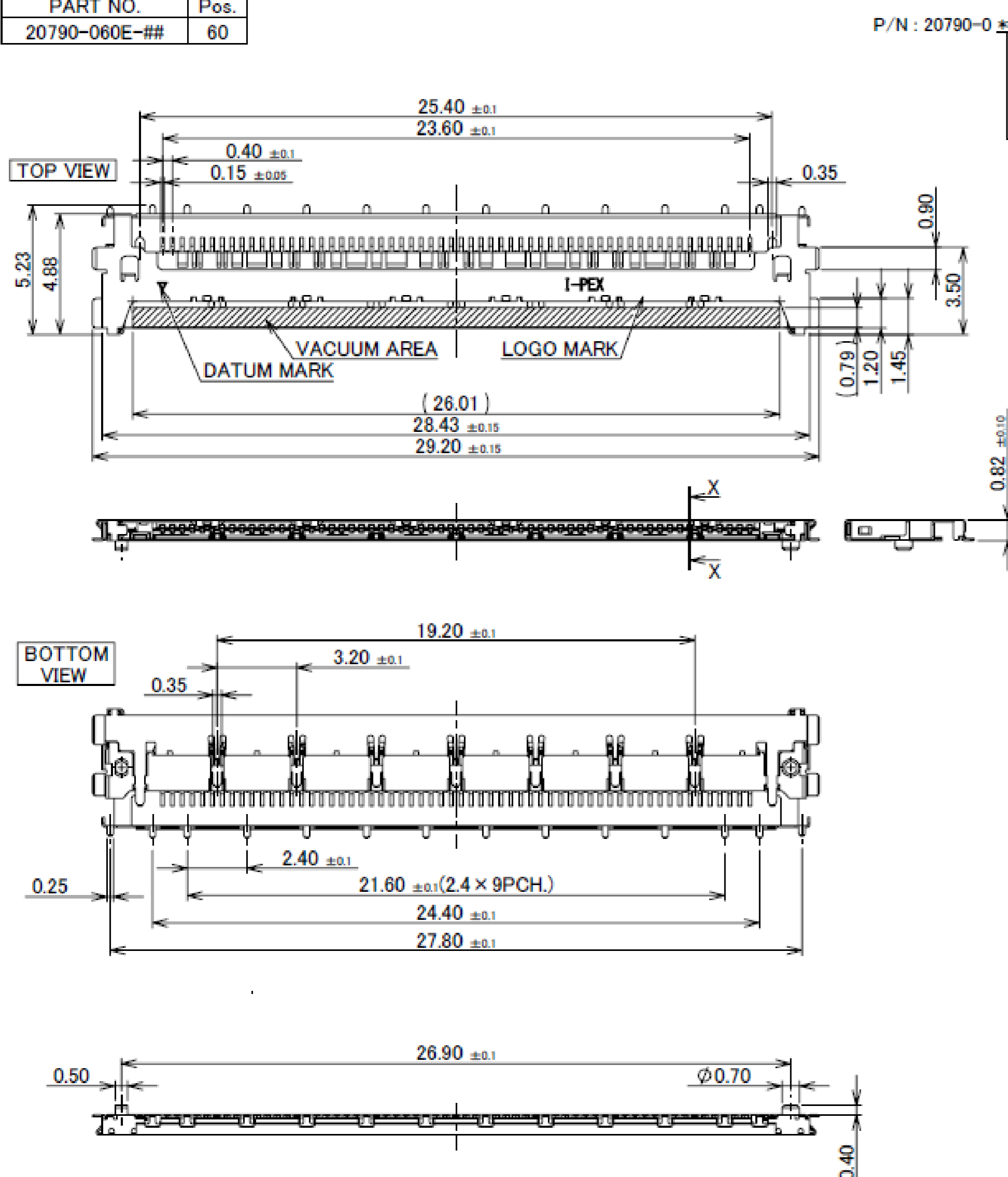
Shell Assembly

ITEMS	SPECIFICATION
RATING VOLTAGE	100V AC (PER CONTACT PIN)
RATING AMPERAGE (FOR SIGNAL CONTACT)	0.3A AC/DC (PER CONTACT PIN)
OPERATING TEMPERATURE	233~358K(-40°C~+85°C)
OPERATING HUMIDITY	85% MAX.(NON-CONDENSING)
CONTACT RESISTANCE (FOR SIGNAL CONTACT)	INITIAL : 60mohm MAX. / AFTER TEST : \triangle 40mohm MAX.
GROUND SHELL RESISTANCE	INITIAL : 60mohm MAX. / AFTER TEST : \triangle 40mohm MAX.
INSULATION RESISTANCE	INITIAL : 1000Mohm MIN. / AFTER TEST : 500Mohm MIN.
DIELECTRIC WITHSTANDING VOLTAGE	AC250V 1min
DURABILITY	30 CYCLES
MATING FORCE (INITIAL / AFTER TEST)	60P : 27.0N MAX.
UNMATING FORCE (INITIAL / AFTER TEST)	60P : 2.88N MIN.
PRODUCT SPECIFICATION	PRS-2893
TEST REPORT	TR-24034
PACKING STANDARD	PST-24023
INSTRUCTION MANUAL	HIM-24010
ASSEMBLY MANUAL	ASM-24004
APPEARANCE CRITERIA No.	QLS-A***

Rev.1

Receptacle Assembly

Recommended P/N	20790-0**E-02
PART NO.	Pos.
20790-060E-##	60

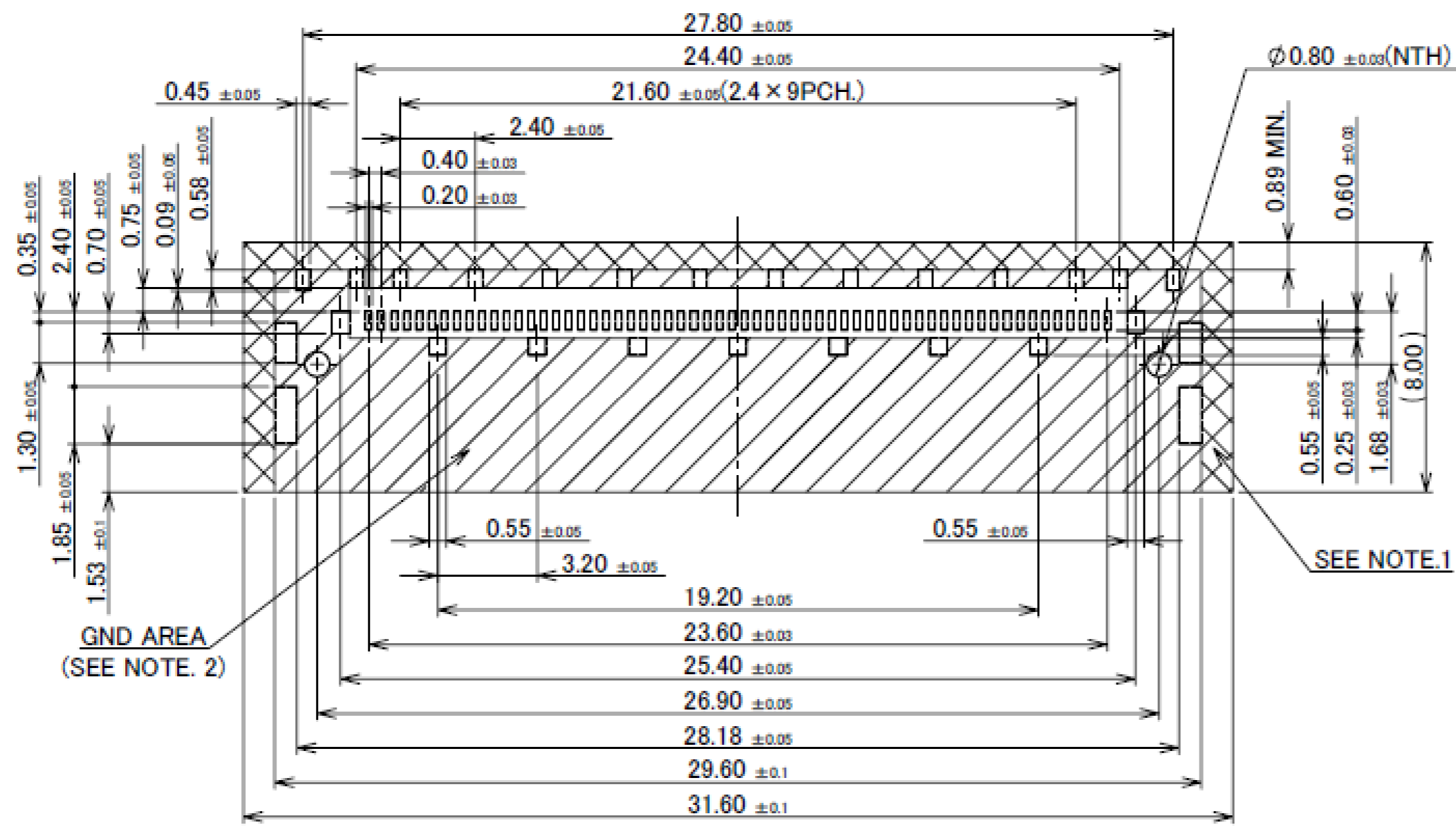


PART NO.	CONTACT FINISH
20790-0**E-0#	CONTACT & SOLDERING AREA: Au 0.03 μm MIN. OVER Ni 1.00 μm MIN.
20790-0**E-1#	CONTACT AREA: Au 0.38 μm MIN. OVER Ni 1.00 μm MIN. SOLDERING AREA: Au 0.03 μm MIN. OVER Ni 1.00 μm MIN.

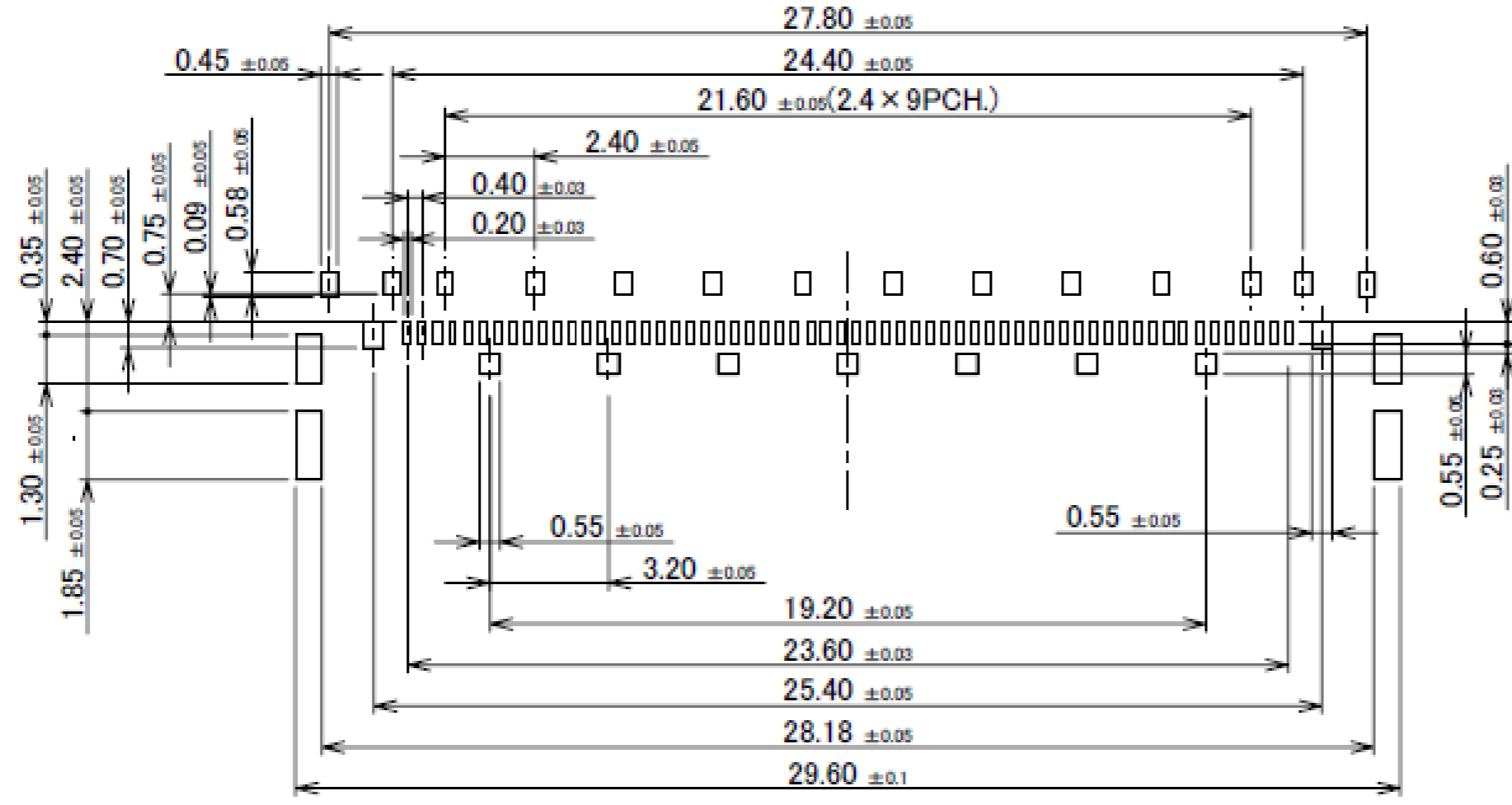
NO.	DISCRPTION	MATERIAL	FINISH, REMARKS
3	SHELL	PHOSPHOR BRONZE	ALL OVER Ni 1.00 μm MIN. SOLDERING AREA: Au 0.03 μm MIN.
2	CONTACT	PHOSPHOR BRONZE	SEE TABLE 1
1	HOUSING	LCP	UL94V-0, BLACK

Rev.14

Receptacle Assembly

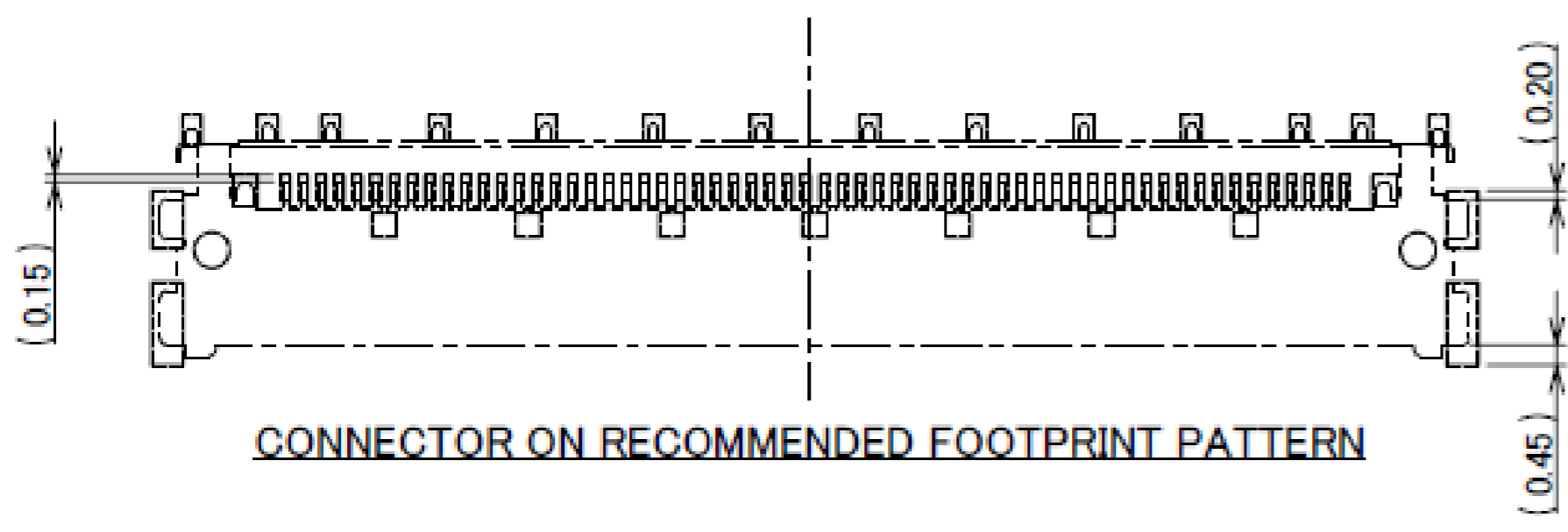


RECOMMENDED FOOTPRINT PATTERN LAYOUT

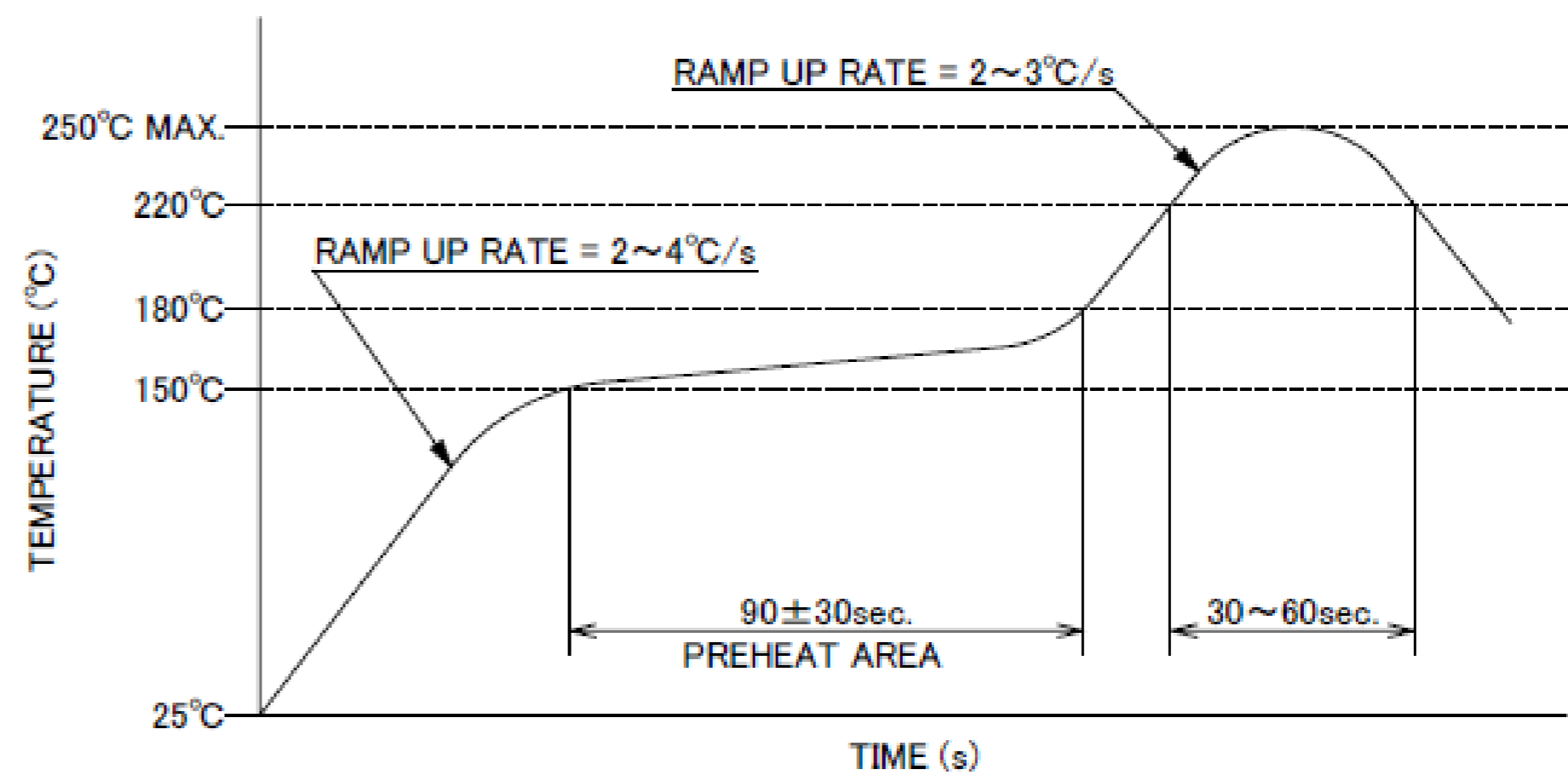


RECOMMENDED METAL MASK LAYOUT
METAL MASK THICKNESS : t=0.12mm

- NOTES.
1. DO NOT MOUNT ANOTHER COMPONENT IN THIS AREA.
2. SOLDER RESIST MUST BE APPLIED TO THIS AREA.



CONNECTOR ON RECOMMENDED FOOTPRINT PATTERN



REFLOW TEMPERATURE PROFILE
SENJU METAL INDUSTRY CO., LTD. : M705-SHF(Sn96.5 Ag3.0 Cu0.5)

Receptacle Assembly

ITEMS	SPECIFICATION
APPLICABLE CABLE	MICRO-COAXIAL CABLE : AWG# 44 , 42 , 40 , 38 , 36 DISCRETE WIRE : AWG# 36 , 34 TWINAX CABLE : AWG# 40 , 42
RATING VOLTAGE	100V AC (PER CONTACT PIN) ※THIS IS THE RATED VOLTAGE OF THE CONNECTOR. PLEASE NOTE THAT THE RATED VOLTAGE MAY VARY IN THE HARNESS DEPENDING ON THE CABLES USED.
RATING AMPERAGE (FOR CONTACT)	0.1A AC/DC [AWG#44] PER CONTACT PIN/UP TO 60 CONTACTS 0.24A AC/DC [AWG#42] PER CONTACT PIN/UP TO 60 CONTACTS 0.3A AC/DC [AWG#40] PER CONTACT PIN/UP TO 60 CONTACTS 0.5A AC/DC [AWG#38] PER CONTACT PIN/UP TO 18 CONTACTS 0.8A AC/DC [AWG#36] PER CONTACT PIN/UP TO 6 CONTACTS 1.0A AC/DC [AWG#34] PER CONTACT PIN/UP TO 6 CONTACTS ※TESTING BY REAL MACHINE IS RECOMMENDED BECAUSE TEMPERATURE RISE MAY AFFECTED BY ACTUAL SITUATION.
OPERATING TEMPERATURE	233~378K(-40°C~105°C)
OPERATING HUMIDITY	85% MAX.(NON-CONDENDING)
CONTACT RESISTANCE	INITIAL : 180mohm MAX.(AWG#34) / AFTER TEST : \triangleleft40mohm MAX. 275mohm MAX.(AWG#36) 360mohm MAX.(AWG#38) 600mohm MAX.(AWG#40) 700mohm MAX.(AWG#42) 1080mohm MAX.(AWG#44)
GROUND SHELL RESISTANCE	INITIAL : 50mohm MAX. / AFTER TEST : \triangleleft40mohm MAX.
INSULATION RESISTANCE	INITIAL : 1000Mohm MIN. / AFTER TEST : 500Mohm MIN.
DIELECTRIC WITHSTANDING VOLTAGE	AC250V 1min
DURABILITY	30 CYCLES
MATING FORCE (INITIAL / AFTER 30 CYCLES)	29.10N MAX.
UN-MATING FORCE (INITIAL / AFTER 30 CYCLES)	6.0N MIN.
CABLE RETENTION FORCE	29.40N MIN.
COPLANARITY	0.10 MAX.
PRODUCT SPECIFICATION	PRS-2261
TEST REPORT	TR-16075, TR-23031
INSTRUCTION MANUAL	HIM-16028
PACKING STANDARD	PST-16078
APPEARANCE CRITERIA NO.	QLS-A***

Rev.14

Custom Connectors Available

 RF Connector

MHF® series



 CABLINE® series
Micro-coaxial/Twinax/
Discrete Wire Connector



 Optical Module

LIGHTPASS® series



NOVASTACK® series

 Board-to-Board Connector



 Power Connector/
Terminal

AP series

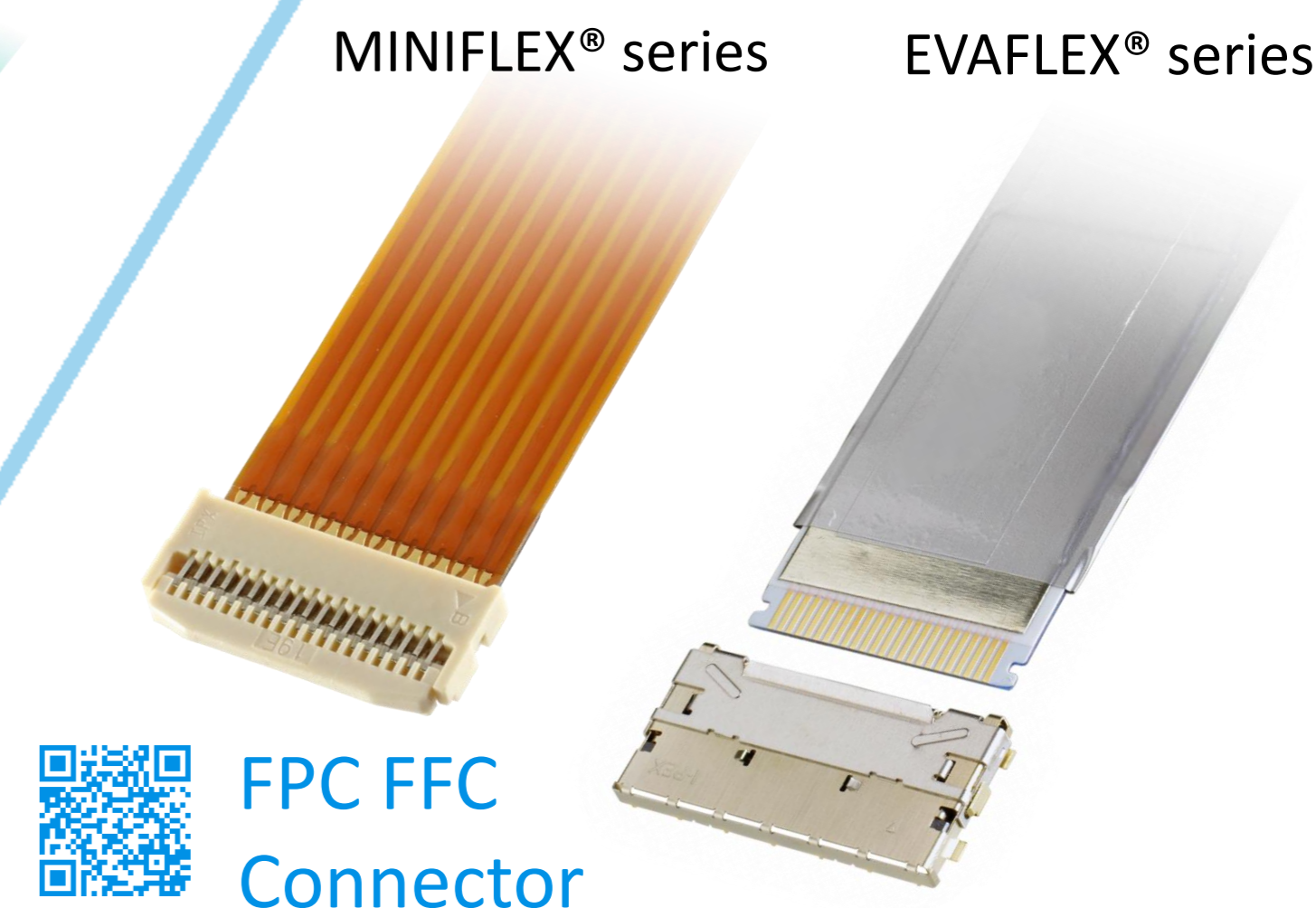
ISH® series



MINIFLEX® series

EVAFLEX® series

 FPC FFC Connector

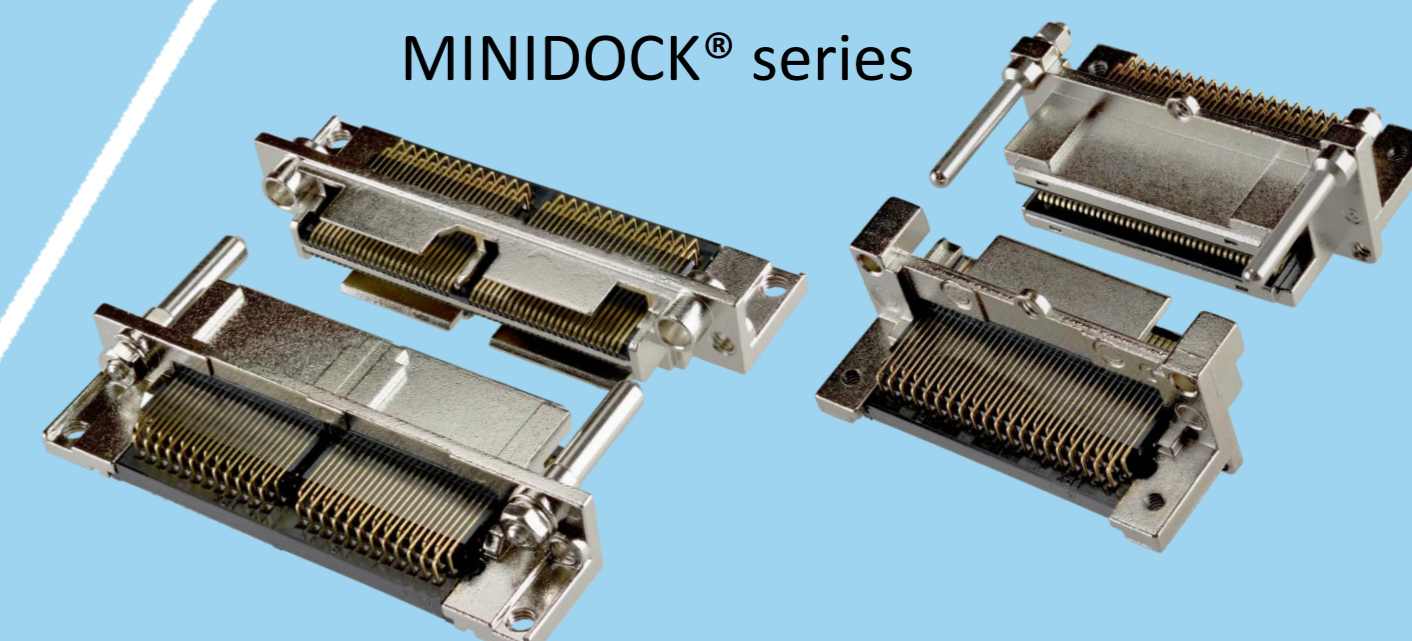


Inquiry



MINIDOCK® series

 I/O Connector



I-PEX, MHF, CABLINE, LIGHTPASS, NOVASTACK, ISH, IARPB, MINIFLEX, EVAFLEX, MINIDOCKS and ZenShield are registered trademarks of I-PEX Inc. Please note that the contents in the catalog might be changed without prior notification. I-PEX Inc. assumes no responsibility for any inaccuracies or obligation to update information on these documents. Please be sure to read and understand the latest "Precautions for Use" and "Instruction Manual" before you use our products. We shall not be responsible for any defects, damages or troubles in case you use our products without following the precautions for use. Please feel free to contact our sales representatives when you use our products for any applications that require very high reliability and safety, or that relate to human life (ex. nuclear power control, aerospace, transportation, medical equipment, safety equipment etc.).

Contact your sales representative or more detailed information.

www.i-pex.com



I-PEX

© I-PEX Inc. 2024
All rights reserved