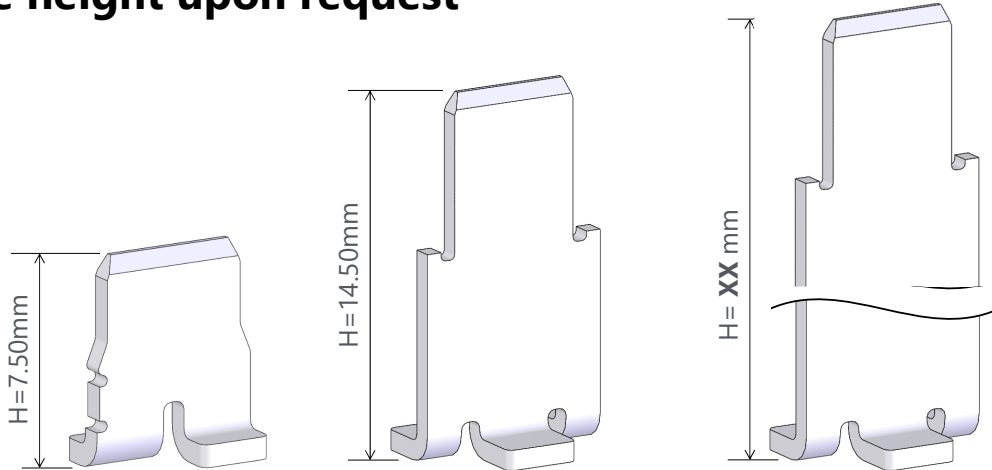




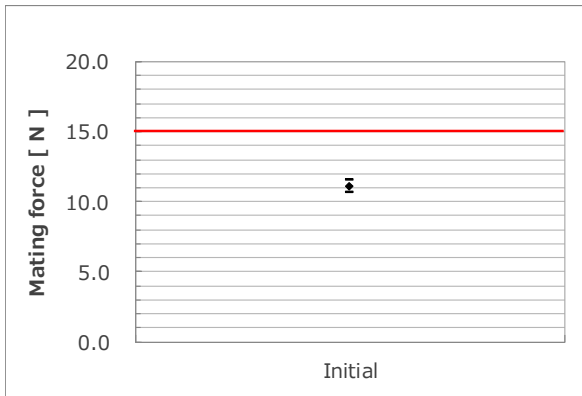
- ✓ Customizable height design upon request
- ✓ 15N Max. low mating force
- ✓ Space-saving SMT design

Amperage (based on our sample unit measurement)	16A AC/DC
Mating force	15N Max.
Contact resistance	1.0 mΩ Max.

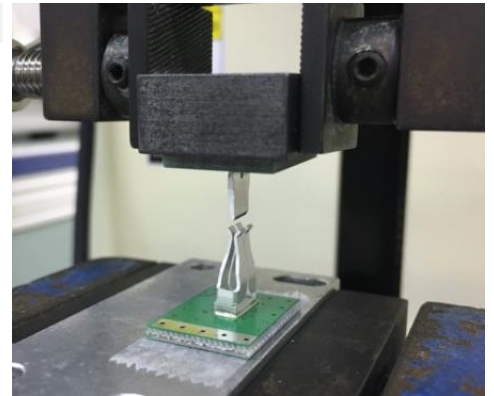
## Customizable height upon request



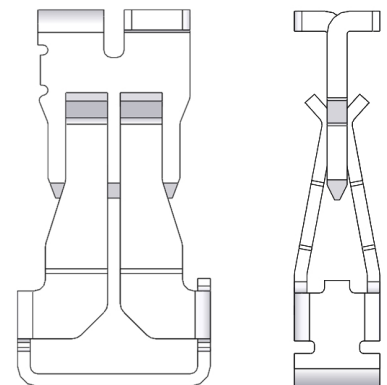
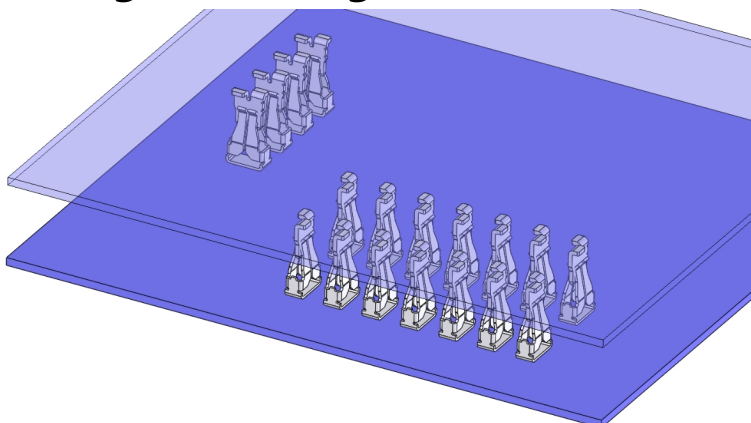
## 15N max. low mating force



	Mating force
Ave.	11.07
Max.	11.60
Min.	10.60
Spec.	15N max.



## Space saving SMT design





Copyright © I-PEX Inc. 2020. All rights reserved.

I-PEX, MHF, CABLINE, NOVASTACK, EVAFLEX, MINIFLEX, ISH, IARPB, IASLP, ESTORQ, i-Fit and ISFIT are registered trademarks of I-PEX Inc. Please note that the contents in the catalog might be changed without prior notification. I-PEX Inc. assumes no responsibility for any inaccuracies or obligation to update Information on these documents. Please be sure to read and understand the latest "Precautions for Use" and "Instruction Manual" before you use our products. We shall not be responsible for any defects, damages or troubles in case you use our products without following the precautions for use. Please feel free to contact our sales representatives when you use our products for any applications that require very high reliability and safety, or that relate to human life (ex. nuclear power control, aerospace, transportation, medical equipment, safety equipment etc.).

Contact your sales representative for more detailed information. [ [i-pex.com](http://i-pex.com) ]