

AP-TSS10, AP-LT10

高强度电流(32A)、高温(125°C) 垫片/电源端子、PCB SMT端子，
使用SMT和M3(8.00毫米)螺钉即可轻松操作

Product Specifications:

Product name	AP-TSS10 / AP-LT10	
Parts number and name	3782-0001 (AP-TSS10)	
	3571-0081-02T (AP-LT10)	
Size (mm)	Height (mm)	8.00 mm (AP-TSS10)
		1.00 mm (AP-LT10)
	Width (mm)	$\phi 7.00 \pm 0.10$ mm (AP-TSS10)
		$\phi 8.20 \pm 0.10$ mm (AP-LT10)
Mating Type	Vertical (M3 thread screw)	
Plating Type	Sn / Ni plating	
Packing standard	EMBOSS	

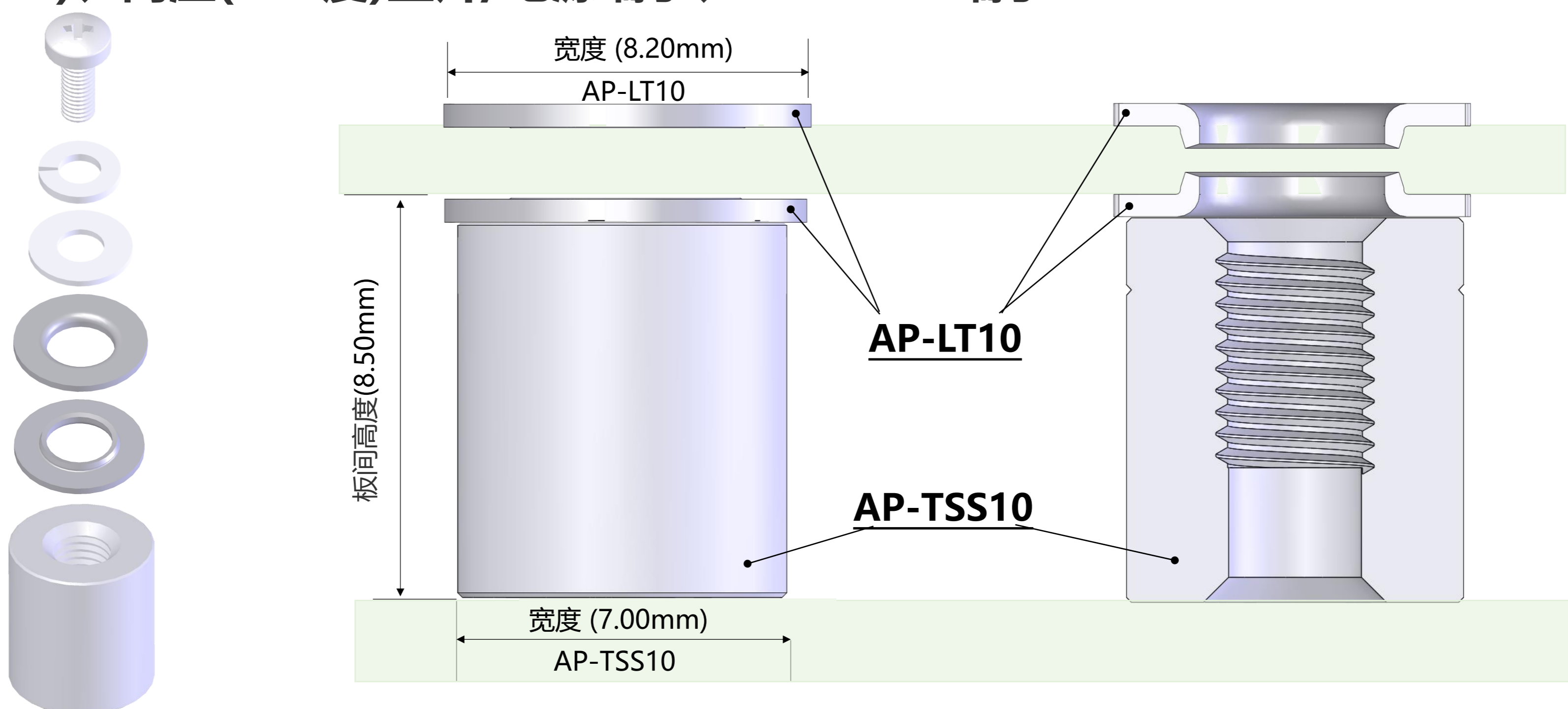
*关于高度范围、尺寸和电流强度，请您咨询我们。

Product Specifications:

Amperage	32A DC
Operating Temperature	-40 - 125°C
Contact resistance	1.0 m Ω Max.



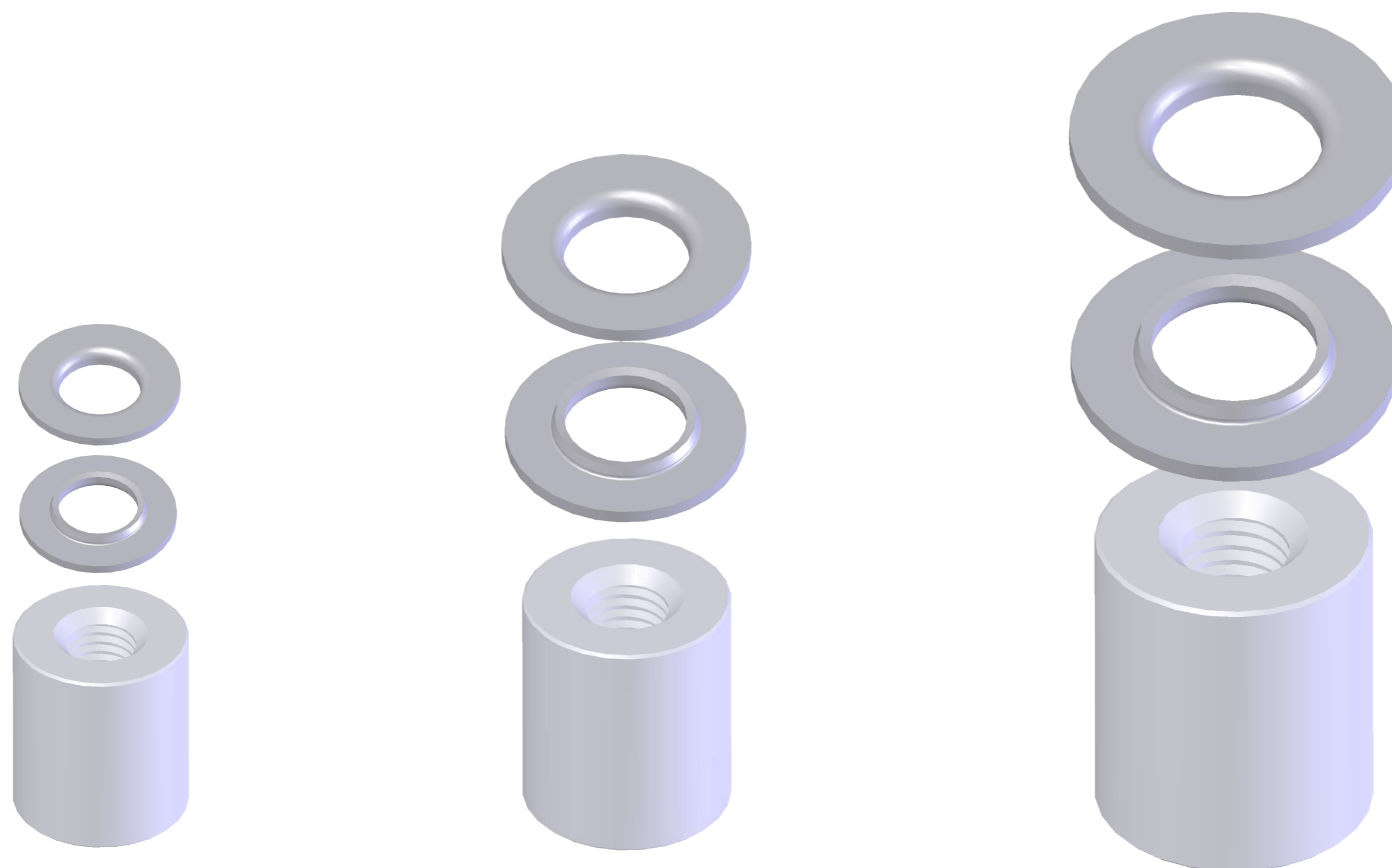
▶ 高强度电流(32A)、高温(125度)垫片/电源端子、PCB SMT端子



▶ 减轻连接器重量，使其在安装反向器的情况下第二次流动，并有助于灵活的SMT设计

	连接器结构	第一次回熔焊接	第二次反向回熔焊接
黄铜	<p>单位: mg 材质: 黄铜: 重量 8.5 镀层: 镍 跨镀: 镀锡</p>		
铝	<p>材质: 铝: 重量 2.8 镀层: 镍 跨镀: 镀锡</p> <p>重量比: 下降了67%</p>		

▶ 可根据要求提供特殊尺寸

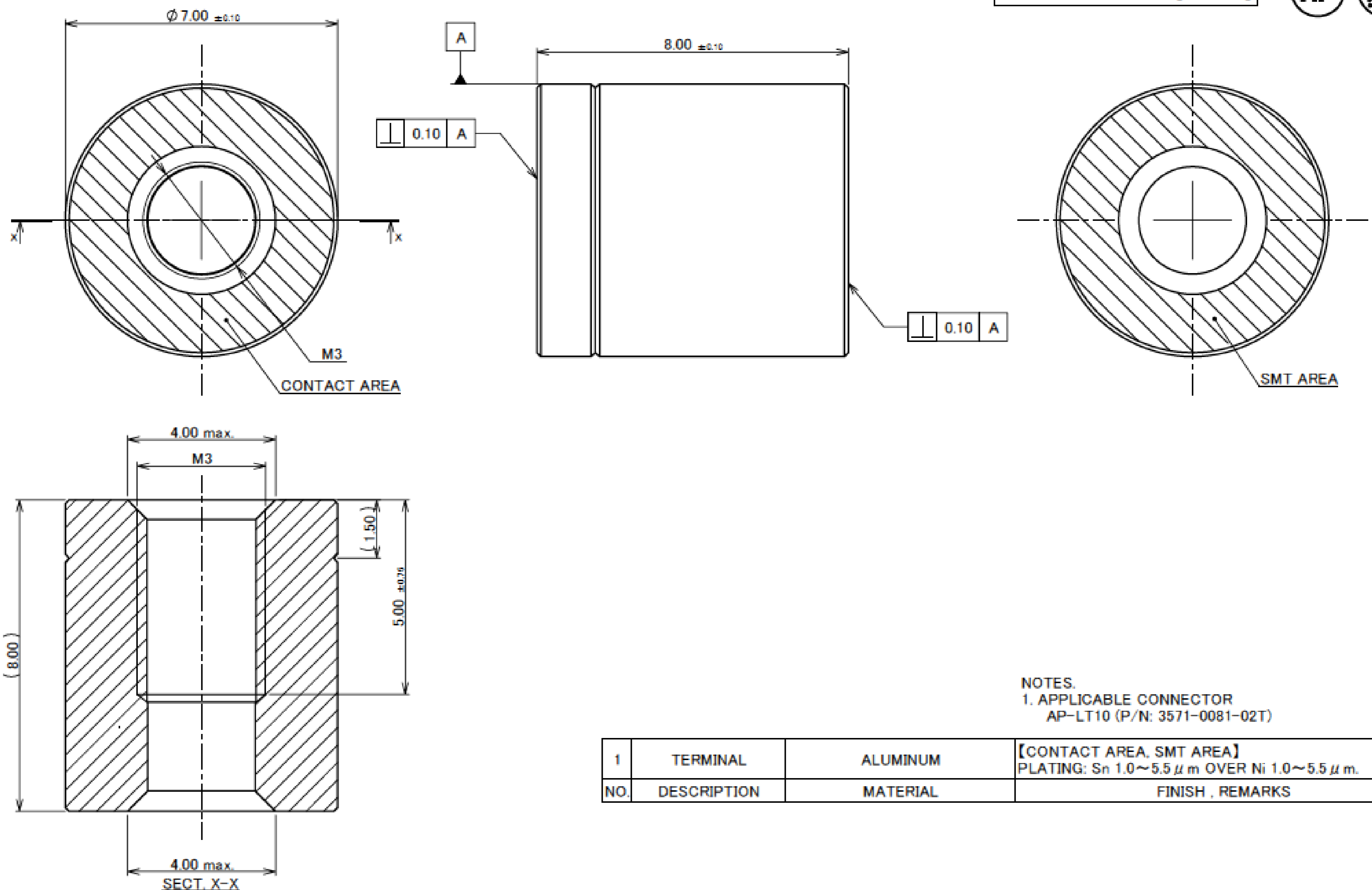
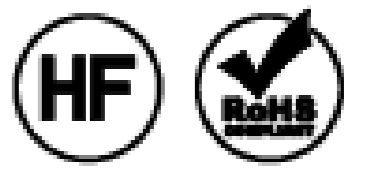


Component Parts Details

AP-TSS10

Recommended P/N	3782-0001
PART No.	3782-0001

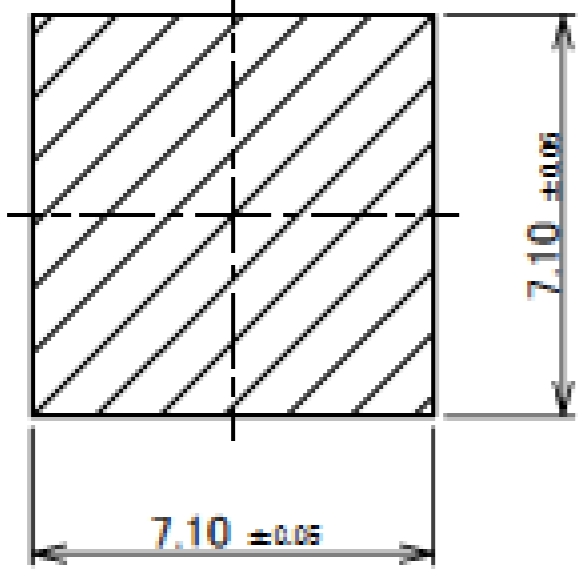
IATF 16949 Certified [Planned]



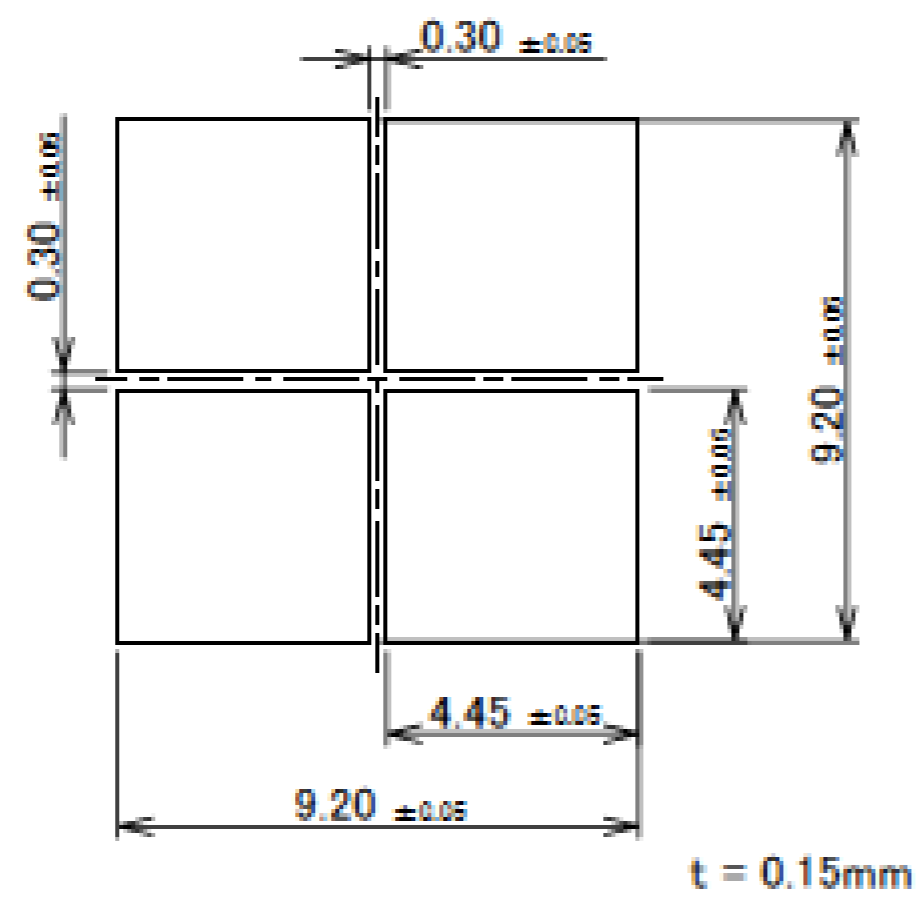
NOTES.
1. APPLICABLE CONNECTOR
AP-LT10 (P/N: 3571-0081-02T)

NO.	DESCRIPTION	MATERIAL	FINISH , REMARKS
1	TERMINAL	ALUMINUM	【CONTACT AREA, SMT AREA】 PLATING: Sn 1.0~5.5 μ m OVER Ni 1.0~5.5 μ m.

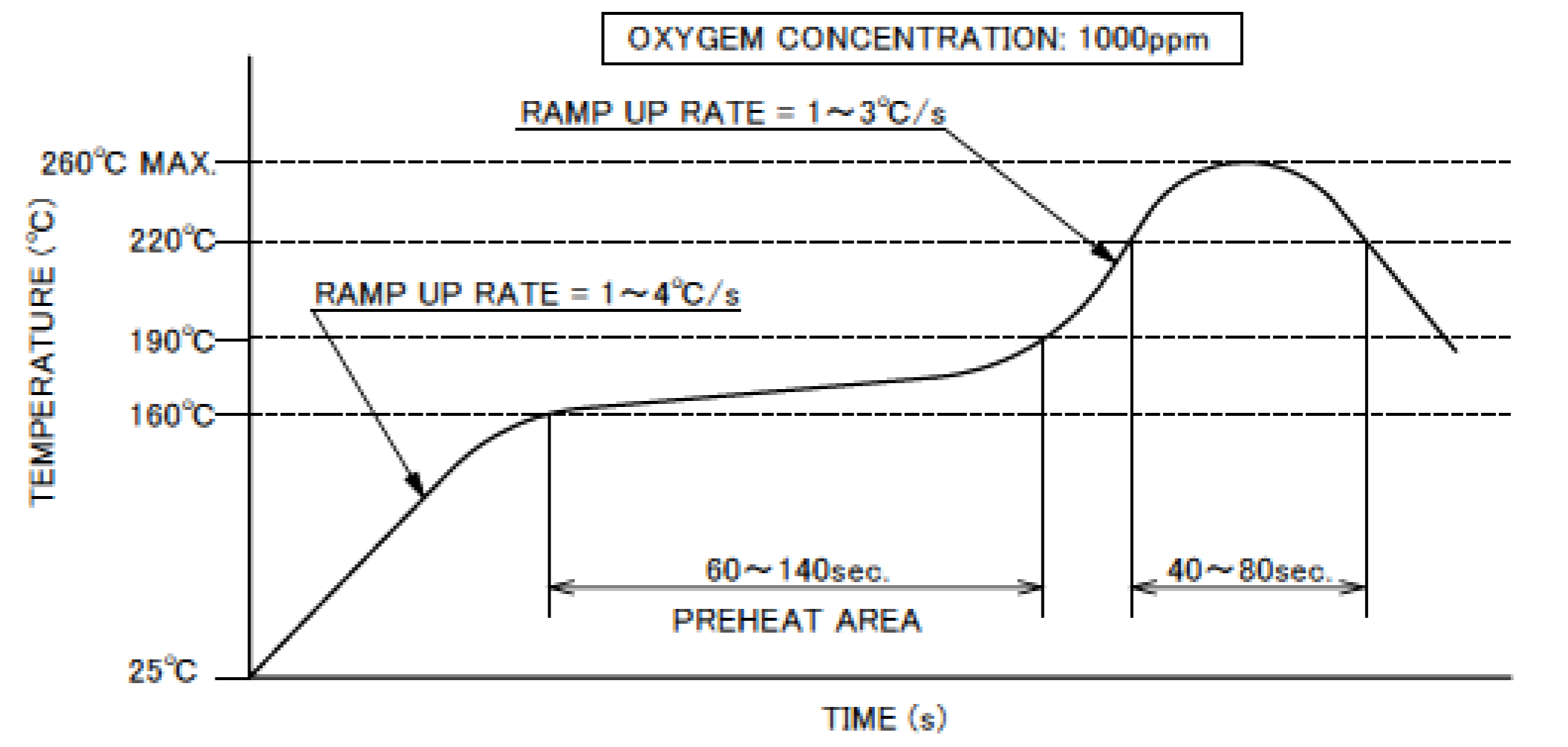
AP-TSS10



RECOMMENDED PCB LAYOUT



RECOMMENDED METAL MASK LAYOUT



REFLOW TEMPERATURE PROFILE
 ARAKAWA CHEMICAL INDUSTRY CO., LTD. : PSP-V (Sn96.5 Ag3.0 Cu0.5)

Rev.1

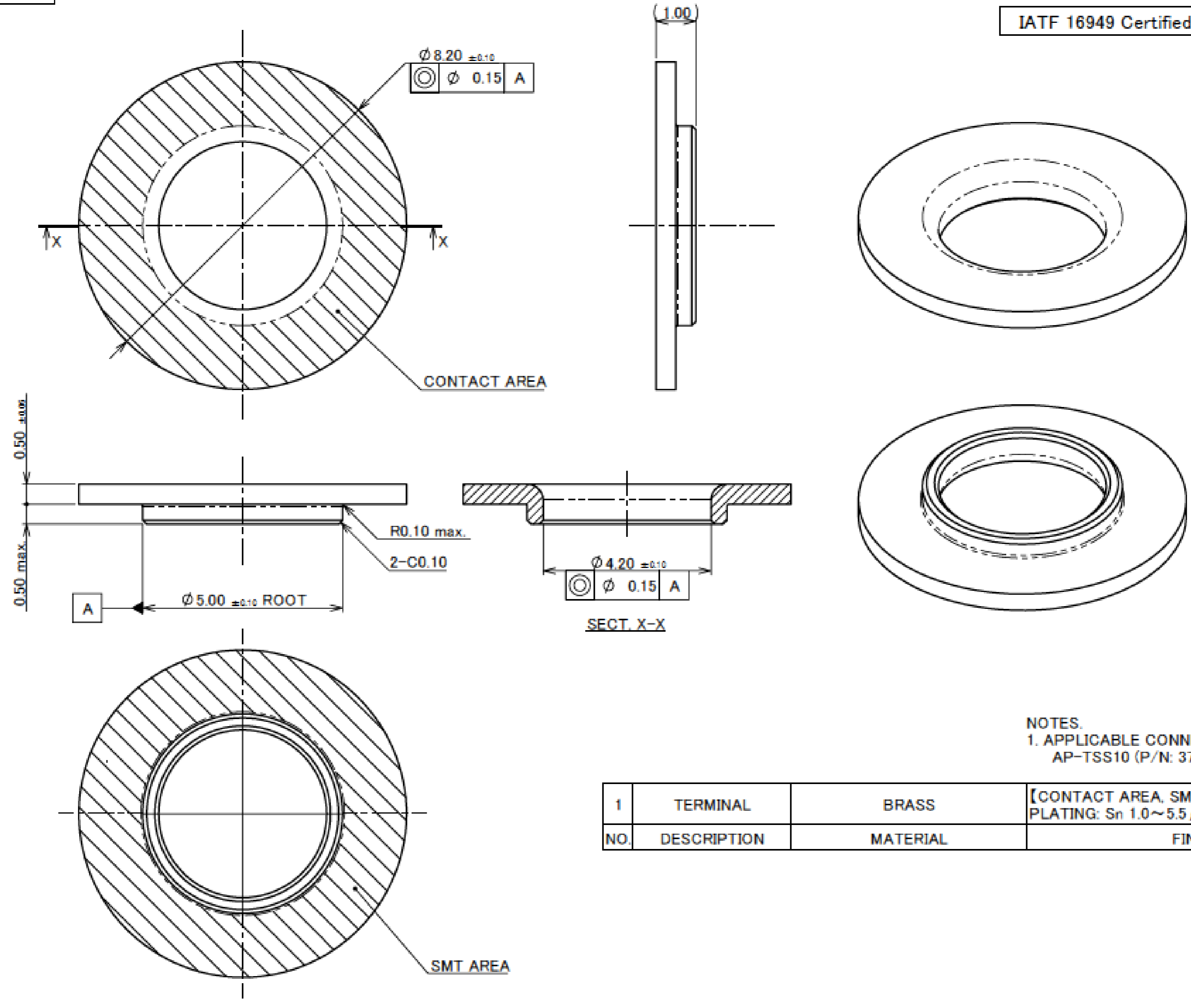
ITEMS	SPECIFICATION
RATING VOLTAGE	32A DC
OPERATING TEMPERATURE	233~398K(-40°C~+125°C)
OPERATING HUMIDITY	85% MAX.(NON-CONDENSING)
CONTACT RESISTANCE	INITIAL : 1.0mohm MAX. / AFTER TEST : 1.0mohm MAX.
SCREW TIGHTENING TORQUE	0.75~0.93 Nm(REFERENCE)
PRODUCT SPECIFICATION	PRS-2845
TEST REPORT	TR-23036
PACKING STANDARD	PST-23063
APPEARANCE CRITERIA No.	QLS-A***

Rev.1

AP-LT10

Recommended P/N	3571-0081-02T
PART No.	
3571-0081-02T	

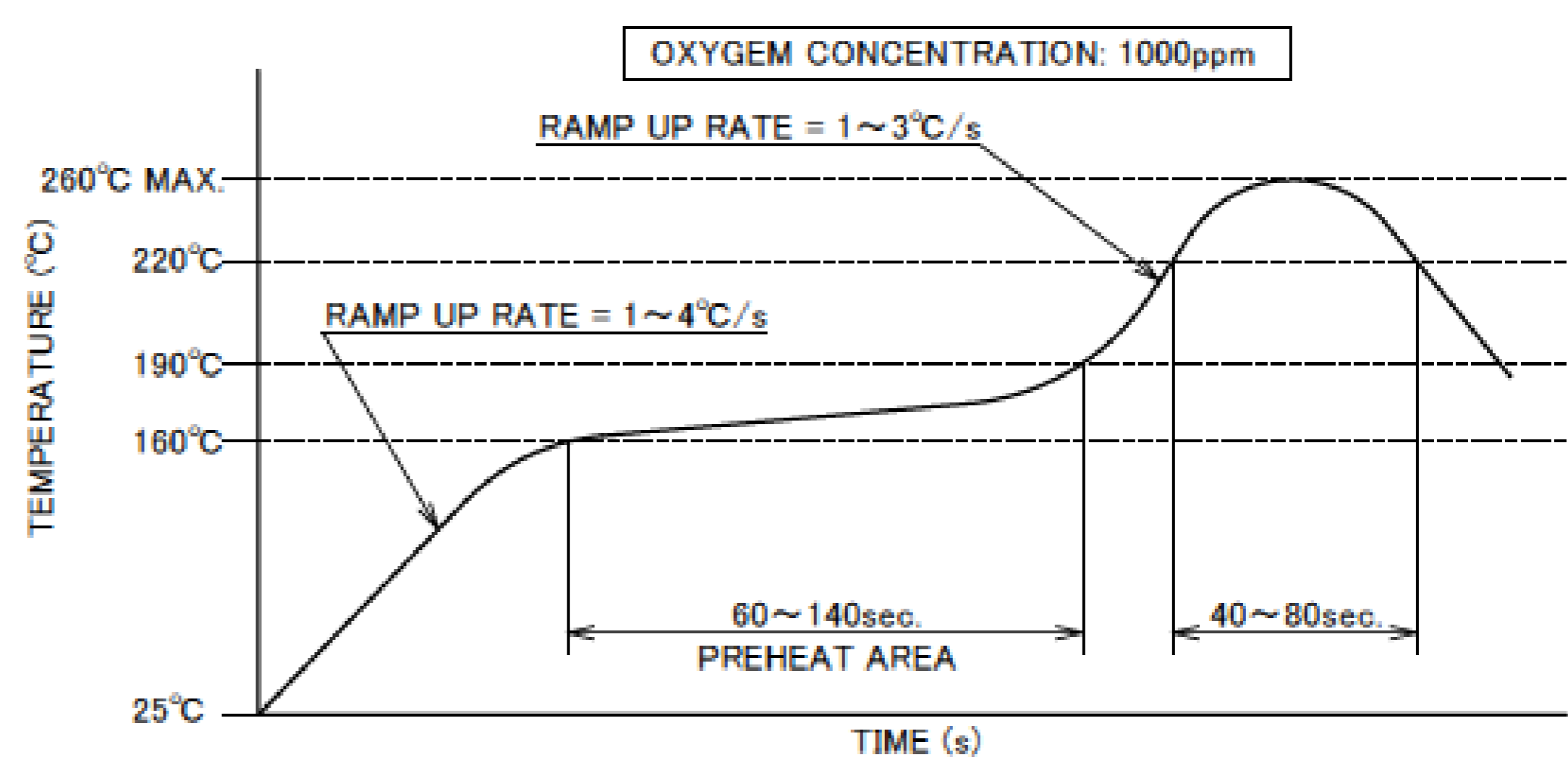
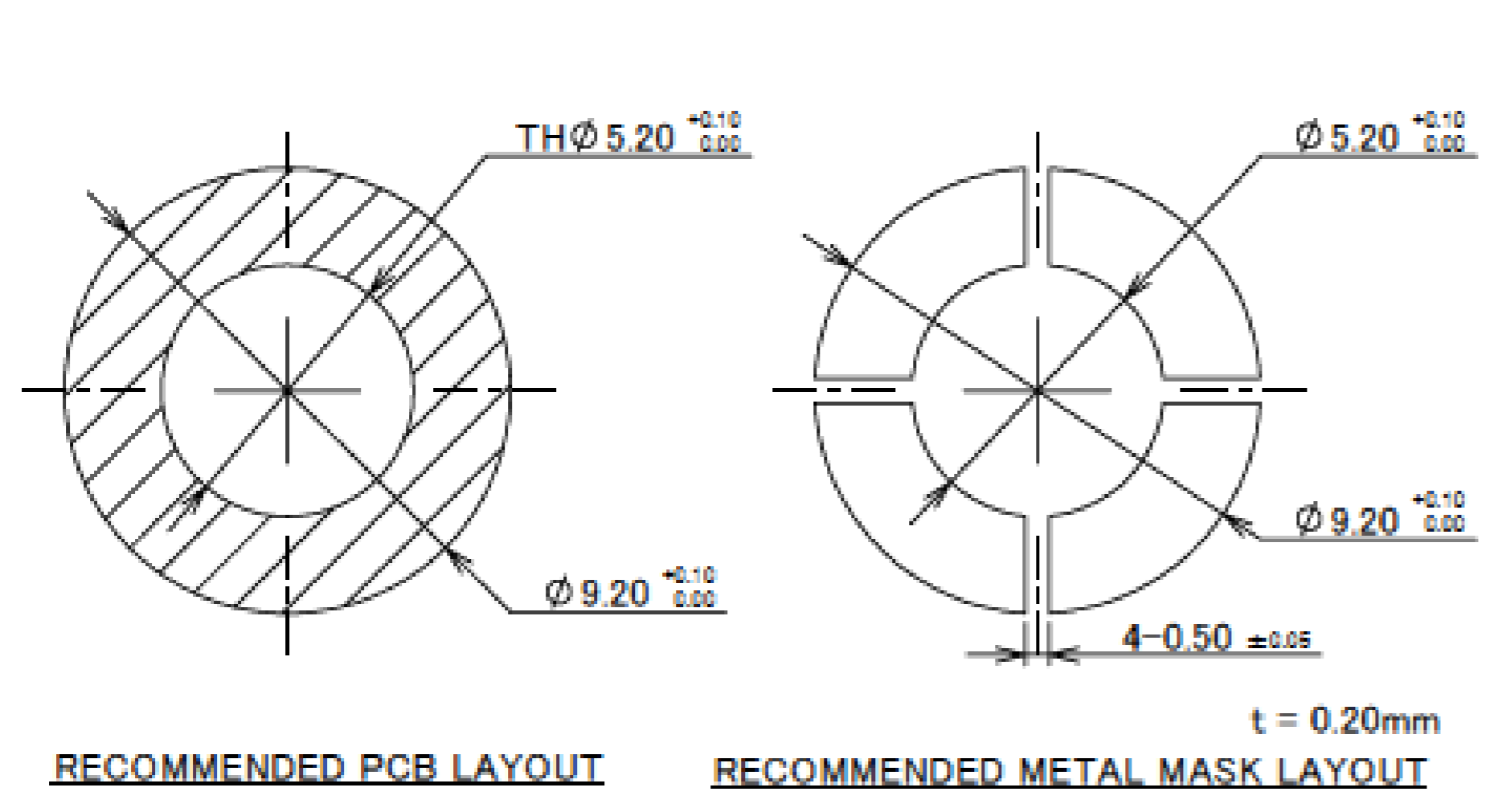
IATF 16949 Certified



NOTES.
1. APPLICABLE CONNECTOR
AP-TSS10 (P/N: 3782-0001)

NO.	DESCRIPTION	MATERIAL	FINISH, REMARKS
1	TERMINAL	BRASS	【CONTACT AREA, SMT AREA】 PLATING: Sn $1.0 \sim 5.5 \mu\text{m}$ OVER Ni $1.0 \sim 5.5 \mu\text{m}$

Rev.0



REFLOW TEMPERATURE PROFILE
ARAKAWA CHEMICAL INDUSTRY CO., LTD. : PSP-V (Sn96.5 Ag3.0 Cu0.5)

Rev.0

AP-LT10

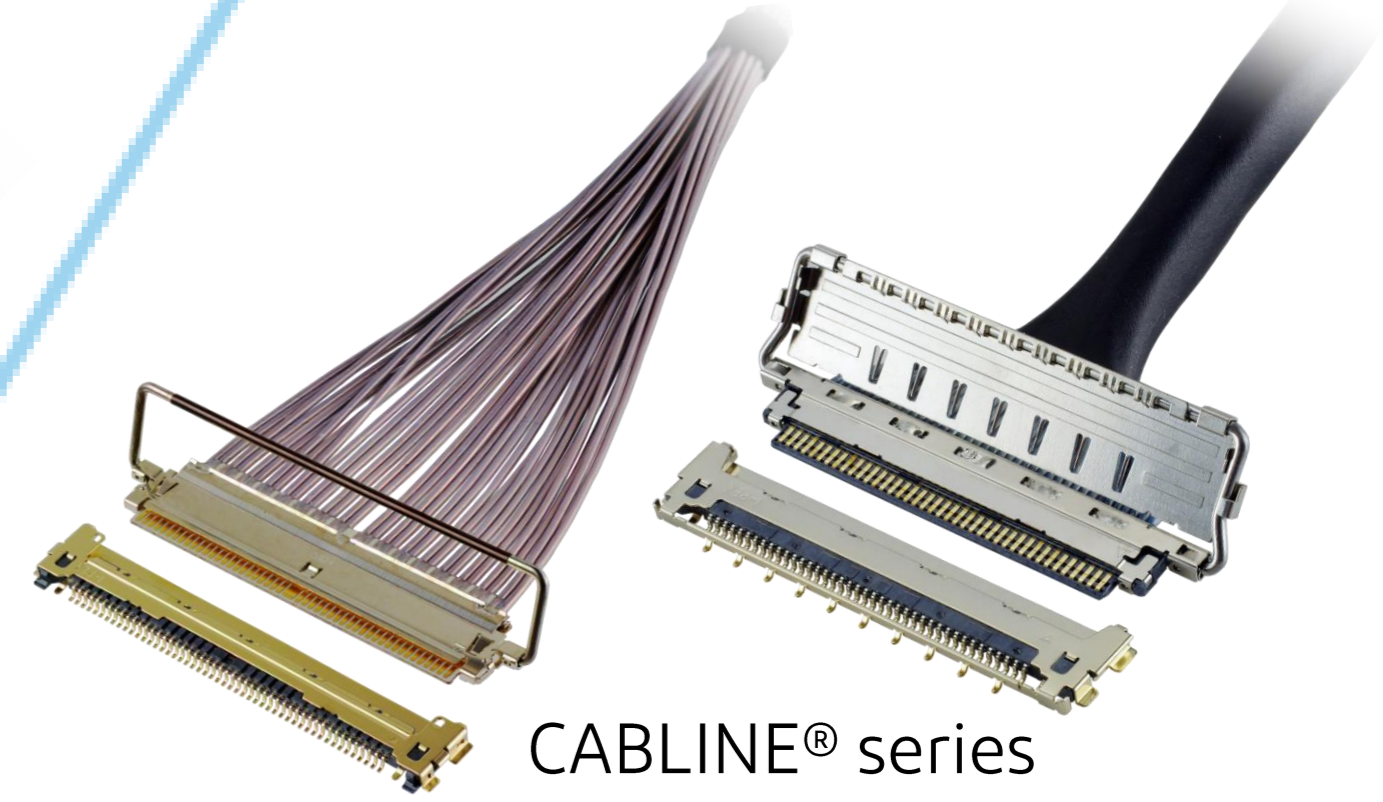
ITEMS	SPECIFICATION
RATING VOLTAGE	32A DC
OPERATING TEMPERATURE	233~398K(-40°C~+125°C)
OPERATING HUMIDITY	85% MAX.(NON-CONDENSING)
CONTACT RESISTANCE	INITIAL : 1.0mohm MAX. / AFTER TEST : 1.0mohm MAX.
SCREW TIGHTENING TORQUE	0.75~0.93 Nm(REFERENCE)
PRODUCT SPECIFICATION	PRS-2845
TEST REPORT	TR-23036
PACKING STANDARD	PST-23064
APPEARANCE CRITERIA No.	QLS-A***

Rev.0

Custom Connectors Available

RF Connectors

MHF® series



CABLINE® series



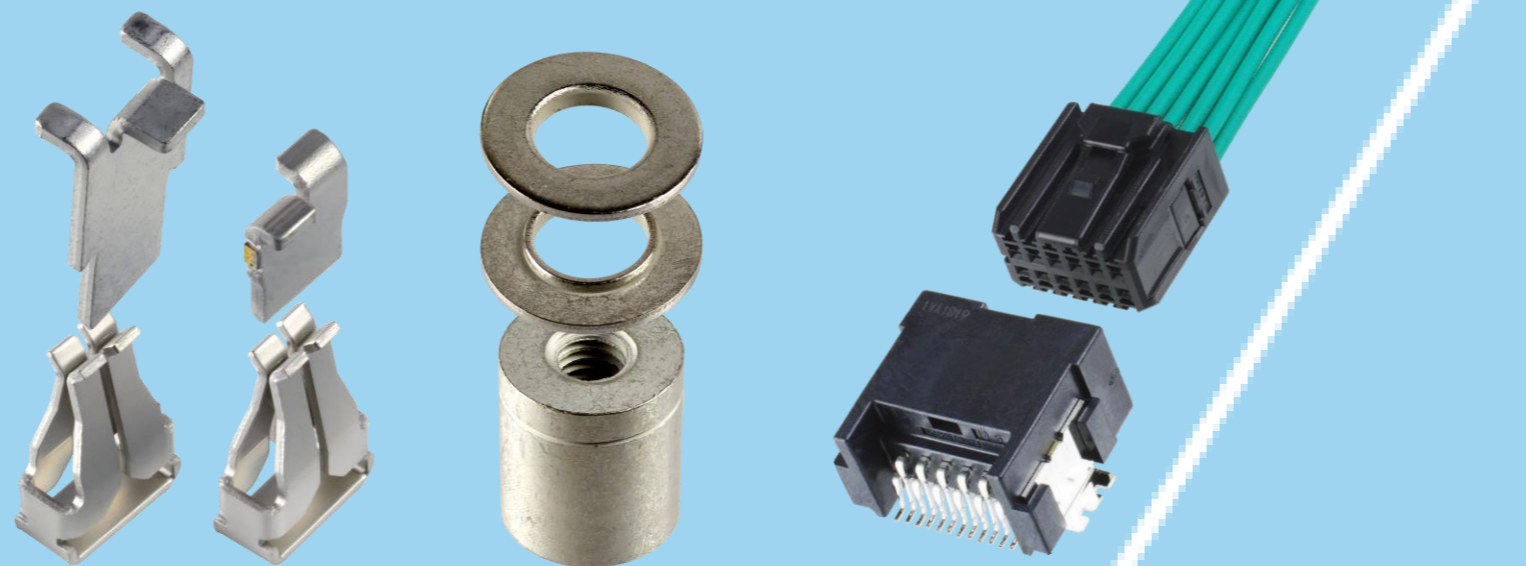
Micro-coaxial/Twinax Connectors



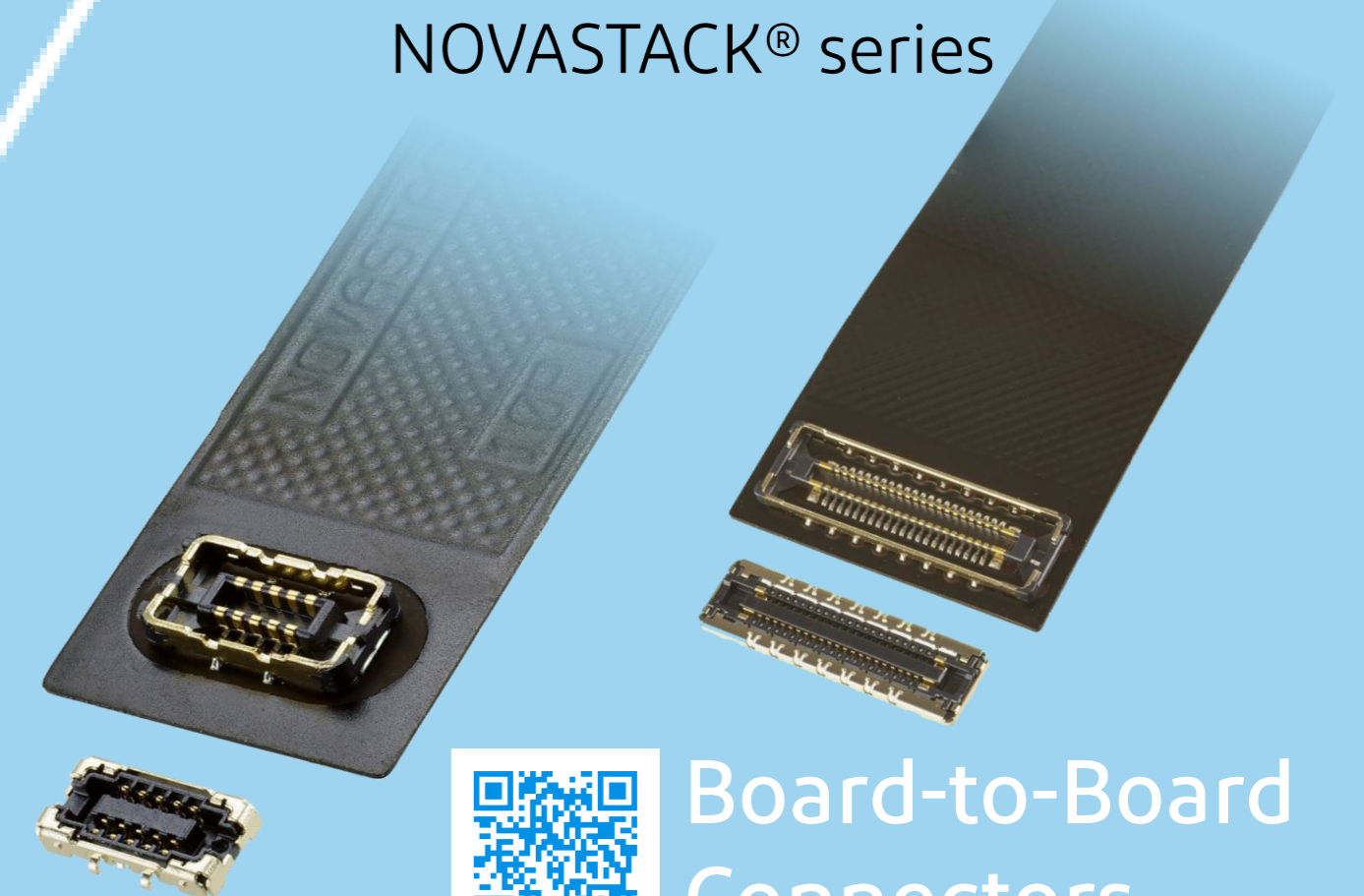
Wire-to-Board Connectors/Terminals

AP series

ISH® series



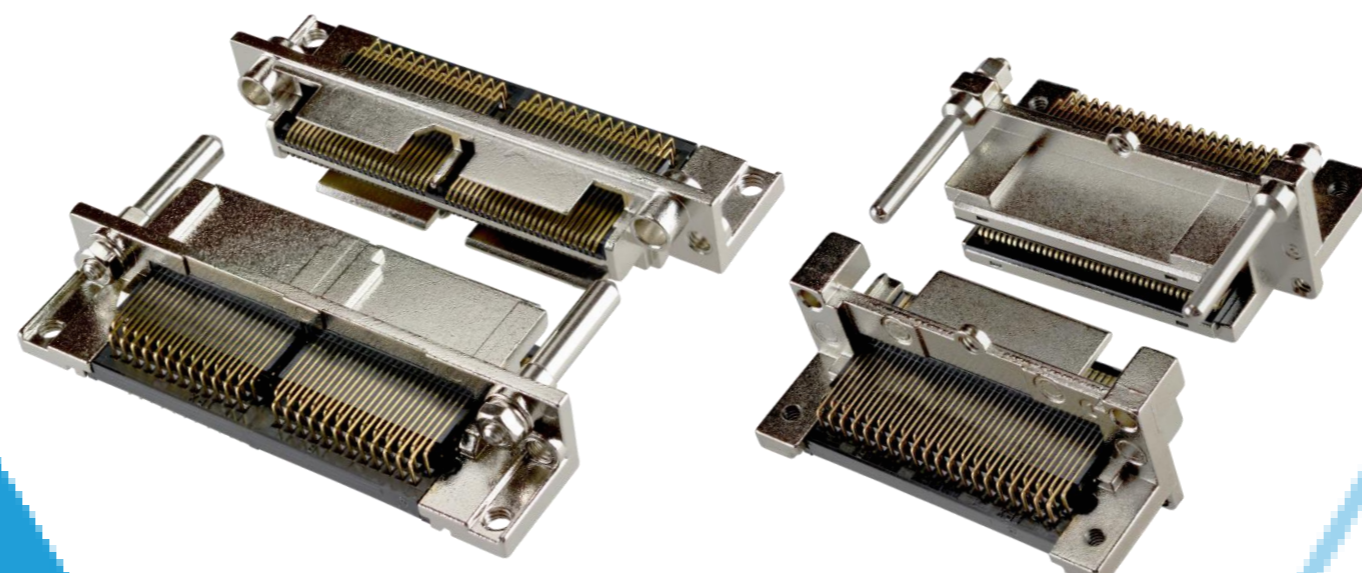
NOVASTACK® series



Board-to-Board Connectors

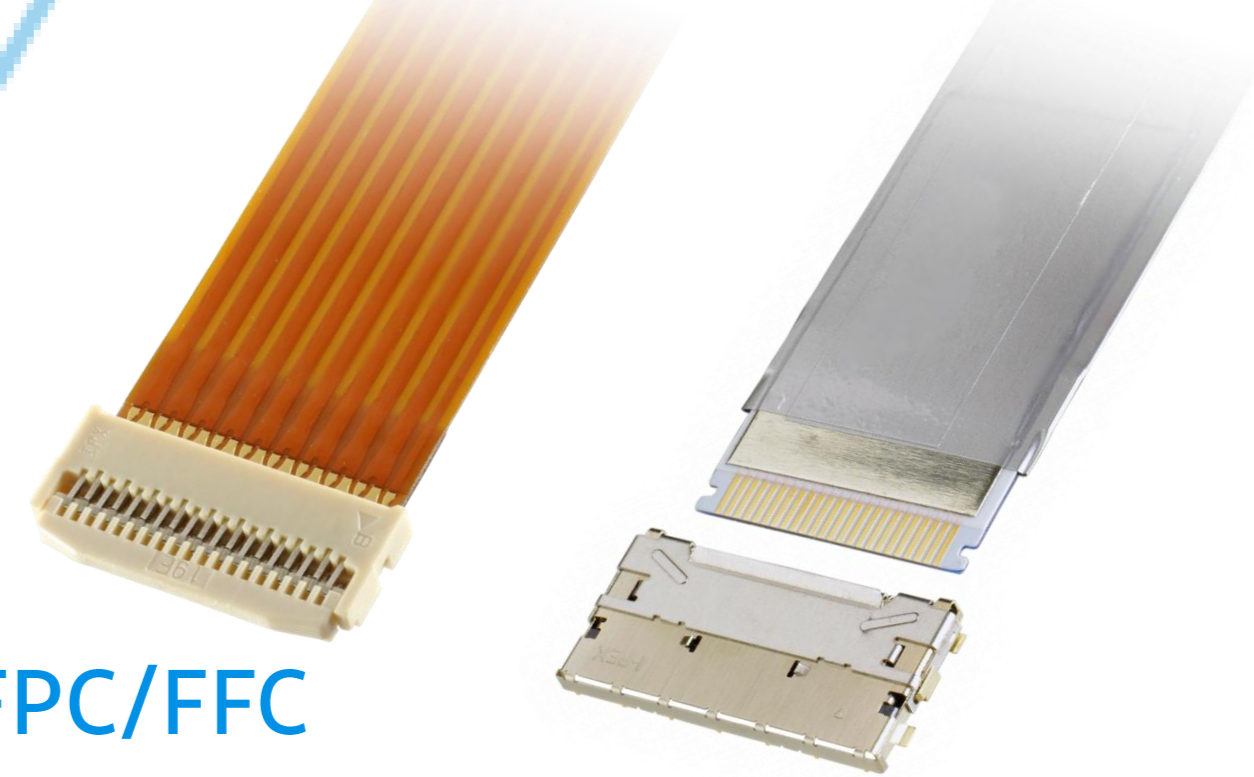


I/O Connectors



MINIDOCK™ series

MINIFLEX® series EVAFLEX® series



FPC/FFC Connectors



Inquiry



I-PEX, MHF, CABLINE, NOVASTACK, ISH, IARPB, MINIFLEX, EVAFLEX, MINIDOCK and ZenShield are registered trademarks of I-PEX Inc. Please note that the contents in the catalog might be changed without prior notification. I-PEX Inc. assumes no responsibility for any inaccuracies or obligation to update information on these documents. Please be sure to read and understand the latest "Precautions for Use" and "Instruction Manual" before you use our products. We shall not be responsible for any defects, damages or troubles in case you use our products without following the precautions for use. Please feel free to contact our sales representatives when you use our products for any applications that require very high reliability and safety, or that relate to human life (ex. nuclear power control, aerospace, transportation, medical equipment, safety equipment etc.).

Contact your sales representative or more detailed information.

www.i-pex.com



I-PEX

© I-PEX Inc. 2025
All rights reserved