

AP-TSS10, AP-LT10

大電流(32A)、高温対応(125°C) スーパー/電源端子、PCB SMT端子をSMTとM3(8.00mm)ネジにて簡単接続

Product Specifications:

Product name	AP-TSS10 / AP-LT10	
Parts number and name	3782-0001 (AP-TSS10) 3571-0081-02T (AP-LT10)	
Size (mm)	Height (mm)	8.00 mm (AP-TSS10) 1.00 mm (AP-LT10)
	Width (mm)	φ7.00 ± 0.10 mm (AP-TSS10) φ8.20 ± 0.10 mm (AP-LT10)
Mating Type	Vertical (M3 thread screw)	
Plating Type	Sn / Ni plating	
Packing standard	EMBOSS	

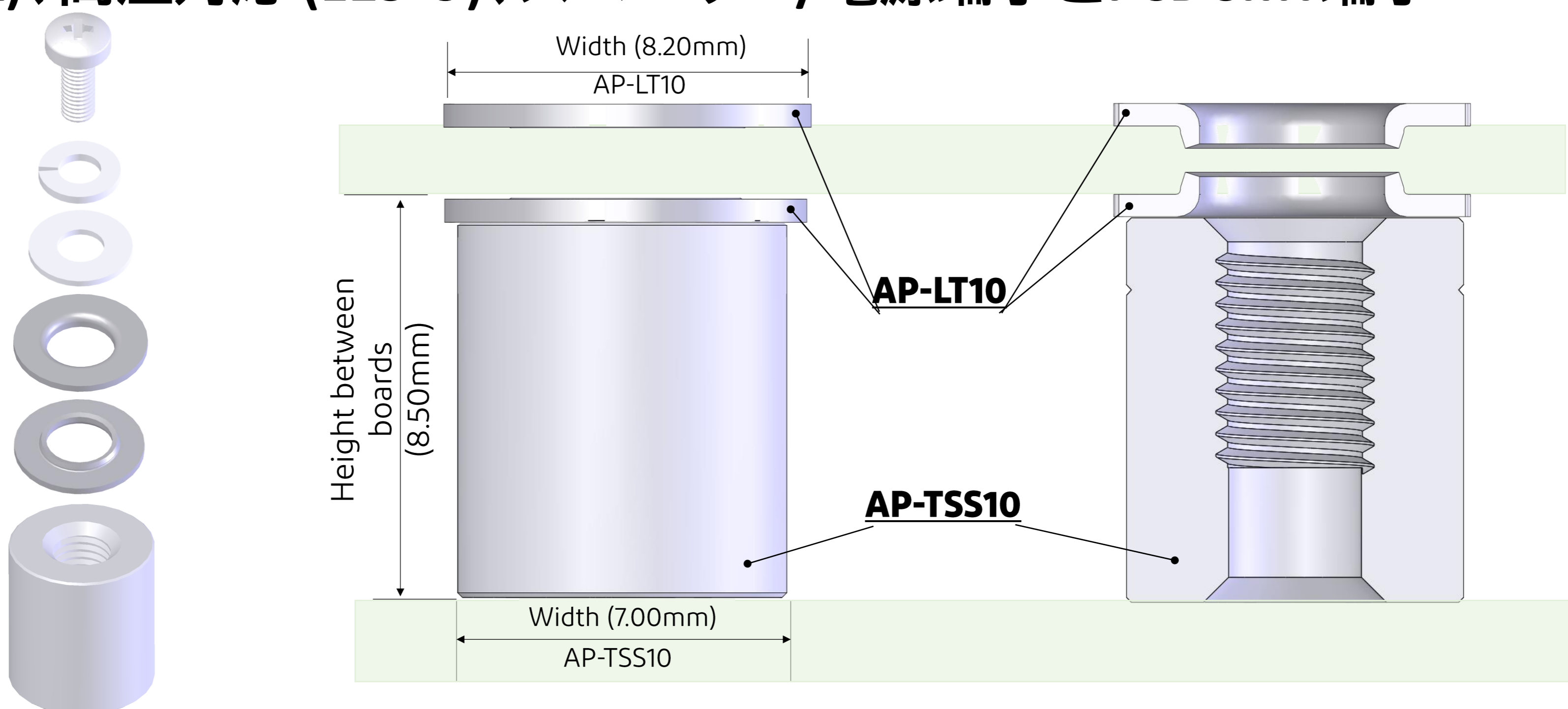
*高さ範囲、サイズ、電流アンペア数についてはお問い合わせください。

Product Specifications:

Amperage	32A DC
Operating Temperature	-40 - 125°C
Contact resistance	1.0 mΩ Max.



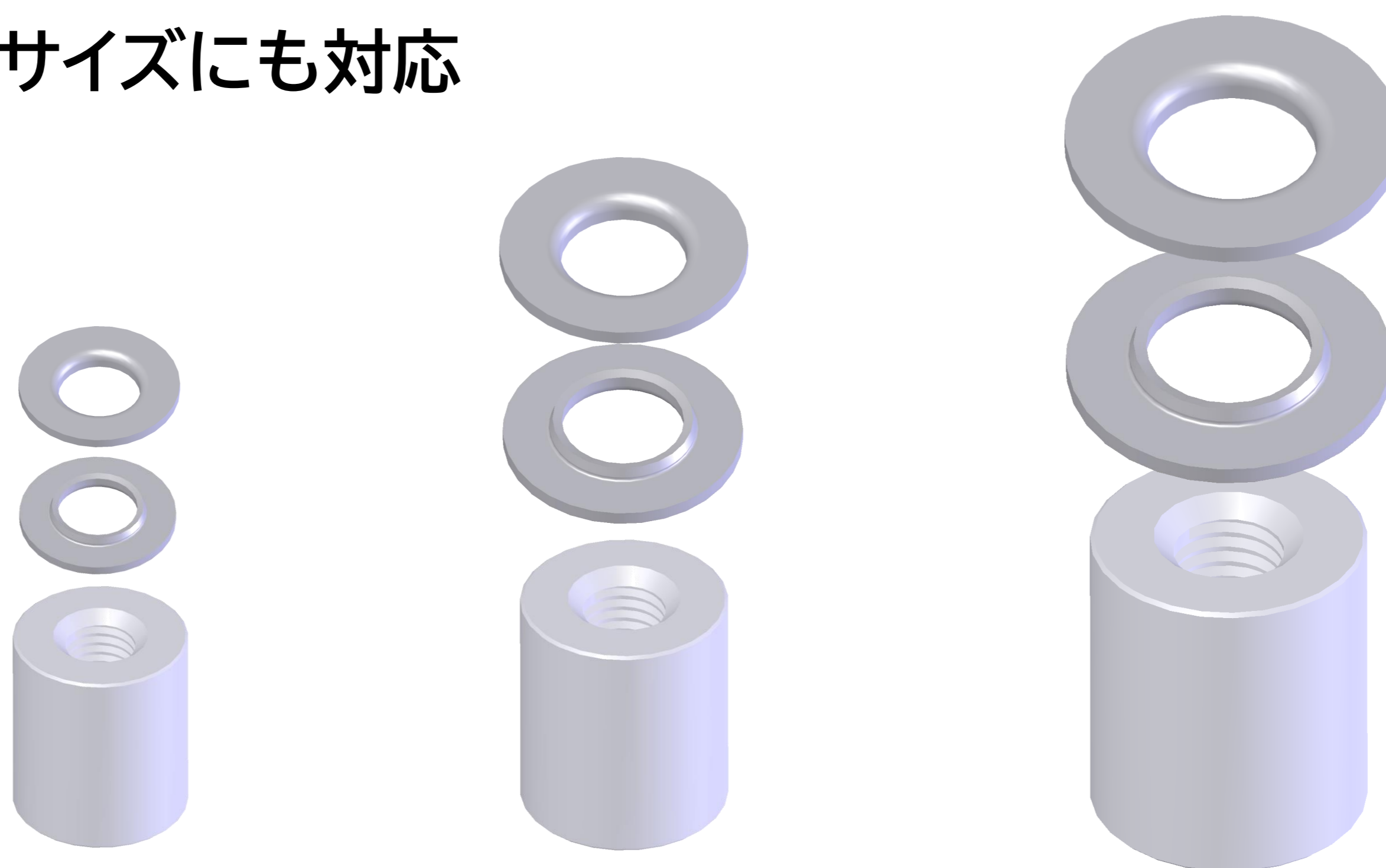
▶ 大電流 (32A)、高温対応 (125°C)、スーパー/電源端子とPCB SMT端子



▶ コネクタの軽量化により、逆さ実装に対応し、柔軟なSMT設計に貢献

項目	材料構成	1回目リフロー実装	2回目逆さ実装
黄銅材	単位: mg 母材 黄銅: 比重8.5 下地メッキ ニッケル メッキ 錫		
アルミ材	母材 アルミ: 比重2.8 下地メッキ ニッケル メッキ 錫 比重約 67%Down		

▶ ご要望に応じて特別サイズにも対応

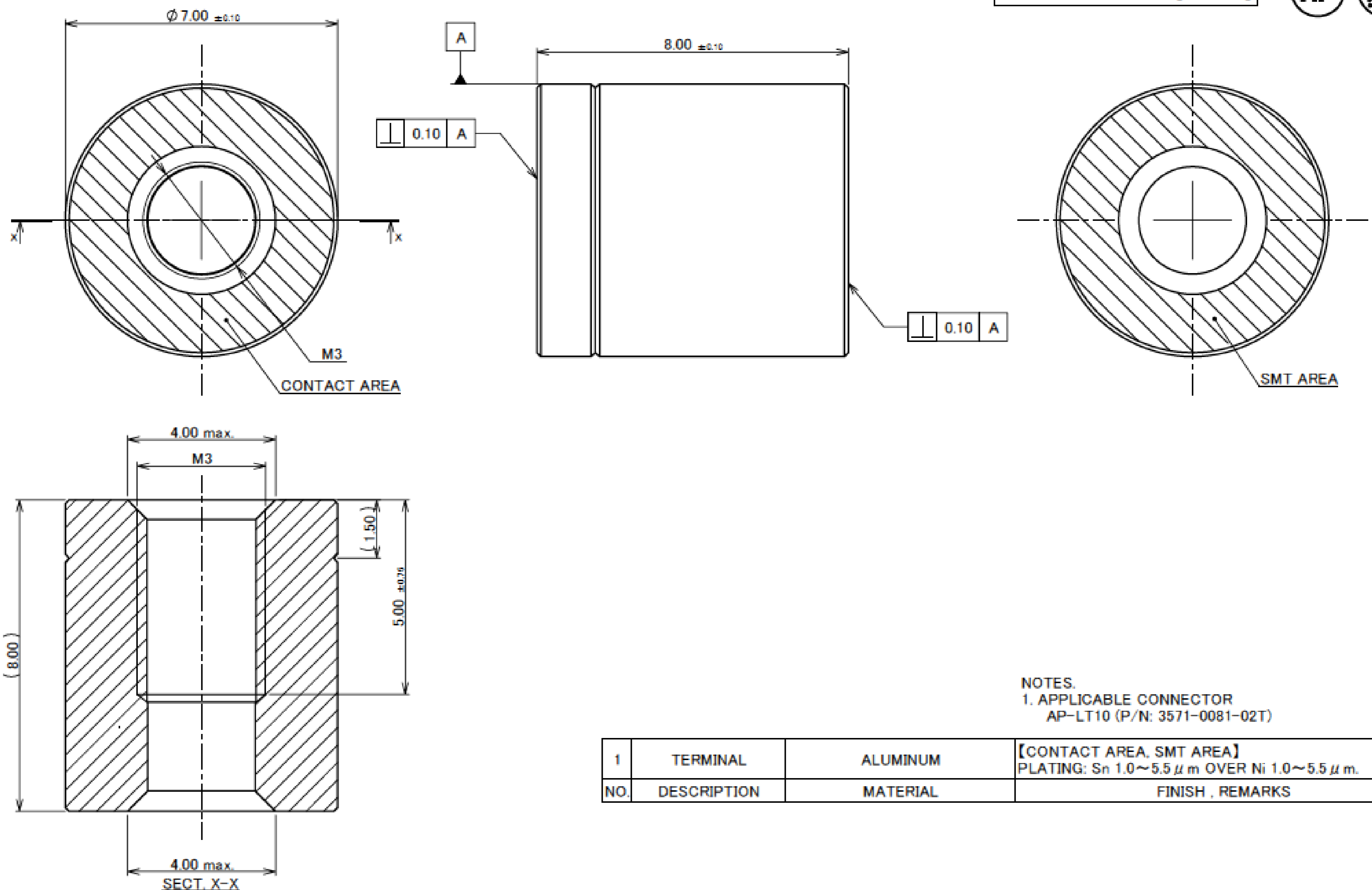
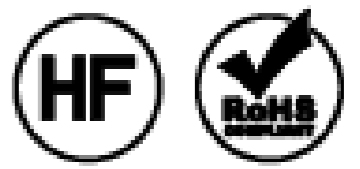


Component Parts Details

AP-TSS10

Recommended P/N	3782-0001
PART No.	3782-0001

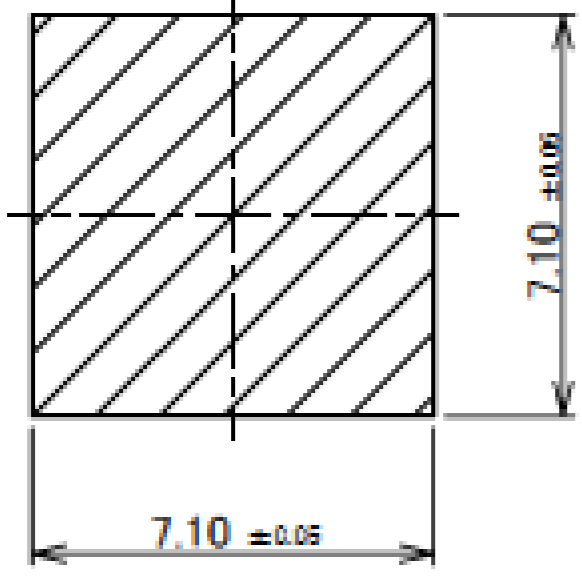
IATF 16949 Certified [Planned]



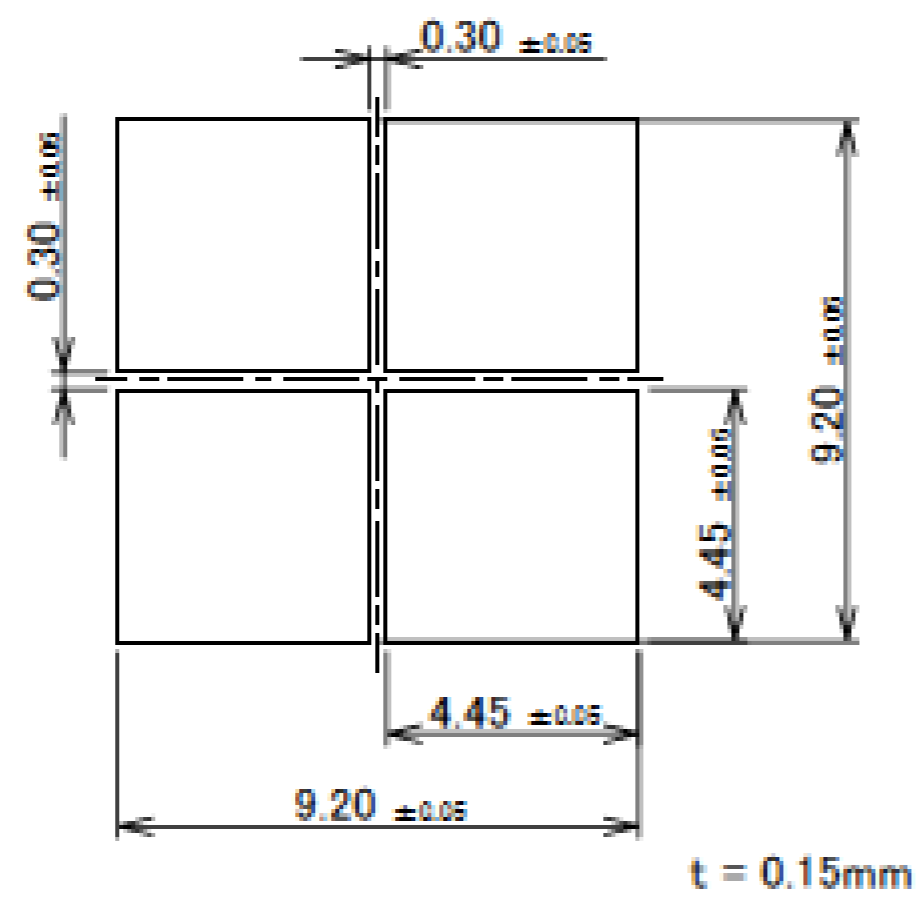
NOTES.
1. APPLICABLE CONNECTOR
AP-LT10 (P/N: 3571-0081-02T)

NO.	DESCRIPTION	MATERIAL	FINISH , REMARKS
1	TERMINAL	ALUMINUM	【CONTACT AREA, SMT AREA】 PLATING: Sn 1.0~5.5 μ m OVER Ni 1.0~5.5 μ m.

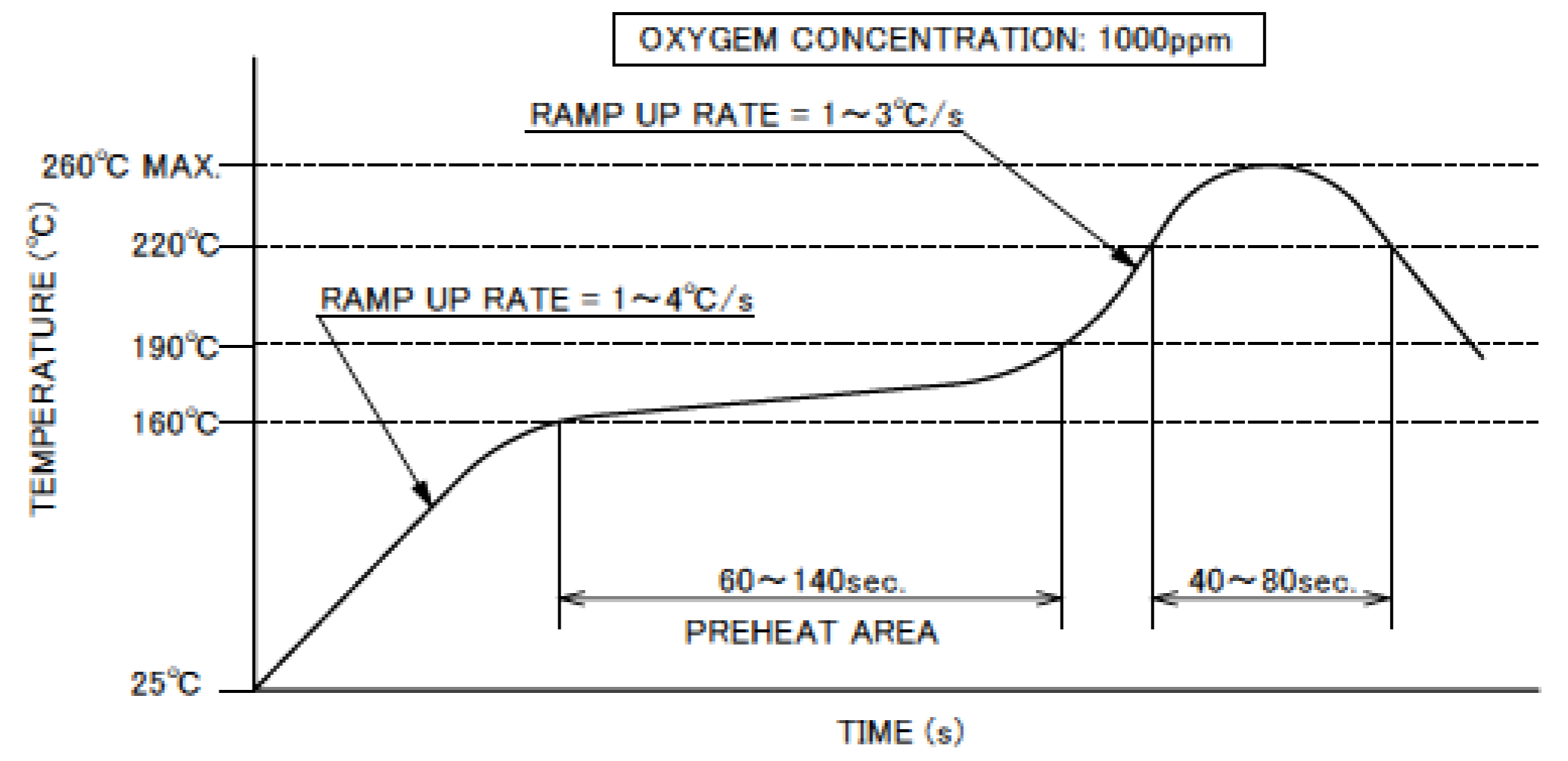
AP-TSS10



RECOMMENDED PCB LAYOUT



RECOMMENDED METAL MASK LAYOUT



REFLOW TEMPERATURE PROFILE
 ARAKAWA CHEMICAL INDUSTRY CO., LTD. : PSP-V (Sn96.5 Ag3.0 Cu0.5)

Rev.1

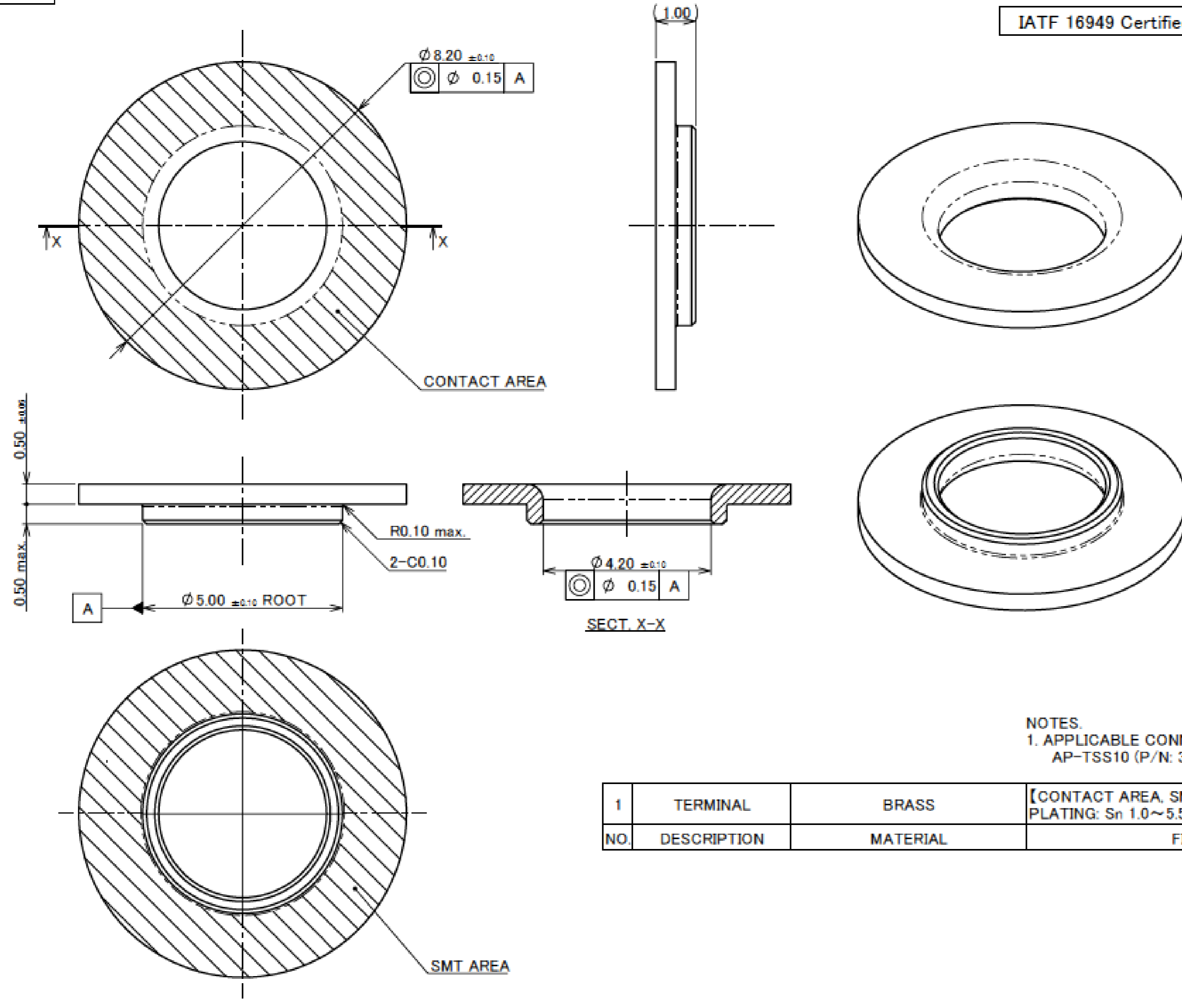
ITEMS	SPECIFICATION
RATING VOLTAGE	32A DC
OPERATING TEMPERATURE	233~398K(-40°C~+125°C)
OPERATING HUMIDITY	85% MAX.(NON-CONDENSING)
CONTACT RESISTANCE	INITIAL : 1.0mohm MAX. / AFTER TEST : 1.0mohm MAX.
SCREW TIGHTENING TORQUE	0.75~0.93 Nm(REFERENCE)
PRODUCT SPECIFICATION	PRS-2845
TEST REPORT	TR-23036
PACKING STANDARD	PST-23063
APPEARANCE CRITERIA No.	QLS-A***

Rev.1

AP-LT10

Recommended P/N	3571-0081-02T
PART No.	
3571-0081-02T	

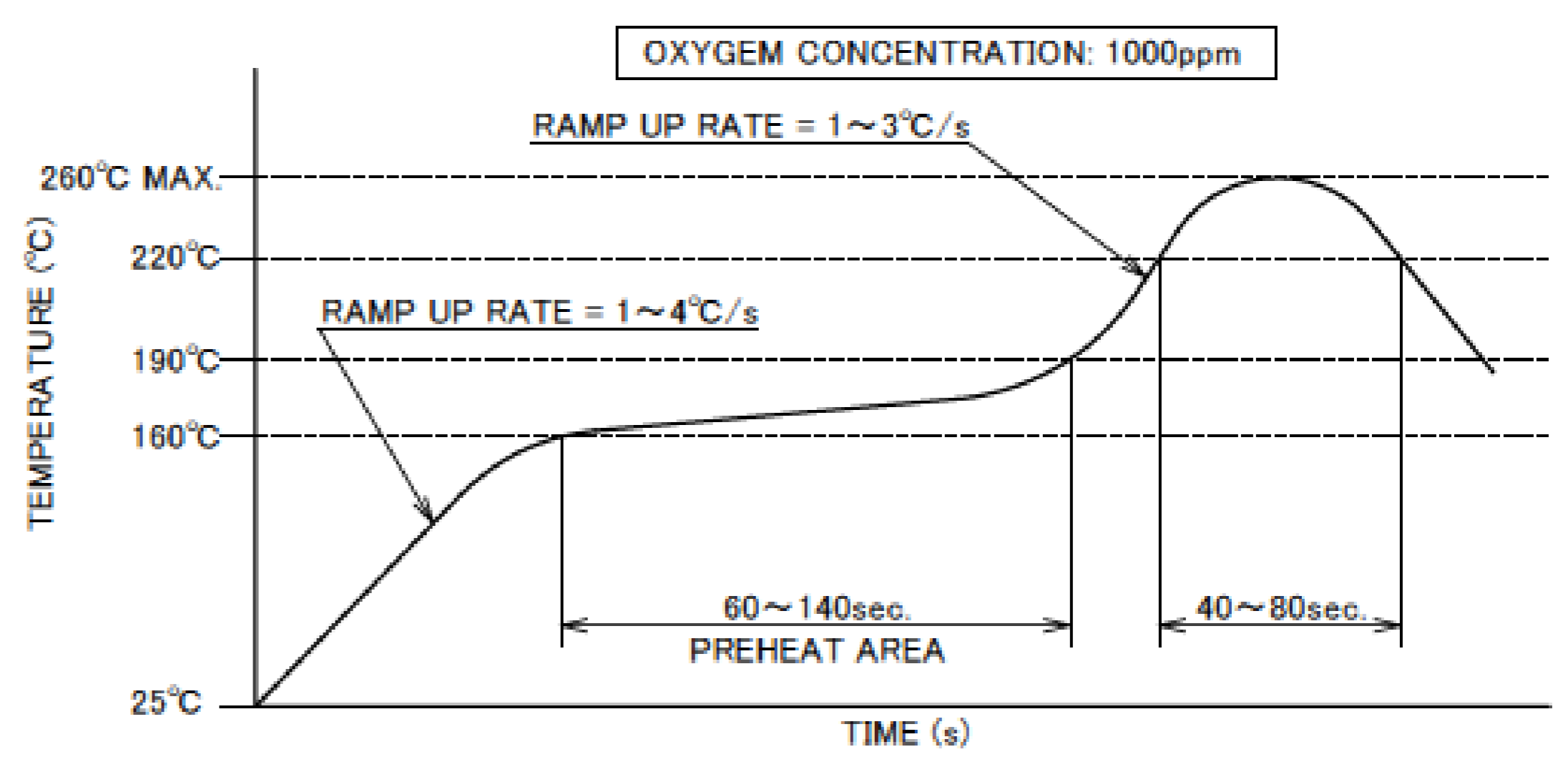
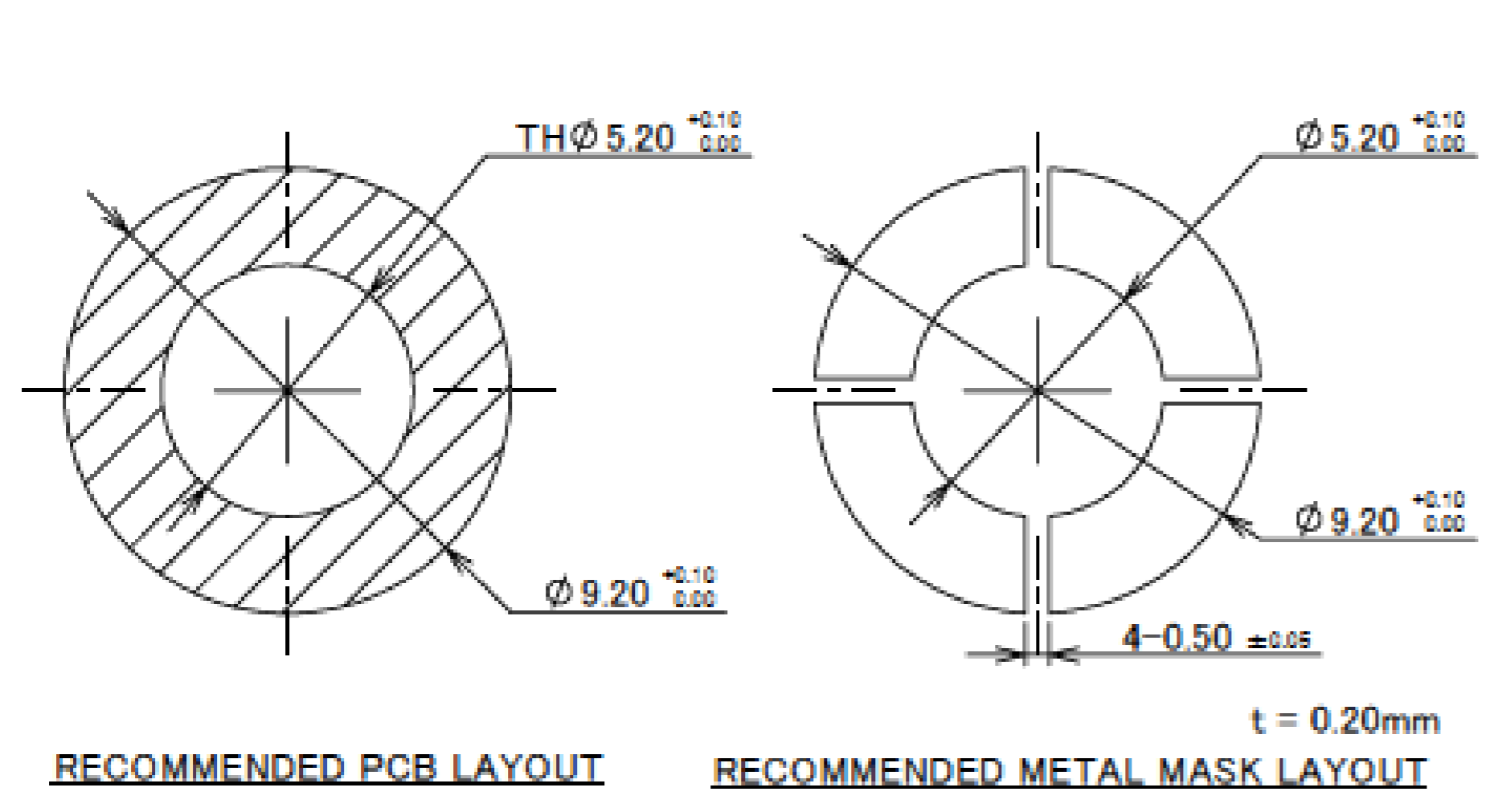
IATF 16949 Certified



NOTES.
1. APPLICABLE CONNECTOR
AP-TSS10 (P/N: 3782-0001)

NO.	DESCRIPTION	MATERIAL	FINISH, REMARKS
1	TERMINAL	BRASS	【CONTACT AREA, SMT AREA】 PLATING: Sn 1.0~5.5 μ m OVER Ni 1.0~5.5 μ m

Rev.0



REFLOW TEMPERATURE PROFILE
ARAKAWA CHEMICAL INDUSTRY CO., LTD. : PSP-V (Sn96.5 Ag3.0 Cu0.5)

Rev.0

AP-LT10

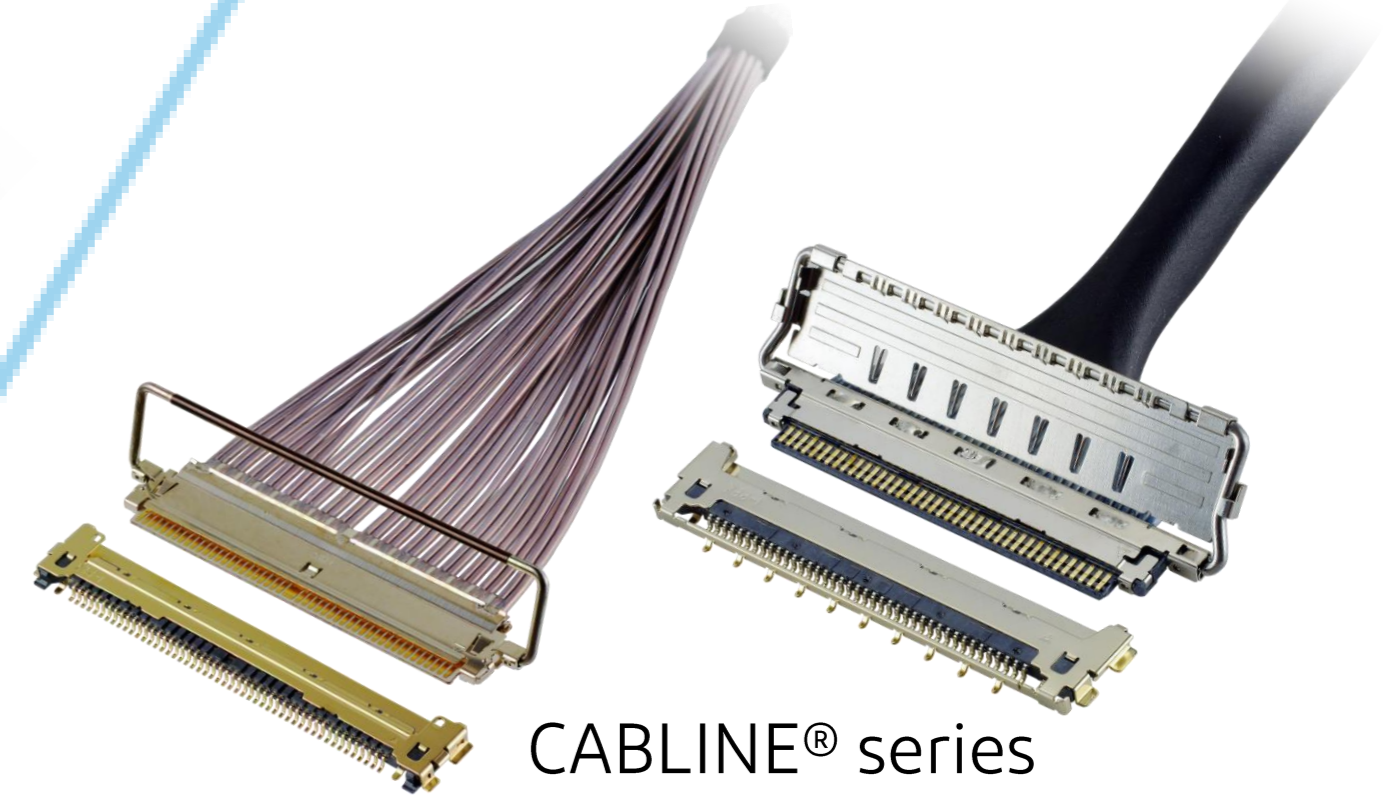
ITEMS	SPECIFICATION
RATING VOLTAGE	32A DC
OPERATING TEMPERATURE	233~398K(-40°C~+125°C)
OPERATING HUMIDITY	85% MAX.(NON-CONDENSING)
CONTACT RESISTANCE	INITIAL : 1.0mohm MAX. / AFTER TEST : 1.0mohm MAX.
SCREW TIGHTENING TORQUE	0.75~0.93 Nm(REFERENCE)
PRODUCT SPECIFICATION	PRS-2845
TEST REPORT	TR-23036
PACKING STANDARD	PST-23064
APPEARANCE CRITERIA No.	QLS-A***

Rev.0

Custom Connectors Available

RF Connectors

MHF® series



Micro-coaxial/Twinax Connectors



Wire-to-Board Connectors/Terminals

AP series

ISH® series



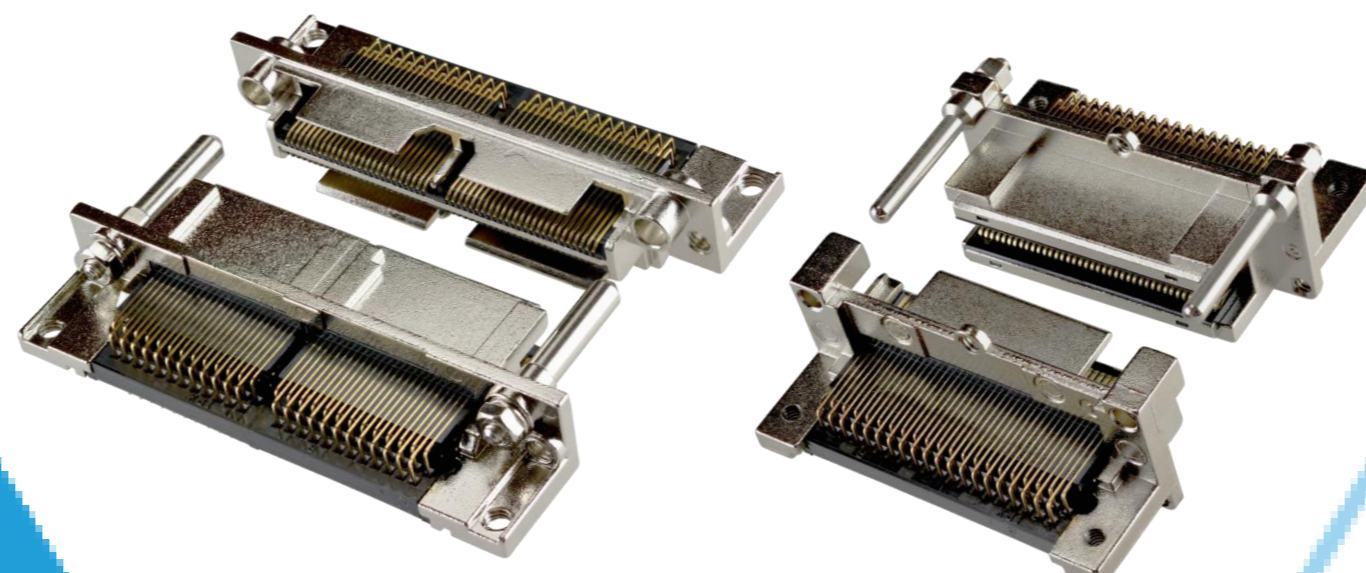
NOVASTACK® series



Board-to-Board Connectors



I/O Connectors



MINIDOCK™ series

MINIFLEX® series EVAFLEX® series



FPC/FFC Connectors



Inquiry



I-PEX, MHF, CABLINE, NOVASTACK, ISH, IARPB, MINIFLEX, EVAFLEX, MINIDOCK and ZenShield are registered trademarks of I-PEX Inc. Please note that the contents in the catalog might be changed without prior notification. I-PEX Inc. assumes no responsibility for any inaccuracies or obligation to update information on these documents. Please be sure to read and understand the latest "Precautions for Use" and "Instruction Manual" before you use our products. We shall not be responsible for any defects, damages or troubles in case you use our products without following the precautions for use. Please feel free to contact our sales representatives when you use our products for any applications that require very high reliability and safety, or that relate to human life (ex. nuclear power control, aerospace, transportation, medical equipment, safety equipment etc.).

Contact your sales representative or more detailed information.

www.i-pex.com



I-PEX

© I-PEX Inc. 2025
All rights reserved