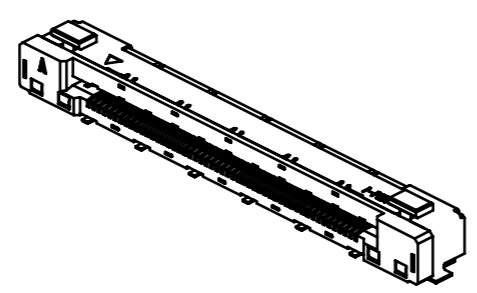
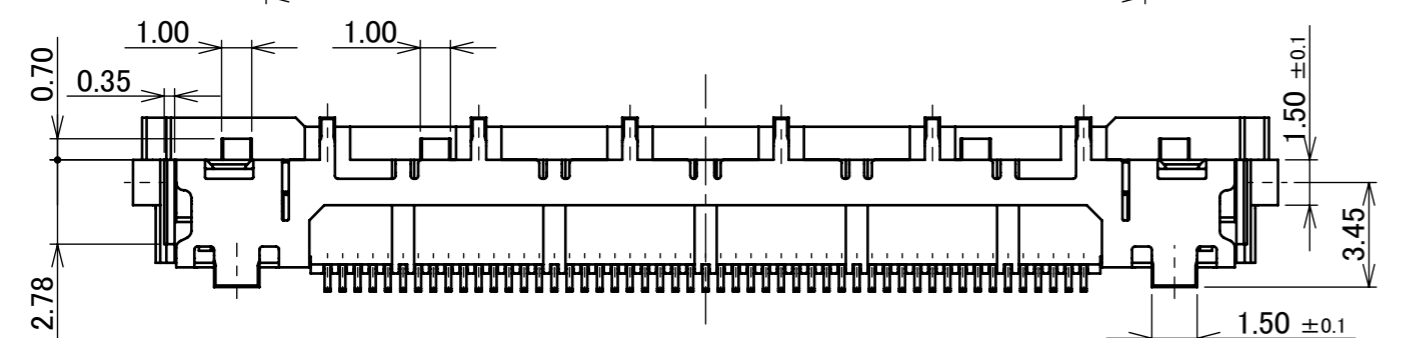
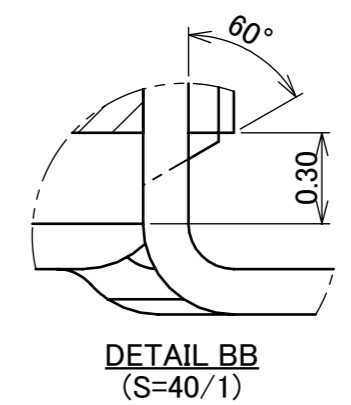
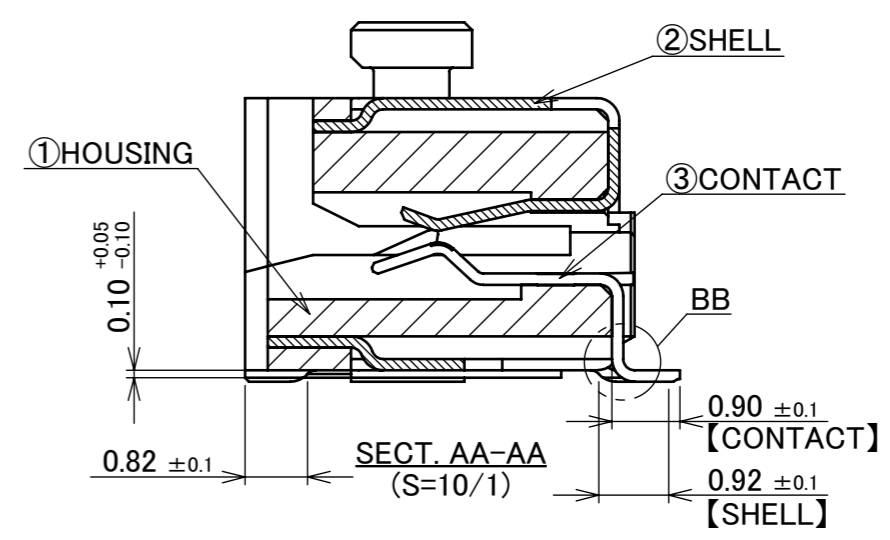
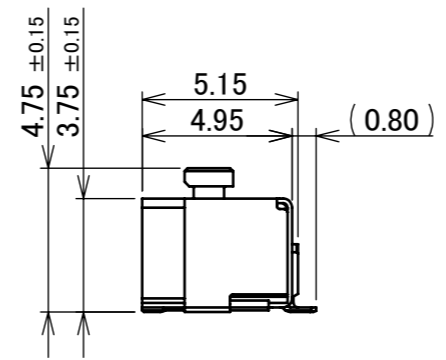
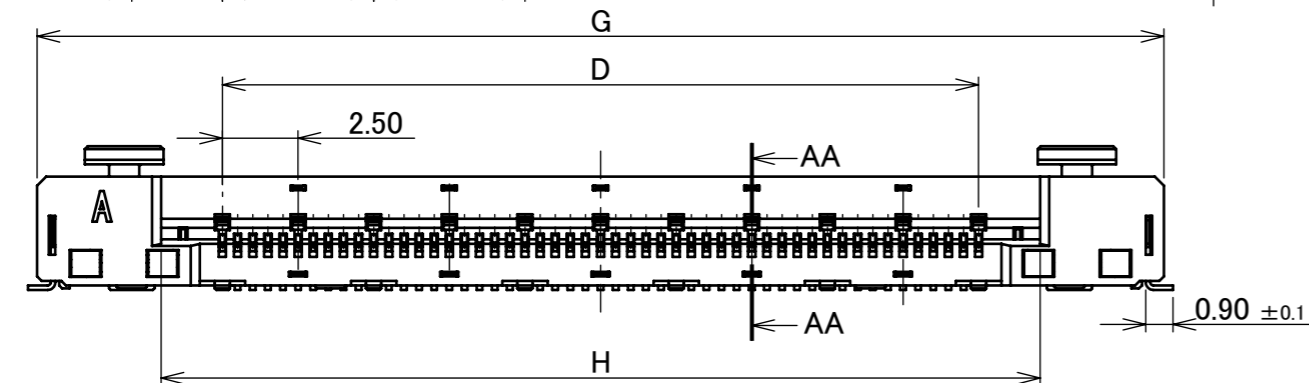
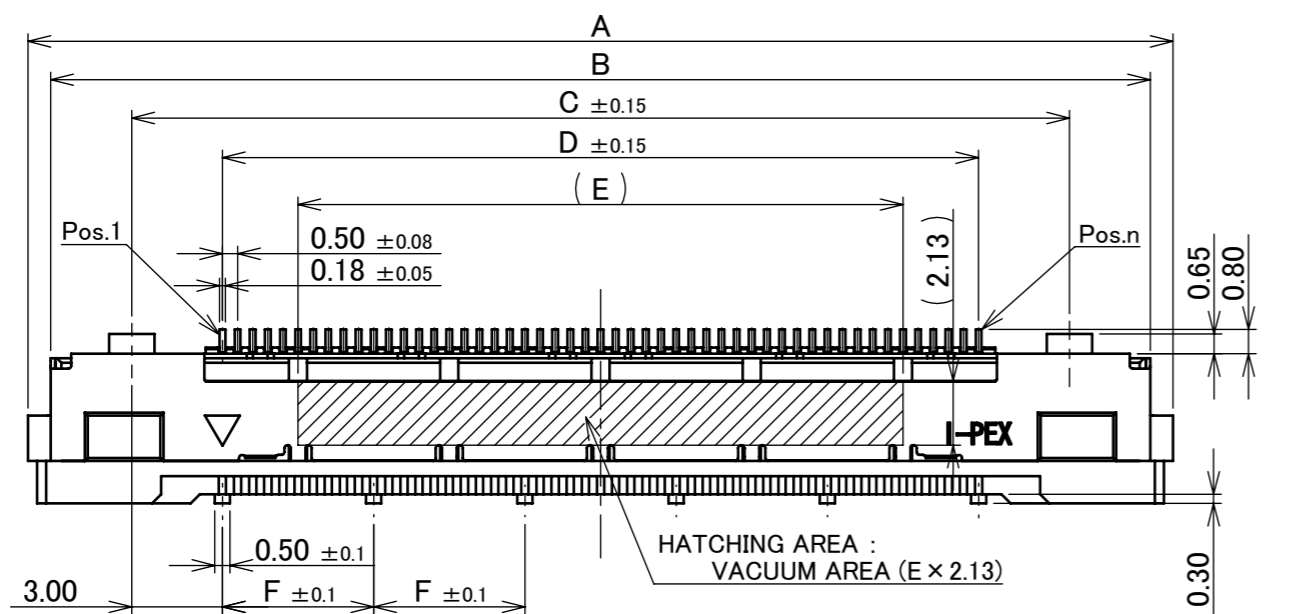
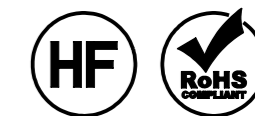


Recommended P/N 20818-0**E

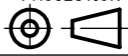

PART NO.	Pos.	A	B	C	D	E	F	G	H
20818-041E	41P	32.85	31.35	26.00	20.00	15.00	4.00	32.25	24.06
20818-051E	51P	37.85	36.35	31.00	25.00	20.00	5.00	37.25	29.06



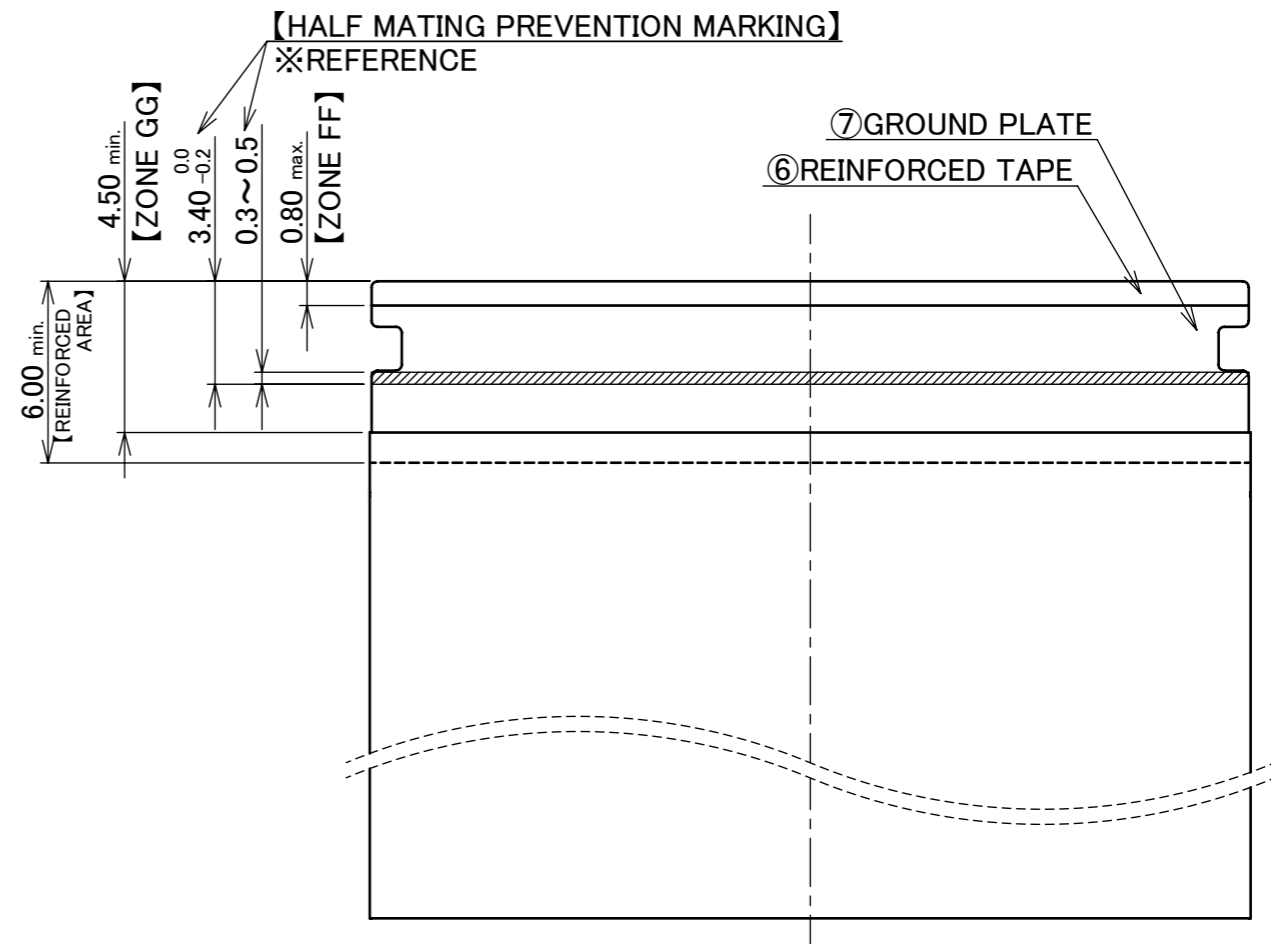
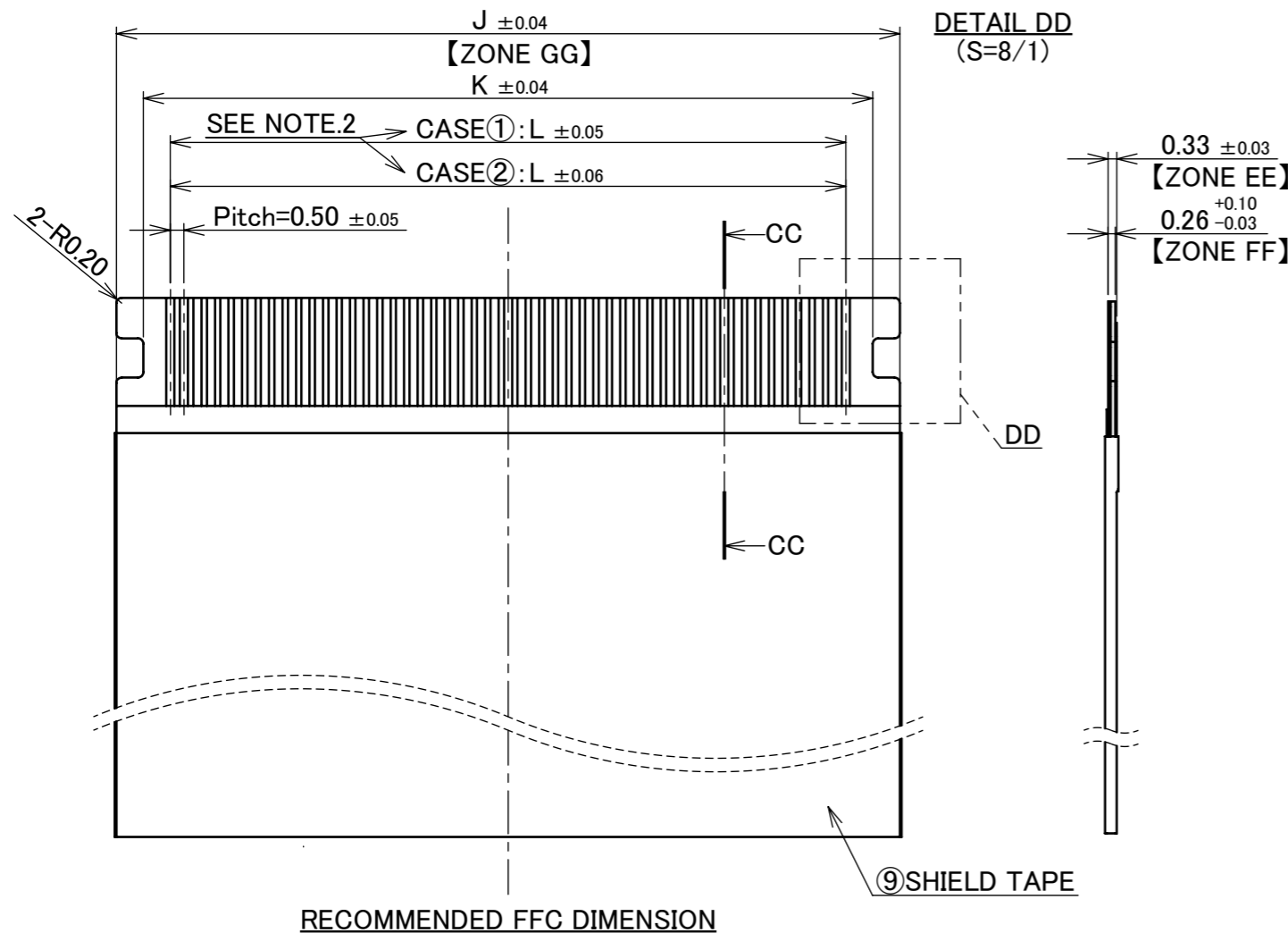
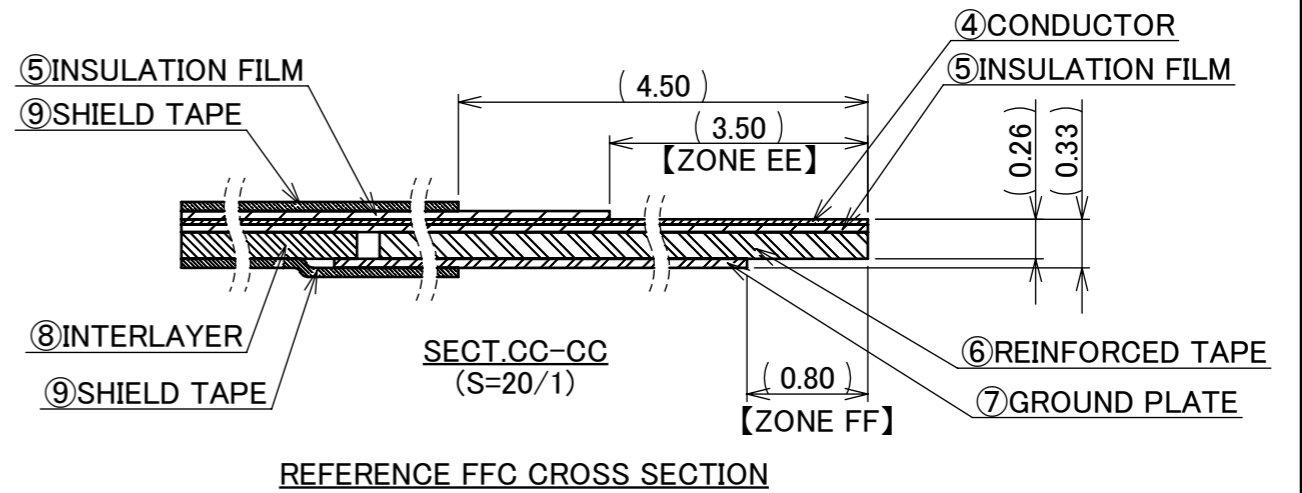
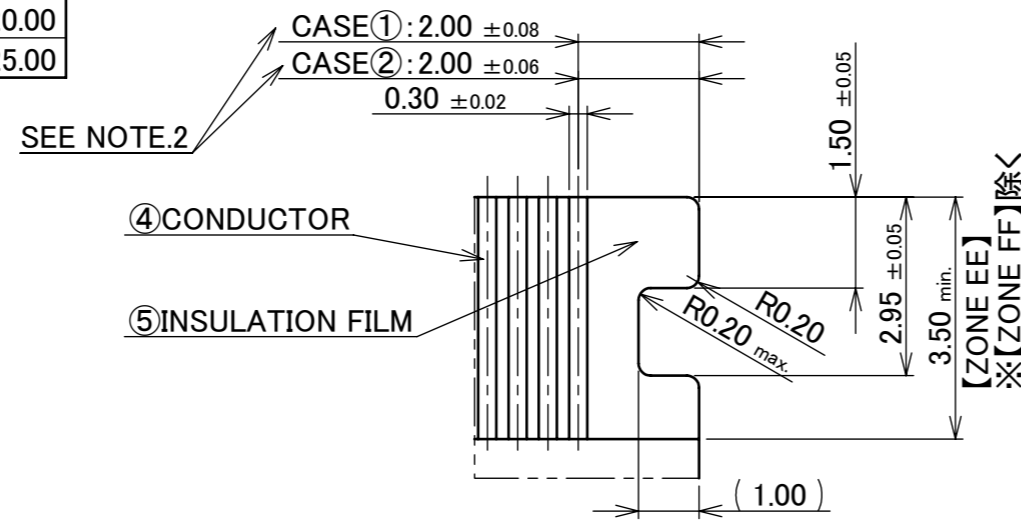
NO.	DISCRIPTION	MATERIAL	FINISH , REMARKS
3	CONTACT	PHOSPHOR BRONZE	Au 0.03 μ mMIN. OVER Ni 1.00 μ mMIN.
2	SHELL	PHOSPHOR BRONZE	Sn 1.00 μ mMIN. OVER Ni 1.00 μ mMIN.
1	HOUSING	LCP	UL94V-0, BLACK

REV.	ECN	BY	DATE	APP.	ANGLE	PROJECTION	SERIES No.	TITLE	SCALE
0	Z200923	S.Sh	Sept./04/'20		±2° 6 OVER 30 MAX. ±0.3 6 MAX. ±0.2 30 OVER 120 MAX. ±0.5	⊕	R0	EVAFLEX® 5	5:1
REVISION RECORD					GENERAL TOLERANCE.	DWG. No. 20818		I-PEX	
					DWG. S.Shigekoshi	DATE 2020/09/04		mm	
					CHK. M.Muro			SHEET 1/5	
					APP. Y.Shimada			REV. 0	

ITEMS	SPECIFICATION
RATING VOLTAGE	200V AC/DC (PER A CONTACT)
RATING AMPERAGE	0.3A AC/DC (PER A CONTACT)
OPERATING TEMPERATURE	233~358K(-40°C~+85°C)
OPERATING HUMIDITY	85% MAX.(NON-CONDENSING)
CONTACT RESISTANCE	INITIAL : 60mohm MAX. / AFTER TEST : \triangle 40mohm MAX.
INSULATION RESISTANCE	100Mohm MIN.
DIELECTRIC WITHSTANDING VOLTAGE	AC250V 1min
DURABILITY	30 CYCLES
MATING FORCE (INITIAL / 30 CYCLES)	41P : 29.2N MAX. / 51P : 30.0N MAX.
UNMATING FORCE (INITIAL / 30 CYCLES)	41P : 4.25N MIN. / 51P : 5.00N MIN.
FFC RETENTION FORCE	41P : 22N MIN./ 51P : 25N MIN.
COPLANARITY	0.10mm MAX.
PRODUCT SPECIFICATION	PRS-2671
TEST REPORT	TR-20035
PACKING STANDARD	300-980
INSTRUCTION MANUAL	HIM-12001
APPEARANCE CRITERIA No.	QLS-A***

ANGLE	$\pm 2^\circ$	6 OVER 30 MAX.	± 0.3	PROJECTION 	SERIES No. R0	CUSTOMER COPY		
6 MAX.	± 0.2	30 OVER 120 MAX.	± 0.5					
GENERAL TOLERANCE.				TITLE EVAFLEX [®] 5	SCALE 	I-PEX		
DWG.	DATE							
CHK.								
APP.								
				DWG. No.	20818	SIZE A3	SHEET 2/5	REV. 0

PART NO.	Pos.	J	K	L
20818-041E	41P	24.00	22.00	20.00
20818-051E	51P	29.00	27.00	25.00



NOTES
 1. DIFFERENTIAL IMPEDANCE : $100 \pm 10 \Omega$
 2. MANUFACTURE CASE ① or CASE ②

NO.	DISCRIPTION	MATERIAL	FINISH , REMARKS
9	SHIELD TAPE	METALIC FILM	
8	INTERLAYER	ARBITRARY	
7	GROUND PLATE	METALIC FILM	POLISH or HALF POLISH Sn PLATING
6	REINFORCED TAPE	ARBITRARY	
5	INSULATION FILM	ARBITRARY	
4	CONDUCTOR	COPPER ALLOY	CONTACT AREA: Au $0.05 \mu m$ MIN. OVER Ni $0.5 \mu m$ MIN.

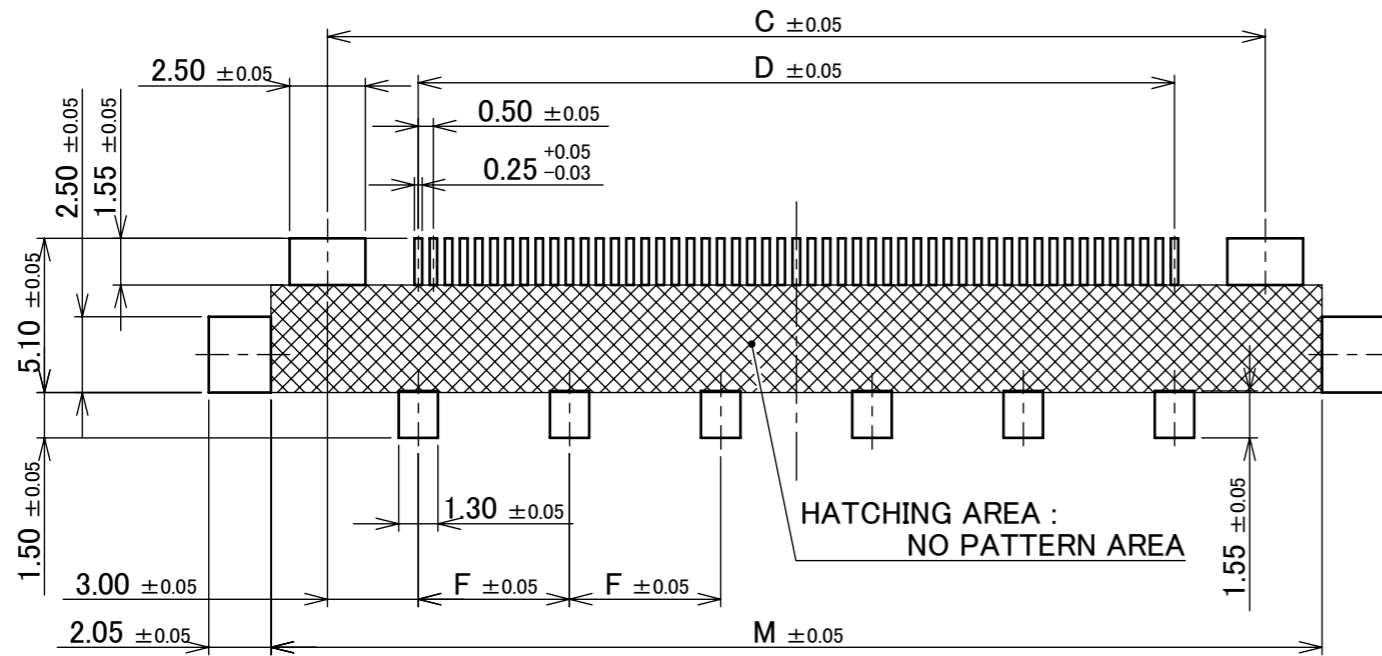
ANGLE	$\pm 2^\circ$	6 OVER 30 MAX.	± 0.3	PROJECTION	SERIES No.	CUSTOMER COPY		
6 MAX.	± 0.2	30 OVER 120 MAX.	± 0.5		R0			
GENERAL TOLERANCE.				TITLE	EVAFLEX® 5			
DWG.	DATE					SCALE	4:1	
CHK.						UNIT	mm	
APP.				DWG. No.	20818	SIZE	SHEET	REV.
						A3	3/5	0

Confidential C

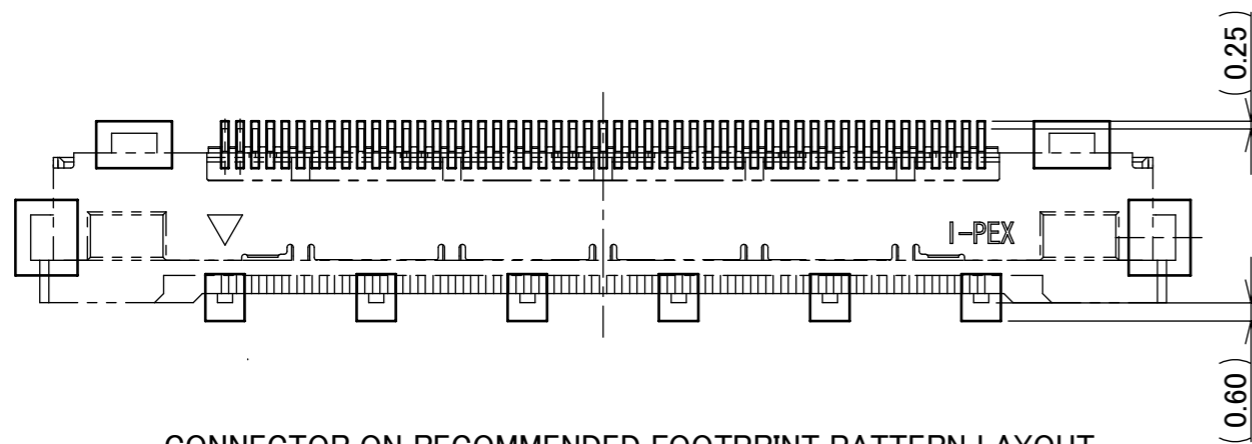
I-PEX Inc.

QKE-DFE06-02 REV.12

PART NO.	Pos.	C	D	F	M
20818-041E	41P	26.00	20.00	4.00	29.75
20818-051E	51P	31.00	25.00	5.00	34.75



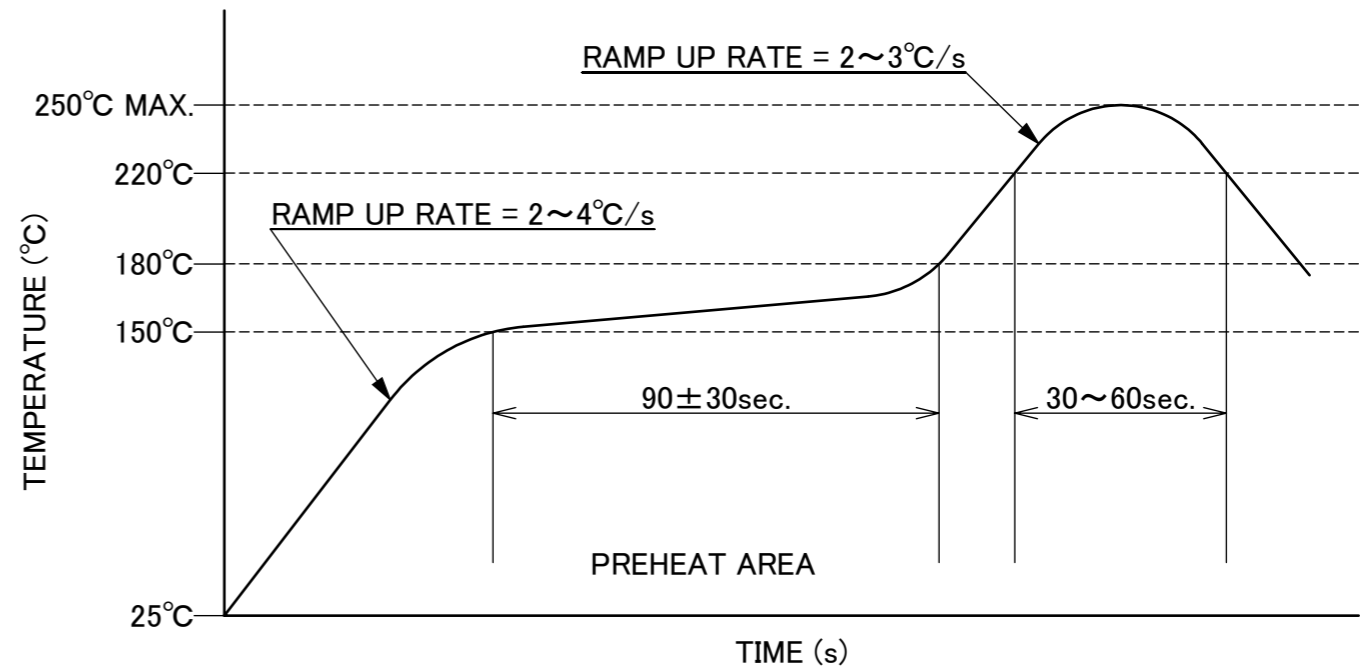
RECOMMENDED PCB LAYOUT & METAL MASK LAYOUT
METAL MASK THICKNESS : t=0.12mm



CONNECTOR ON RECOMMENDED FOOTPRINT PATTERN LAYOUT

NOTES.

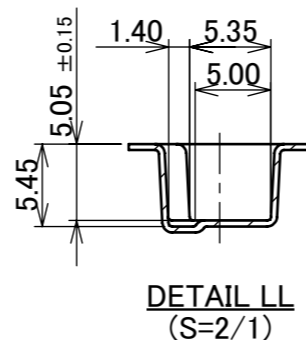
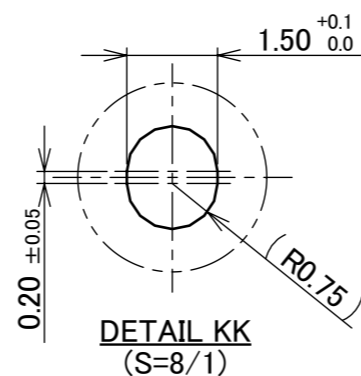
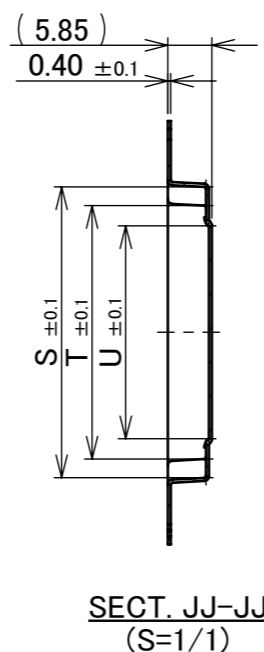
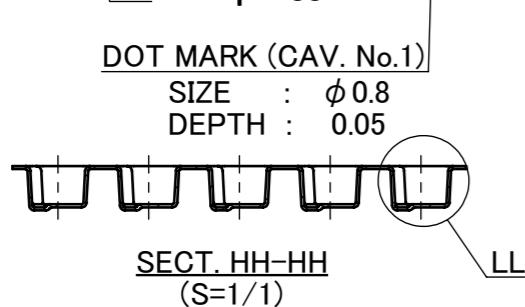
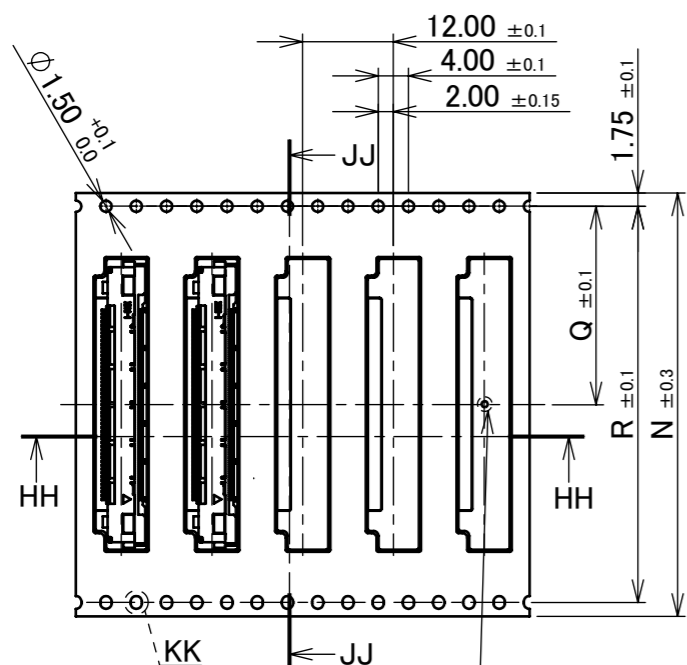
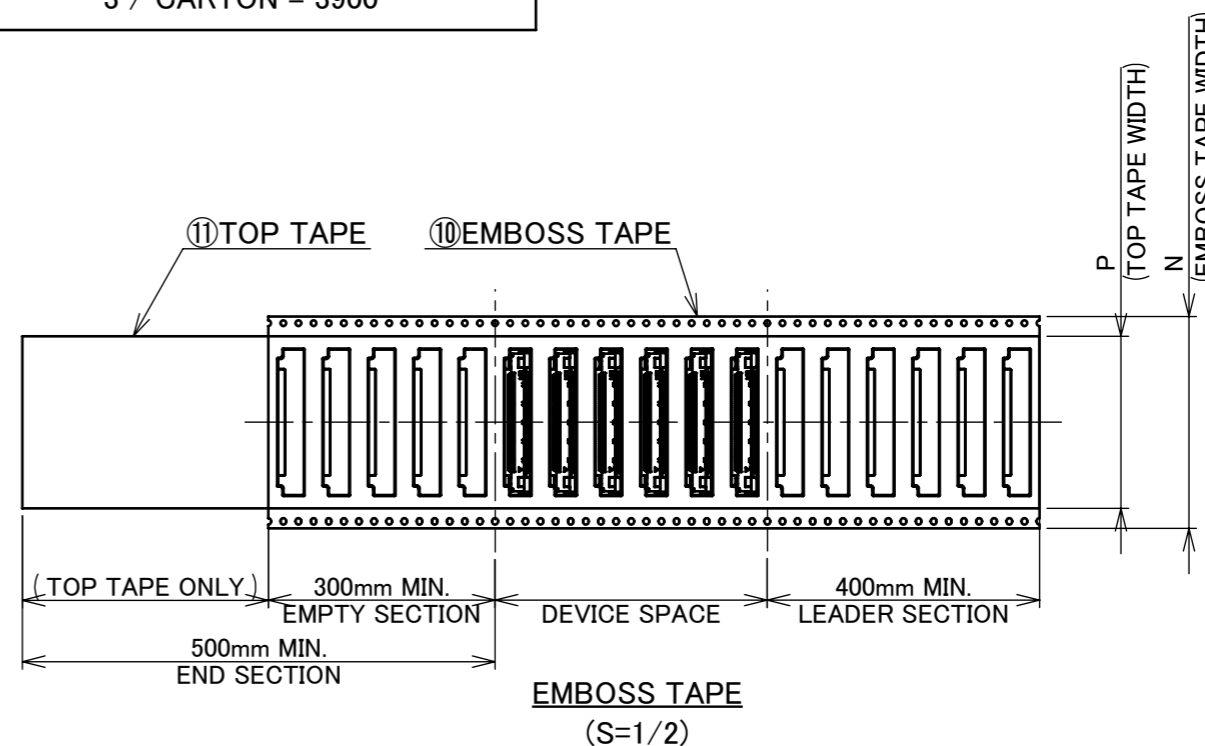
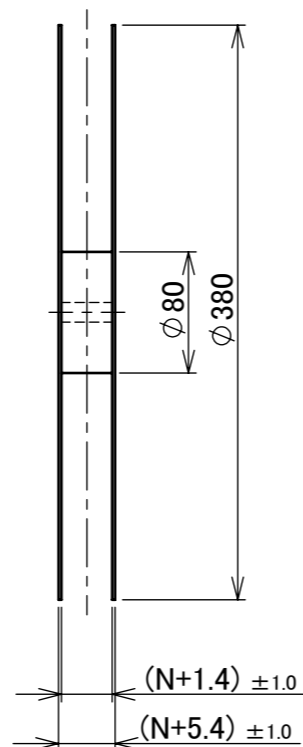
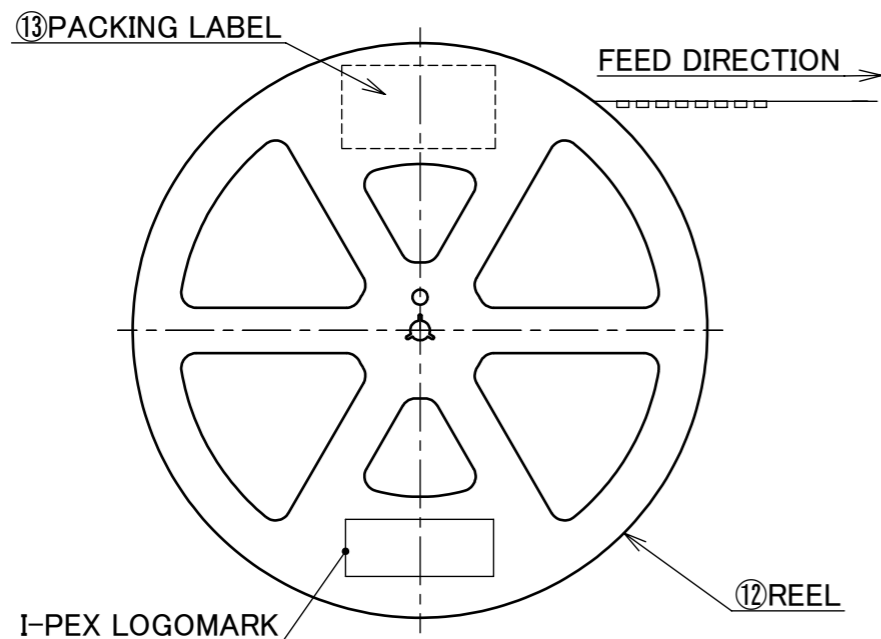
3. THIS AREA CANNOT MOUNT ANOTHER COMPONENTS.
4. SOLDER RESIST SHALL BE APPLIED TO PREVENT SHORT CIRCUITS WHEN PLACING SIGNAL LINES ON GROUND AREA.



REFLOW TEMPERATURE PROFILE
SENJU METAL INDUSTRY CO., LTD. : M705-SHF(Sn96.5 Ag3.0 Cu0.5)

ANGLE	±2°	6 OVER 30 MAX.	±0.3	PROJECTION ⊕	SERIES No. R0	CUSTOMER COPY			
6 MAX.	±0.2	30 OVER 120 MAX.	±0.5						
GENERAL TOLERANCE.				TITLE		SCALE	I-PEX		
DWG.	DATE			EVAFLEX® 5		5:1			
CHK.						UNIT			
APP.				DWG. No. 20818		mm			
						SIZE	SHEET	REV.	
						A3	4/5	0	

DEVICE P/N	N	P	Q	R	S	T	U	QTY. PER EMOSS REEL (PIECES / REEL)	QTY. PER PACKING CARTON (REELS / CARTON)
20818-041E	44.00	37.60	20.20	40.40	33.45	28.50	23.10	1300 / REEL	3 / CARTON = 3900
20818-051E	56.00	49.60	26.20	52.40	38.45	33.50	28.10		



- NOTES.
5. TAPING SPECIFICATION FOLLOWS JIS C 0806 (IEC 60286-3).
6. MAKE EMPTY SECTION OF LEADER AND END ON EACH END OF THE TAPE.
7. TOP TAPE SHALL NOT STICK OUT FROM EMOSS TAPE.
8. TOP TAPE SHALL NOT COVER FEED HOLE.

NO.	DISCRIPTION	MATERIAL	FINISH , REMARKS
13	PACKING LABEL	-	-
12	REEL	PS	BLACK
11	TOP TAPE	PET t=0.061 TRANSPARENCY	ADHESIVE TYPE
10	EMOSS TAPE	PS t=0.4 TRANSPARENCY	-

ANGLE	±2°	6 OVER 30 MAX.	±0.3	PROJECTION	SERIES No.	CUSTOMER COPY			
6 MAX.	±0.2	30 OVER 120 MAX.	±0.5		R0	SCALE	I-PEX		
GENERAL TOLERANCE.						TITLE			
DWG.	DATE			EVAFLEX® 5		UNIT	I-PEX		
CHK.						mm			
APP.				DWG. No. 20818		SIZE	SHEET	REV.	
						A3	5/5	0	