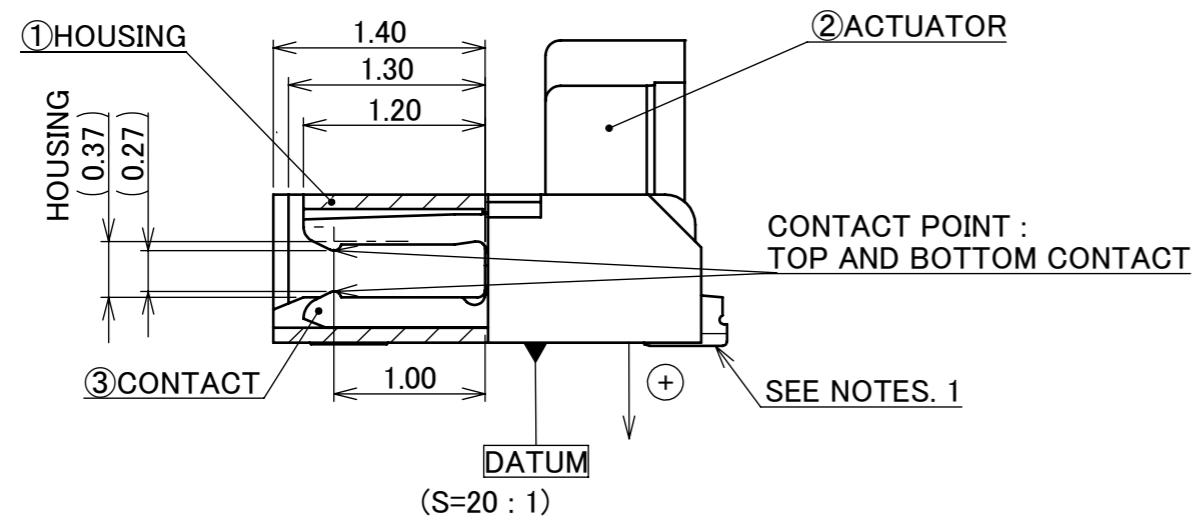
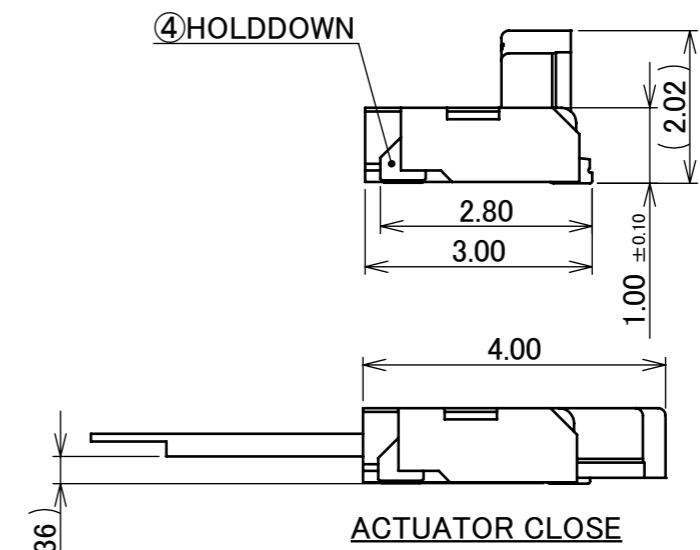


| PART No. | POS. | A | B | C | D | E | F |
|----------------|------|-------|-------|-------|-------|-------|-------|
| 20586-032E-01 | 32 | 15.50 | 17.70 | 16.80 | 16.56 | 17.15 | 10.80 |
| 20586-034E-01 | 34 | 16.50 | 18.70 | 17.80 | 17.56 | 18.15 | 11.80 |
| ◆20586-036E-01 | 36 | 17.50 | 19.70 | 18.80 | 18.56 | 19.15 | 8.80 |
| 20586-040E-01 | 40 | 19.50 | 21.70 | 20.80 | 20.56 | 21.15 | 10.80 |
| ◆20586-044E-01 | 44 | 21.50 | 23.70 | 22.80 | 22.56 | 23.15 | 12.80 |
| ◆20586-048E-01 | 48 | 23.50 | 25.70 | 24.80 | 24.56 | 25.15 | 9.80 |
| 20586-050E-01 | 50 | 24.50 | 26.70 | 25.80 | 25.56 | 26.15 | 10.80 |
| 20586-054E-01 | 54 | 26.50 | 28.70 | 27.80 | 27.56 | 28.15 | 12.80 |
| ◆20586-060E-01 | 60 | 29.50 | 31.70 | 30.80 | 30.56 | 31.15 | 15.80 |

CAUTION VISIT OUR WEBSITE FOR LATEST VERSIONS OF INSTRUCTION MANUAL NO. HIM-12019 TO HANDLE THE PRODUCT PROPERLY AND SAFELY.



| NO. | DISCRIPTION | MATERIAL | FINISH, REMARKS |
|-----|-------------|-----------------|---|
| 4 | HOLD DOWN | PHOSPHOR BRONZE | Sn 2~6 μm MIN.OVER Ni 1.00 μm MIN. |
| 3 | CONTACT | PHOSPHOR BRONZE | CONTACT AREA : Au 0.1 μm MIN. OVER Ni 1.0 μm MIN. SOLDERING AREA : Au 0.03 μm MIN. OVER Ni 1.0 μm MIN. |
| 2 | ACTUATOR | LCP | UL94V-0, BEIGE |
| 1 | HOUSING | LCP | UL94V-0, BEIGE |

| REV. | ECN | BY | DATE | APP. | APP. | CHK. | DATE | APP. | PROJECTION | SERIES No. | TITLE | SCALE | UNIT | SHEET | REV. |
|-----------------|---------|------|--------------|------|--------------------|--------|------------------|------|------------|------------|----------------------|-------|------|-------|------|
| 9 | Z240574 | S.Sh | May/14/'24 | H.I | ANGLE | ±2° | 6 OVER 30 MAX. | ±0.3 | ⊕ | R2 | MINIFLEX® 5-BFN II L | 10:1 | mm | 1/5 | 9 |
| 8 | Z221295 | S.Sh | Nov./21/'22 | H.I | 6 MAX. | ±0.2 | 30 OVER 120 MAX. | ±0.5 | | | | | | | |
| 7 | Z191264 | R.F | Sept./30/'19 | H.I | GENERAL TOLERANCE. | | | | | | | | | | |
| 6 | Z181426 | K.T | Nov./01/'18 | Y.S | DWG. | H.Aoki | | DATE | 2014/01/10 | | | | | | |
| 5 | Z181224 | K.T | Sept./25/'18 | Y.S | J.Tateishi | | | | | | | | | | |
| 4 | Z170863 | K.T | Aug./17/'17 | H.I | E.Kawabe | | | | | | | | | | |
| REVISION RECORD | | | | | | | | | | DWG. No. | 20586 | SIZE | A3 | | |

NOTES
1. CONTACT TAIL IS PROJECTION FROM HOUSING IN THE + DIRECTION. (0~0.06)

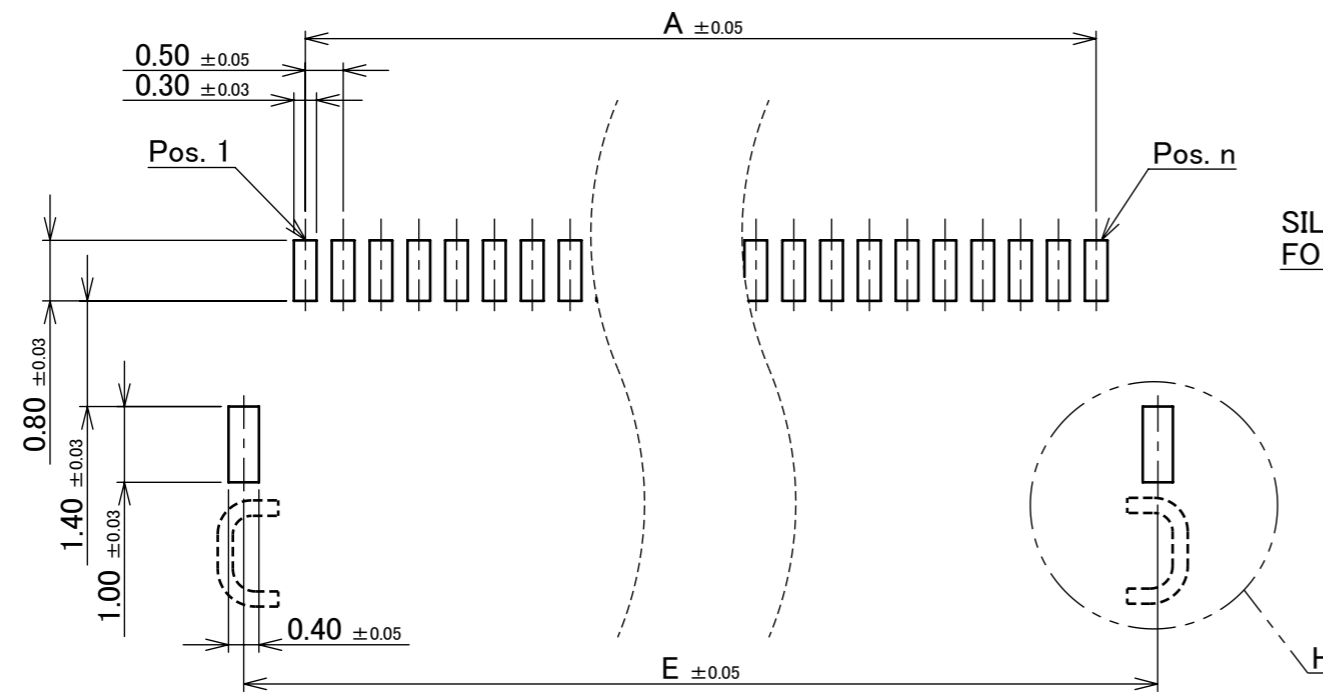
| ITEMS | SPECIFICATION |
|--|---|
| RATING VOLTAGE | 50V AC (PER CONTACT PIN) |
| RATING AMPERAGE | 0.5A DC (PER CONTACT PIN) 7.0A DC (PER CONNECTOR) |
| OPERATING TEMPERATURE | 233~398K(-40°C~125°C) |
| OPERATING HUMIDITY | 80% MAX.(NON-CONDENSING) |
| CONTACT RESISTANCE | INITIAL : 40mohm MAX. / AFTER TEST : \angle 20mohm MAX. |
| INSULATION RESISTANCE | 100Mohm MIN. |
| DIELECTRIC WITHSTANDING VOLTAGE | AC200V 1min |
| DURABILITY | 20TH CYCLES |
| ACTUATOR LOCKING FORCE (INITIAL / 20TH CYCLES) | INITIAL / 20TH CYCLES : 0.43N(44gf) \times n MAX. |
| ACTUATOR UNLOCKING FORCE (INITIAL / 20TH CYCLES) | INITIAL / 20TH CYCLES : 0.025N(2.5gf) \times n MIN. |
| FPC RETENTION FORCE (INITIAL / AFTER TEST) | INITIAL / AFTER TEST : 0.15N(15gf) \times n MIN. |
| COPLANARITY | 0.08 MAX. |
| PRODUCT SPECIFICATION | PRS-2056 |
| TEST REPORT | TR-15070 |
| PACKING STANDARD | PST-13064 |
| INSTRUCTION MANUAL | HIM-12019 |
| APPEARANCE CRITERIA No. | QLS-A*** |

※ "n" IS THE NUMBER OF PIN

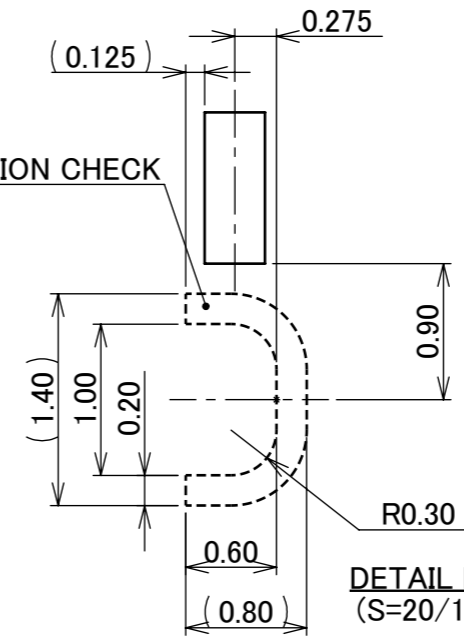
| | | | | | | | | |
|--------------------|---------------|------------------|-----------|----------------------------------|------------------|---------------|--------------|-------|
| ANGLE | $\pm 2^\circ$ | 6 OVER 30 MAX. | ± 0.3 | PROJECTION | SERIES No. R2 | CUSTOMER COPY | | |
| 6 MAX. | ± 0.2 | 30 OVER 120 MAX. | ± 0.5 | | | SCALE | I-PEX | |
| GENERAL TOLERANCE. | | | | TITLE | UNIT | SIZE | | SHEET |
| DWG. | DATE | | | MINIFLEX [®] 5-BFN II L | mm | | | |
| CHK. | | | | DWG. No. | 20586 | REV. | 9 | |
| APP. | | | | | | | | |

| PART No. | POS. | A | E | G |
|----------------|------|-------|-------|-------|
| 20586-032E-01 | 32 | 15.50 | 17.15 | 16.50 |
| 20586-034E-01 | 34 | 16.50 | 18.15 | 17.50 |
| ◆20586-036E-01 | 36 | 17.50 | 19.15 | 18.50 |
| 20586-040E-01 | 40 | 19.50 | 21.15 | 20.50 |
| ◆20586-044E-01 | 44 | 21.50 | 23.15 | 22.50 |
| ◆20586-048E-01 | 48 | 23.50 | 25.15 | 24.50 |
| 20586-050E-01 | 50 | 24.50 | 26.15 | 25.50 |
| 20586-054E-01 | 54 | 26.50 | 28.15 | 27.50 |
| ◆20586-060E-01 | 60 | 29.50 | 31.15 | 30.50 |

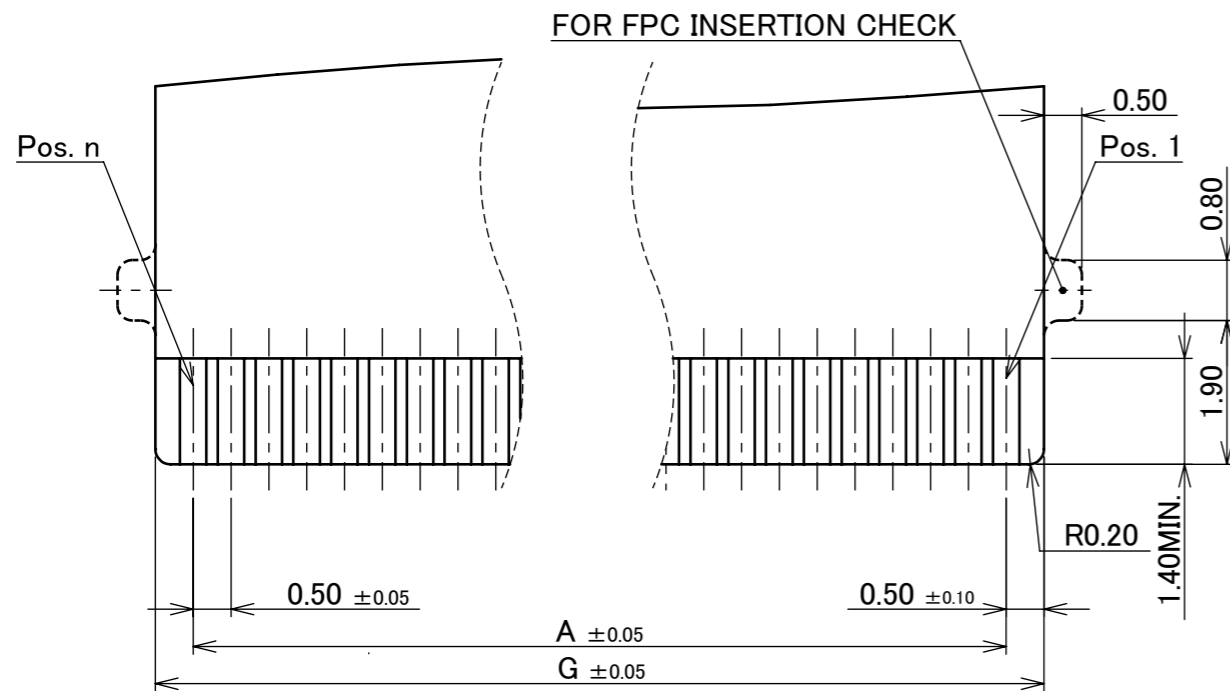
◆MARK MEANS NOT AVAILABLE



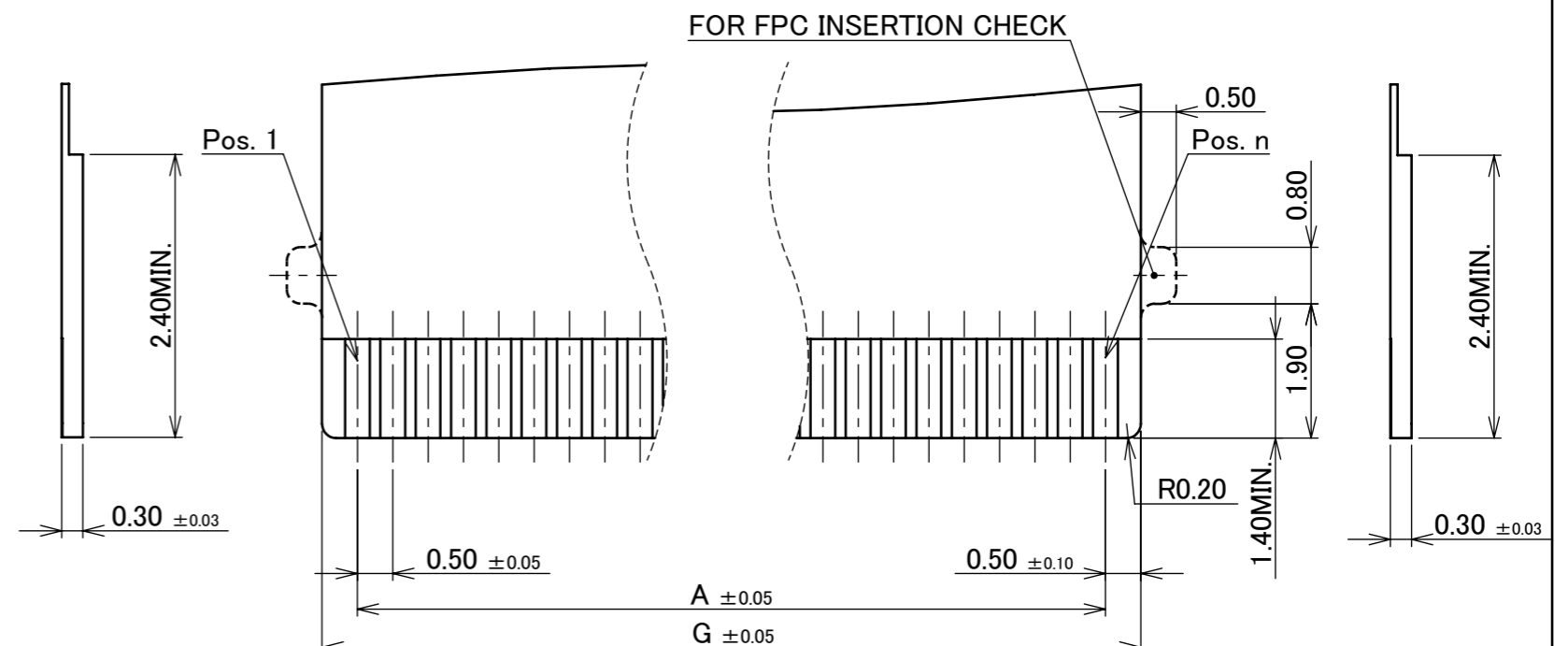
SILK PRINT FOR FPC INSERTION CHECK



RECOMMENDED PCB LAYOUT & METAL MASK LAYOUT
METAL MASK THICKNESS : t=0.12mm



RECOMMENDED FPC LAYOUT (TOP CONTACT TYPE)



RECOMMENDED FPC LAYOUT (BOTTOM CONTACT TYPE)

NOTES

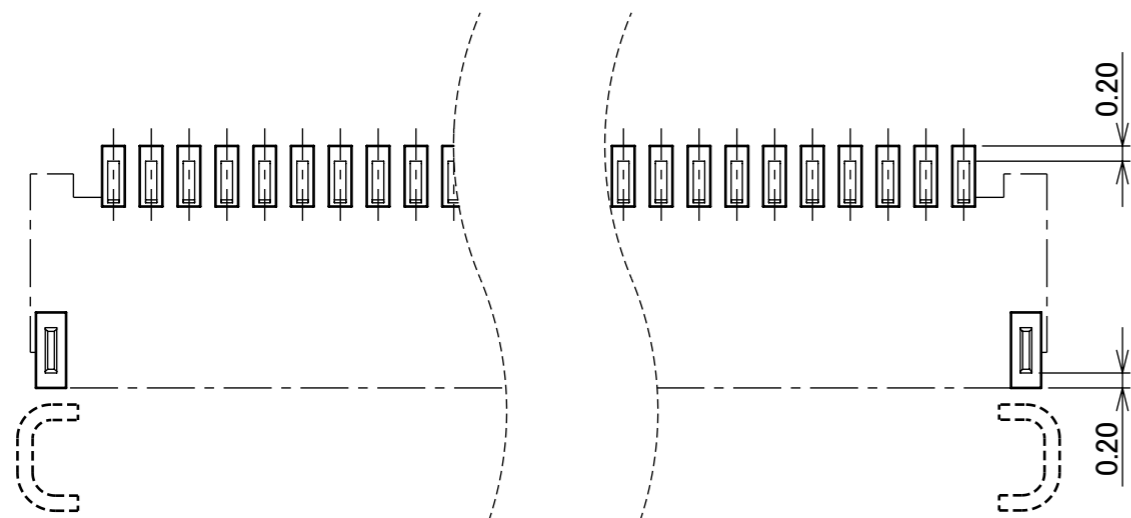
2.MATERIAL

- COVER FILM : PI
- CONDUCTOR : COPPER(RARE)
- BASE FILM : PI
- STIFFENER : PI
- ADHESIVE : THERMOSETTING ADHESIVE

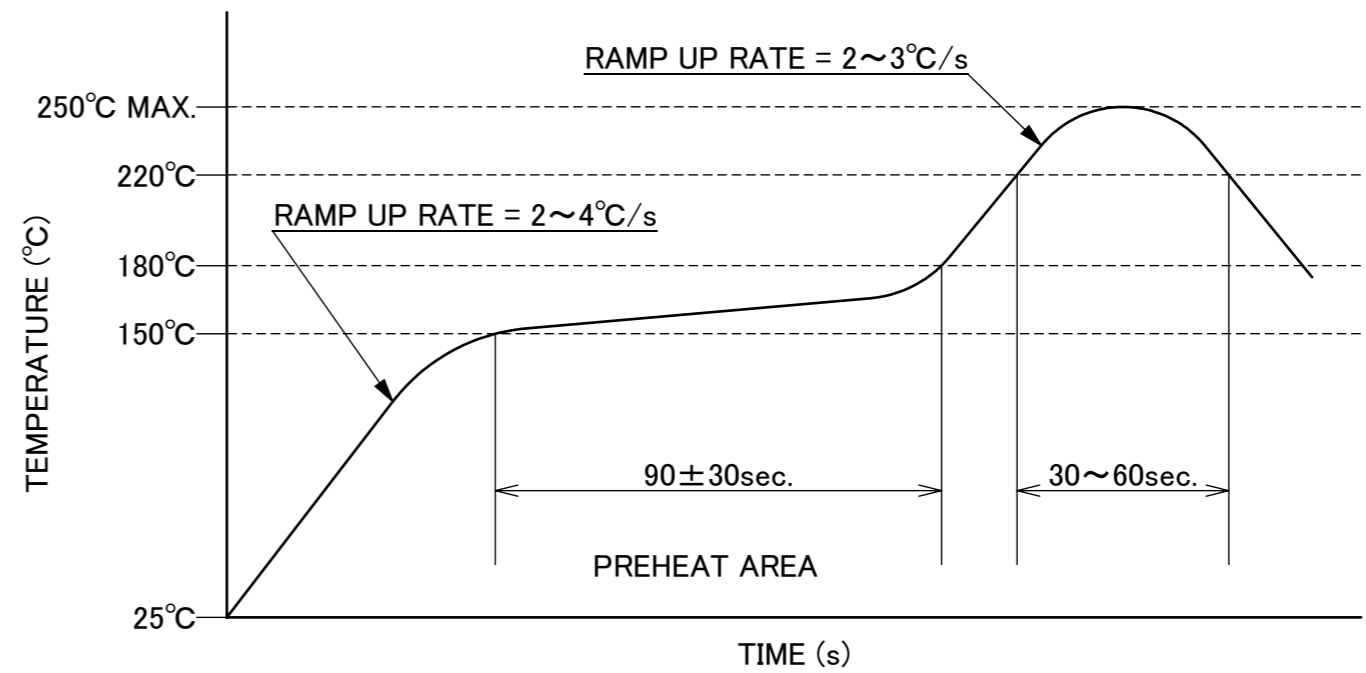
3.FINISH

- Au OVER Ni PLATING.

| | | | | | | | |
|--------------------|------|------------------|------|-------------------------------|------------------|---------------|-----------|
| ANGLE | ±2° | 6 OVER 30 MAX. | ±0.3 | PROJECTION ⊕ | SERIES No. R2 | CUSTOMER COPY | |
| 6 MAX. | ±0.2 | 30 OVER 120 MAX. | ±0.5 | | | | |
| GENERAL TOLERANCE. | | | | TITLE MINIFLEX® 5-BFN II L | | SCALE 10:1 | I-PEX |
| DWG. | DATE | | | DWG. No. 20586 | | UNIT mm | |
| CHK. | | | | | | SIZE A3 | |
| APP. | | | | | | SHEET 3/5 | REV. 9 |



CONNECTOR ON RECOMMENDED FOOTPRINT PATTERN

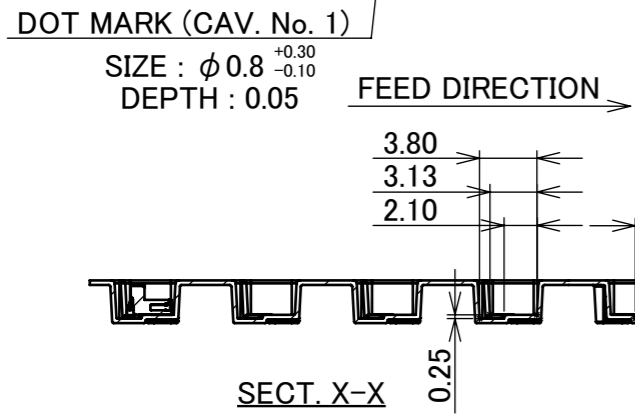
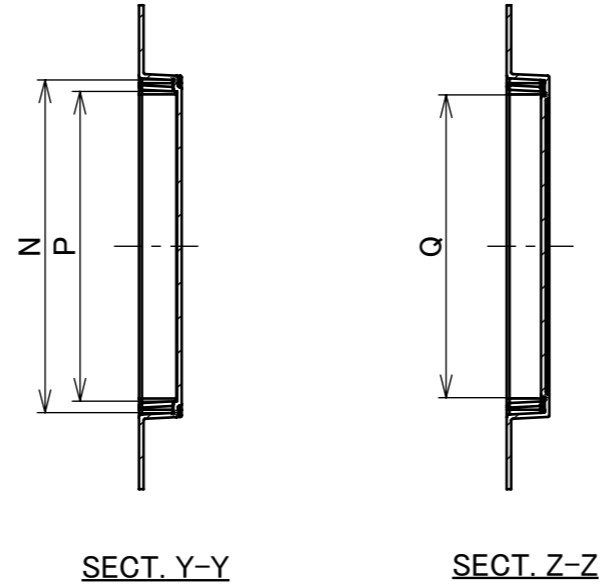
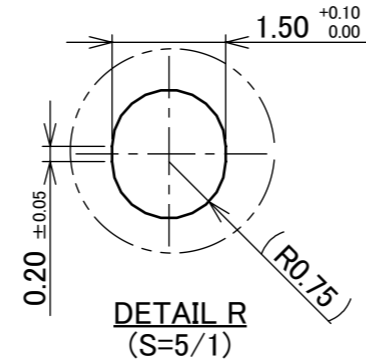
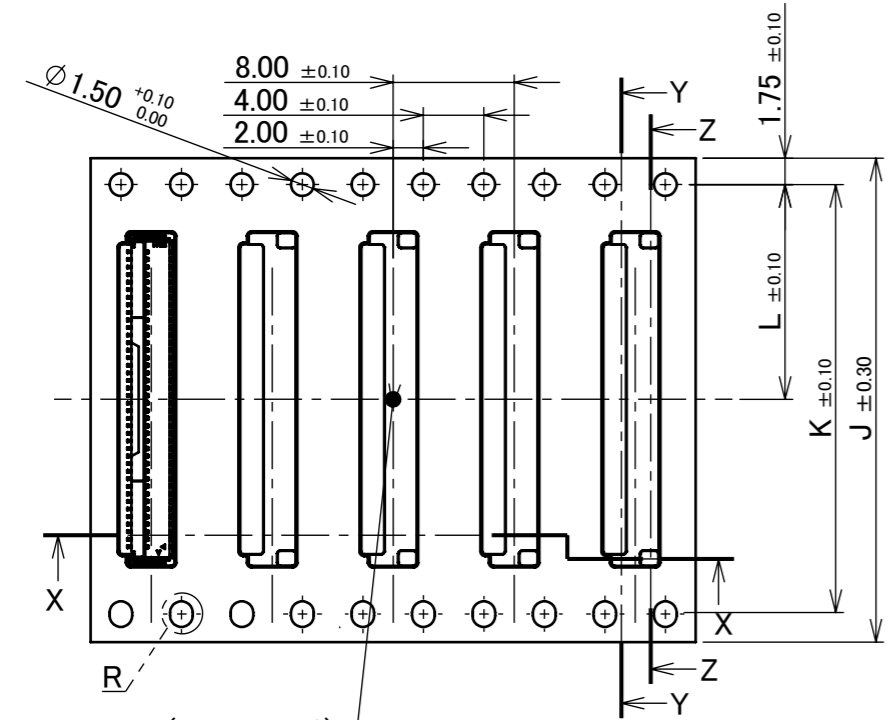
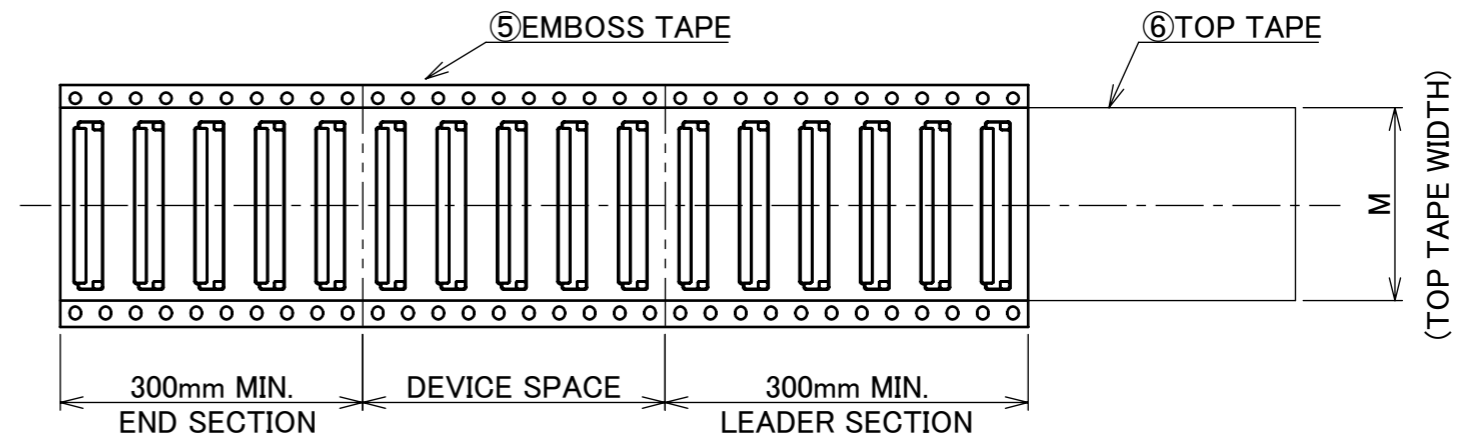
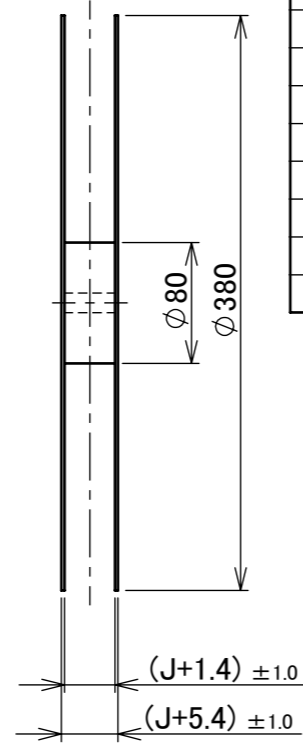
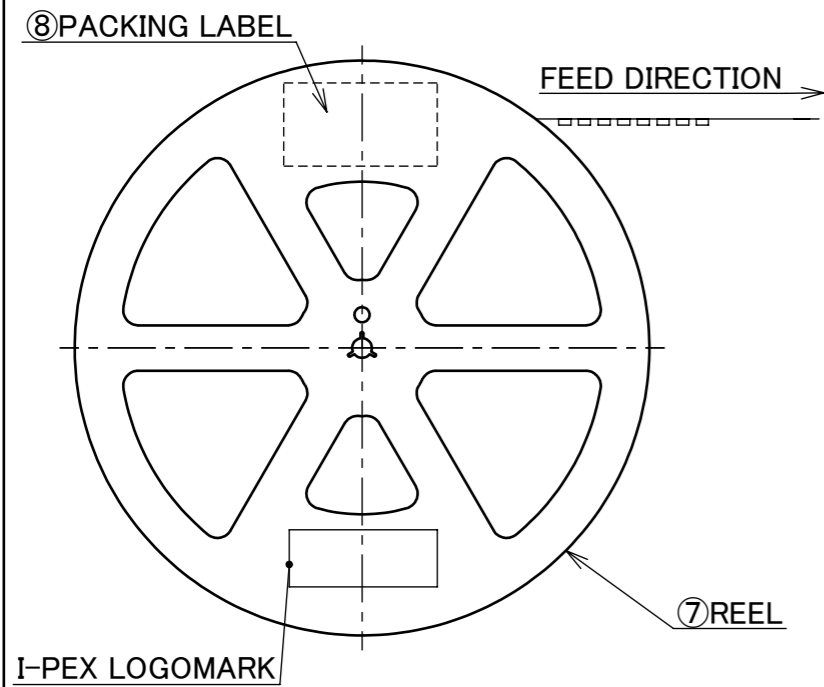


REFLOW TEMPERATURE PROFILE
 SENJU METAL INDUSTRY CO., LTD. : M705-SHF(Sn96.5 Ag3.0 Cu0.5)

| | | | | | | | | |
|--------------------|------|------------------|------|----------------------|------------------|---------------|-------|------|
| ANGLE | ±2° | 6 OVER 30 MAX. | ±0.3 | PROJECTION | SERIES No. R2 | CUSTOMER COPY | | |
| 6 MAX. | ±0.2 | 30 OVER 120 MAX. | ±0.5 | | | | | |
| GENERAL TOLERANCE. | | | | TITLE | SCALE 10:1 | I-PEX | | |
| DWG. | DATE | | | MINIFLEX® 5-BFN II L | | | | |
| CHK. | | | | | UNIT | | | |
| APP. | | | | DWG. No. | mm | SIZE | SHEET | REV. |
| | | | | 20586 | A3 | 4/5 | 9 | |

| PART No. | J | K | L | M | N | P | Q | QTY. PER EMBOSS REEL (PIECES / REEL) | QTY. PER PACKING CARTON (REELS / CARTON) |
|----------------|------|------|------|------|------|------|------|---|---|
| 20586-032E-01 | 32.0 | 28.4 | 14.2 | 26.0 | 18.0 | 16.5 | 16.0 | 4000 PIECES / REEL | 4 REELS / CARTON (16000 PIECES / CARTON) |
| 20586-034E-01 | | | | | 19.0 | 17.5 | 17.0 | | |
| ◆20586-036E-01 | | | | | 20.0 | 18.5 | 18.0 | | |
| 20586-040E-01 | | | | | 22.0 | 20.5 | 20.0 | | |
| ◆20586-044E-01 | 44.0 | 40.4 | 20.2 | 37.0 | 24.0 | 22.5 | 22.0 | 4000 PIECES / REEL | 3 REELS / CARTON (12000 PIECES / CARTON) |
| ◆20586-048E-01 | | | | | 26.0 | 24.5 | 24.0 | | |
| 20586-050E-01 | | | | | 27.0 | 25.5 | 25.0 | | |
| 20586-054E-01 | | | | | 29.0 | 27.5 | 27.0 | | |
| ◆20586-060E-01 | | | | | 32.0 | 30.5 | 30.0 | | |

- NOTES.
4. TAPING SPECIFICATION FOLLOWS JIS C 0806 (IEC 60286-3).
5. MAKE EMPTY SECTION OF LEADER AND END ON EACH END OF THE TAPE.
6. TOP TAPE SHALL NOT STICK OUT FROM EMBOSS TAPE.
7. TOP TAPE SHALL NOT COVER FEED HOLE.



| NO. | DISCRIPTION | MATERIAL | FINISH , REMARKS |
|-----|---------------|-----------------------------|---------------------------------------|
| 8 | PACKING LABEL | - | - |
| 7 | REEL | PS | BLACK |
| 6 | TOP TAPE | PET t=0.062 TRANSPARENCY | ANTI-STATIC TYPE HEAT WELDING TYPE |
| 5 | EMBOSS TAPE | PS t=0.3 TRANSPARENCY | ANTI-STATIC TYPE |

| ANGLE | ±2° | 6 OVER 30 MAX. | ±0.3 | PROJECTION | SERIES No. | CUSTOMER COPY |
|--------------------|------|------------------|------|------------|----------------------|---------------|
| 6 MAX. | ±0.2 | 30 OVER 120 MAX. | ±0.5 | | R2 | |
| GENERAL TOLERANCE. | | | | TITLE | MINIFLEX® 5-BFN II L | |
| DWG. | DATE | | | SCALE | | I-PEX |
| CHK. | | | | UNIT | | |
| APP. | | | | mm | | |
| | | | | DWG. No. | 20586 | SIZE |
| | | | | | | A3 |
| | | | | | | SHEET |
| | | | | | | 5/5 |
| | | | | | | REV. |
| | | | | | | 9 |