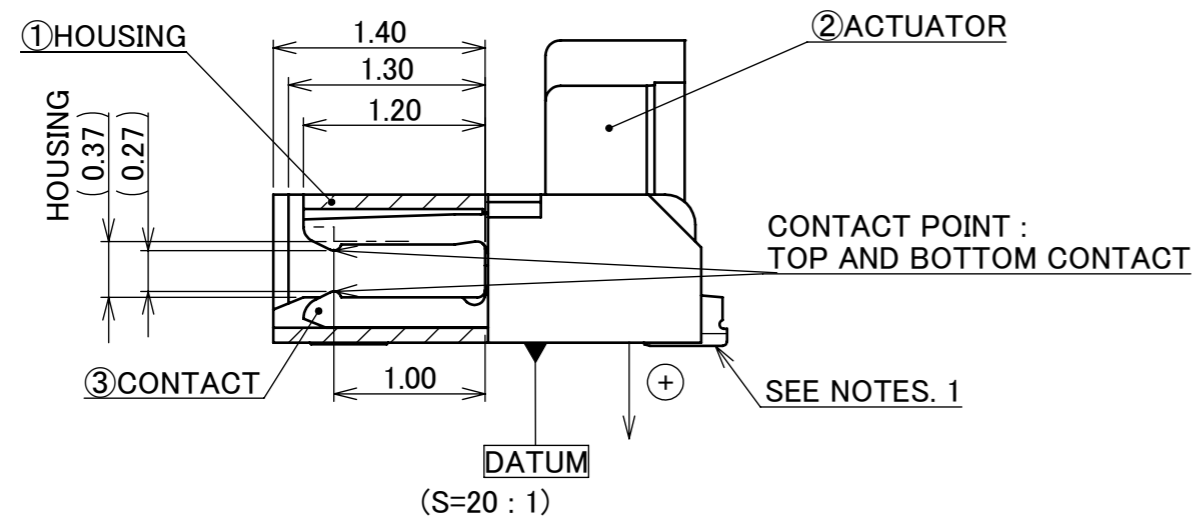
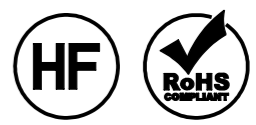
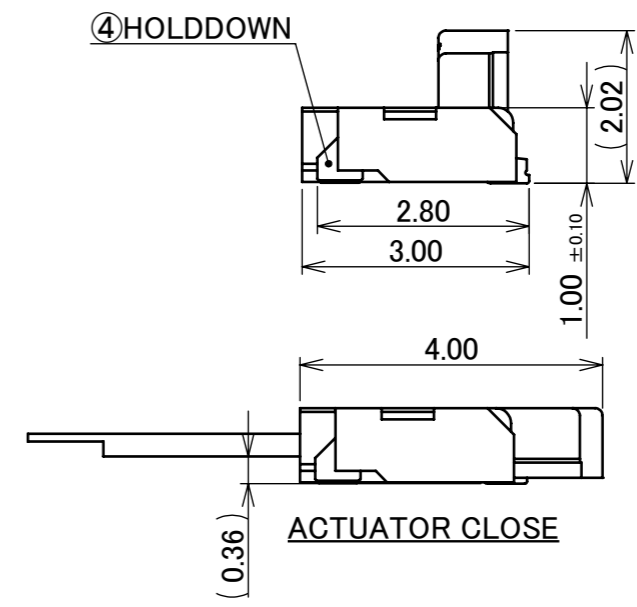


PART No.	POS.	A	B	C	D	E	F
20586-032E-01	32	15.50	17.70	16.80	16.56	17.15	10.80
20586-034E-01	34	16.50	18.70	17.80	17.56	18.15	11.80
◆20586-036E-01	36	17.50	19.70	18.80	18.56	19.15	8.80
20586-040E-01	40	19.50	21.70	20.80	20.56	21.15	10.80
◆20586-044E-01	44	21.50	23.70	22.80	22.56	23.15	12.80
◆20586-048E-01	48	23.50	25.70	24.80	24.56	25.15	9.80
20586-050E-01	50	24.50	26.70	25.80	25.56	26.15	10.80
20586-054E-01	54	26.50	28.70	27.80	27.56	28.15	12.80
◆20586-060E-01	60	29.50	31.70	30.80	30.56	31.15	15.80

CAUTION VISIT OUR WEBSITE FOR LATEST VERSIONS OF INSTRUCTION MANUAL NO. HIM-12019 TO HANDLE THE PRODUCT PROPERLY AND SAFELY.



NO.	DISCRIPTION	MATERIAL	FINISH, REMARKS
4	HOLD DOWN	PHOSPHOR BRONZE	Sn 2~6 μm MIN.OVER Ni 1.00 μm MIN.
3	CONTACT	PHOSPHOR BRONZE	CONTACT AREA : Au 0.1 μm MIN. OVER Ni 1.0 μm MIN. SOLDERING AREA : Au 0.03 μm MIN. OVER Ni 1.0 μm MIN.
2	ACTUATOR	LCP	UL94V-0, BEIGE
1	HOUSING	LCP	UL94V-0, BEIGE

REV.	ECN	BY	DATE	APP.	ANGLE	6 OVER 30 MAX.	±0.3	PROJECTION	SERIES No.	CUSTOMER COPY
7	Z191264	R.F	Sept./30/'19	H.I	±2°	6 OVER 30 MAX.	±0.3	⊕	R2	MINIFLEX® 5-BFN II LONG ACTUATOR TYPE
6	Z181426	K.T	Nov./01/'18	Y.S	6 MAX. ±0.2	30 OVER 120 MAX.	±0.5	⊕	R2	
5	Z181224	K.T	Sept./25/'18	Y.S	GENERAL TOLERANCE.					
4	Z170863	K.T	Aug./17/'17	H.I	DWG.	DATE				
3	Z160447	H.A	Apr./25/'16	Y.S	H.Aoki	Jan./10/'14				
2	Z151171	S.A	Oct./22/'15	Y.S	CHK.	DATE				
REV.	ECN	BY	DATE	APP.	J.Tateishi	Jan./14/'14				
REVISION RECORD					APP.	DATE		DWG. No.	20586	SCALE
					E.Kawabe	Jan./15/'14		A3	10:1	
									UNIT	
									mm	
									SIZE	
									A3	
									SHEET	
									1/5	
									REV.	
									7	

NOTES  
1. CONTACT TAIL IS PROJECTION FROM HOUSING IN THE + DIRECTION. (0~0.06)

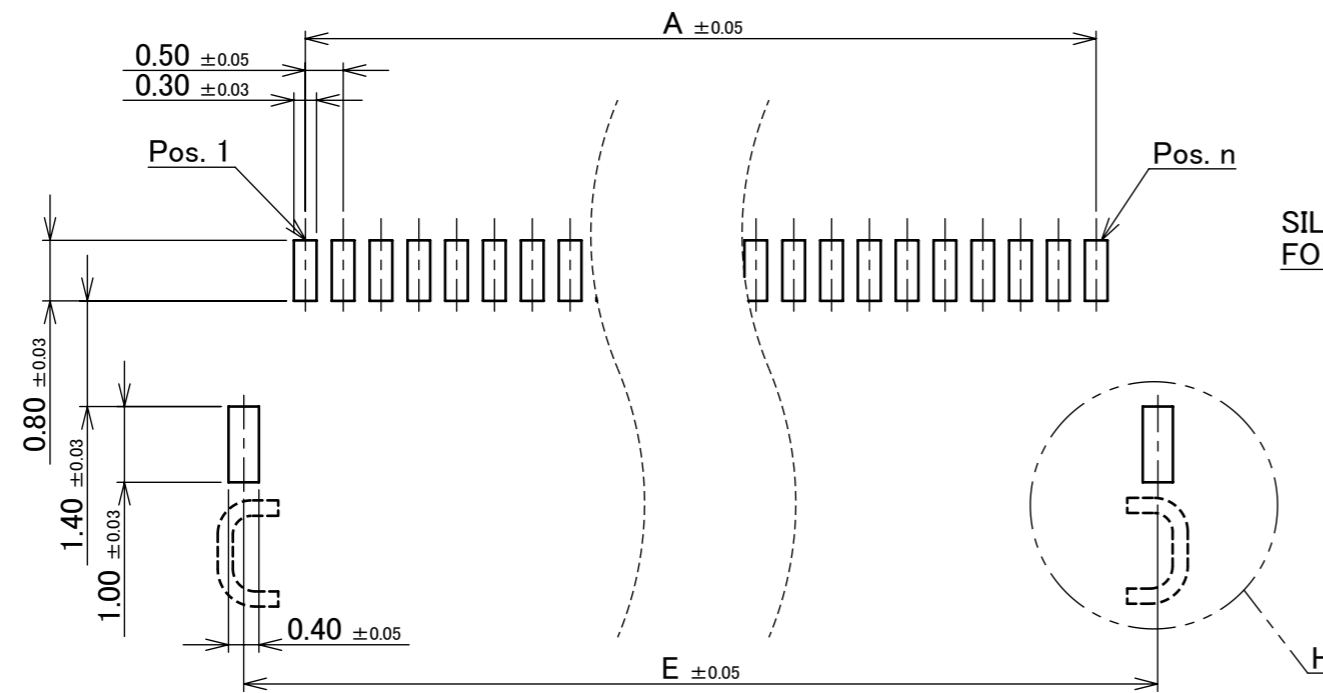
ITEMS	SPECIFICATION
RATING VOLTAGE	50V AC (PER CONTACT)
RATING AMPERAGE	0.5A DC (PER CONTACT) 7.0A DC (PER CONNECTOR)
OPERATING TEMPERATURE	233~398K(-40°C~125°C)
OPERATING HUMIDITY	80% MAX.(NON-CONDENSING)
CONTACT RESISTANCE	INITIAL : 40mohm MAX. / AFTER TEST : $\angle$ 20mohm MAX.
INSULATION RESISTANCE	100Mohm MIN.
DIELECTRIC WITHSTANDING VOLTAGE	AC200V 1min
DURABILITY	20TH CYCLES
ACTUATOR LOCKING FORCE (INITIAL / 20TH CYCLES)	INITIAL / 20TH CYCLES : 0.6N(61gf) × n MAX.
ACTUATOR UNLOCKING FORCE (INITIAL / 20TH CYCLES)	INITIAL / 20TH CYCLES : 0.05N(5gf) × n MIN.
FPC RETENTION FORCE (INITIAL / AFTER TEST)	INITIAL / AFTER TEST : 0.15N(15gf) × n MIN.
COPLANARITY	0.08 MAX.
PRODUCT SPECIFICATION	PRS-2056
TEST REPORT	TR-15070
PACKING STANDARD	PST-13064
INSTRUCTION MANUAL	HIM-12019
APPEARANCE CRITERIA No.	QLS-A***

※ "n" IS THE NUMBER OF PIN

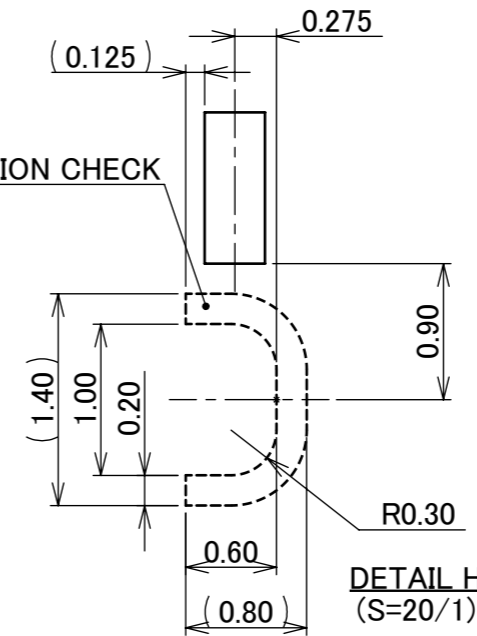
ANGLE	±2°	6 OVER 30 MAX.	±0.3	PROJECTION 	SERIES No. R2	CUSTOMER COPY
6 MAX.	±0.2	30 OVER 120 MAX.	±0.5			
GENERAL TOLERANCE.				TITLE MINIFLEX® 5-BFN II LONG ACTUATOR TYPE	SCALE	UNIT mm
DWG.	DATE					
CHK.	DATE					
APP.	DATE					
				DWG. No.	20586	SIZE A3
				SHEET 2/5		REV. 7

PART No.	POS.	A	E	G
20586-032E-01	32	15.50	17.15	16.50
20586-034E-01	34	16.50	18.15	17.50
◆20586-036E-01	36	17.50	19.15	18.50
20586-040E-01	40	19.50	21.15	20.50
◆20586-044E-01	44	21.50	23.15	22.50
◆20586-048E-01	48	23.50	25.15	24.50
20586-050E-01	50	24.50	26.15	25.50
20586-054E-01	54	26.50	28.15	27.50
◆20586-060E-01	60	29.50	31.15	30.50

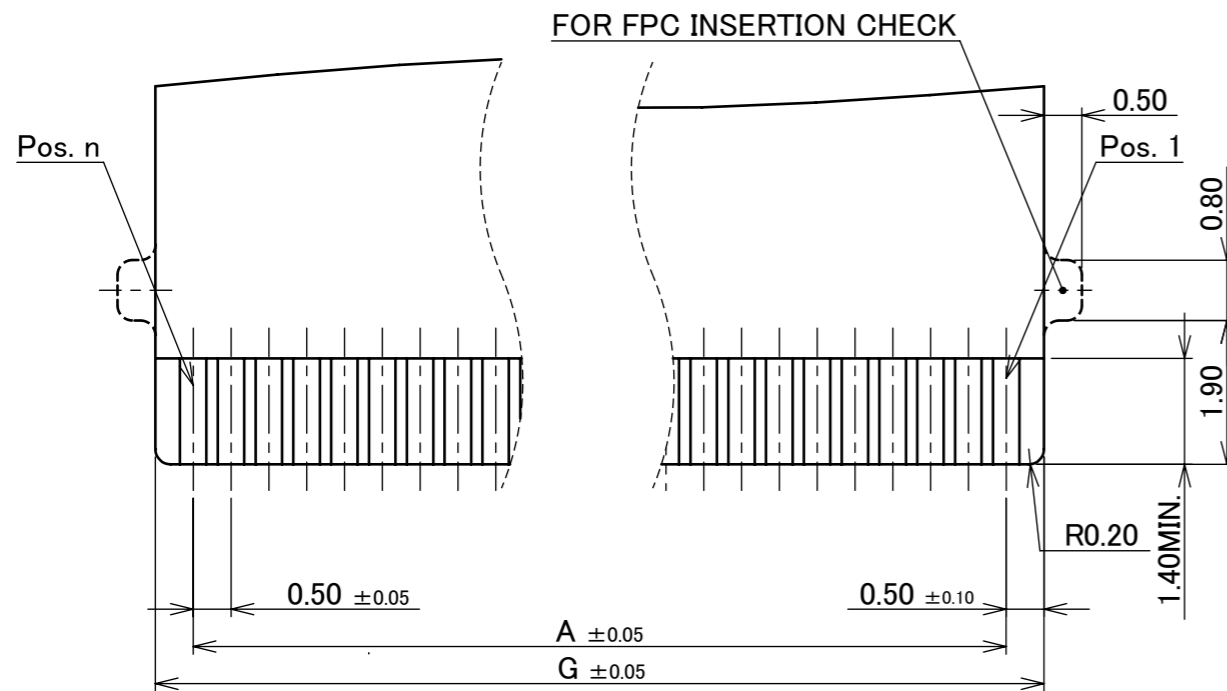
◆MARK MEANS NOT AVAILABLE



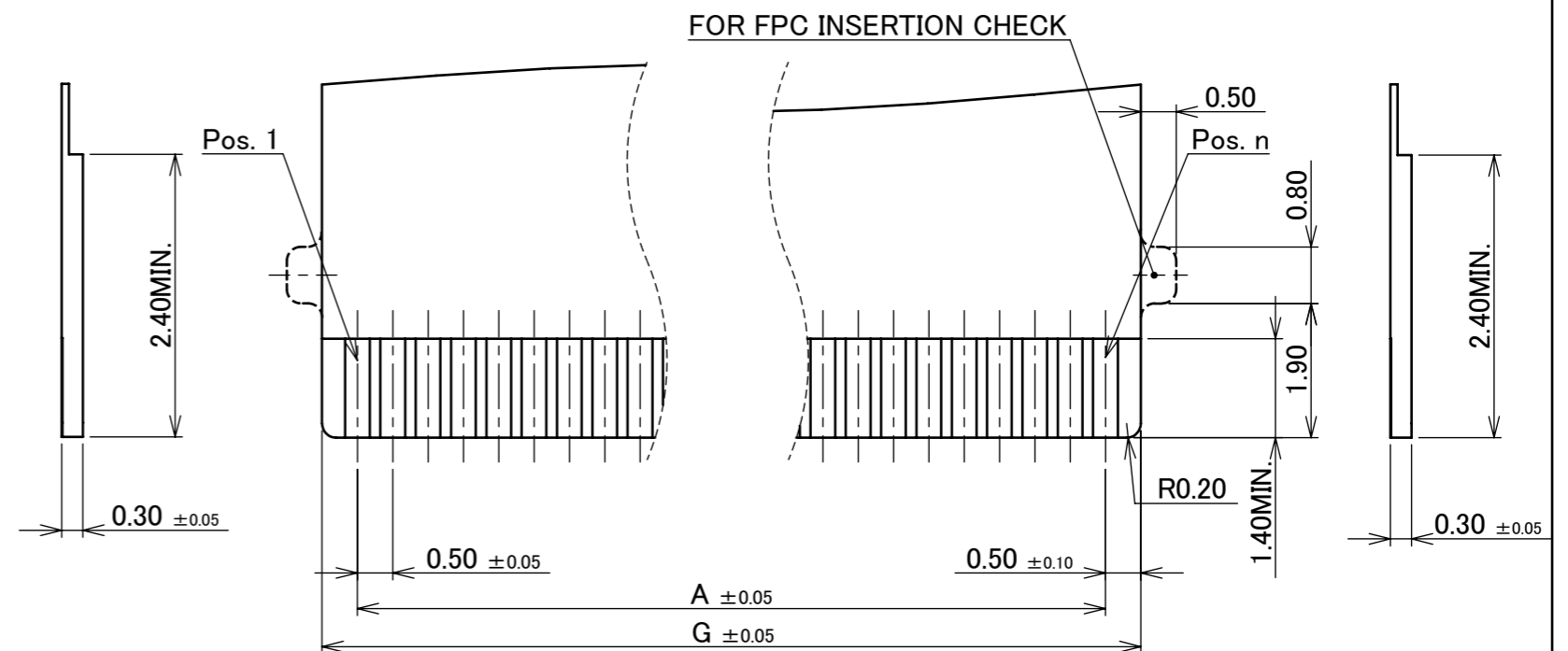
SILK PRINT FOR FPC INSERTION CHECK



RECOMMENDED PCB LAYOUT & METAL MASK LAYOUT  
METAL MASK THICKNESS : t=0.12mm



RECOMMENDED FPC LAYOUT (TOP CONTACT TYPE)



RECOMMENDED FPC LAYOUT (BOTTOM CONTACT TYPE)

NOTES

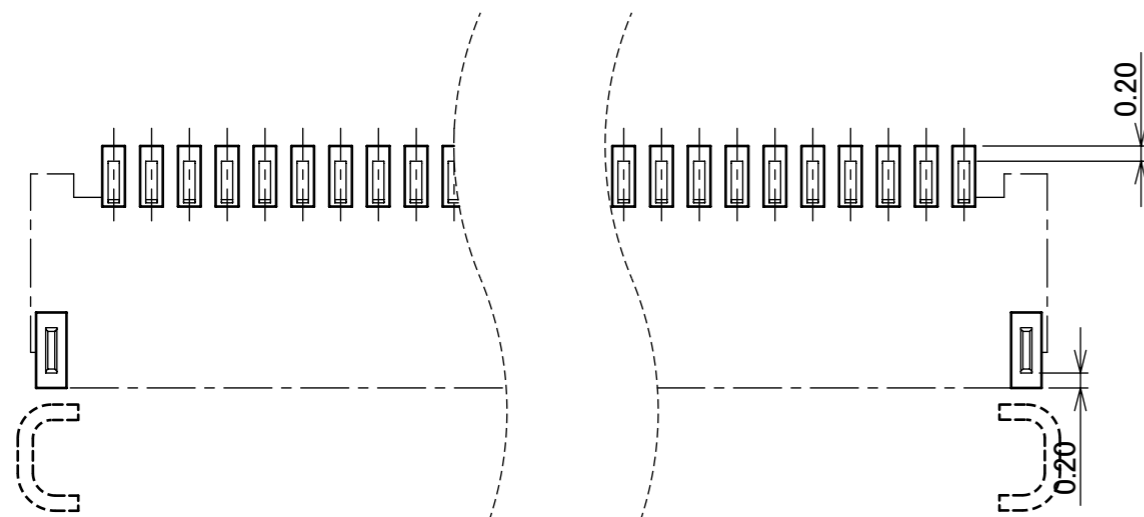
2.MATERIAL

- COVER FILM : PI
- CONDUCTOR : COPPER(RARE)
- BASE FILM : PI
- STIFFENER : PI
- ADHESIVE : THERMOSETTING ADHESIVE

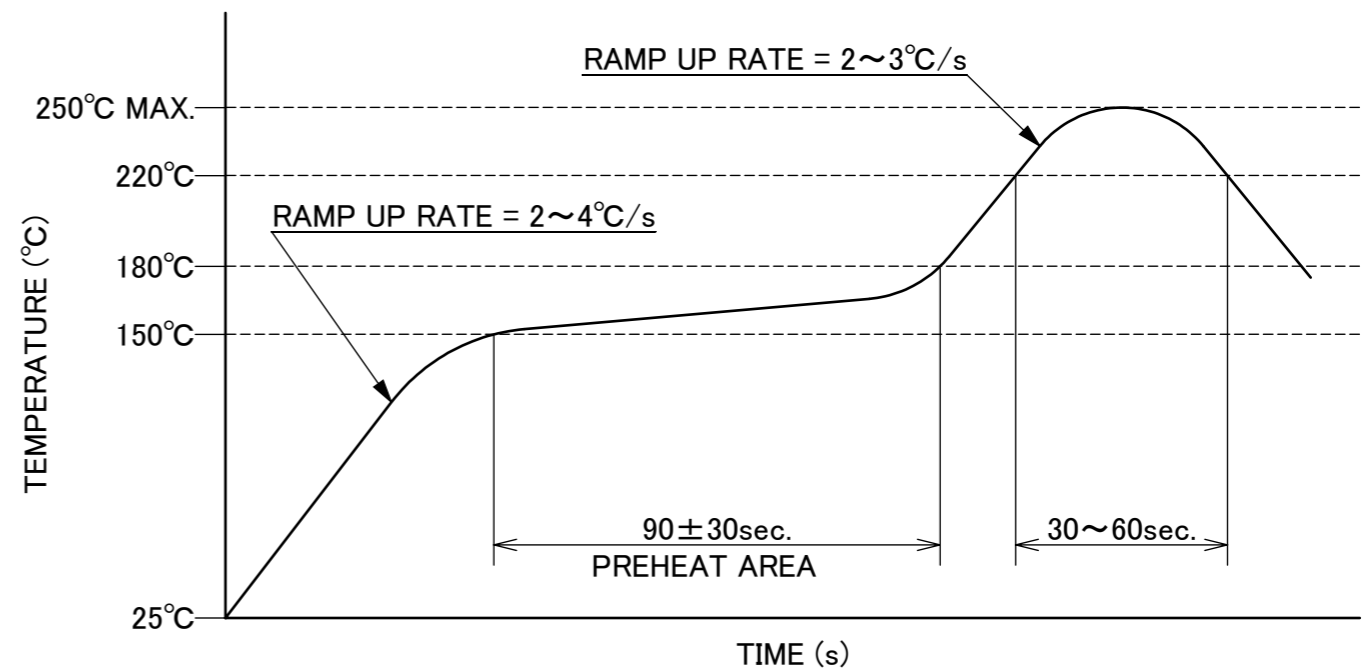
3.FINISH

- Au OVER Ni PLATING.

ANGLE	±2°	6 OVER 30 MAX.	±0.3	PROJECTION ⊕	SERIES No. R2	CUSTOMER COPY
	6 MAX.	±0.2	30 OVER 120 MAX.			
GENERAL TOLERANCE.				TITLE		SCALE
DWG.	DATE			MINIFLEX® 5-BFN II LONG ACTUATOR TYPE		10:1
CHK.	DATE					UNIT
APP.	DATE			DWG. No.		mm
				20586		SIZE
						A3
						SHEET 3/5
						REV. 7



CONNECTOR ON RECOMMENDED FOOTPRINT PATTERN



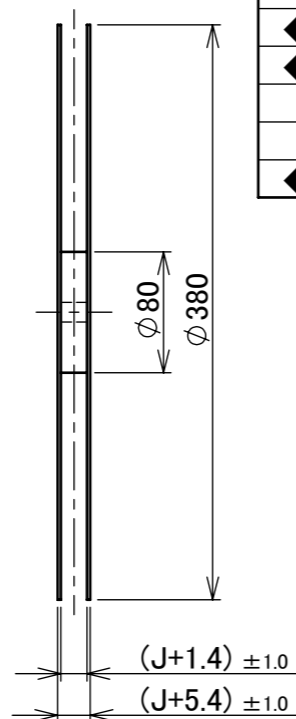
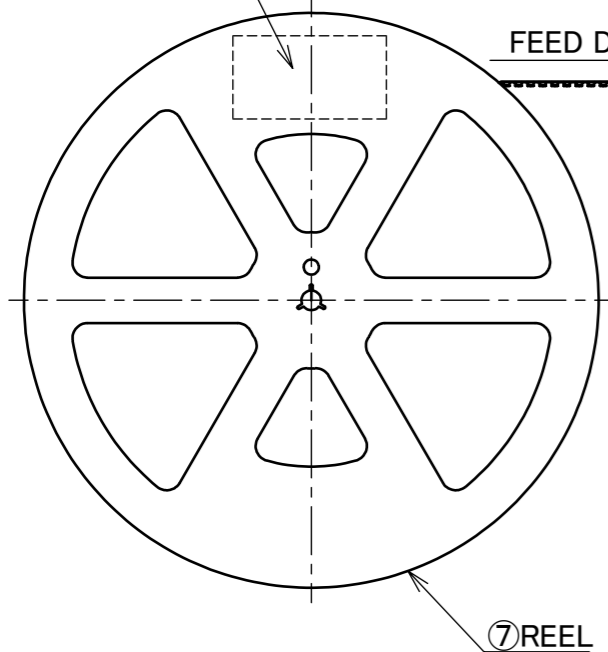
REFLOW TEMPERATURE PROFILE  
 SENJU METAL INDUSTRY CO., LTD. : M705-SHF(Sn96.5 Ag3.0 Cu0.5)

ANGLE	±2°	6 OVER 30 MAX.	±0.3	PROJECTION 	SERIES No. R2	CUSTOMER COPY
6 MAX.	±0.2	30 OVER 120 MAX.	±0.5			
GENERAL TOLERANCE.				TITLE MINIFLEX® 5-BFN II LONG ACTUATOR TYPE	SCALE 10:1	UNIT mm
DWG.	DATE					
CHK.	DATE					
APP.	DATE					
				DWG. No.	20586	SIZE A3
						SHEET 4/5 REV. 7

PART No.	J	K	L	M	N	P	Q	QTY. PER EMBOSS REEL (PIECES / REEL)	QTY. PER PACKING CARTON (REELS / CARTON)
20586-032E-01	32.0	28.4	14.2	26.0	18.0	16.5	16.0	4000 PIECES / REEL	4 REELS / CARTON ( 16000 PIECES / CARTON )
20586-034E-01					19.0	17.5	17.0		
◆20586-036E-01					20.0	18.5	18.0		
20586-040E-01					22.0	20.5	20.0		
◆20586-044E-01	44.0	40.4	20.2	37.0	24.0	22.5	22.0	4000 PIECES / REEL	3 REELS / CARTON ( 12000 PIECES / CARTON )
◆20586-048E-01					26.0	24.5	24.0		
20586-050E-01					27.0	25.5	25.0		
20586-054E-01					29.0	27.5	27.0		
◆20586-060E-01					32.0	30.5	30.0		

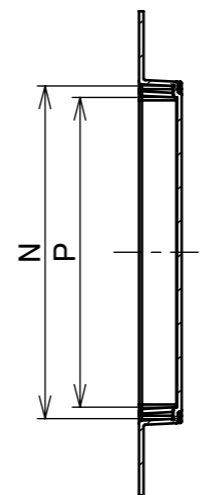
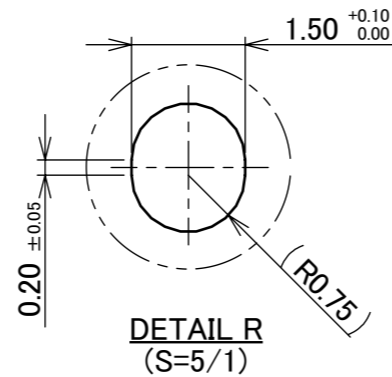
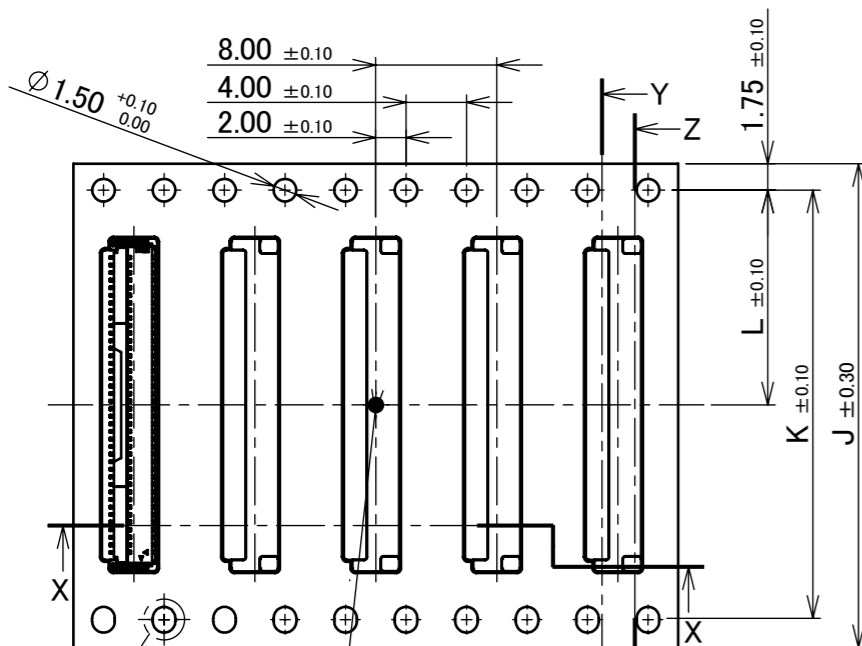
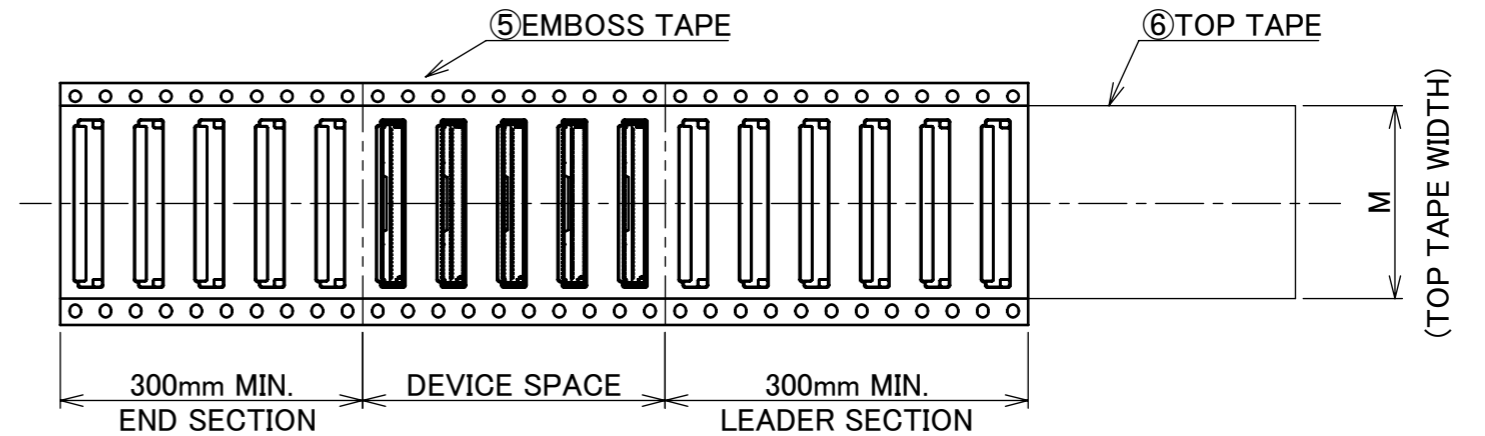
⑧PACKING LABEL

FEED DIRECTION

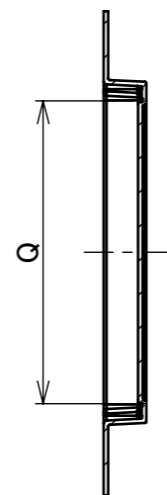


NOTES.

- TAPING SPECIFICATION FOLLOWS JIS C 0806 (IEC 60286-3).
- MAKE EMPTY SECTION OF LEADER AND END ON EACH END OF THE TAPE.
- TOP TAPE SHALL NOT STICK OUT FROM EMBOSS TAPE.
- TOP TAPE SHALL NOT COVER FEED HOLE.



SECT. Y-Y

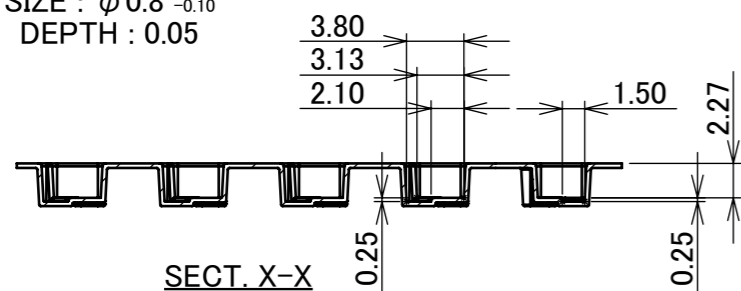


SECT. Z-Z

DOT MARK (CAV. No. 1)

SIZE :  $\phi 0.8^{+0.30}_{-0.10}$   
DEPTH : 0.05

FEED DIRECTION



SECT. X-X

NO.	DISCRIPTION	MATERIAL	FINISH , REMARKS
8	PACKING LABEL	-	-
7	REEL	PS	BLACK
6	TOP TAPE	PET t=0.062 TRANSPARENCY	ANTI-STATIC TYPE HEAT WELDING TYPE
5	EMBASS TAPE	PS t=0.3 TRANSPARENCY	ANTI-STATIC TYPE

ANGLE	±2°	6 OVER 30 MAX.	±0.3	PROJECTION	SERIES No.	CUSTOMER COPY
6 MAX.	±0.2	30 OVER 120 MAX.	±0.5		R2	
GENERAL TOLERANCE.				TITLE	SCALE	I-PEX
DWG.	DATE	MINIFLEX® 5-BFN II LONG ACTUATOR TYPE		UNIT		
CHK.	DATE	DWG. No. 20586		mm		
APP.	DATE	SHEET 5/5		REV. 7		