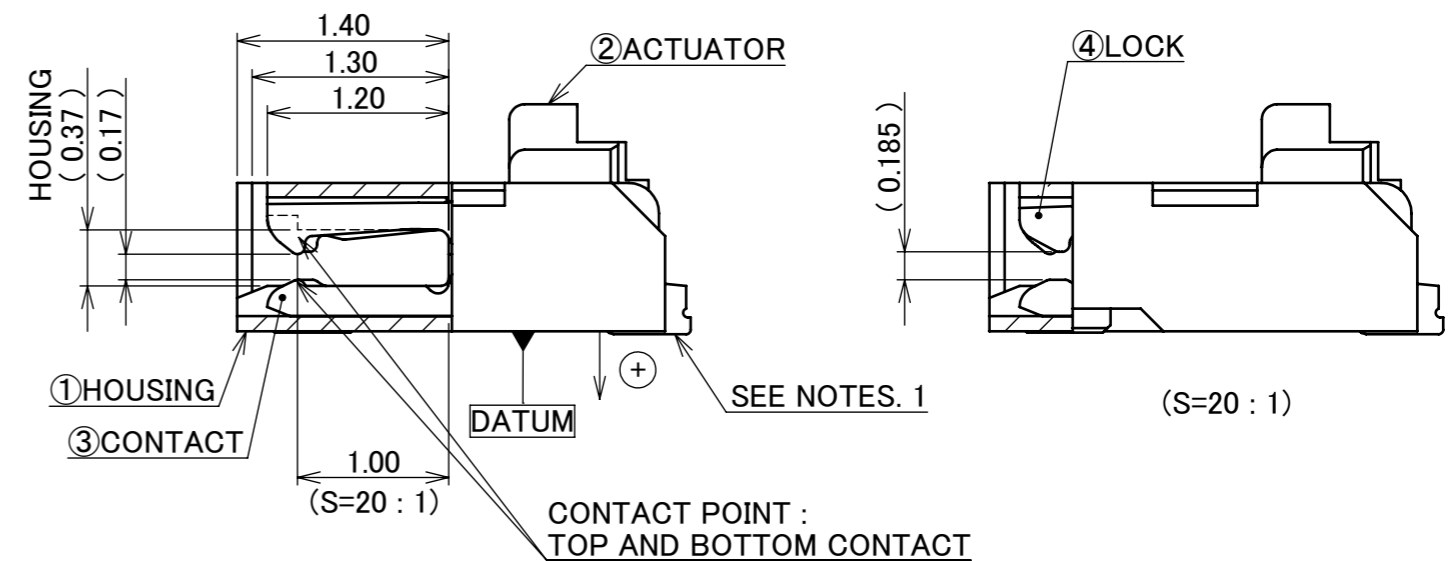
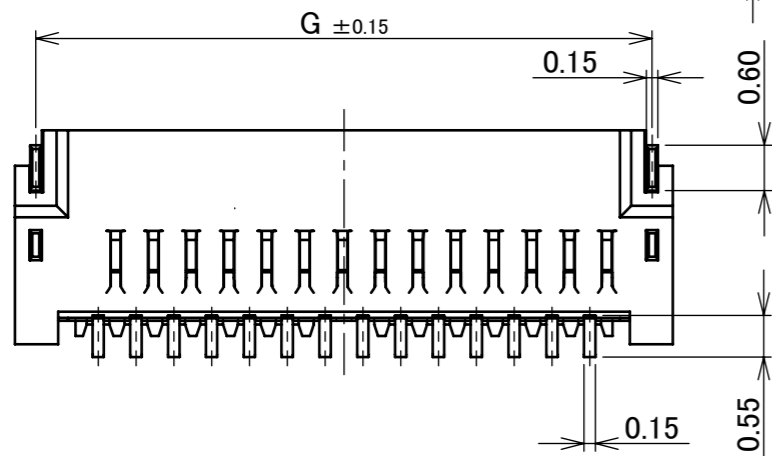
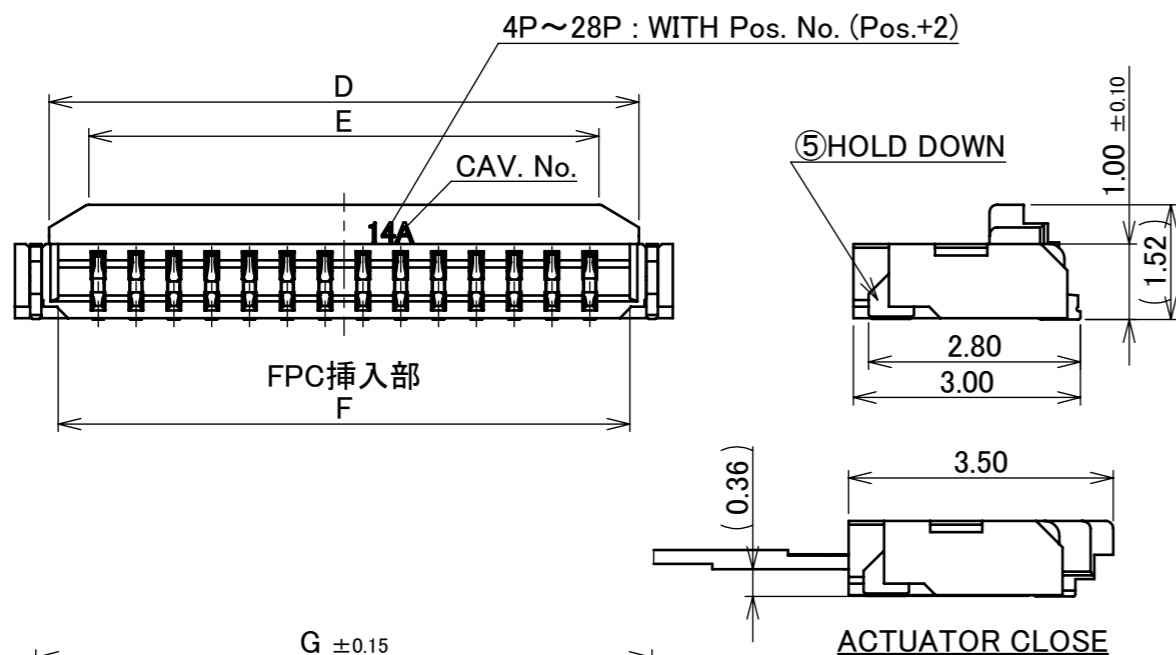
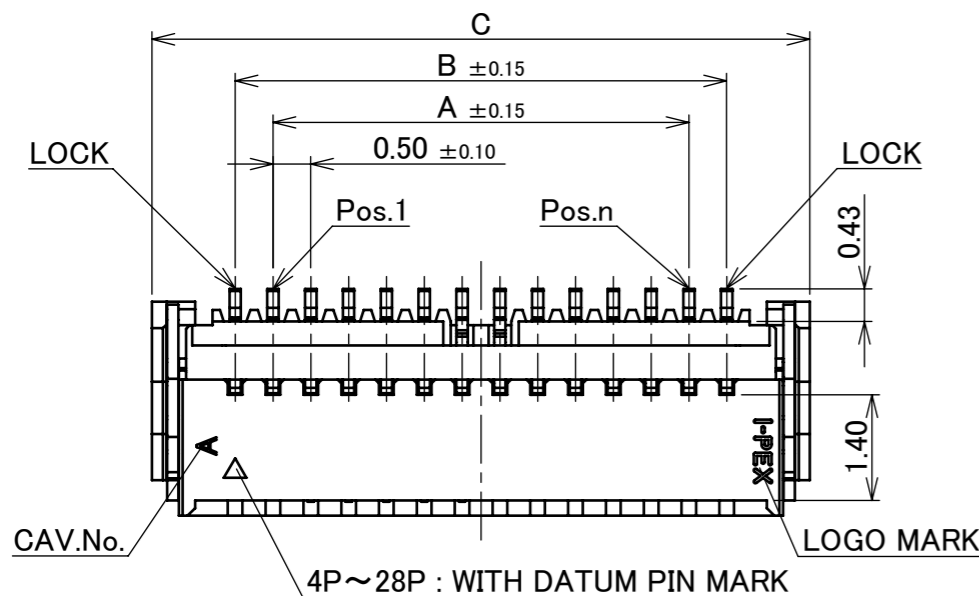




PART No.	POS.	A	B	C	D	E	F	G
20570-004E-02	4	1.50	2.50	4.70	3.80	2.80	3.56	4.15
20570-006E-02	6	2.50	3.50	5.70	4.80	3.80	4.56	5.15
20570-008E-02	8	3.50	4.50	6.70	5.80	4.80	5.56	6.15
20570-010E-02	10	4.50	5.50	7.70	6.80	5.80	6.56	7.15
20570-012E-02	12	5.50	6.50	8.70	7.80	6.80	7.56	8.15
20570-014E-02	14	6.50	7.50	9.70	8.80	2.80	8.56	9.15
20570-016E-02	16	7.50	8.50	10.70	9.80	3.80	9.56	10.15
20570-018E-02	18	8.50	9.50	11.70	10.80	4.80	10.56	11.15
20570-020E-02	20	9.50	10.50	12.70	11.80	5.80	11.56	12.15
20570-022E-02	22	10.50	11.50	13.70	12.80	6.80	12.56	13.15
20570-024E-02	24	11.50	12.50	14.70	13.80	7.80	13.56	14.15
20570-026E-02	26	12.50	13.50	15.70	14.80	8.80	14.56	15.15
20570-028E-02	28	13.50	14.50	16.70	15.80	9.80	15.56	16.15



NO.	DISCRIPTION	MATERIAL	FINISH, REMARKS
5	HOLD DOWN	PHOSPHOR BRONZE	Sn 2~6 μm MIN.OVER Ni 1.0 μm MIN.
4	LOCK	PHOSPHOR BRONZE	Au 0.03 μm MIN. OVER Ni 1.0 μm MIN.
3	CONTACT	PHOSPHOR BRONZE	CONTACT AREA : Au 0.1 μm MIN. OVER Ni 1.0 μm MIN. SOLDERING AREA : Au 0.03 μm MIN. OVER Ni 1.0 μm MIN.
2	ACTUATOR	LCP	UL94V-0, BEIGE
1	HOUSING	LCP	UL94V-0, BEIGE

REV.	ECN	BY	DATE	APP.	DATE	DATE	DATE	PROJECTION	SERIES No.	TITLE	SCALE
12	Z191264	R.F	Sept./30/'19	H.I	ANGLE	±2°	6 OVER 30 MAX.	±0.3	R3	MINIFLEX® 5-BFN II LK(02)	10:1
11	Z181426	K.T	Nov./01/'18	Y.S	6 MAX.	±0.2	30 OVER 120 MAX.	±0.5			UNIT
10	Z181224	K.T	Sept./25/'18	Y.S	GENERAL TOLERANCE.			DWG. No. 20570	mm	SHEET 1/5 REV. 12	
9	Z161154	Y.O	Sept./13/'16	TAK	DWG.	T.Yoshisuji	Aug./02/'12		DATE		SIZE
8	Z160894	Tad	July/27/'16	TAK	CHK.	K.Narita	Aug./02/'12	DATE	A3		
7	Z150938	Y.F	Aug./25/'15	E.K	APP.	T.Takano	Aug./02/'12	DATE			
REVISION RECORD											

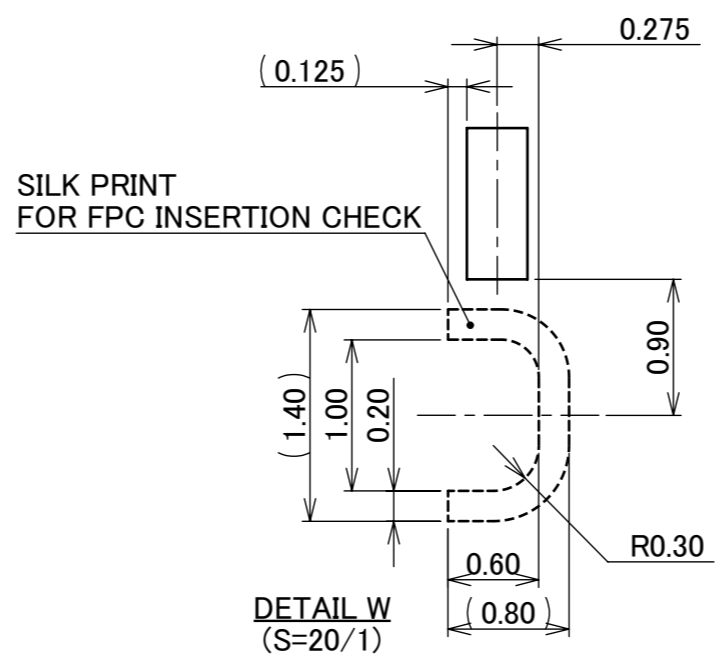
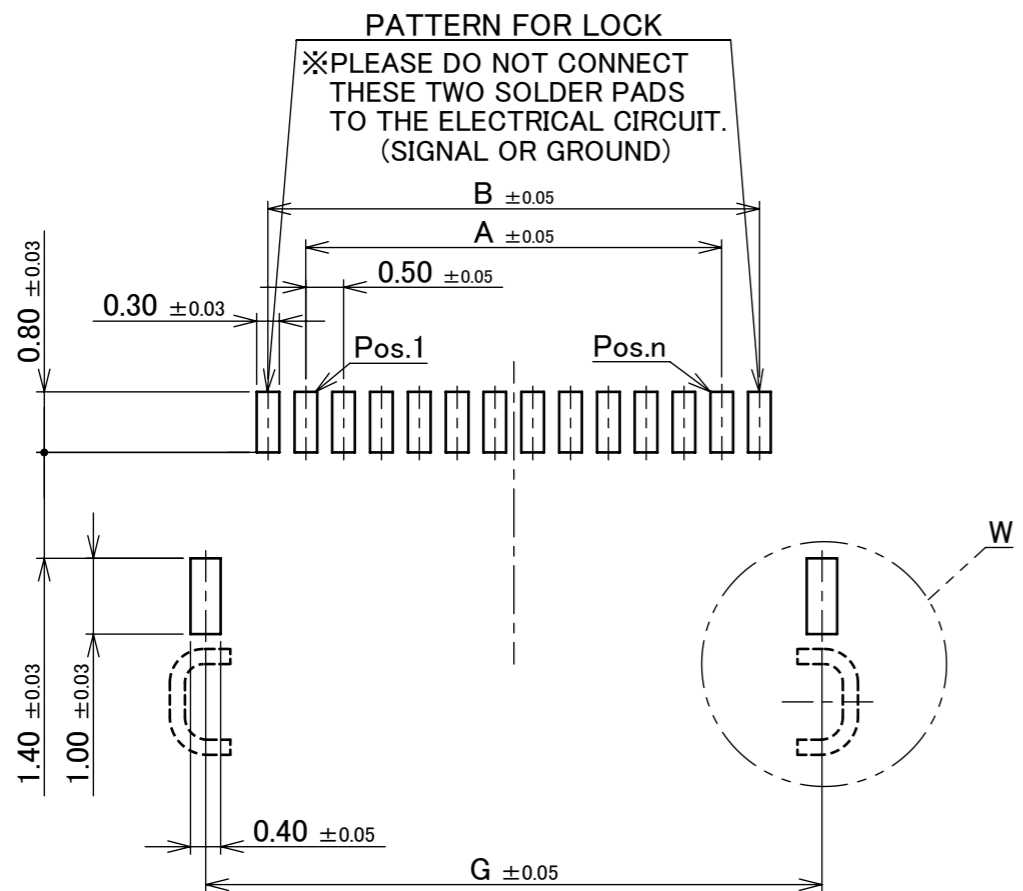
**CAUTION** VISIT OUR WEBSITE FOR LATEST VERSIONS OF INSTRUCTION MANUAL NO. HIM-12019 TO HANDLE THE PRODUCT PROPERLY AND SAFELY.

NOTES  
1. CONTACT TAIL IS PROJECTION FROM HOUSING IN THE + DIRECTION. (0~0.06)

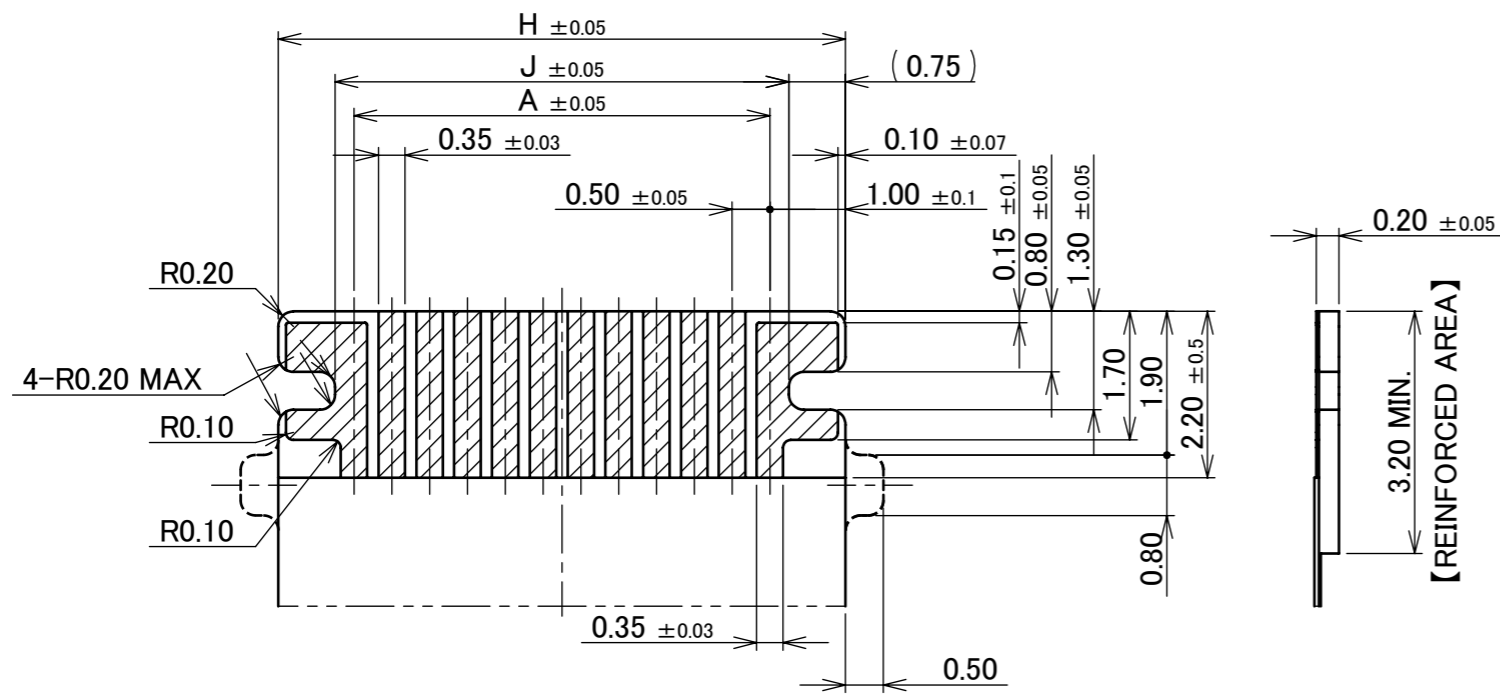
ITEMS	SPECIFICATION
RATING VOLTAGE	50V AC (PER CONTACT)
RATING AMPERAGE	0.5A DC (PER CONTACT) 7.0A DC (PER CONNECTOR)
OPERATING TEMPERATURE	233~358K(-40°C~85°C)
OPERATING HUMIDITY	80% MAX.(NON-CONDENSING)
CONTACT RESISTANCE	INITIAL : 40mohm MAX. / AFTER TEST : $\angle$ 20mohm MAX.
INSULATION RESISTANCE	100Mohm MIN.
DIELECTRIC WITHSTANDING VOLTAGE	AC200V 1min
DURABILITY	20TH CYCLES
ACTUATOR LOCKING FORCE (INITIAL / 20TH CYCLES)	INITIAL/ 20TH CYCLES : 0.6N(61gf) $\times$ (n + 2) MAX.
ACTUATOR UNLOCKING FORCE (INITIAL / 20TH CYCLES)	INITIAL/ 20TH CYCLES : 0.05N(5gf) $\times$ (n + 2) MIN.
FPC RETENTION FORCE (INITIAL / AFTER TEST)	INITIAL : 0.15N(15gf) $\times$ n + 2.0N MIN. / AFTER TEST : 0.15N(15gf) $\times$ n + 1.0N MIN.
COPLANARITY	0.08 MAX.
PRODUCT SPECIFICATION	PRS-1825
TEST REPORT	TR-13052
PACKING STANDARD	PST-13031
INSTRUCTION MANUAL	HIM-12019
APPEARANCE CRITERIA No.	QLS-A***

※ "n" IS THE NUMBER OF PIN

ANGLE	$\pm 2^\circ$	6 OVER 30 MAX.	$\pm 0.3$	PROJECTION 	SERIES No. R3	CUSTOMER COPY
	6 MAX.	$\pm 0.2$	30 OVER 120 MAX.			
GENERAL TOLERANCE.				TITLE MINIFLEX <sup>®</sup> 5-BFN II LK(02)	SCALE	UNIT mm
DWG.	DATE					
CHK.	DATE					
APP.	DATE					
				DWG. No.	20570	SIZE A3
				SHEET 2/5		REV. 12



**RECOMMENDED PCB LAYOUT & METAL MASK LAYOUT**  
**METAL MASK THICKNESS : t=0.12mm**

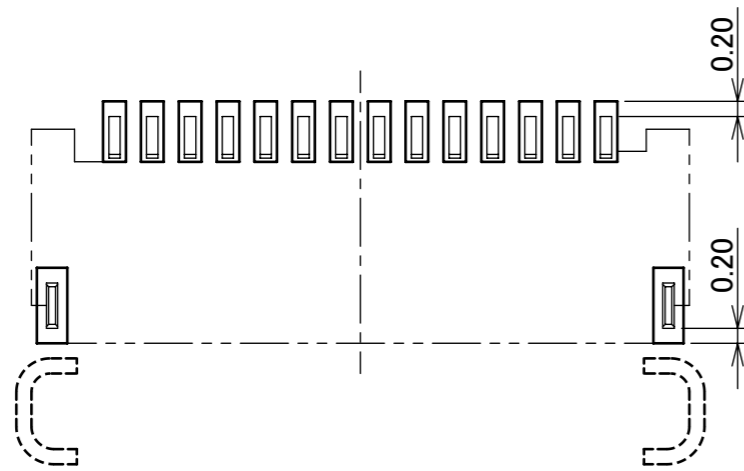


**RECOMMENDED FPC LAYOUT**

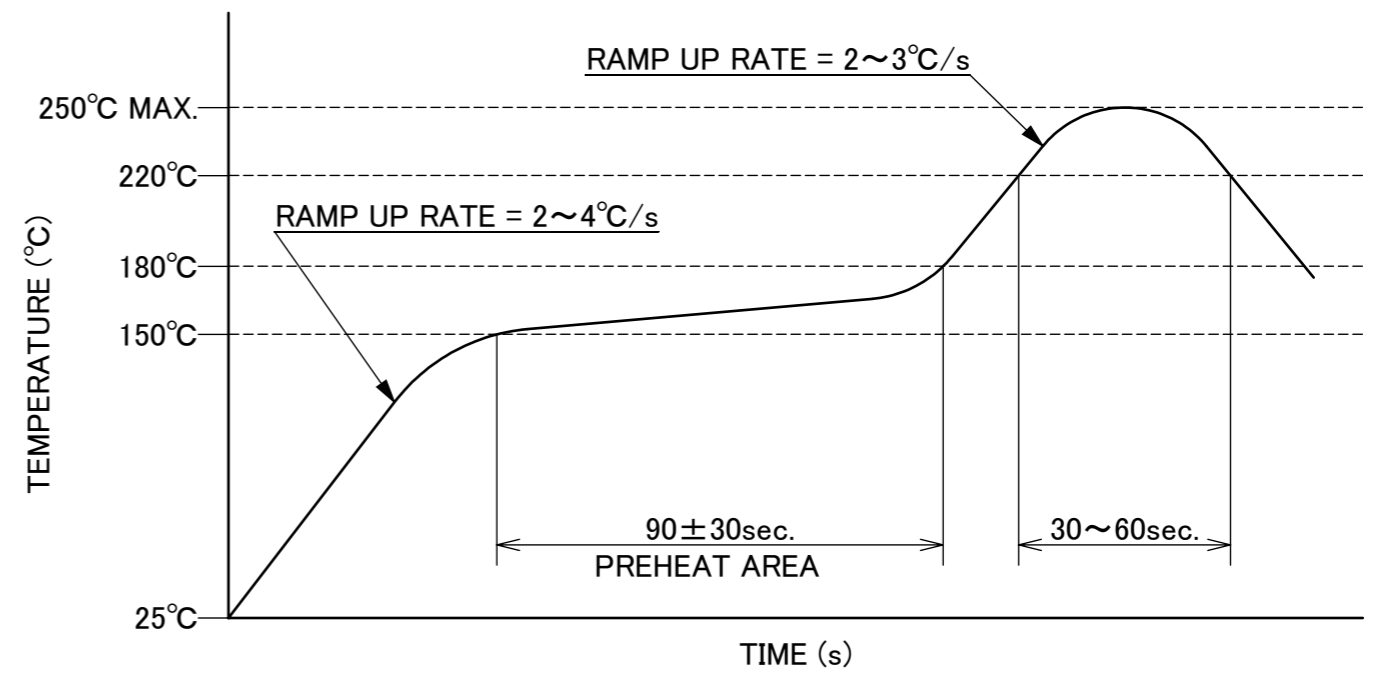
PART No.	POS.	A	B	G	H	J
20570-004E-02	4	1.50	2.50	4.15	3.50	2.00
20570-006E-02	6	2.50	3.50	5.15	4.50	3.00
20570-008E-02	8	3.50	4.50	6.15	5.50	4.00
20570-010E-02	10	4.50	5.50	7.15	6.50	5.00
20570-012E-02	12	5.50	6.50	8.15	7.50	6.00
20570-014E-02	14	6.50	7.50	9.15	8.50	7.00
20570-016E-02	16	7.50	8.50	10.15	9.50	8.00
20570-018E-02	18	8.50	9.50	11.15	10.50	9.00
20570-020E-02	20	9.50	10.50	12.15	11.50	10.00
20570-022E-02	22	10.50	11.50	13.15	12.50	11.00
20570-024E-02	24	11.50	12.50	14.15	13.50	12.00
20570-026E-02	26	12.50	13.50	15.15	14.50	13.00
20570-028E-02	28	13.50	14.50	16.15	15.50	14.00

- NOTES**
- 2.MATERIAL  
 COVER FILM : PI  
 CONDUCTOR : COPPER(RARE)  
 BASE FILM : PI  
 STIFFENER : PI  
 ADHESIVE : THERMOSETTING ADHESIVE
  - 3.FINISH  
 Au OVER Ni PLATING.

ANGLE	$\pm 2^\circ$	6 OVER 30 MAX.	$\pm 0.3$	PROJECTION	SERIES No.	CUSTOMER COPY
					R3	
GENERAL TOLERANCE.				TITLE	SCALE	I-PEX
DWG.	DATE			MINIFLEX® 5-BFN II LK(02)	10:1	
CHK.	DATE				UNIT	
APP.	DATE			DWG. No.	mm	
					SIZE	SHEET 3/5 REV. 12
				20570	A3	



CONNECTOR ON RECOMMENDED FOOTPRINT PATTERN

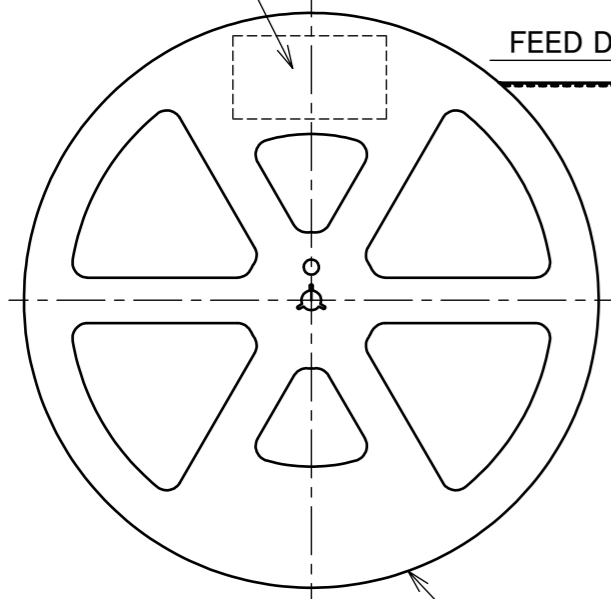


REFLOW TEMPERATURE PROFILE  
 SENJU METAL INDUSTRY CO., LTD. : M705-SHF(Sn96.5 Ag3.0 Cu0.5)

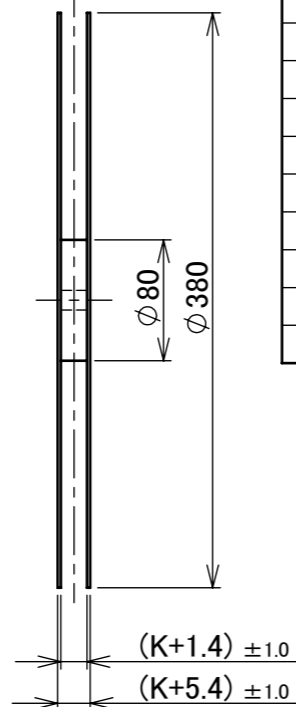
ANGLE	±2°	6 OVER 30 MAX.	±0.3	PROJECTION 	SERIES No. R3	CUSTOMER COPY	
6 MAX.	±0.2	30 OVER 120 MAX.	±0.5				
GENERAL TOLERANCE.				TITLE MINIFLEX® 5-BFN II LK(02)	SCALE 10:1	UNIT <b>I-PEX</b>	
DWG.	DATE						
CHK.	DATE						
APP.	DATE						
				DWG. No.	20570	SIZE A3	SHEET 4/5 REV. 12

⑨PACKING LABEL

FEED DIRECTION



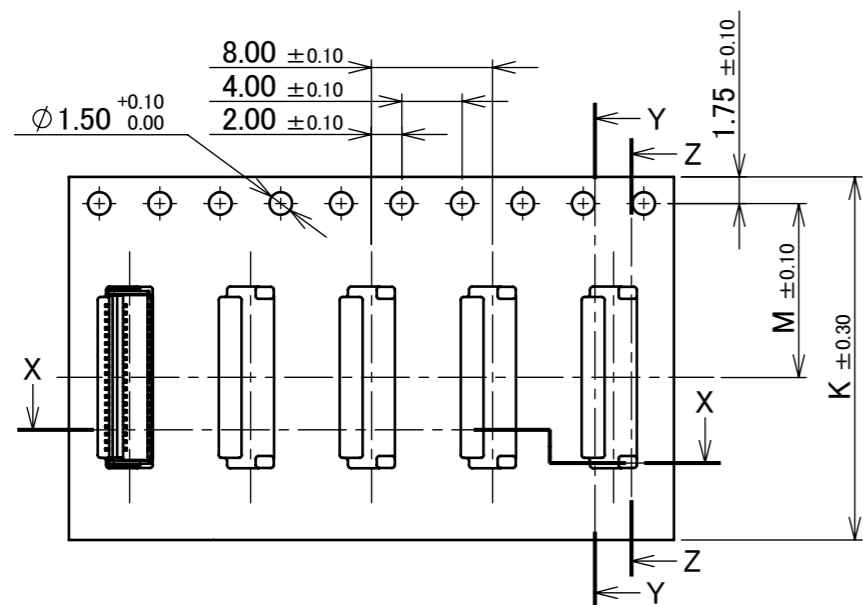
⑧REEL



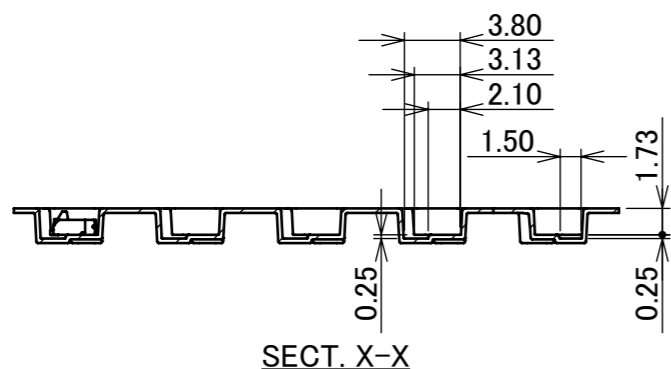
PART No.	K	L	M	N	P	Q	QTY. PER EMBOSS REEL (PIECES / REEL)	QTY. PER PACKING CARTON (REELS / CARTON)
20570-004E-02	12.0	9.5	5.5	5.0	3.5	3.0	5000 PIECES / REEL	8 REELS / CARTON ( 40000 PIECES / CARTON )
20570-006E-02	16.0	13.5	7.5	6.0	4.5	4.0	5000 PIECES / REEL	7 REELS / CARTON ( 35000 PIECES / CARTON )
20570-008E-02				7.0	5.5	5.0		
20570-010E-02				8.0	6.5	6.0		
20570-012E-02				9.0	7.5	7.0		
20570-014E-02	24.0	21.5	11.5	10.0	8.5	8.0	5000 PIECES / REEL	5 REELS / CARTON ( 25000 PIECES / CARTON )
20570-016E-02				11.0	9.5	9.0		
20570-018E-02				12.0	10.5	10.0		
20570-020E-02				13.0	11.5	11.0		
20570-022E-02				14.0	12.5	12.0		
20570-024E-02				15.0	13.5	13.0		
20570-026E-02				16.0	14.5	14.0		
20570-028E-02				17.0	15.5	15.0		

NOTES.

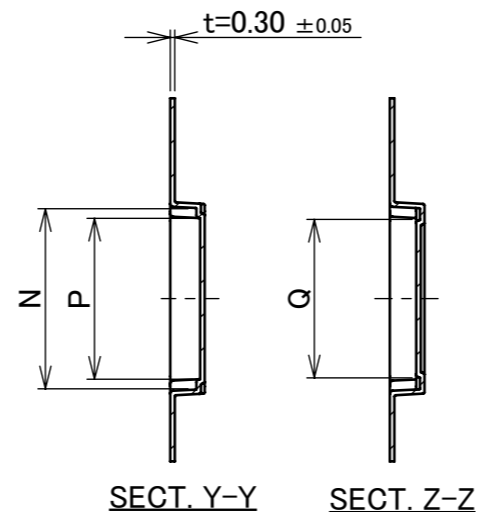
- TAPING SPECIFICATION FOLLOWS JIS C 0806 (IEC 60286-3).
- MAKE EMPTY SECTION OF LEADER AND END ON EACH END OF THE TAPE.
- TOP TAPE SHALL NOT STICK OUT FROM EMBOSS TAPE.
- TOP TAPE SHALL NOT COVER FEED HOLE.



FEED DIRECTION

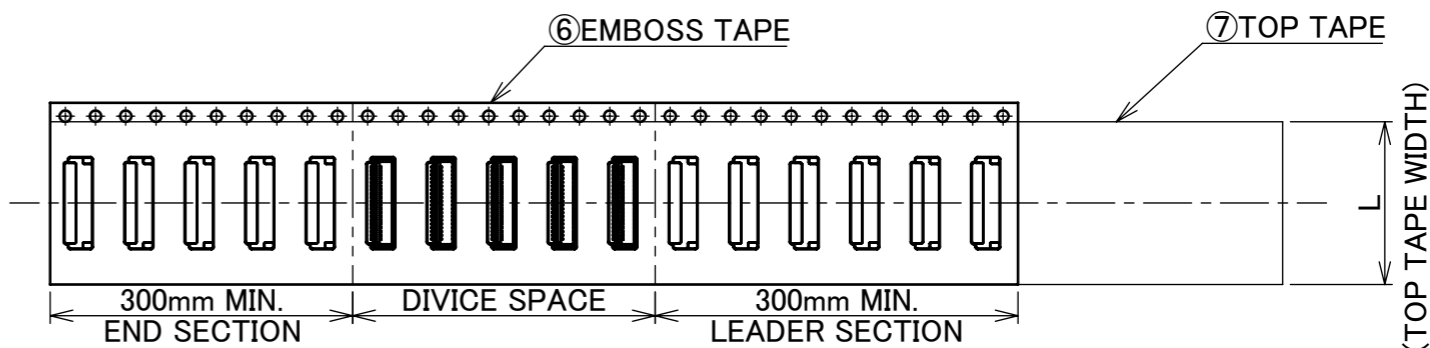


SECT. X-X



SECT. Y-Y

SECT. Z-Z



NO.	DISCRIPTION	MATERIAL	FINISH , REMARKS
9	PACKING LABEL	-	-
8	REEL	PS	BLACK
7	TOP TAPE	PET t=0.062 TRANSPARENCY	ANTI-STATIC TYPE HEAT WELDING TYPE
6	EMBOSS TAPE	PS t=0.3 TRANSPARENCY	ANTI-STATIC TYPE

ANGLE	±2°	6 OVER 30 MAX.	±0.3	PROJECTION	SERIES No.	CUSTOMER COPY	
6 MAX.	±0.2	30 OVER 120 MAX.	±0.5		R3		
GENERAL TOLERANCE.				TITLE	SCALE		
DWG.	DATE			MINIFLEX® 5-BFN II LK(02)	UNIT		
CHK.	DATE			DWG. No.	mm		
APP.	DATE			20570	SIZE		
						A3	SHEET 5/5 REV. 12