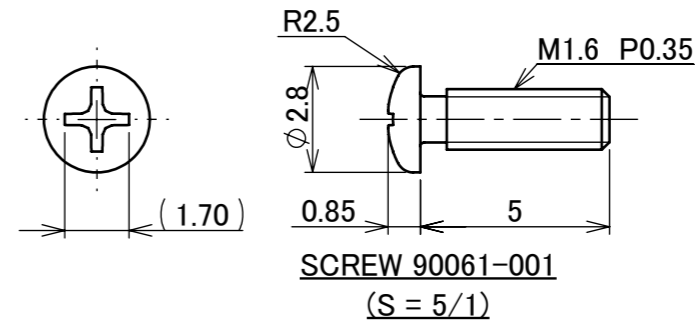
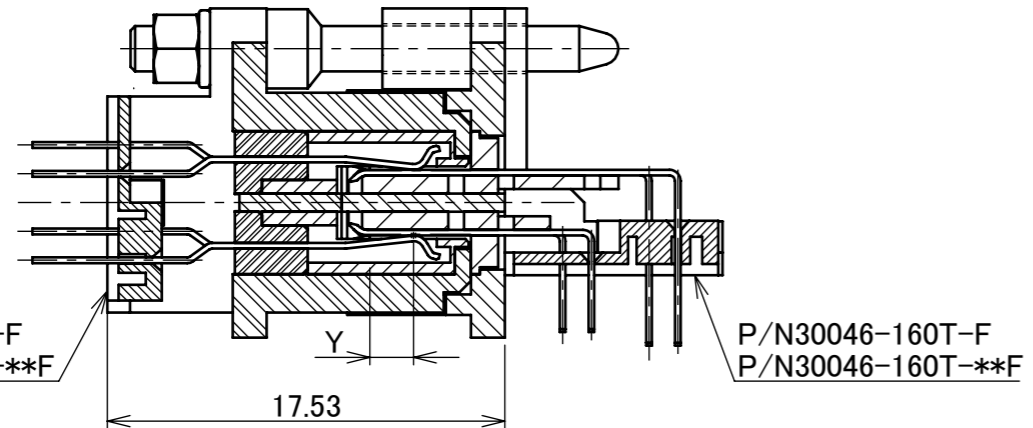
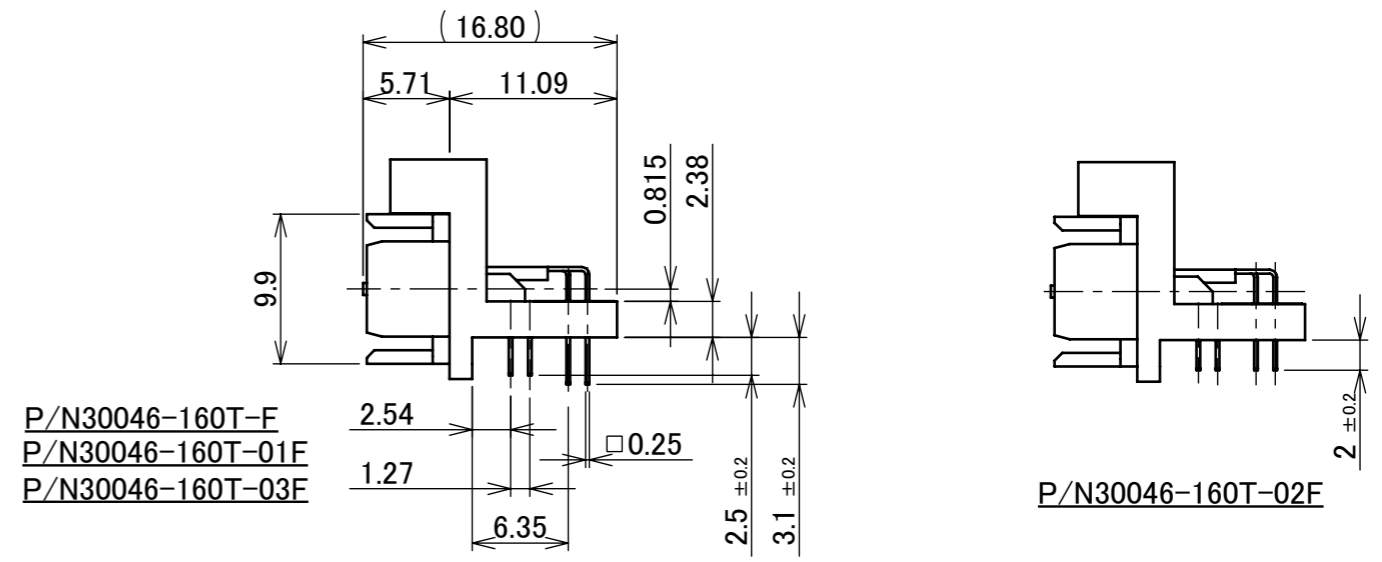
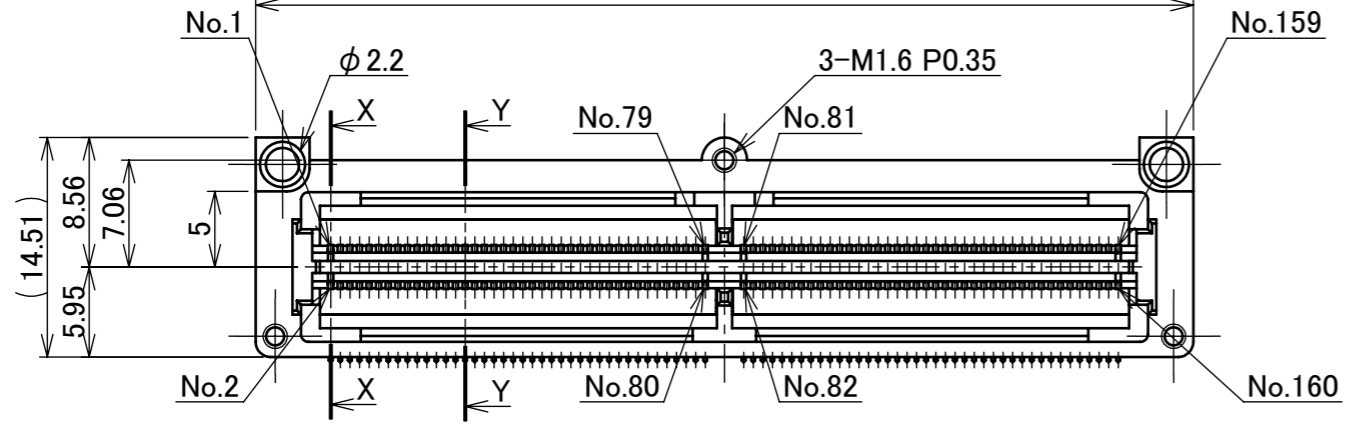
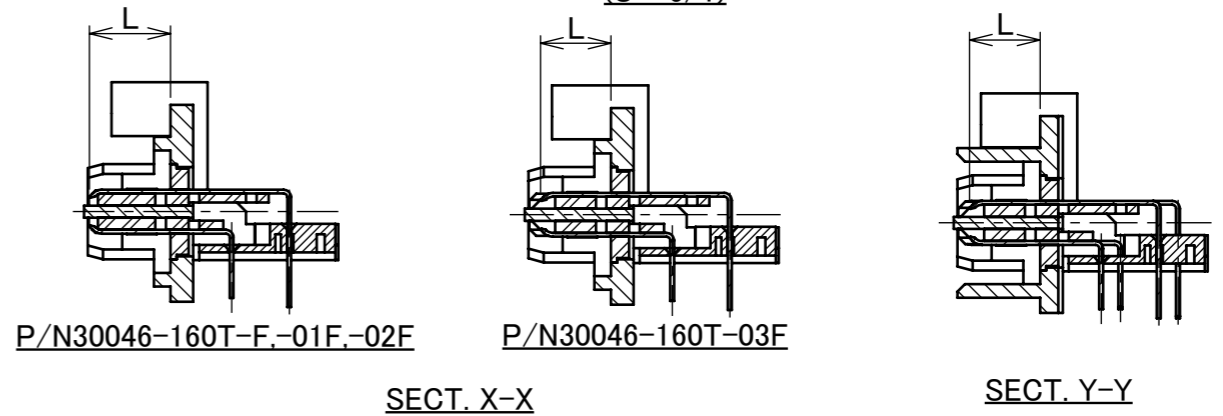
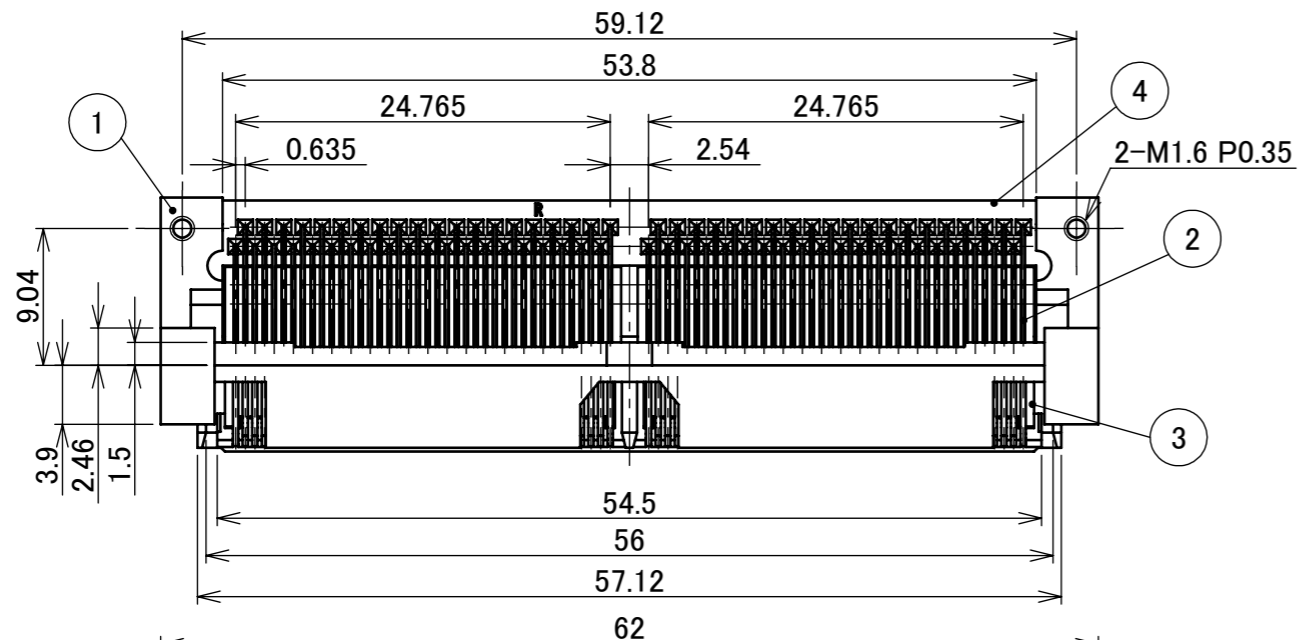


Recommended P/N 30046-160T-F

PART NO.	No. OF POS.	Y (MATING TRAVEL OF C/T)	CIRCUIT No. / L=CONTACT LENGTH		NOTES
			L=5.36	L=4.66	
30046-160T-F	160P	1.4, 2.1	No.1, 2, 79, 80, 81, 82, 159, 160	OTHERS	WITH SCREW
30046-160T-01F					NO SCREW
◆ 30046-160T-02F					WITH SCREW
30046-160T-03F					ALL



◆:MARK MEANS NOT AVAILABLE.

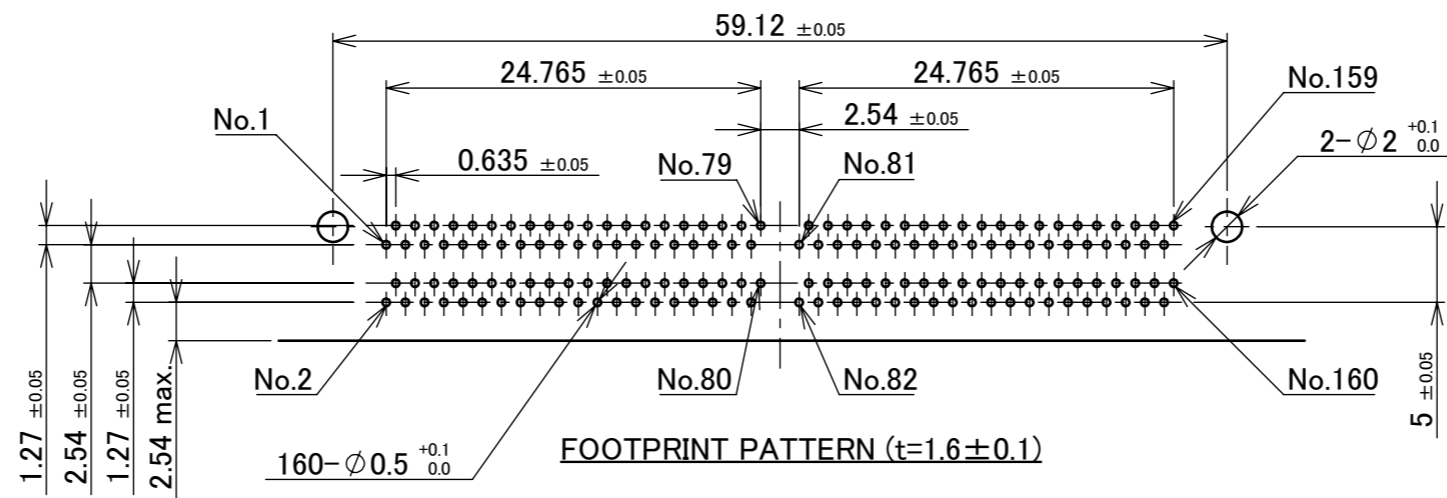


NO.	DESCRIPTION	MATERIAL	FINISH, REMARKS						
4	LOCATOR PLATE	PA	BLACK UL94V-0						
3	PLUG INSULATOR	PPS	BLACK UL94V-0						
2	PLUG CONTACT	COPPER ALLOY	Au PLATING						
1	PLUG SHELL	Zn ALLOY	Ni PLATING						
NO.	DESCRIPTION	MATERIAL	FINISH, REMARKS						
17	Z240688	Y.I Jun./06/'24 M.T	ANGLE ±2° 6 OVER 30 MAX. ±0.3						
16	Z220921	Y.B Aug./16/'22 Y.H	6 MAX. ±0.2 30 OVER 120 MAX. ±0.5						
15	Z220241	M.H Mar./18/'22 Y.H	GENERAL TOLERANCE.						
14	Z191328	IMI Oct./01/'19 Y.S	DWG. DATE T.Takano 1997/03/10						
13	Z180835	R.H June/27/'18 TAK	CHK. T.Harada						
12	Z171490	R.H Dec./25/'17 M.T	APP. K.Katabuchi						
REV.	ECN	BY	DATE	APP.	PROJECTION	SERIES No.	TITLE	SCALE	CUSTOMER COPY
					⊕	R2	MINIDOCK™ Slim Type RIGHT ANGLE PLUG	2:1	
								mm	<b>I-PEX</b>
								SIZE SHEET	REV.
							DWG. No. 30046	A3 1/5	17

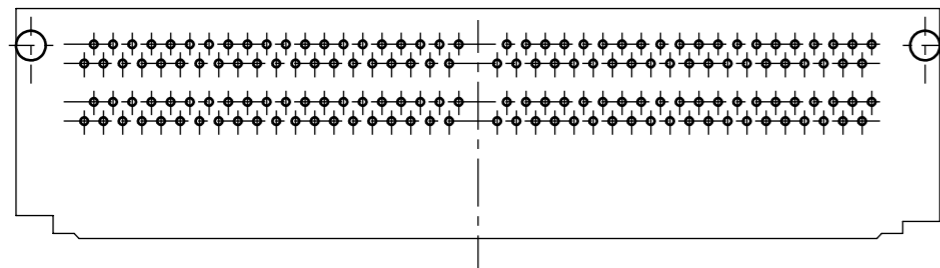
NOTES  
 1. CONNECTOR TO BE MATED : 30047, 30056  
 2. ALLOWANCE DIMENSION OF GUIDE PIN : 0.8 mm

ITEMS	SPECIFICATION
RATING VOLTAGE	250V AC (PER CONTACT PIN)
RATING AMPERAGE (FOR CONTACT)	0.5A AC/DC (PER CONTACT PIN)
OPERATING TEMPERATURE	208~358K(-65°C~+85°C)
OPERATING HUMIDITY	85% MAX.
CONTACT RESISTANCE (FOR CONTACT)	INITIAL : 70mohm MAX. / AFTER TEST : $\leq$ 25mohm MAX.
INSULATION RESISTANCE	INITIAL : 10,000Mohm MIN. / AFTER TEST : 1,000MIN.
DIELECTRIC WITHSTANDING VOLTAGE	AC500V 1min
DURABILITY	5,000 CYCLES
MATING FORCE (INITIAL / AFTER TEST)	0.9N/pos. MAX.
UNMATING FORCE (INITIAL / AFTER TEST)	0.059N/pos. MIN.
COPLANARITY	-
PRODUCT SPECIFICATION	PRS-1011
TEST REPORT	TR-9020
PACKING STANDARD	300-106
INSTRUCTION MANUAL	-
APPEARANCE CRITERIA No.	QLS-A***

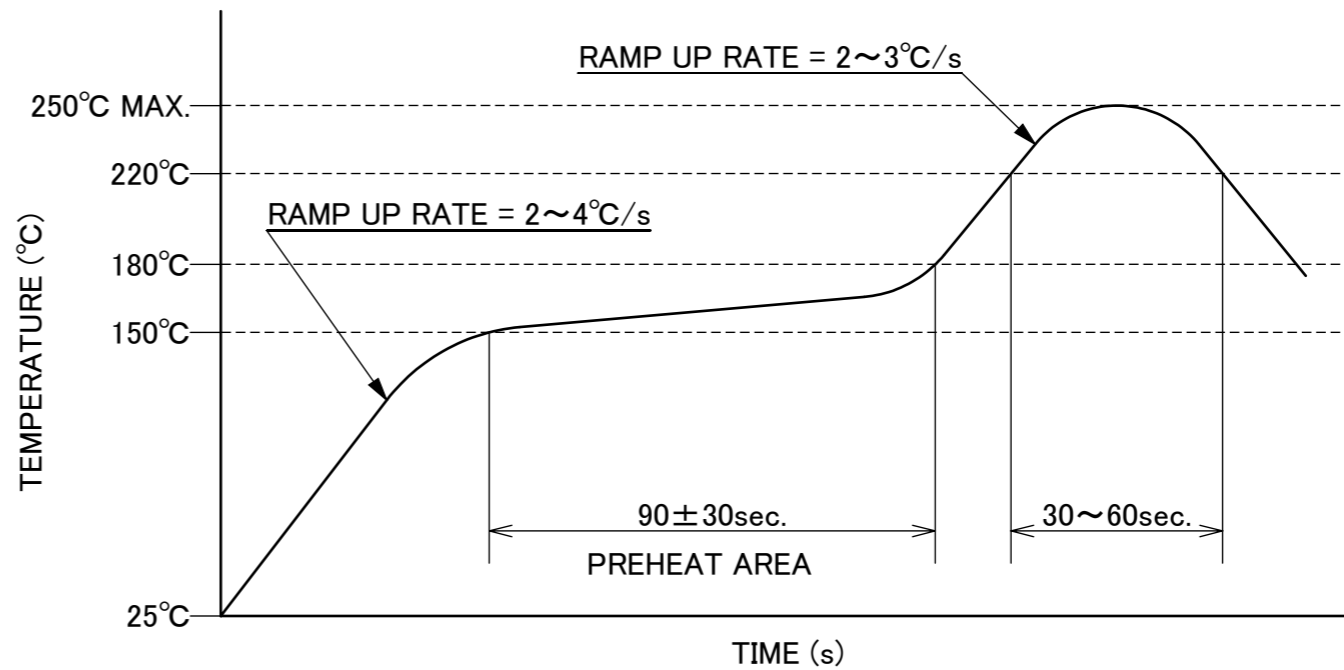
ANGLE	$\pm 2^\circ$	6 OVER 30 MAX.	$\pm 0.3$	PROJECTION 	SERIES No. R2	CUSTOMER COPY		
6 MAX.	$\pm 0.2$	30 OVER 120 MAX.	$\pm 0.5$					
GENERAL TOLERANCE.				TITLE MINIDOCK™ Slim Type RIGHT ANGLE PLUG	SCALE	<b>I-PEX</b>		
DWG.	DATE							
CHK.								
APP.								
				DWG. No.	30046	SIZE	SHEET	REV.
						A3	2/5	17



ANGLE	±2°	6 OVER 30 MAX.	±0.3	PROJECTION ⊕ ▽	SERIES No. R2	CUSTOMER COPY			
6 MAX.	±0.2	30 OVER 120 MAX.	±0.5			SCALE 2:1	<b>I-PEX</b>		
GENERAL TOLERANCE.				TITLE MINIDOCK™ Slim Type RIGHT ANGLE PLUG		UNIT mm			SIZE A3
DWG.	DATE								
CHK.									
APP.									
				DWG. No.	30046				



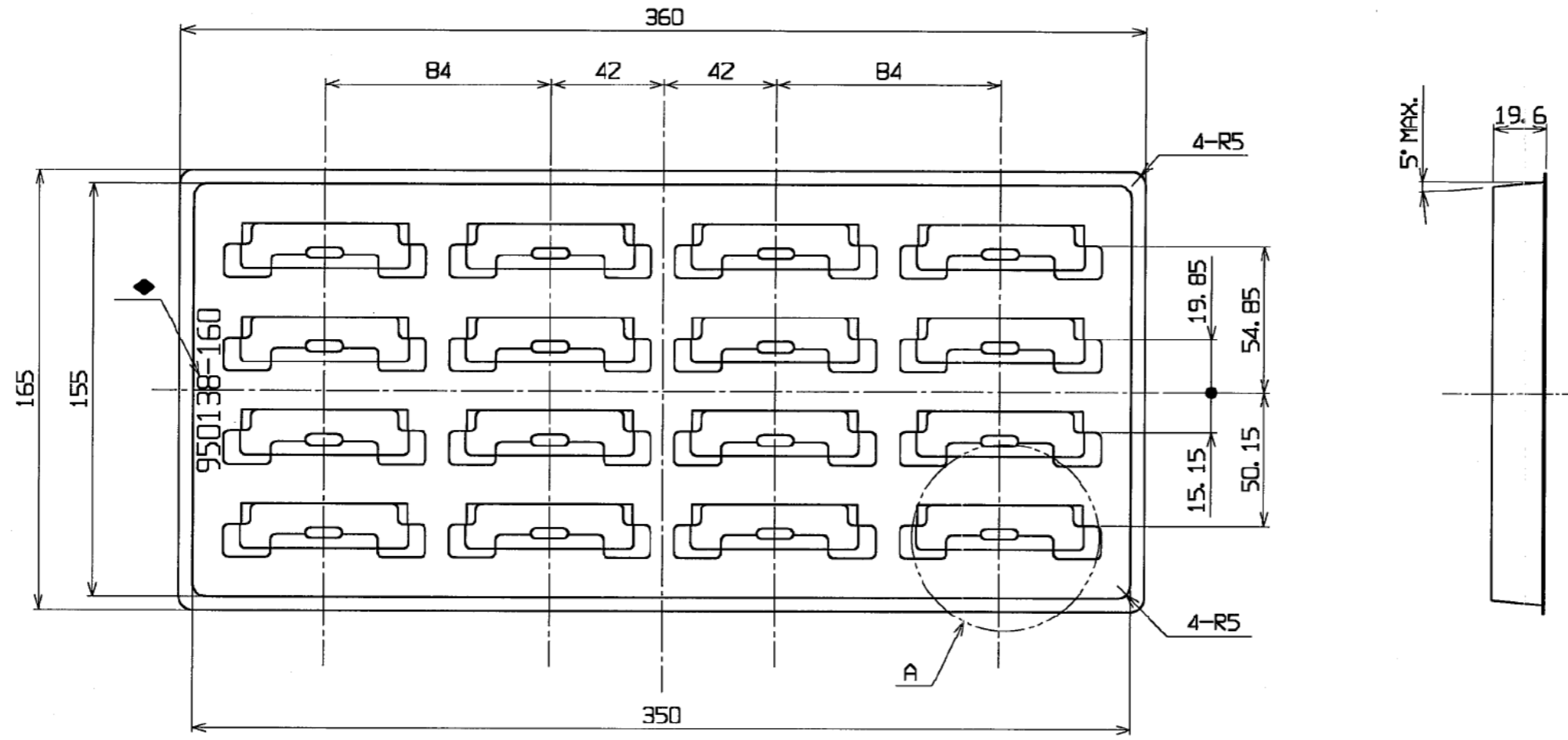
CONNECTOR ON RECOMMENDED FOOTPRINT PATTERN



REFLOW TEMPERATURE PROFILE  
 SENJU METAL INDUSTRY CO., LTD. : M705-SHF(Sn96.5 Ag3.0 Cu0.5)

ANGLE	±2°	6 OVER 30 MAX.	±0.3	PROJECTION 	SERIES No. R2	CUSTOMER COPY		
6 MAX.	±0.2	30 OVER 120 MAX.	±0.5					
GENERAL TOLERANCE.				TITLE MINIDOCK™ Slim Type RIGHT ANGLE PLUG	SCALE 2:1	UNIT <b>I-PEX</b>		
DWG.	DATE							
CHK.								
APP.								
				DWG. No.	30046	SIZE A3	SHEET 4/5	REV. 17

PART NO.	Pos.	QTY. SHIPPING TRAY	QTY. PACKING CARTON
30046-160T-F	160P	16 × 3 = 48	48 × 4 = 192
30046-160T-0*F			



5	TRAY	PET	-
NO.	DESCRIPTION	MATERIAL	FINISH , REMARKS

ANGLE	±2°	6 OVER 30 MAX.	±0.3	PROJECTION ⊕	SERIES No. R2	CUSTOMER COPY
	6 MAX.	±0.2	30 OVER 120 MAX.			
GENERAL TOLERANCE.				TITLE		SCALE
DWG.	DATE			MINIDOCK™ Slim Type RIGHT ANGLE PLUG		1:X
CHK.						UNIT
APP.				DWG. No.		mm
				30046		SIZE
						A3
						SHEET
						5/5
						REV.
						17

Confidential C

I-PEX Inc.

QKE-DFE06-02 REV.12