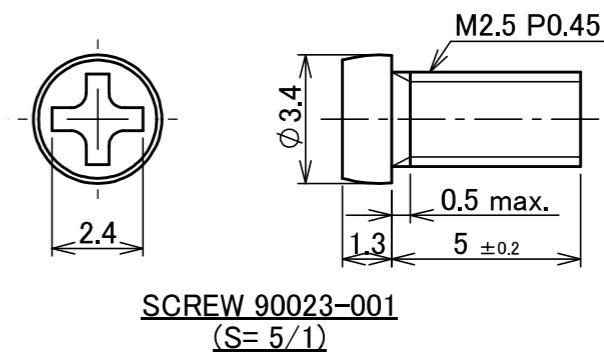
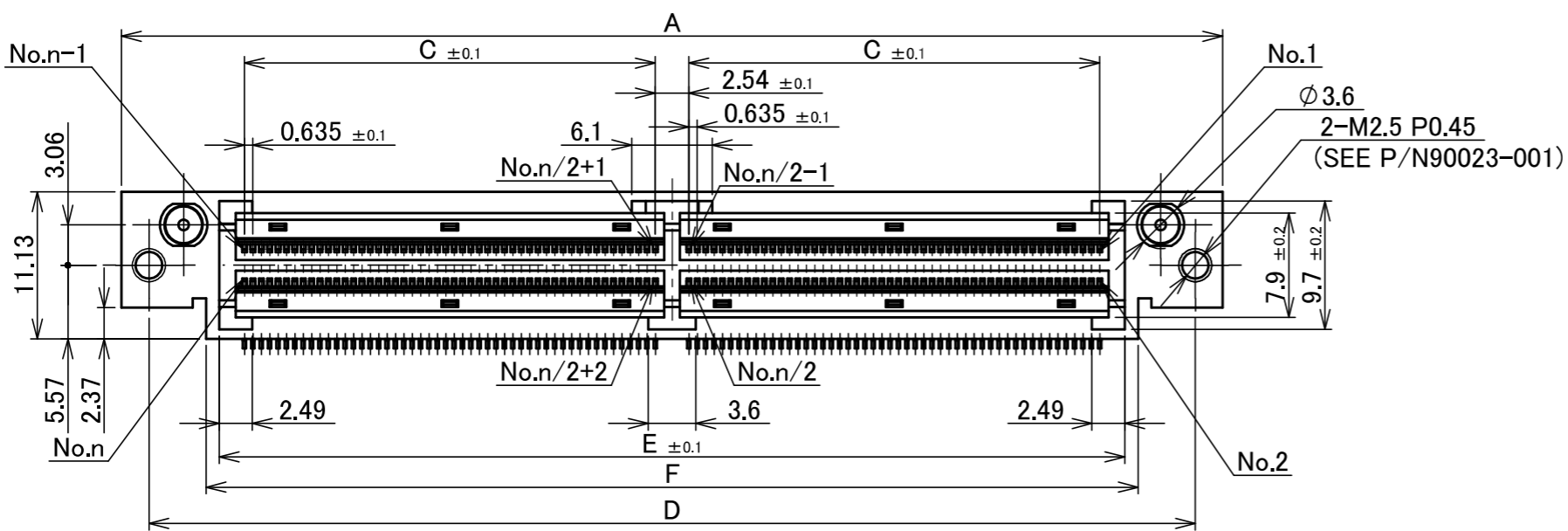
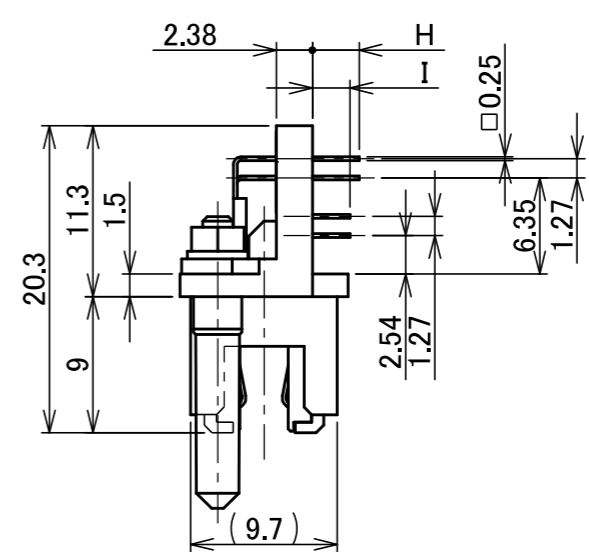
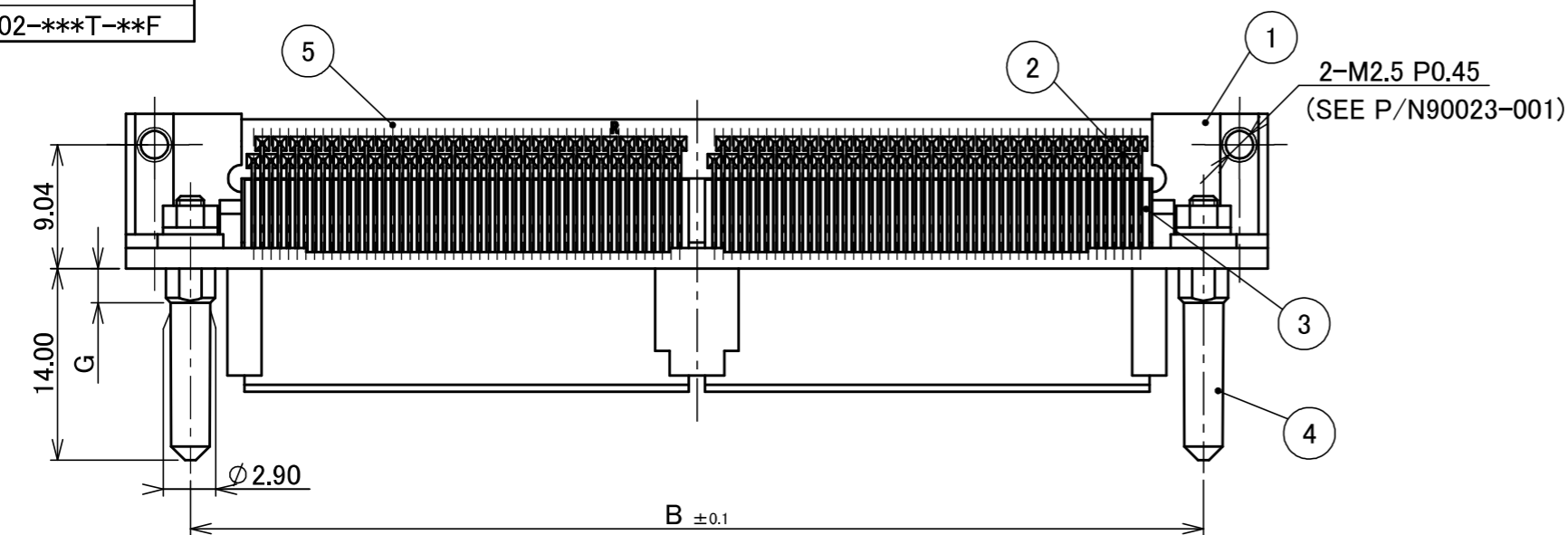


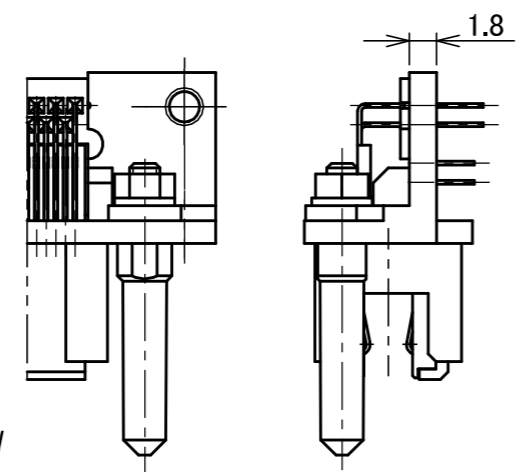
PART No.
30002-***T-***F



RoHS Compliant



SCREW 90023-001
(S= 5/1)



P/N 30002-240T-F.01F

30002-**0T-***F
NONE: WITHOUT SCREW
01: WITH SCREW
EXAMPLE
POS.10 : 100P
24 : 240P

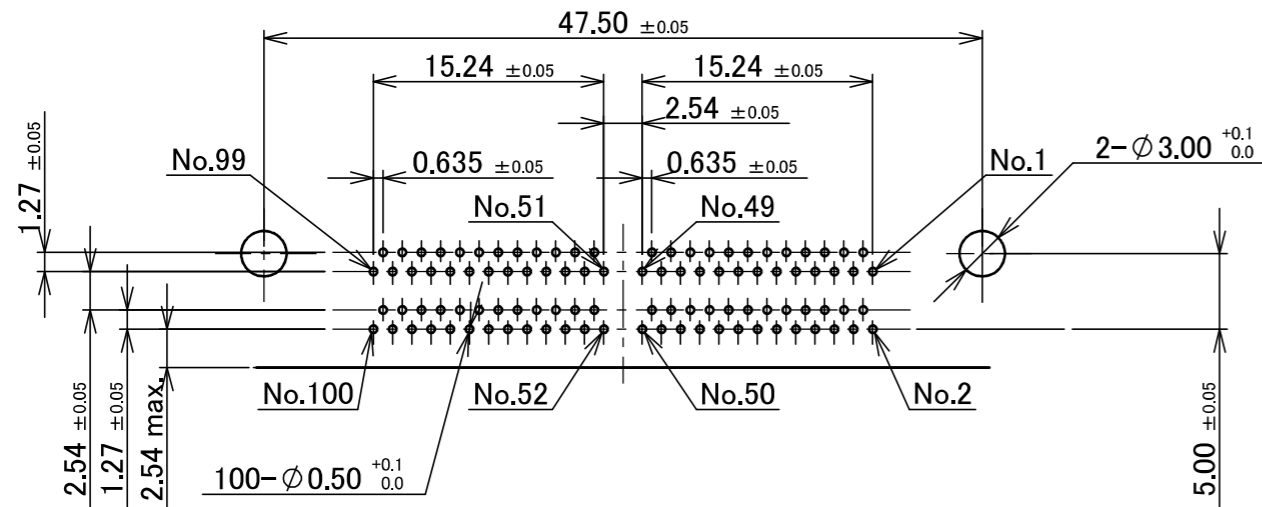
NOTE
1. CONNECTOR TO BE MATED: 30001, 30005

No.	DISCRIPTION	MATERIAL	FINISH, REMARKS
5	LOCATOR PLATE	PA	BLACK UL94V-0
4	GUIDE PIN	STEEL	Ni PLATING
3	RECEPTACLE INSULATOR	PPS	BLACK UL94V-0
2	RECEPTACLE CONTACT	COPPER ALLOY	ALL OVER Ni 1.27 μm MIN. CONTACT PART Au 0.05 μm MIN.
1	RECEPTACLE SHELL	Zn ALLOY	Ni PLATING
REVISION RECORD		Y.Fukuda	
33	Z241576 R.TA Nov./27/'24	S.S ANGLE ±2° 6 OVER 30 MAX. ±0.3	PROJECTION SERIES No. R15 TITLE MINIDOCK™ Standard Type CONNECTOR RIGHT ANGLE RECEPTACLE SCALE 2:1 UNIT mm SIZE A3 SHEET 1/5 REV. 33 CUSTOMER COPY I-PEX
32	Z240688 Y.I Jun./06/'24	M.T 6 MAX. ±0.2 30 OVER 120 MAX. ±0.5	
31	Z231261 T.I Oct./19/'23	Y.H GENERAL TOLERANCE.	
30	Z230123 M.H Feb./22/'22	Y.H DWG. E.Kawabe DATE 1994/06/27	
29	Z220241 M.H Mar./18/'22	Y.H CHK.	
28	Z191328 IMI Oct./01/'19	Y.S APP.	
REV.	ECN BY DATE APP.	DWG. No. 30002	

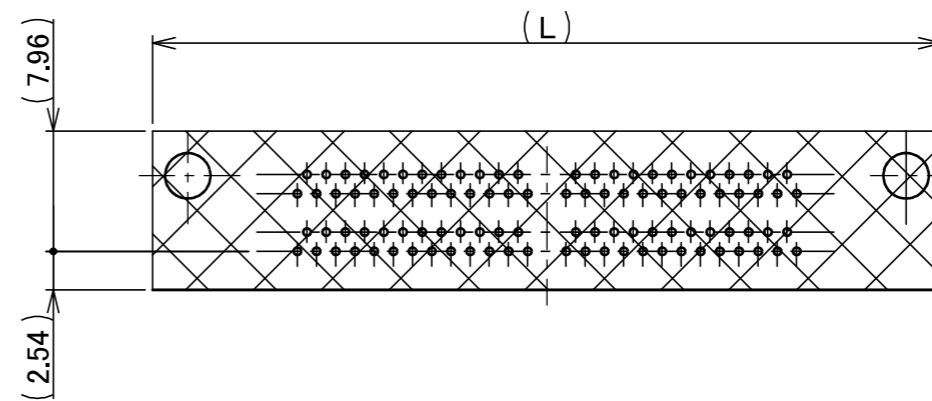
ITEMS	SPECIFICATION
RATING VOLTAGE	250V AC (PER CONTACT PIN)
RATING AMPERAGE (FOR CONTACT)	0.5A AC/DC (PER CONTACT PIN)
OPERATING TEMPERATURE	208~358K(-65°C~+85°C)
OPERATING HUMIDITY	85% MAX.
CONTACT RESISTANCE (FOR CONTACT)	INITIAL : 70mohm MAX. / AFTER TEST : \triangleleft 25mohm MAX.
INSULATION RESISTANCE	INITIAL : 10,000Mohm MIN. / AFTER TEST : 1,000Mohm MIN.
DIELECTRIC WITHSTANDING VOLTAGE	AC500V 1min
DURABILITY	5,000 CYCLES
MATING FORCE (INITIAL)	0.9N/pos. MAX.
UNMATING FORCE (AFTER TEST)	0.059N/pos. MIN.
COPLANARITY	-
PRODUCT SPECIFICATION	PRS-1011
TEST REPORT	TR-9020
PACKING STANDARD	300-015
INSTRUCTION MANUAL	-
APPEARANCE CRITERIA No.	QLS-A***

ANGLE	$\pm 2^\circ$	6 OVER 30 MAX.	± 0.3	PROJECTION 	SERIES No. R15	CUSTOMER COPY	
6 MAX.	± 0.2	30 OVER 120 MAX.	± 0.5				
GENERAL TOLERANCE.				TITLE MINIDOCK™ Standard Type CONNECTOR RIGHT ANGLE RECEPTACLE	SCALE 	I-PEX	
DWG.	DATE						
CHK.							
APP.							
DWG. No.				30002	SIZE A3	SHEET 2/5	REV. 33

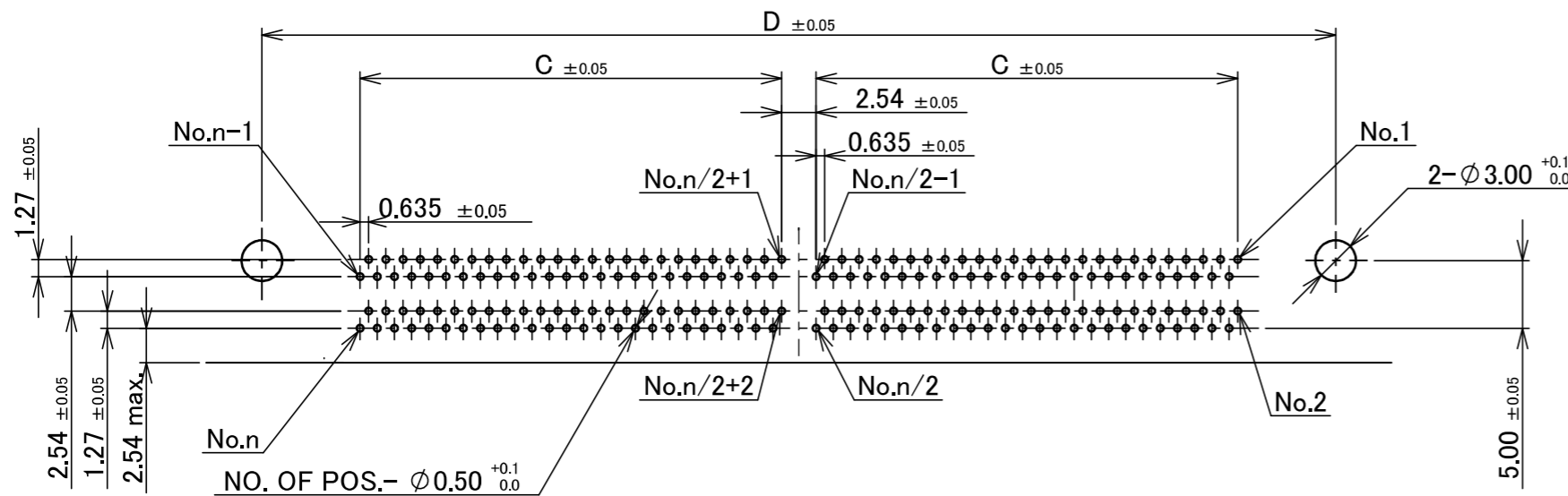
	POS.	A	B	C	D	E	F	G	H	I	J	K	L	NOTE
30002-100T-F	100P	51.65	42.25	15.24	47.50	37.35	38.85	2.50	2.8	2.8	47.52	37.55	52.15	WITHOUT SCREW
30002-240T-F	240P	96.10	86.70	37.465	91.95	81.80	83.30		2.5	3.1	91.95	82.00	96.60	
30002-100T-01F	100P	51.65	42.25	15.24	47.50	37.35	38.85		2.8	2.8	47.52	37.55	52.15	WITH SCREW
30002-240T-01F	240P	96.10	86.70	37.465	91.95	81.80	83.30	5.30	2.5	3.1	91.95	82.00	96.60	



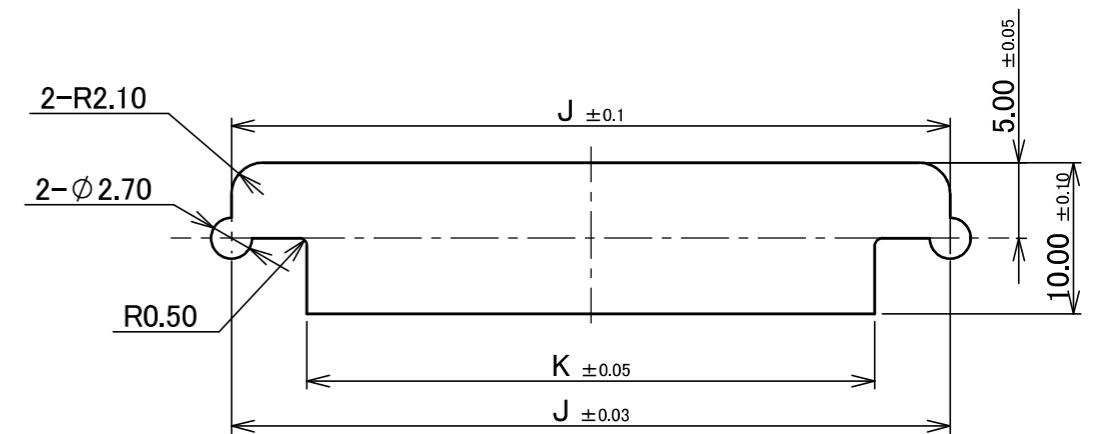
RECOMMENDED FOOTPRINT PATTERN $t=1.6\pm0.1$ (100P ONLY)



DO NOT MOUNT ANY OTHER COMPONENTS IN THIS AREA



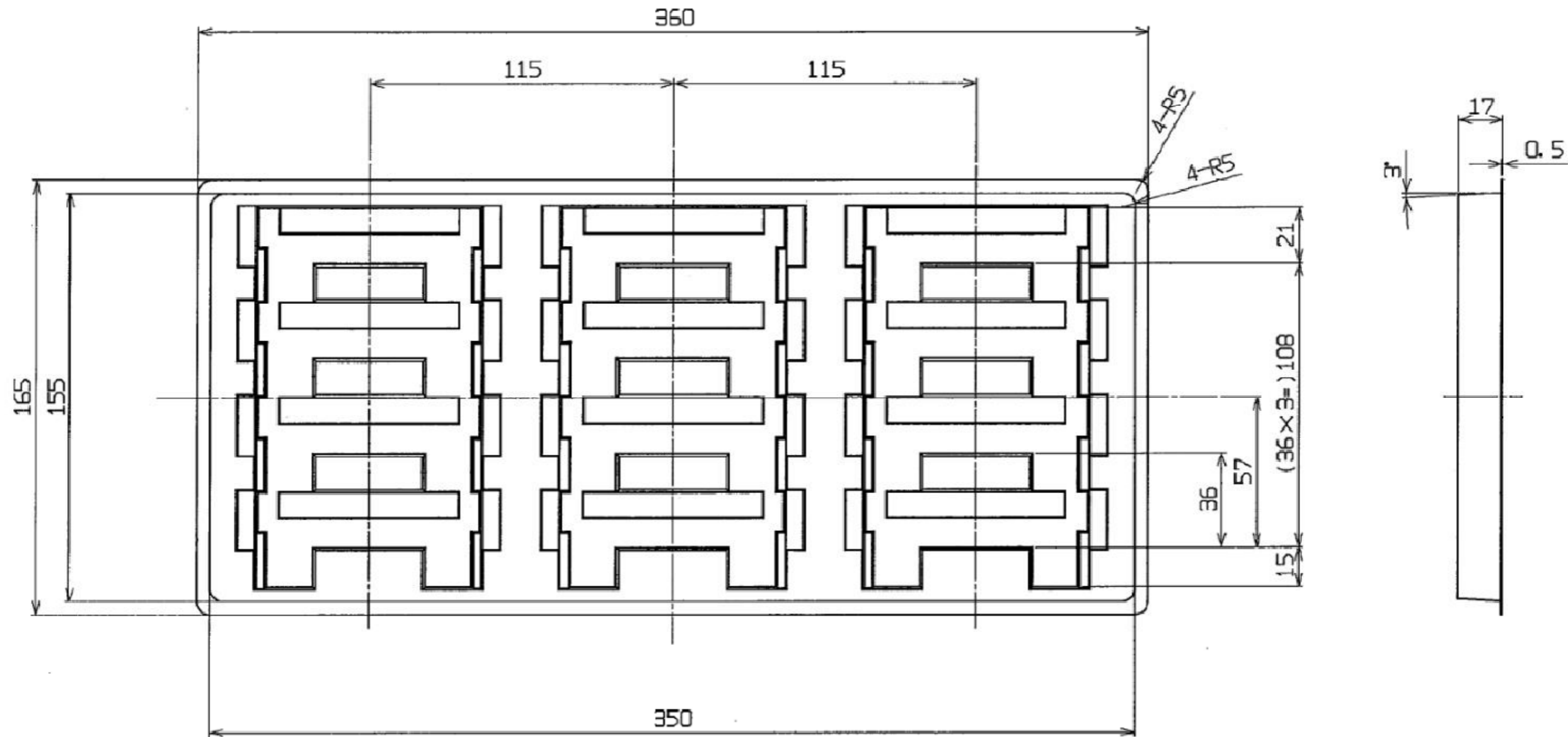
RECOMMENDED FOOTPRINT PATTERN $t=1.6\pm0.1$ (OTHERS)



RECOMMENDED OPENING FOR MOUNTING BRACKET

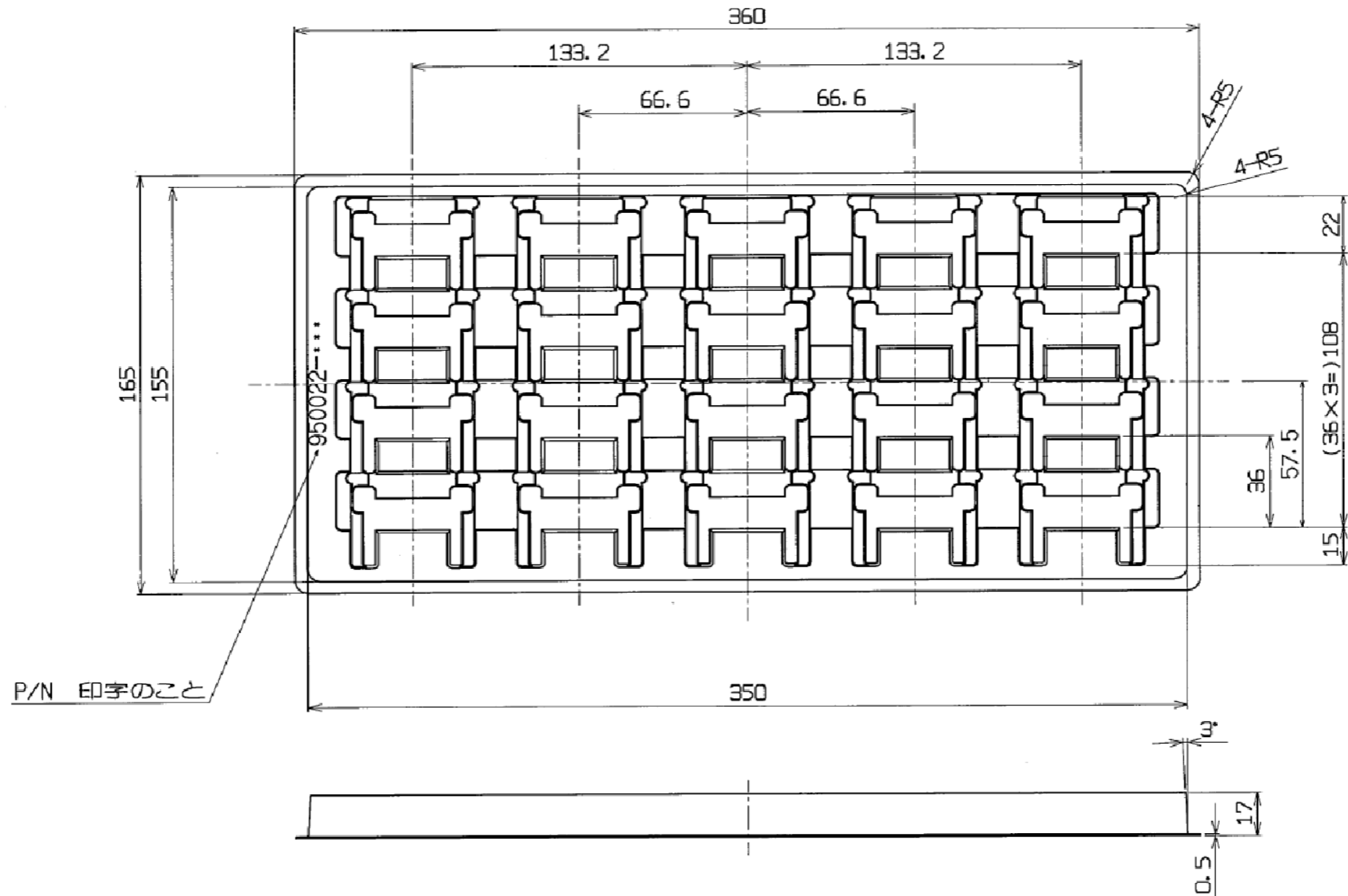
ANGLE	$\pm 2^\circ$	6 OVER 30 MAX.	± 0.3	PROJECTION	SERIES No.	CUSTOMER COPY	
	6 MAX.	± 0.2	30 OVER 120 MAX.	± 0.5	R15		
GENERAL TOLERANCE.				TITLE	SCALE		
DWG.	DATE			MINIDOCK™ Standard Type	2:1		
CHK.				CONNECTOR	UNIT		
APP.				RIGHT ANGLE	mm		
				RECEPTACLE	SIZE	SHEET	REV.
				DWG. No.	30002	A3	3/5
							33

PART No.	POS.	QTY./ TRAY	QTY./ SHIPPING CARTON	QTY./ PACKING CARTON
30002-240T-F	240P	12	12 × 5 = 60	60 × 4 = 240
30002-240T-01F				



No.	DISCRIPTION	MATERIAL	FINISH , REMARKS
7	TRAY	PVC	-
ANGLE	±2° 6 OVER 30 MAX.	±0.3	PROJECTION ⊕ ◁
6 MAX.	±0.2 30 OVER 120 MAX.	±0.5	
GENERAL TOLERANCE.		TITLE	SERIES No.
DWG.	DATE	MINIDOCK™ Standard Type CONNECTOR RIGHT ANGLE RECEPTACLE	R15
CHK.			SCALE
APP.			1:X
			UNIT
		DWG. No.	mm
		30002	mm
			SIZE
			A3
			SHEET
			4/5
			REV.
			33

PART NO.	Pos.	QTY./ TRAY	QTY./ SHIPPING CARTON	QTY./ PACKING CARTON
30002-100T-F	100P	20	20 × 5 = 100	100 × 4 = 400
30002-100T-01F				



NO.	DISCRIPTION	MATERIAL	FINISH , REMARKS
8	TRAY	PVC	-
ANGLE	±2° 6 OVER 30 MAX.	±0.3	PROJECTION SERIES No. R15 CUSTOMER COPY
6 MAX.	±0.2 30 OVER 120 MAX.	±0.5	
GENERAL TOLERANCE.		TITLE	SCALE
DWG.	DATE	MINIDOCK™ Standard Type	1:X
CHK.		CONNECTOR	UNIT
APP.		RIGHT ANGLE	mm
		RECEPTACLE	SIZE
		DWG. No.	A3
		30002	SHEET
			5/5
			REV.
			33