

Recommended P/N 90577-****

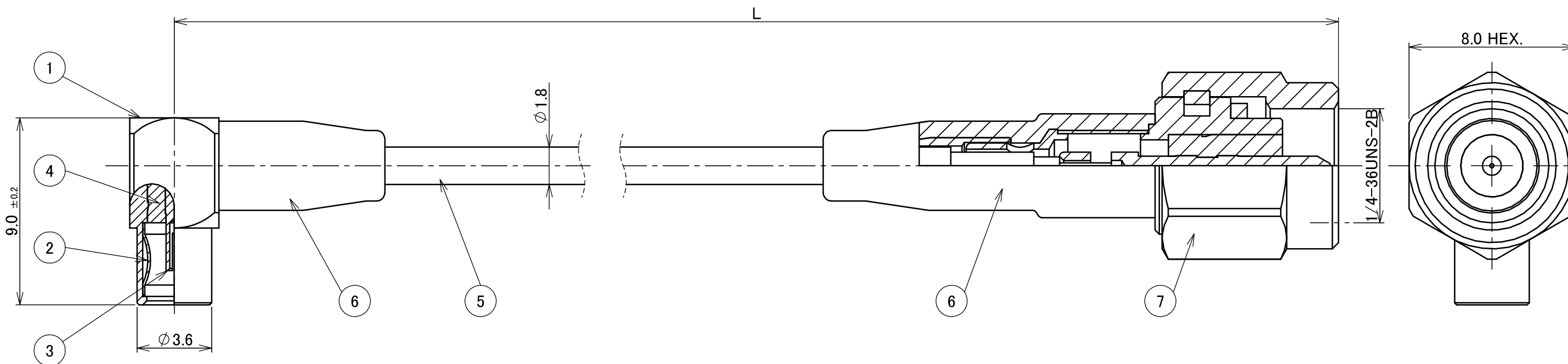
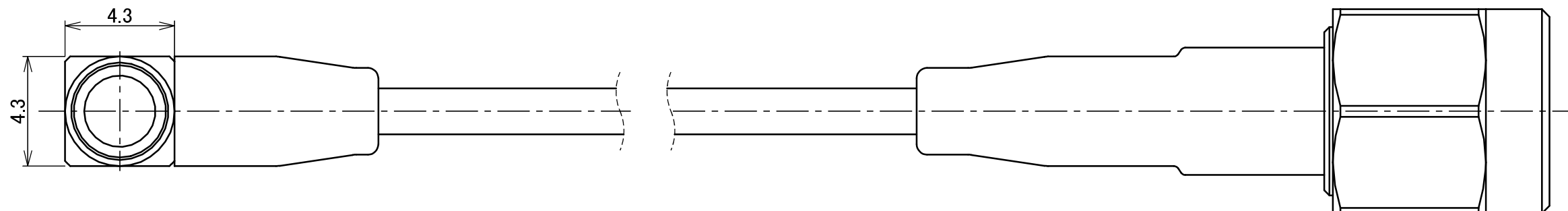
PART NO.	L (mm)
90577-0100	100 ⁺¹⁰ / ₀
90577-0200	200 ⁺¹⁰ / ₀
90577-0350	350 ⁺²⁰ / ₀
90577-0750	750 ⁺³⁰ / ₀



Halogen Free



RoHS Compliant



7	SMA-PLUG	-										
6	HEAT SHRINKABLE TUBE	-										
5	COAXIAL CABLE	-	BROWN									
4	INSULATOR	PTFE										
3	SOCKET CONTACT	BERYLLIUM COPPER	ALL OVER Ni Au 0.8 μm MIN.									
2	DRUM SPRING	BERYLLIUM COPPER	Au 0.3 μm									
1	SHELL	BRASS	Ni 1.0 μm MIN.									
NO.	DESCRIPTION	MATERIAL	FINISH, REMARKS									
12	Z240050	H.T	2024/01/15	Yufu	ANGLE	±2°	6 OVER 30 MAX.	±0.3	PROJECTION ⊕	SERIES No. R1	CUSTOMER COPY	
11	Z231185	H.T	2023/09/28	Y.H	6 MAX.	±0.2	30 OVER 120 MAX.	±0.5				
10	Z211527	K.W	2021/12/13	M.T	GENERAL TOLERANCE.			TITLE MHF® SERIES N45 C TO SMA ADAPTER CABLE	SCALE 5:1	UNIT mm	I-PEX	
9	Z190618	K.I	2019/05/08	Y.H	DWG.	DATE						
8	Z190283	Y.I	2019/02/27	Y.H	K.Nisiyama		2012/03/12					
7	Z151404	Yufu	2015/12/08	Ken	CHK.	-						
REV.	ECN	BY	DATE	APP.	APP.	E.Kawabe		DWG. No.	90577	SIZE	SHEET	REV.
REVISION RECORD						E.Kawabe		90577	A3	1/3	12	

NOTES

1. APPLICATIONS

MHF RECEPTACLE HIGH CYCLE N45 C ADAPTER
(PART NO. 90575-0001)

MHF 4 RECEPTACLE HIGH CYCLE N45 C ADAPTER
(PART NO. 90576-0001)

MHF 5 RECEPTACLE HIGH CYCLE N45 C ADAPTER
(PART NO. 90847-0001)

Recommended P/N 90577-J***

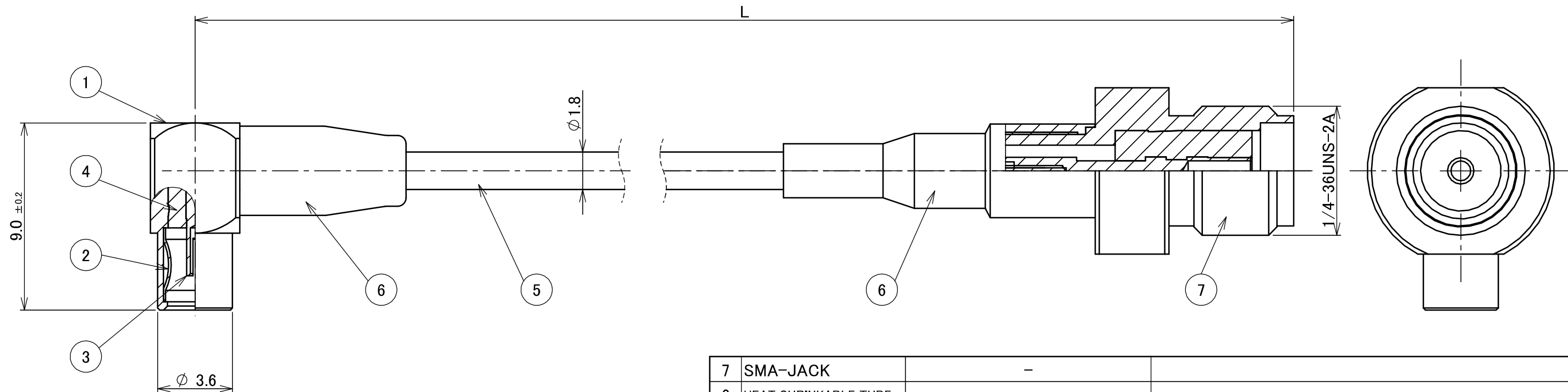
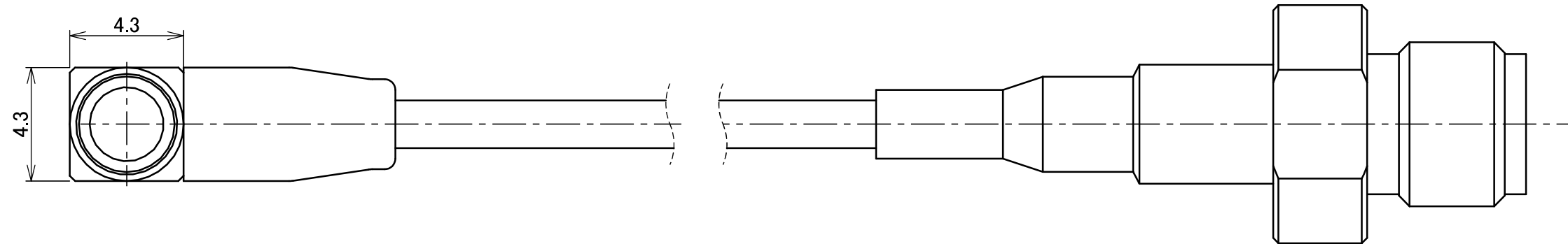
PART NO.	L (mm)
90577-J100	100 ⁺¹⁰ / ₀
90577-J150	150 ⁺¹⁰ / ₀
90577-J350	350 ⁺²⁰ / ₀



Halogen Free



RoHS Compliant



7	SMA-JACK	-	
6	HEAT SHRINKABLE TUBE	-	
5	COAXIAL CABLE	-	BROWN
4	INSULATOR	PTFE	
3	SOCKET CONTACT	BERYLLIUM COPPER	ALL OVER Ni Au 0.8 μm MIN.
2	DRUM SPRING	BERYLLIUM COPPER	Au 0.3 μm
1	SHELL	BRASS	Ni 1.0 μm MIN.
NO.	DESCRIPTION	MATERIAL	FINISH , REMARKS

NOTES

1. APPLICATIONS

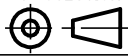

MHF RECEPTACLE HIGH CYCLE N45 C ADAPTER
(PART NO. 90575-0001)

MHF 4 RECEPTACLE HIGH CYCLE N45 C ADAPTER
(PART NO. 90576-0001)

MHF 5 RECEPTACLE HIGH CYCLE N45 C ADAPTER
(PART NO. 90847-0001)

					ANGLE	±2°	6 OVER 30 MAX.	±0.3	PROJECTION ⊕	SERIES No. R1	CUSTOMER COPY	
						6 MAX.	±0.2	30 OVER 120 MAX.				±0.5
					GENERAL TOLERANCE.				TITLE MHF® SERIES N45 C TO SMA ADAPTER CABLE	SCALE	I-PEX	
					DWG.	DATE				5:1		
					CHK.					UNIT		
REV.	ECN	BY	DATE	APP.	APP.				mm	SIZE	SHEET	REV.
REVISION RECORD								DWG. No.	90577	A3	2/3	12

ITEMS	SPECIFICATION
APPLICATION (REPRESENTATIVE)	MHF I RECEPTACLE HIGH CYCLE N45 C ADAPTER (PART NO. 90575-0001) MHF 4 RECEPTACLE HIGH CYCLE N45 C ADAPTER (PART NO. 90576-0001) MHF 5 RECEPTACLE HIGH CYCLE N45 C ADAPTER (PART NO. 90847-0001)
OPERATING TEMPERATURE	243 ~ 343 K (-40°C~+70°C)
OPERATING HUMIDITY	85% MAX.(NON-CONDENSING)
SPEC	MHF I : SEE DWG No.90575 MHF 4 : SEE DWG No.90576 MHF 5 : SEE DWG No.90847
DURABILITY	100 CYCLES MAX.
PACKING STANDARD	PST-12054
APPEARANCE CRITERIA No.	QLS-A***

ANGLE	±2°	6 OVER 30 MAX.	±0.3	PROJECTION 	SERIES No. R1	CUSTOMER COPY		
6 MAX.	±0.2	30 OVER 120 MAX.	±0.5					
GENERAL TOLERANCE.				TITLE MHF® SERIES N45 C TO SMA ADAPTER CABLE	SCALE 5:1 UNIT mm			
DWG.	DATE							
CHK.								
APP.								
				DWG. No.	90577	SIZE A3	SHEET 3/3	REV. 12