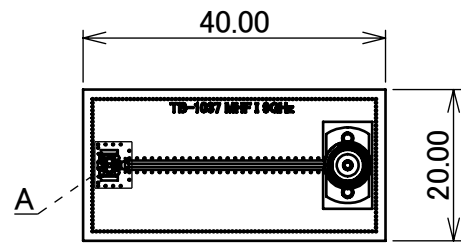
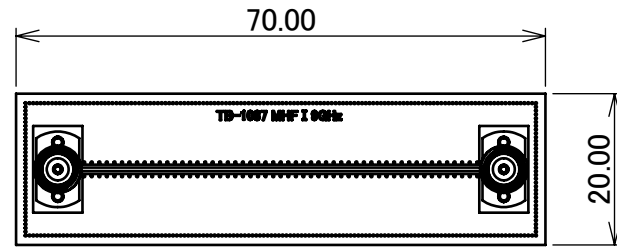


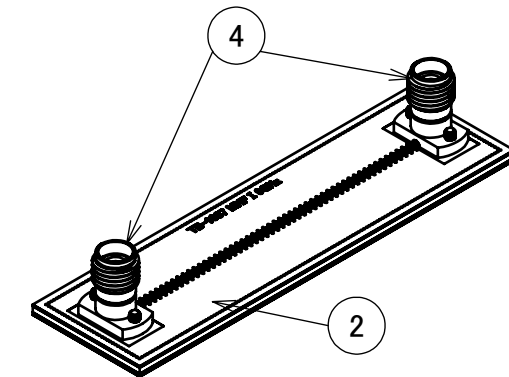
PART No.	STRUCTURE
91604-001B-001	TEST BOARD ASSEMBLY: 2PCS. THRU BOARD ASSEMBLY: 1PC.



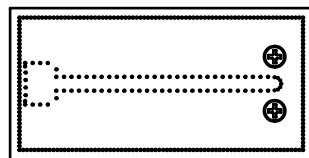
TEST BOARD ASSEMBLY (TOP)



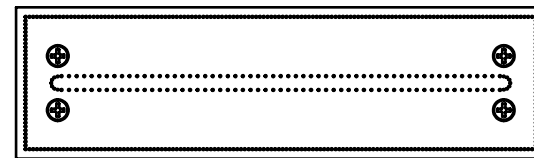
THRU BOARD ASSEMBLY (TOP)



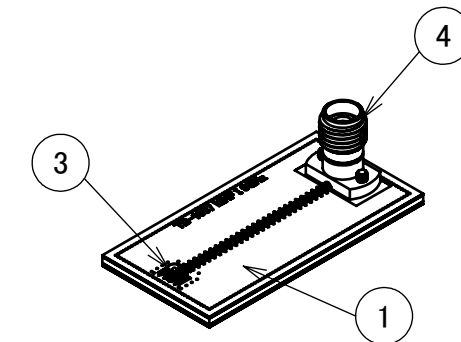
THRU BOARD ASSEMBLY



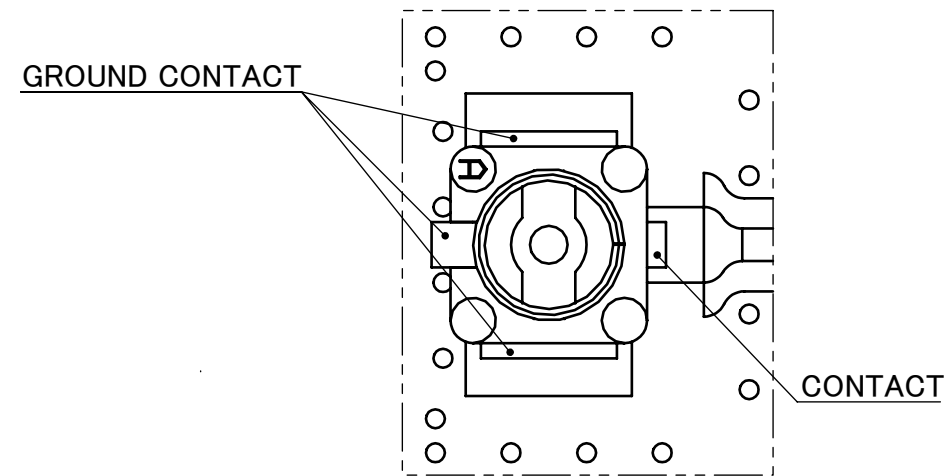
TEST BOARD ASSEMBLY (BOTTOM)



THRU BOARD ASSEMBLY (BOTTOM)



TEST BOARD ASSEMBLY



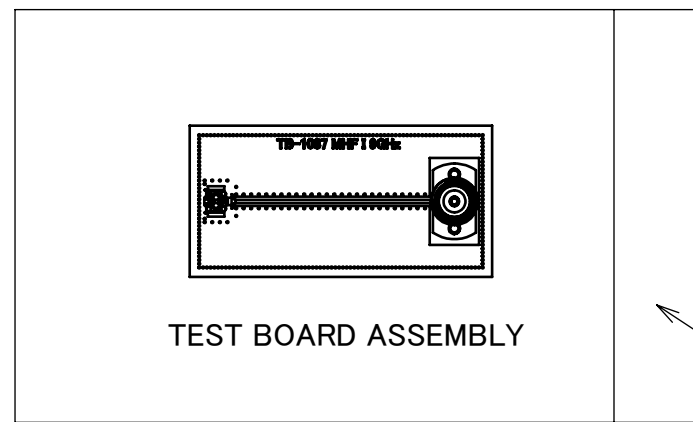
DETAIL A
S= 10 : 1

NOTE

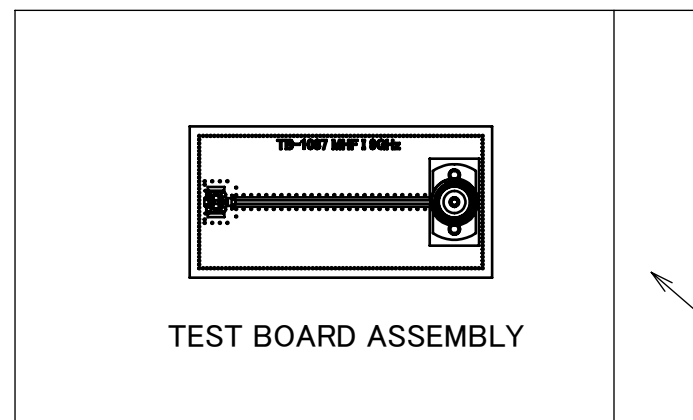
- FOR DETAILED INFORMATION ON THE STRUCTURE OF TEST BOARD TB-1037, REFER TO REPORT #IER-001-10706.
- CHARACTERISTIC IMPEDANCE: 50 Ω (SINGLE-ENDED).
- MAXIMUM MEASUREMENT FREQUENCY: 9 GHz

No.	DESCRIPTION	PART No.	QTY.	REMARK
4	2.92mm CONNECTOR	50105-J001	4	JACK
3	CONNECTOR	20279-001E-03	2	MHF I RECEPTACLE
2	THRU BOARD	TB-1037	1	BOARD THICKNESS : 1.72mm
1	TEST BOARD	TB-1037	2	BOARD THICKNESS : 1.72mm

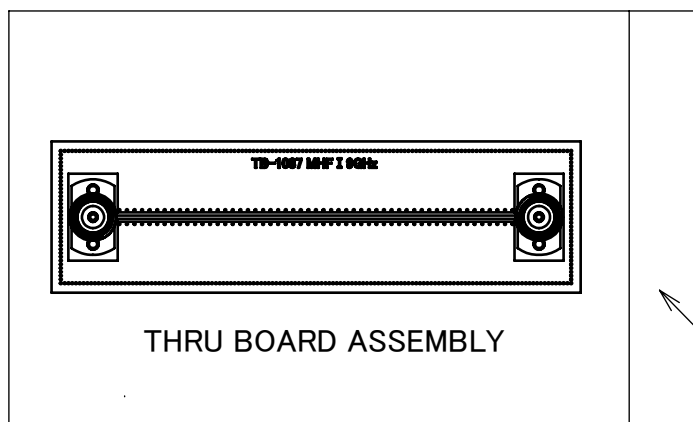
ANGLE	±2°	6 OVER 30 MAX.	±0.3	PROJECTION ⊕	SERIES No. R1R9R0	CUSTOMER COPY
	6 MAX.	±0.2	30 OVER 120 MAX.			
GENERAL TOLERANCE.				TITLE MHF® I SI TEST BOARD ASSEMBLY	SCALE 5:1	UNIT mm
DWG.	M.Toida		DATE 2024/08/29			
CHK.	-			DWG. No. 91604	SIZE A3	SHEET 1/2
REV.	ECN	BY	DATE			
REVISION RECORD				K.Yufu		



<SMALL BAG>
REUSABLE PLASTIC BAG

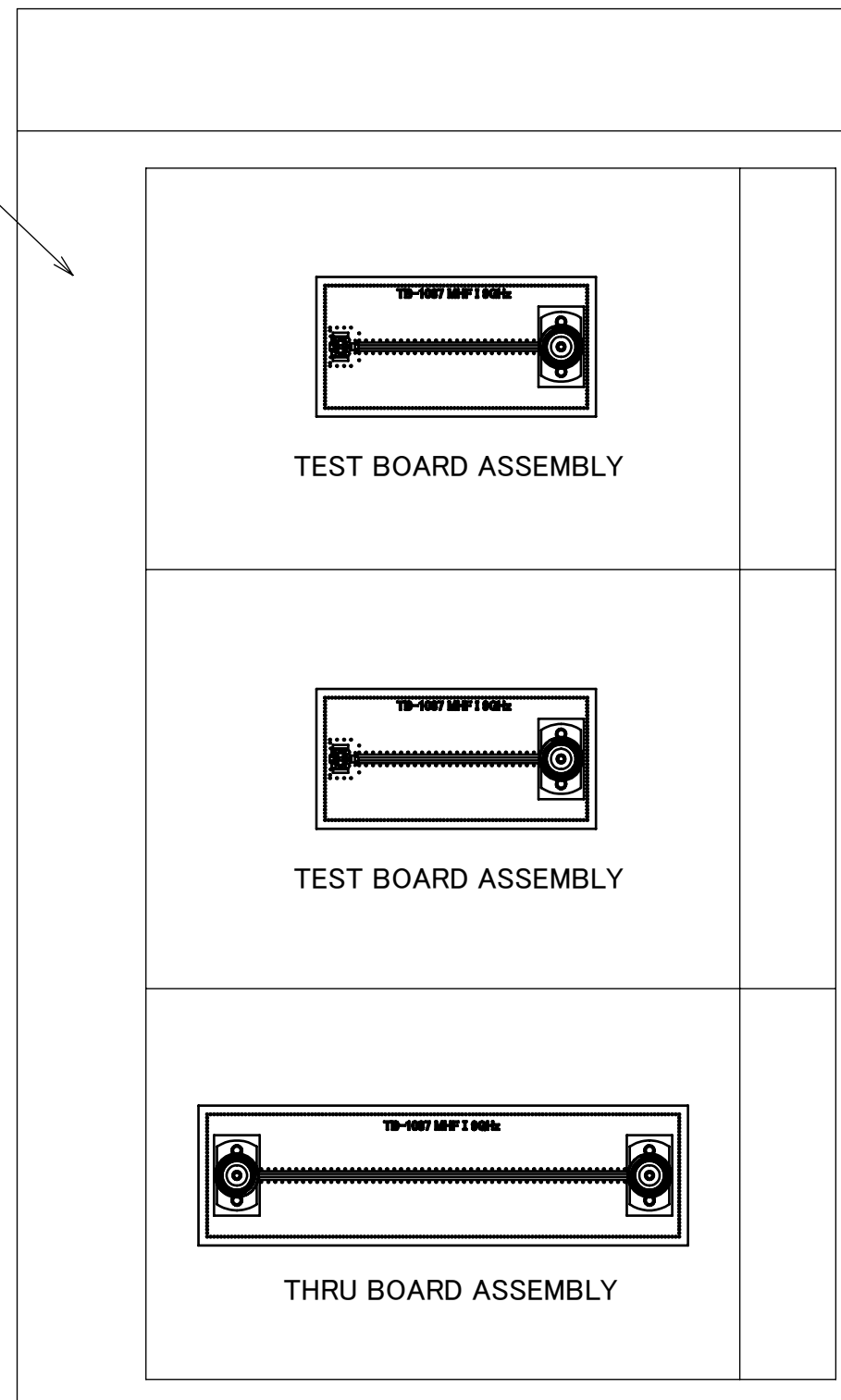


<SMALL BAG>
REUSABLE PLASTIC BAG



<SMALL BAG>
REUSABLE PLASTIC BAG

<LARGE BAG>
REUSABLE PLASTIC BAG



PACKING STYLE

ANGLE	$\pm 2^\circ$	6 OVER 30 MAX.	± 0.3	PROJECTION	SERIES No.	CUSTOMER COPY	
6 MAX.	± 0.2	30 OVER 120 MAX.	± 0.5		R1R9R0		
GENERAL TOLERANCE.				TITLE	SCALE	I-PEX	
DWG.	DATE			MHF [®] I SI TEST BOARD ASSEMBLY	1:1		
CHK.				DWG. No.	UNIT		
APP.				91604	mm	SIZE	SHEET
					A3	2/2	REV.
							0