

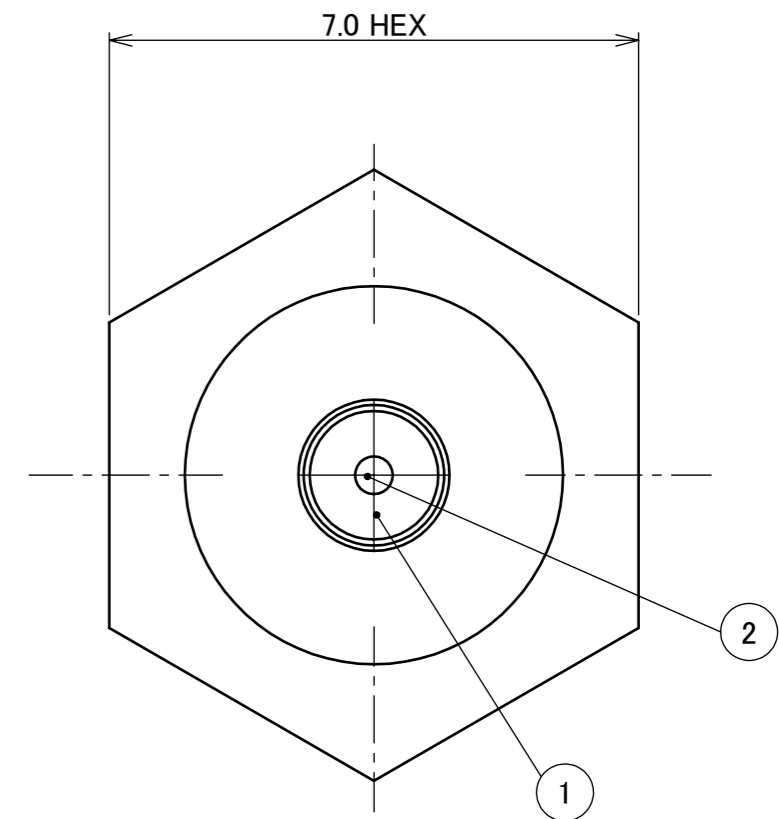
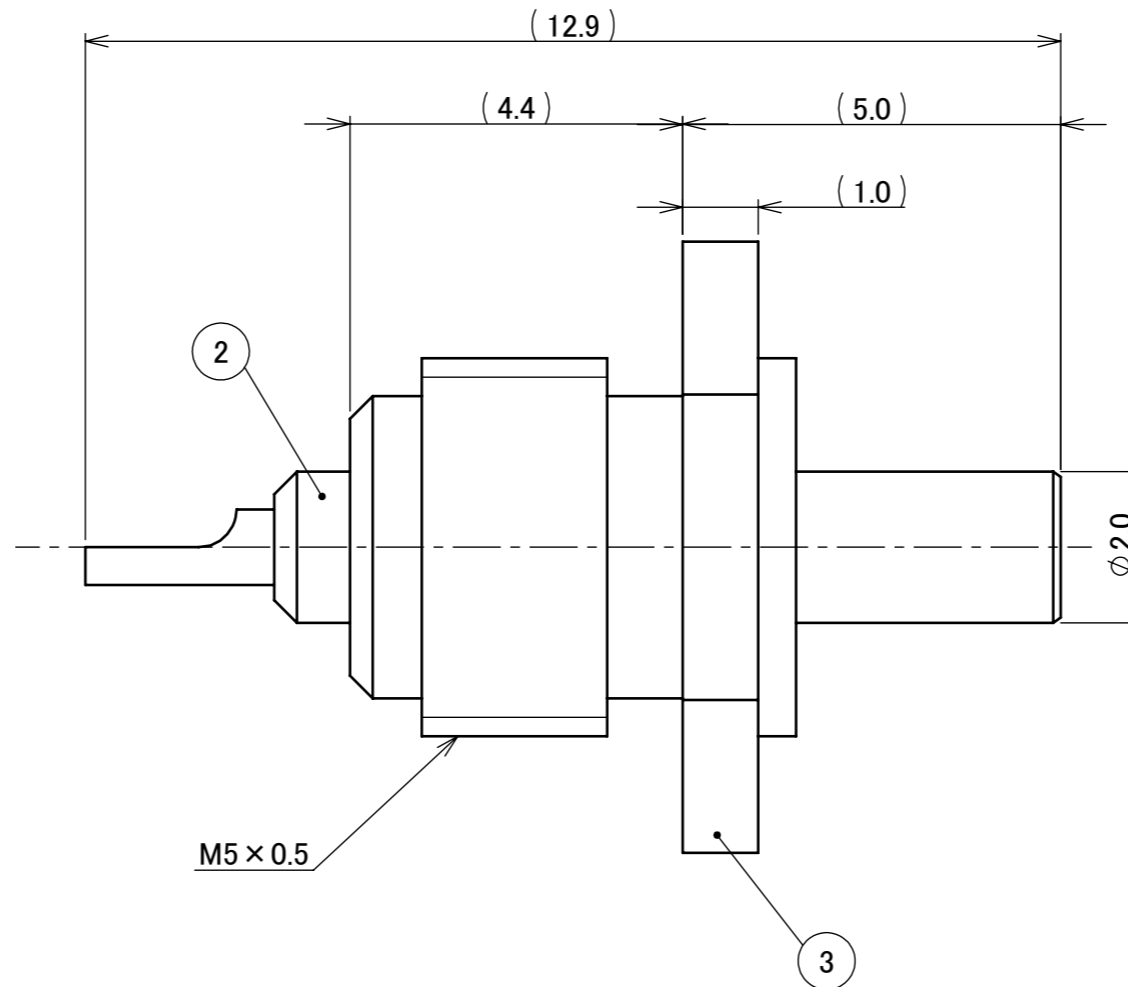
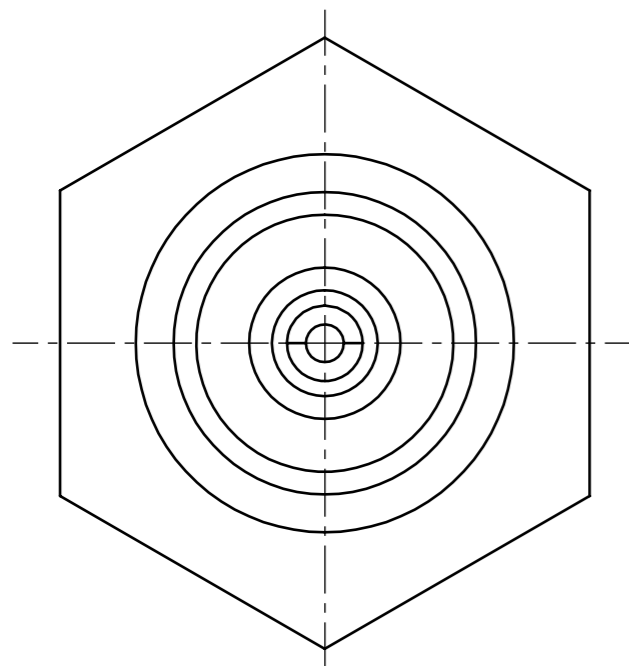
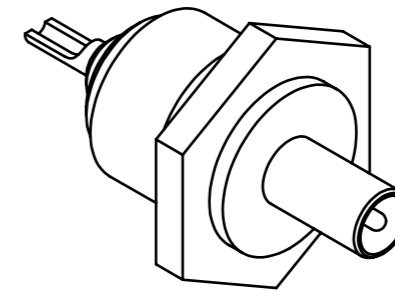
PART NO.
90194-001



Halogen Free



RoHS Compliant



NOTES.

1.APPLICABLE CONNECTOR

P/N: 20278-11\*R-\*\*, 20308-\*\*\*R-\*\*, 20351-\*\*\*R-37,  
20631-\*\*\*R-\*\*, 20670-001R-\*\*, 20767-001R-20

2.THIS CONNECTOR IS FOR SHORT CIRCUIT INSPECTION  
AND DIELECTRIC WITHSTANDING VOLTAGE INSPECTION.

3	SHELL	STAINLESS STEEL	Au 0.3 μm MIN. OVER Ni 1.0 μm MIN.	
2	CONTACT	BRASS	Au 1.0 μm MIN. OVER Ni 1.0 μm MIN.	
1	INSULATOR	FLUORINE PLASTICS		
NO.	DESCRIPTION	MATERIAL	FINISH , REMARKS	
			ANGLE	±2° 6 OVER 30 MAX. ±0.3
				6 MAX. ±0.2 30 OVER 120 MAX. ±0.5
3	Z241407	TOI	2024/10/09	Yufu
2	Z190562	K.I	2019/04/25	Y.H
1	Z2020	K.O	2002/01/25	E.K
0	Z1214	K.O	2001/10/01	-
REV.	ECN	BY	DATE	APP.
				K.Katabuchi

PROJECTION		SERIES No.	CUSTOMER COPY
		R1	
TITLE		SCALE	<b>I-PEX</b>
MHF® I PLUG INSPECTION CONNECTOR		10:1	
DWG. No. 90194		UNIT	
		mm	
		SIZE	
		A3	
		SHEET	
		1/1	
		REV.	
		3	