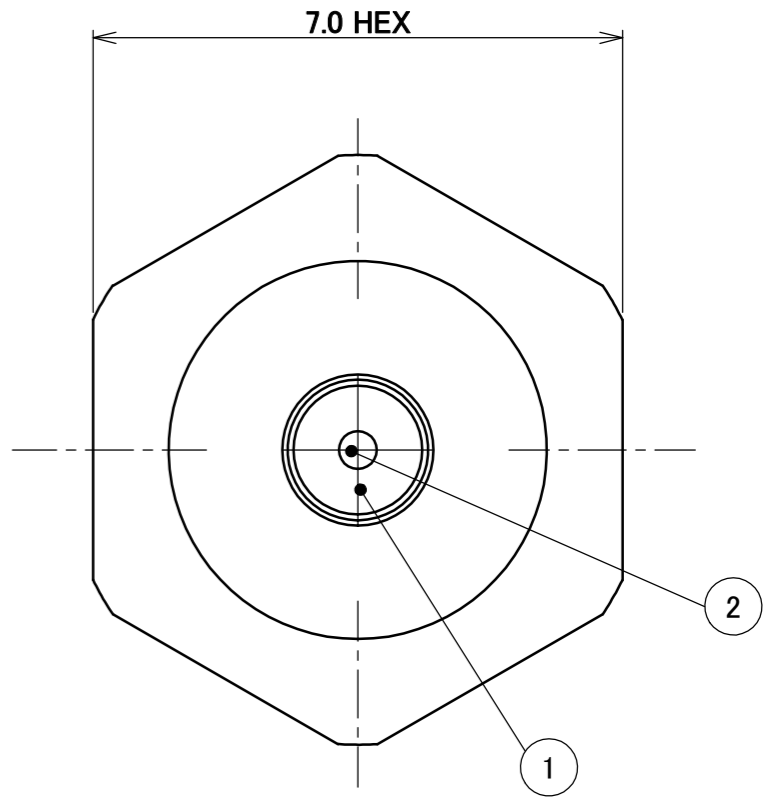
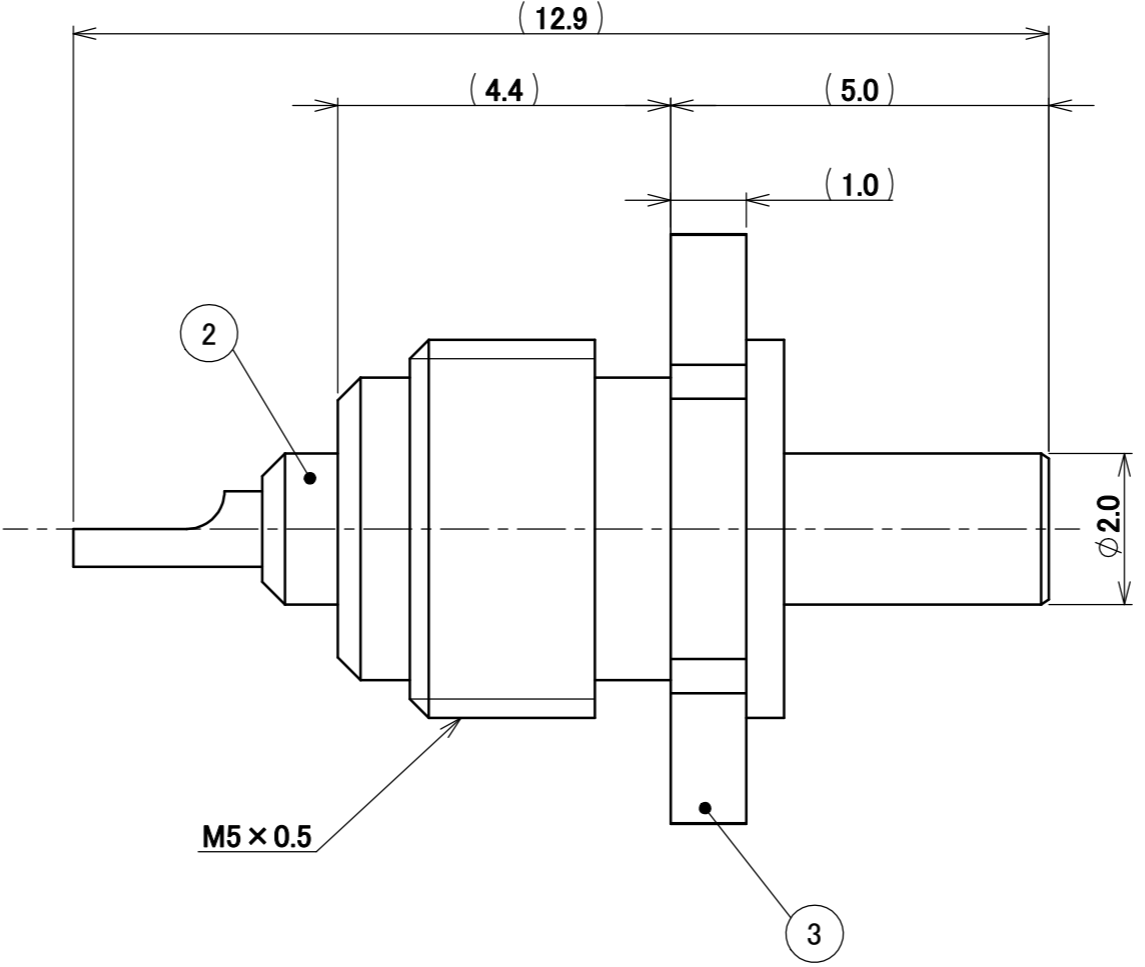
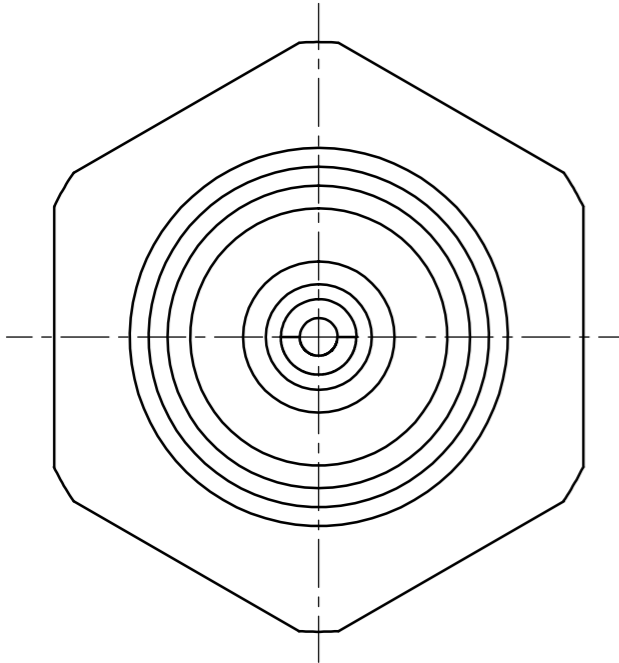
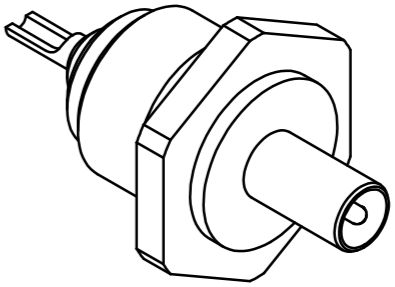
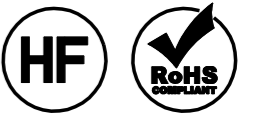


PART NO. 90194-001



NOTES.
 1.APPLICABLE CONNECTOR
 (1)MHF I PLUG
 P/N: 20278-11*R-**, 20308-***R-**, 20351-***R-37,
 20631-***R-**, 20670-001R-**, 20767-001R-20
 (2)MHF II PLUG
 P/N: 20311-011R-**, 20312-011R-**, 20686-001R-**
 2.THIS CONNECTOR IS FOR SHORT CIRCUIT INSPECTION
 AND DIELECTRIC WITHSTANDING VOLTAGE INSPECTION.

3	SHELL	STAINLESS STEEL	Au 0.3 μm MIN. OVER Ni 1.0 μm MIN.
2	CONTACT	BRASS	Au 1.0 μm MIN. OVER Ni 1.0 μm MIN.
1	INSULATOR	FLUORINE PLASTICS	
NO.	DESCRIPTION	MATERIAL	FINISH , REMARKS
		ANGLE ±2° 6 OVER 30 MAX. ±0.3	PROJECTION
		6 MAX. ±0.2 30 OVER 120 MAX. ±0.5	SERIES No. R1
		GENERAL TOLERANCE.	CUSTOMER COPY
2	Z190562	K.I 2019/04/25 Y.H	TITLE MHF® I PLUG
1	Z2020	K.O 2002/01/25 E.K	INSPECTION CONNECTOR
0	Z1214	K.O 2001/10/01	SCALE 10:1
REV.	ECN	BY	DATE
			UNIT mm
			SIZE A3
			SHEET 1/1 REV. 2
REVISION RECORD		K.Katabuchi	2001/10/03
		DWG. K.Oobayashi	DATE 2001/10/01
		CHK. E.Kawabe	DATE 2001/10/02
		APP. K.Katabuchi	DATE 2001/10/03
		DWG. No. 90194	