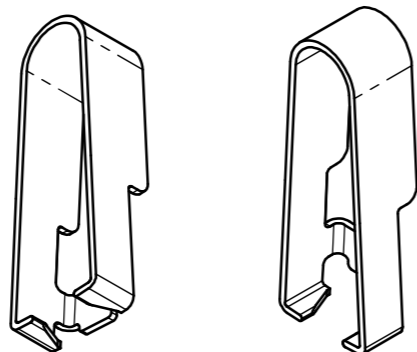
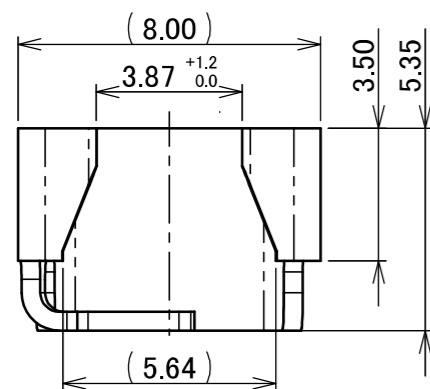
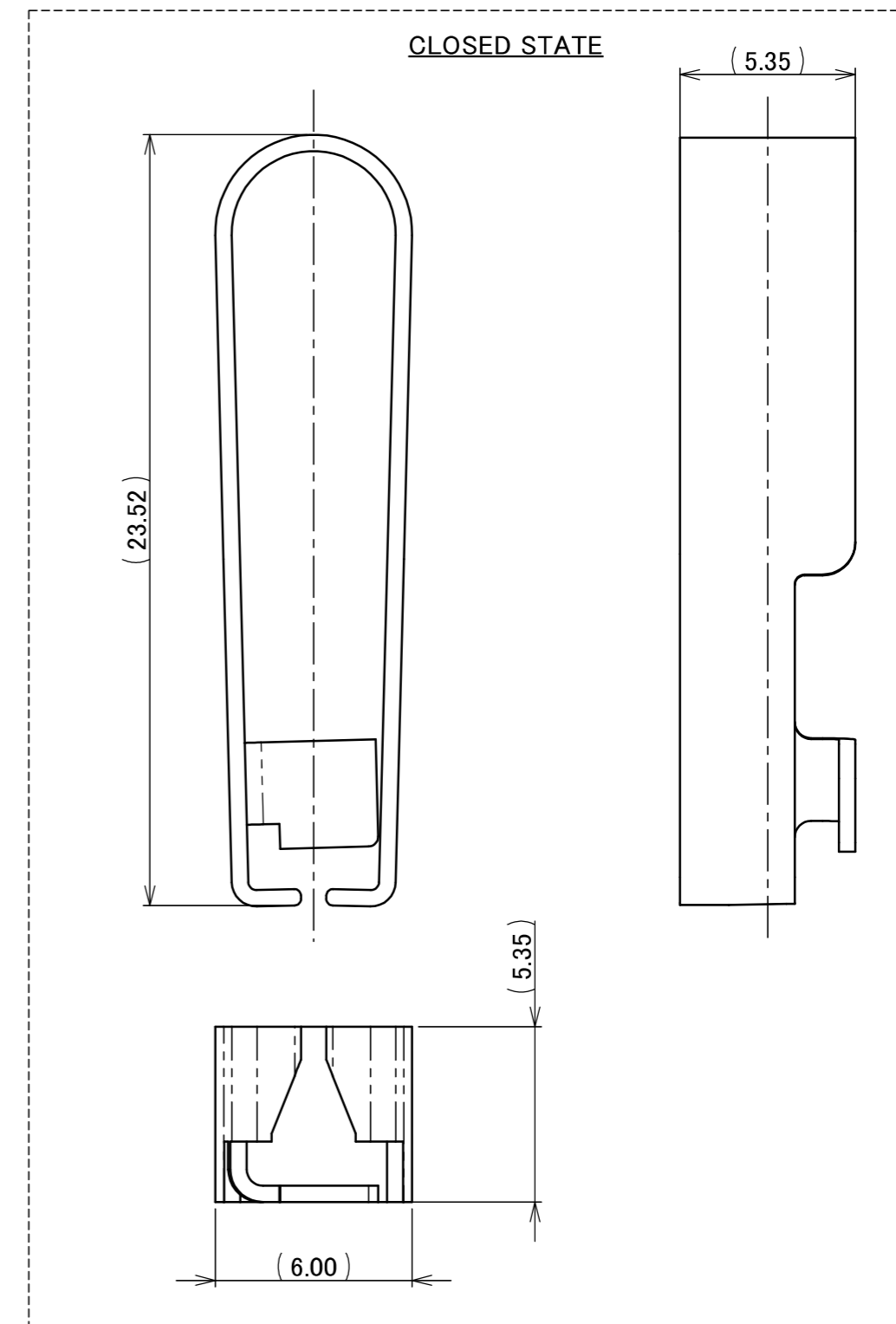
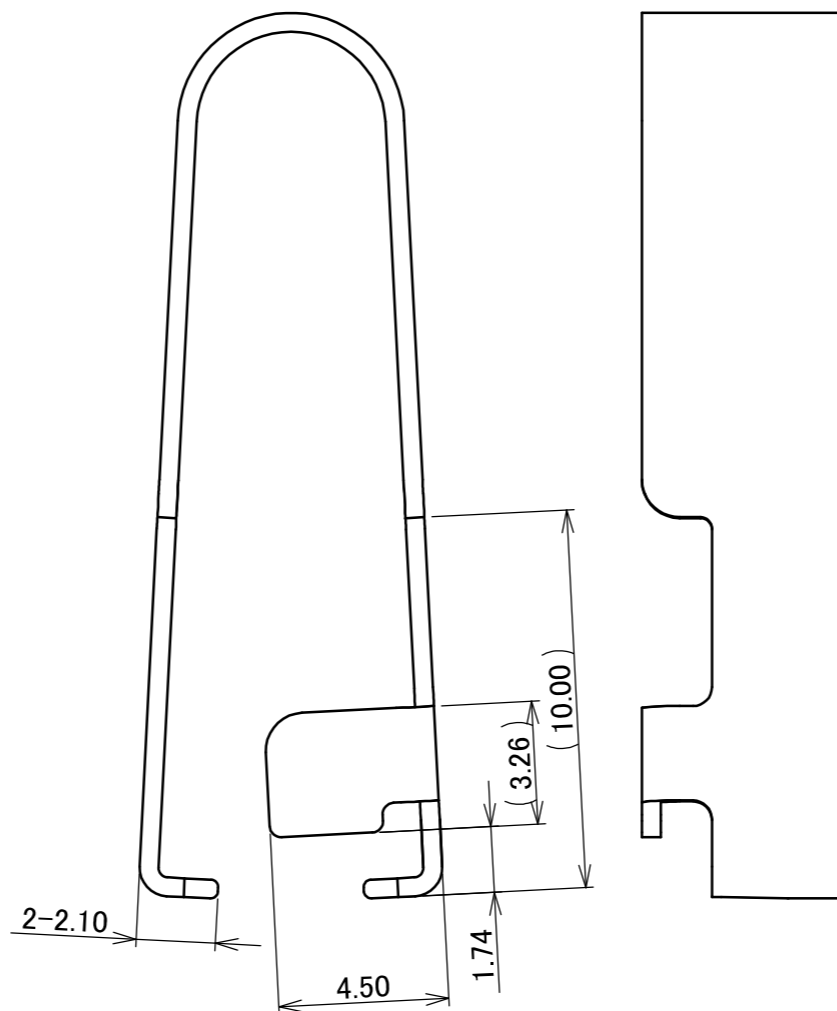
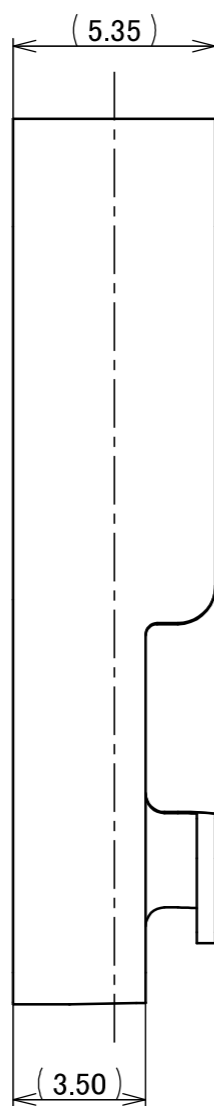
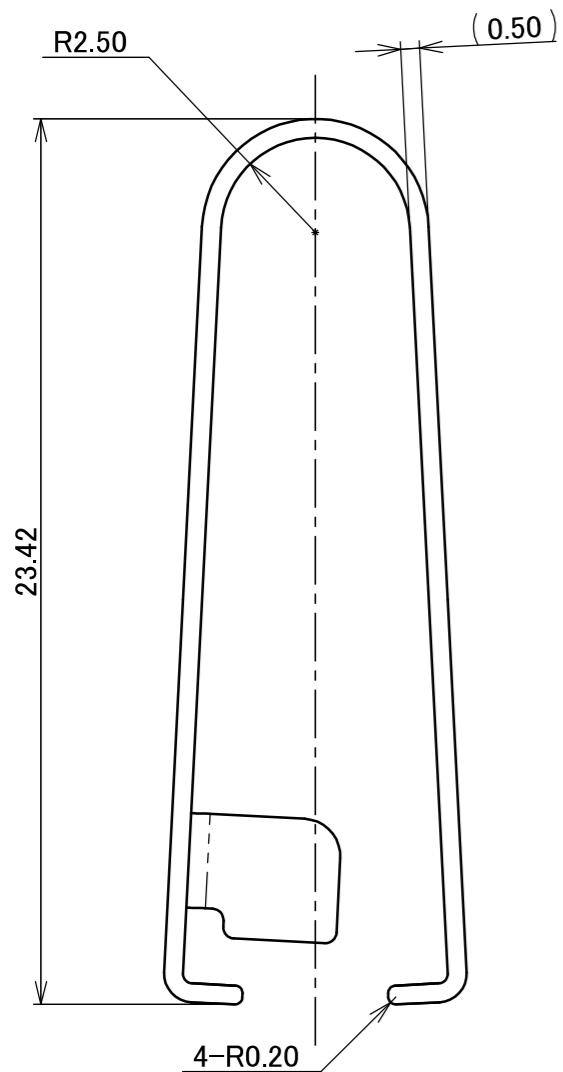




Halogen Free



RoHS Compliant



NOTES.

- 1. MATERIAL SUS304R-1/2H t=0.5
- 2. THIS IS FOR MHF PLUG WITH LOCK TYPE WITHDRAWAL JIG

					ANGLE	±2°	6 OVER 30 MAX.	±0.3	PROJECTION	SERIES No.	CUSTOMER COPY			
						6 MAX.	±0.2	30 OVER 120 MAX.	±0.5	R0				
					GENERAL TOLERANCE.				TITLE					
					DWG.	DATE			MHF® I LK					
					Y.Fukumoto			2018/02/27		LK UNMATING JIG				
					CHK.									
REV.	ECN	BY	DATE	APP.	APP.				DWG. No.		91026	SCALE	5:1	
REVISION RECORD					K.Narita						A3	UNIT	mm	
											A3	SIZE	SHEET	1/1
											A3	REV.	1	