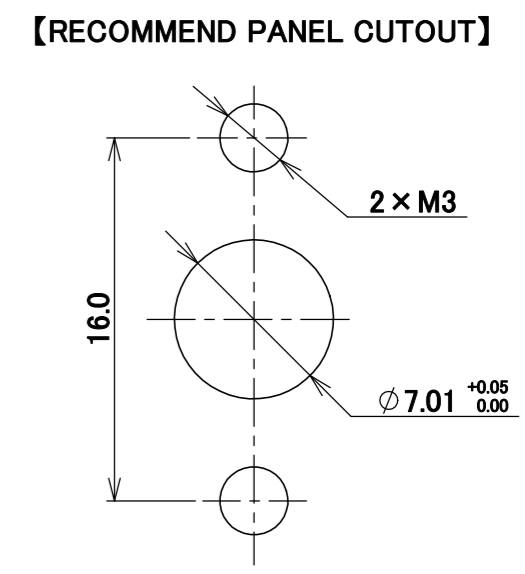
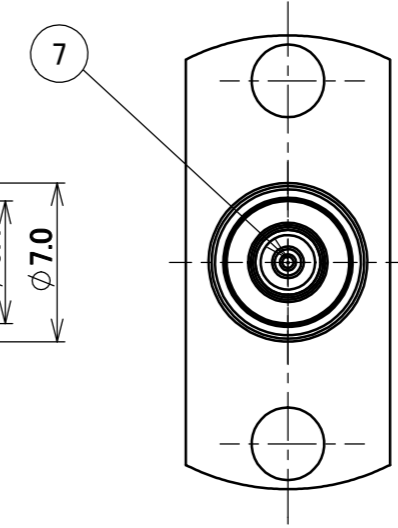
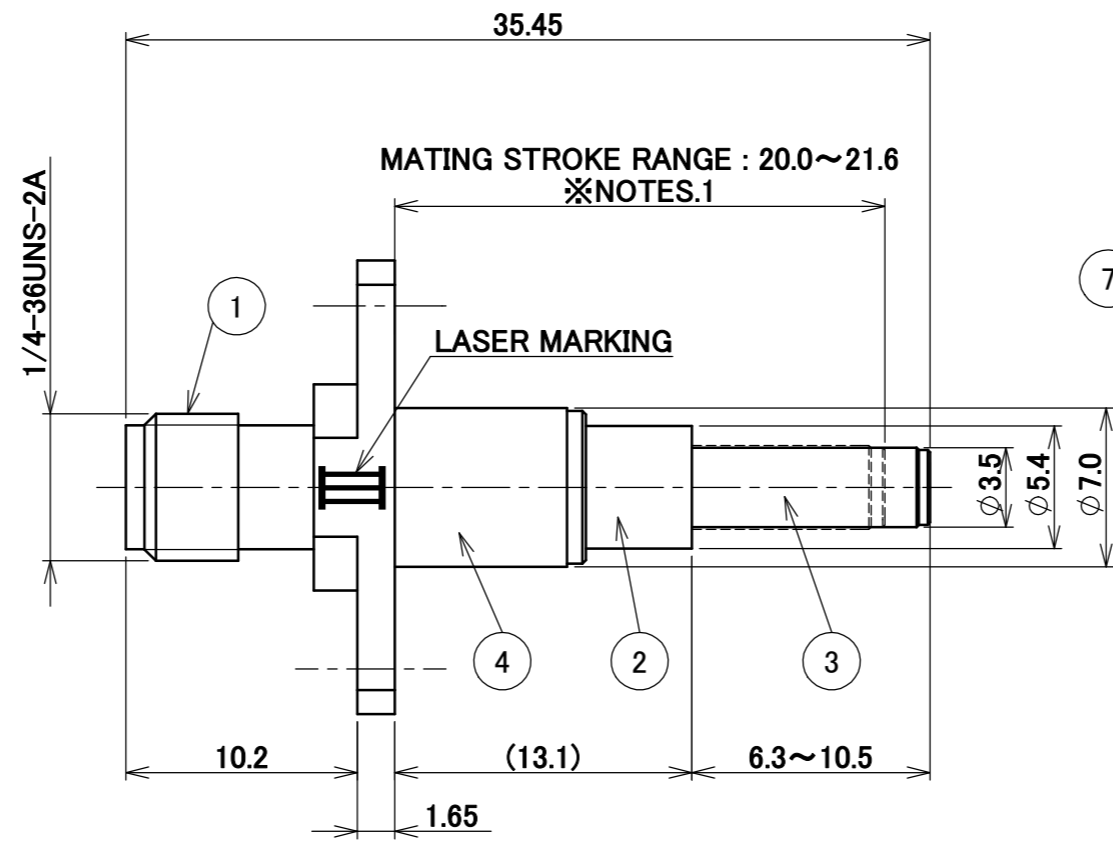
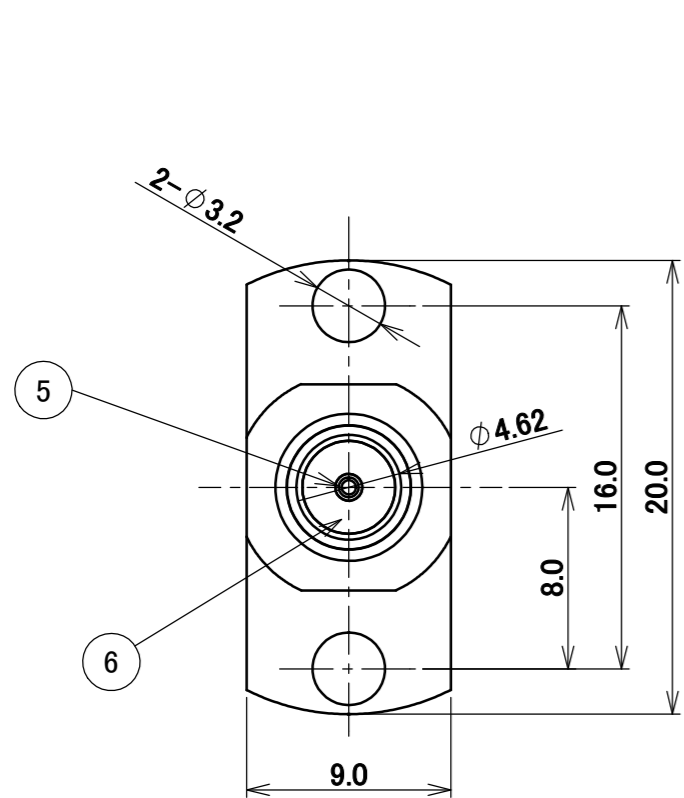
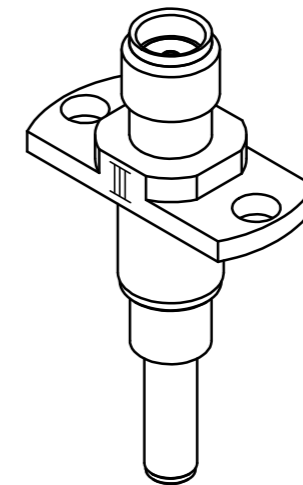
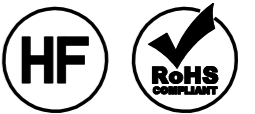
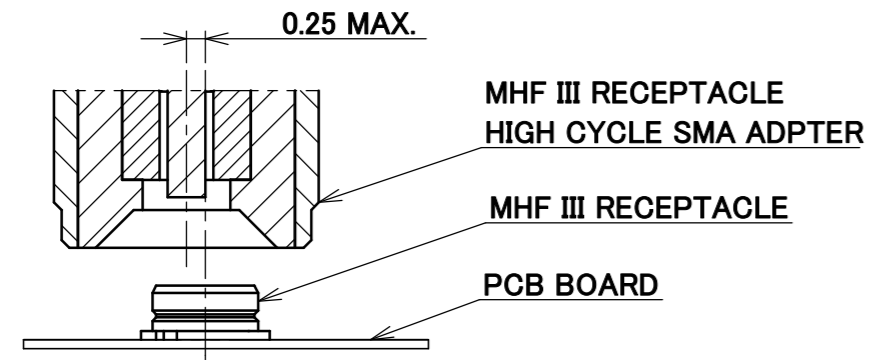


PART NO.
90491-001



NOTES
 1. WHEN MATING ADAPTER TO CONNECTOR, MATING STROKE LENGTH NEEDS TO BE IN RANGE OF 21.6mm TO 20.0mm FROM EDGE OF FLANGE(EDGE CLOSER TO TIP OF PROBE) TO TIP OF PROBE.
 2. AXIAL MISALIGNMENT DISTANCE : 0.25mm MAX.



NO.	DESCRIPTION	MATERIAL	FINISH, REMARKS
7	CONTACT PROBE	PHOSPHOR BRONZE	RHODIUM & Au
6	INSULATOR	PTFE	
5	SOCKET CONTACT	BERYLLIM COPPER	Au 1.0μm MIN. OVER Ni 2.0μm MIN.
4	GROUND BODY	BRASS	Au 1.0μm MIN. OVER Ni 2.0μm MIN.
3	OUTER CONTACT-B	STAINLESS STEEL	Au 1.0μm MIN. OVER Ni 2.0μm MIN.
2	OUTER CONTACT-A	STAINLESS STEEL	PASSIVED STAINLESS STEEL
1	SHELL	STAINLESS STEEL	PASSIVED STAINLESS STEEL

					ANGLE	±2°	6 OVER 30 MAX.	±0.3	PROJECTION	SERIES No.	CUSTOMER COPY		
						6 MAX.	±0.2	30 OVER 120 MAX.	⊕	R0			
					GENERAL TOLERANCE.				TITLE	SCALE	I-PEX		
					DWG.	T.Hirakawa	DATE	2008/12/25	MHF® III RECEPTACLE HIGH CYCLE SMA ADAPTER			5:1	
					CHK.	T.Takano	DATE	2008/12/25				UNIT	mm
					APP.	E.Kawabe	DATE	2008/12/25	DWG. No.			90491	SIZE
REVISION RECORD									SHEET		1/2	REV.	2

ITEMS	SPECIFICATION
APPLICABLE CONNECTOR PART No.	20369-001E 20700-001E
RATING FREQUENCY	DC~6GHz
NOMINAL CHARACTERISTIC IMPEDANCE	50ohm
OPERATING TEMPERATURE	233~363K(-40°C~+90°C)
VSWR	1.3 MAX. (DC~3GHz), 1.5 MAX.(3GHz~6GHz)
INSERTION LOSS	-0.8dB MIN. (DC to 6GHz)
INSULATION RESISTANCE	500Mohm MIN.(DC100V)
DIELECTRIC WITHSTANDING VOLTAGE	AC300V 1min
DURABILITY	10,000CYCLES
PRODUCT SPECIFICATION	-
TEST REPORT	-
PACKING STANDARD	PST-14081
INSTRUCTION MANUAL	-

ANGLE	±2°	6 OVER 30 MAX.	±0.3	PROJECTION 	SERIES No. R0	CUSTOMER COPY
6 MAX.	±0.2	30 OVER 120 MAX.	±0.5			
GENERAL TOLERANCE.				TITLE MHF® III RECEPTACLE HIGH CYCLE SMA ADAPTER	SCALE -	UNIT mm
DWG.	DATE					
CHK.	DATE					
APP.	DATE					
				DWG. No.	90491	SIZE A3
				SHEET 2/2		REV. 2