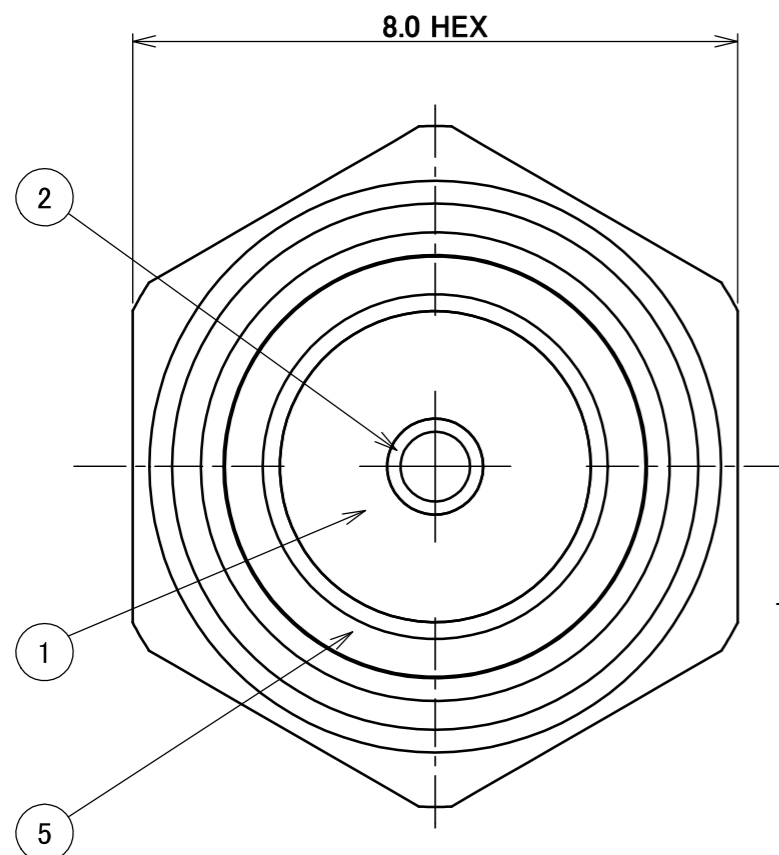
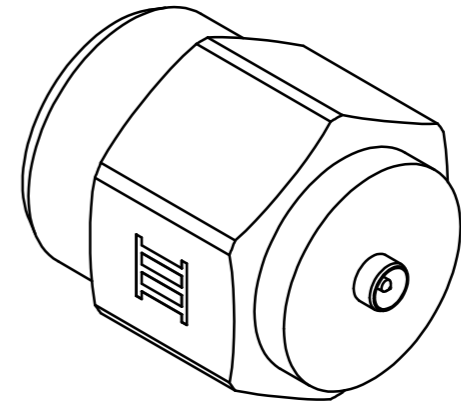
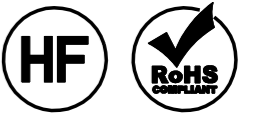
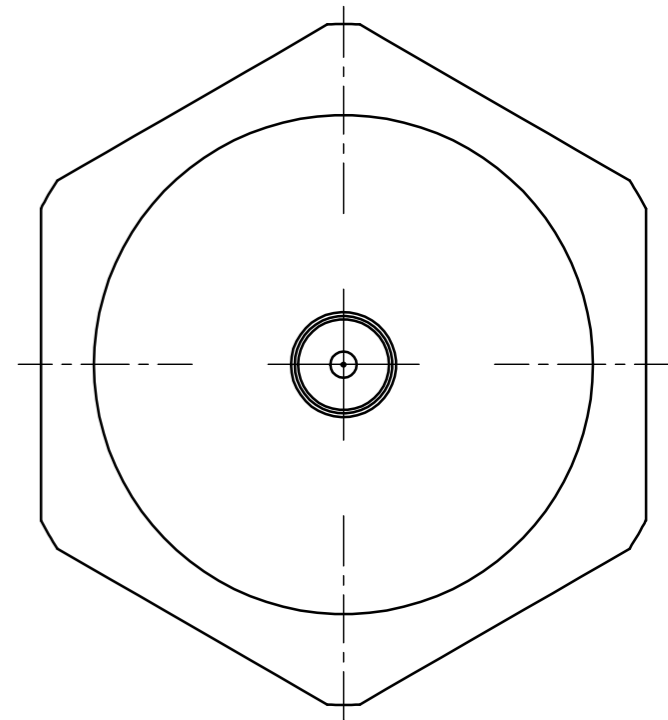
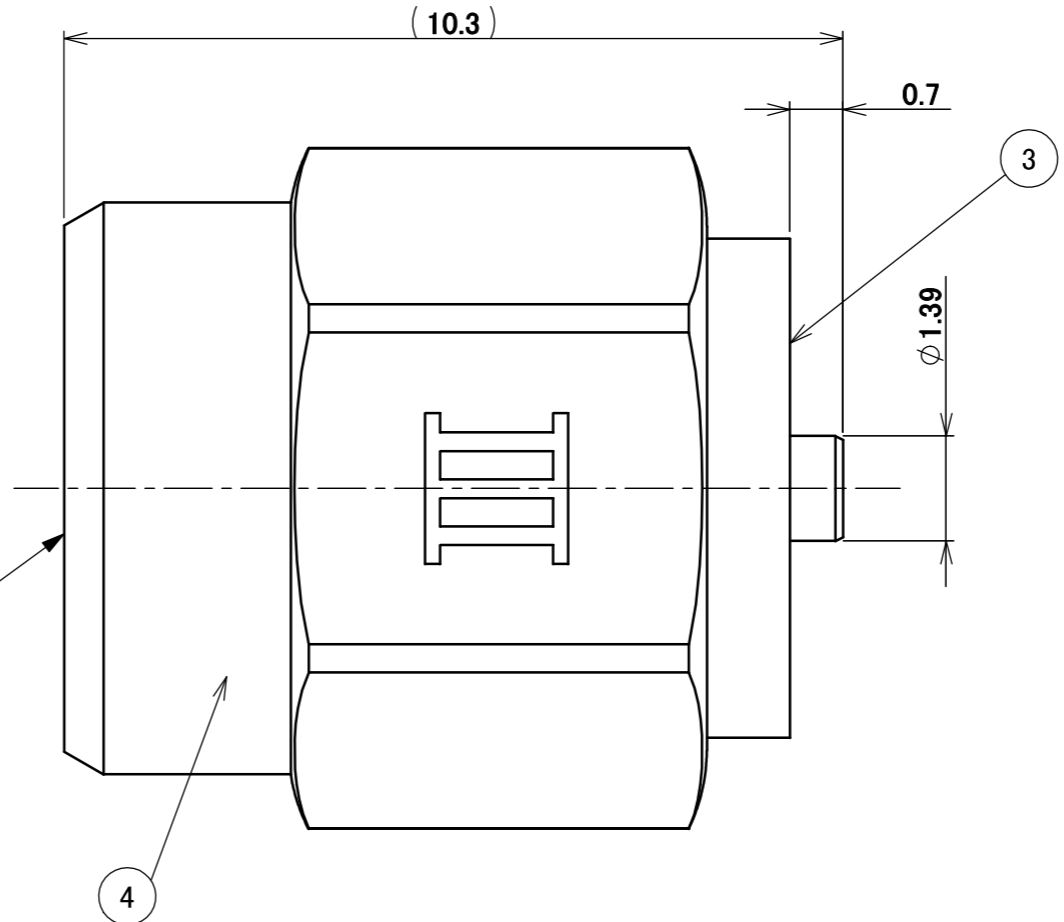


PART NO.

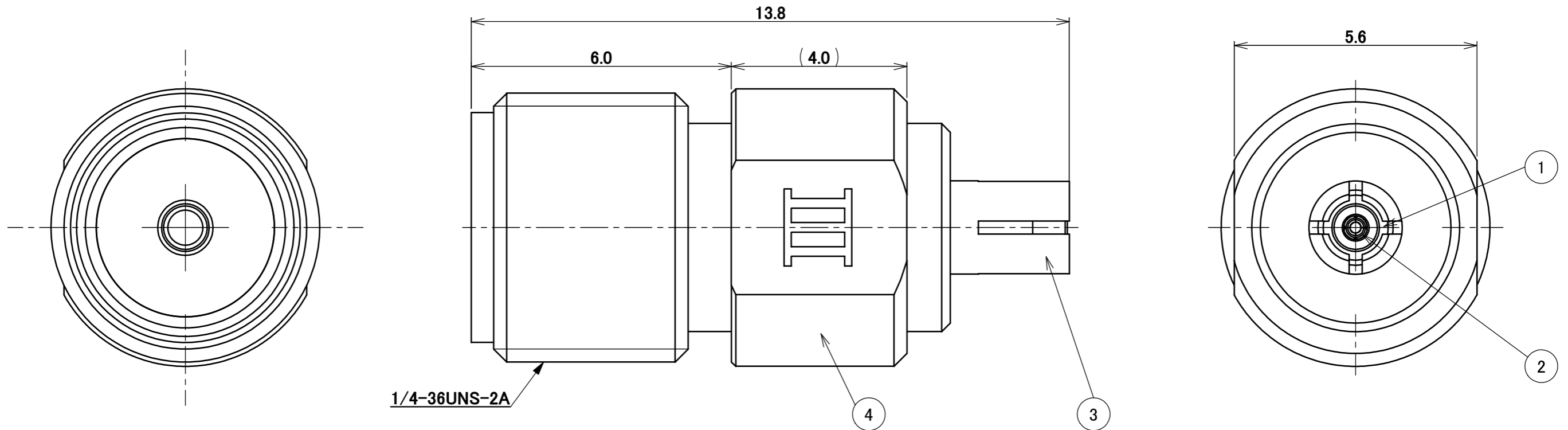
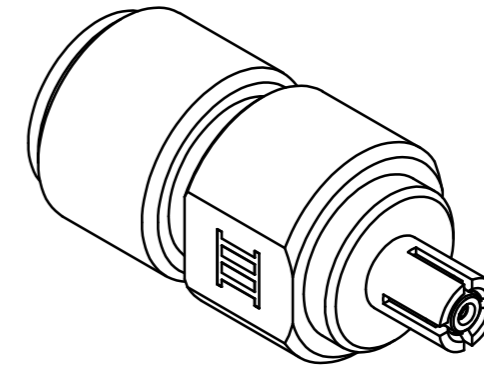
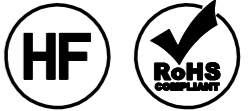
90285-001



1/4-36UNS-2B



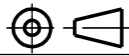
5	GASKET	RUBBER	
4	NUT	STAINLESS STEEL	PASSIVATION
3	SHELL	STAINLESS STEEL	Au 0.3 μm MIN. OVER Ni 1.0 μm MIN.
2	CONTACT	BRASS	Au 1.0 μm MIN. OVER Ni 1.0 μm MIN.
1	INSULATOR	FLUORINE PLASTICS	
NO.	DESCRIPTION	MATERIAL	FINISH, REMARKS
		ANGLE ±2° 6 OVER 30 MAX. ±0.3 6 MAX. ±0.2 30 OVER 120 MAX. ±0.5	PROJECTION  SERIES No. R0 CUSTOMER COPY
		GENERAL TOLERANCE.	TITLE MHF® III 10:1 UNIT mm I-PEX
1	Z190666 K.I	2019/05/20 Y.H	T.Hirakawa 2005/01/13
0	Z05013 TAK	2005/01/13	CHK. DATE
REV.	ECN	BY	DATE
		APP.	DATE
REVISION RECORD			
		E.Kawabe	2005/01/13
DWG. No. 90285			SIZE A3 SHEET 1/3 REV. 1



1/4-36UNS-2A

4	SHELL	STAINLESS STEEL	PASSIVIATION
3	OUTER CONTACT	BERYLLIUM COPPR	Au 0.3 μ m MIN. OVER Ni 1.0 μ m MIN.
2	INNER CONTACT	BERYLLIUM COPPR	Au 1.0 μ m MIN. OVER Ni 1.0 μ m MIN.
1	INSULATOR	FLUORINE PLASTICS	
NO.	DESCRIPTION	MATERIAL	FINISH , REMARKS
		ANGLE ±2° 6 OVER 30 MAX. ±0.3	PROJECTION
		6 MAX. ±0.2 30 OVER 120 MAX. ±0.5	SERIES No. R0
		GENERAL TOLERANCE.	CUSTOMER COPY
		DWG. DATE	TITLE
		CHK. DATE	MHF® III
		APP. DATE	SMA ADAPTER
REV.	ECN	BY	DWG. No. 90285
		DATE	SCALE 10:1
		APP.	UNIT mm
REVISION RECORD			SIZE A3
			SHEET 2/3
			REV. 1

ITEMS	SPECIFICATION	
	PART No.	90285-001
APPLICABLE CONNECTOR PART No.	20367-00*R	20369-001E
RATING FREQUENCY	DC~6GHz	
VSWR	1.3 MAX. AT DC~3GHz, 1.5 MAX. AT 3~6GHz	
INSULATION RESISTANCE	500 Mohm MIN. (DC100V)	
DIELECTRIC WITHSTANDING VOLTAGE	AC200V 1min	
DURABILITY	3,000 CYCLES	500 CYCLES
PRODUCT SPECIFICATION	-	-
TEST REPORT	-	-
PACKING STANDARD	PST-12033	
INSTRUCTION MANUAL	-	-

ANGLE	±2°	6 OVER 30 MAX.	±0.3	PROJECTION 	SERIES No. <b>R0</b>	CUSTOMER COPY
6 MAX.	±0.2	30 OVER 120 MAX.	±0.5			
GENERAL TOLERANCE.				TITLE <b>MHF® III</b> <b>SMA ADAPTER</b>	SCALE -	<b>I-PEX</b>
DWG.	DATE					
CHK.	DATE					
APP.	DATE					
				DWG. No.	<b>90285</b>	SIZE <b>A3</b>
				SHEET <b>3/3</b>		REV. <b>1</b>