

PART NO.

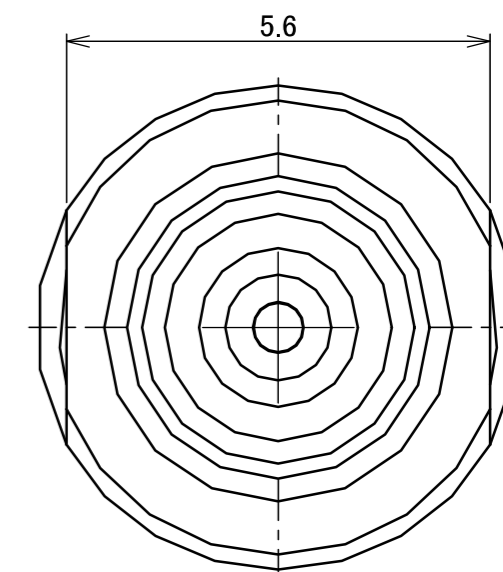
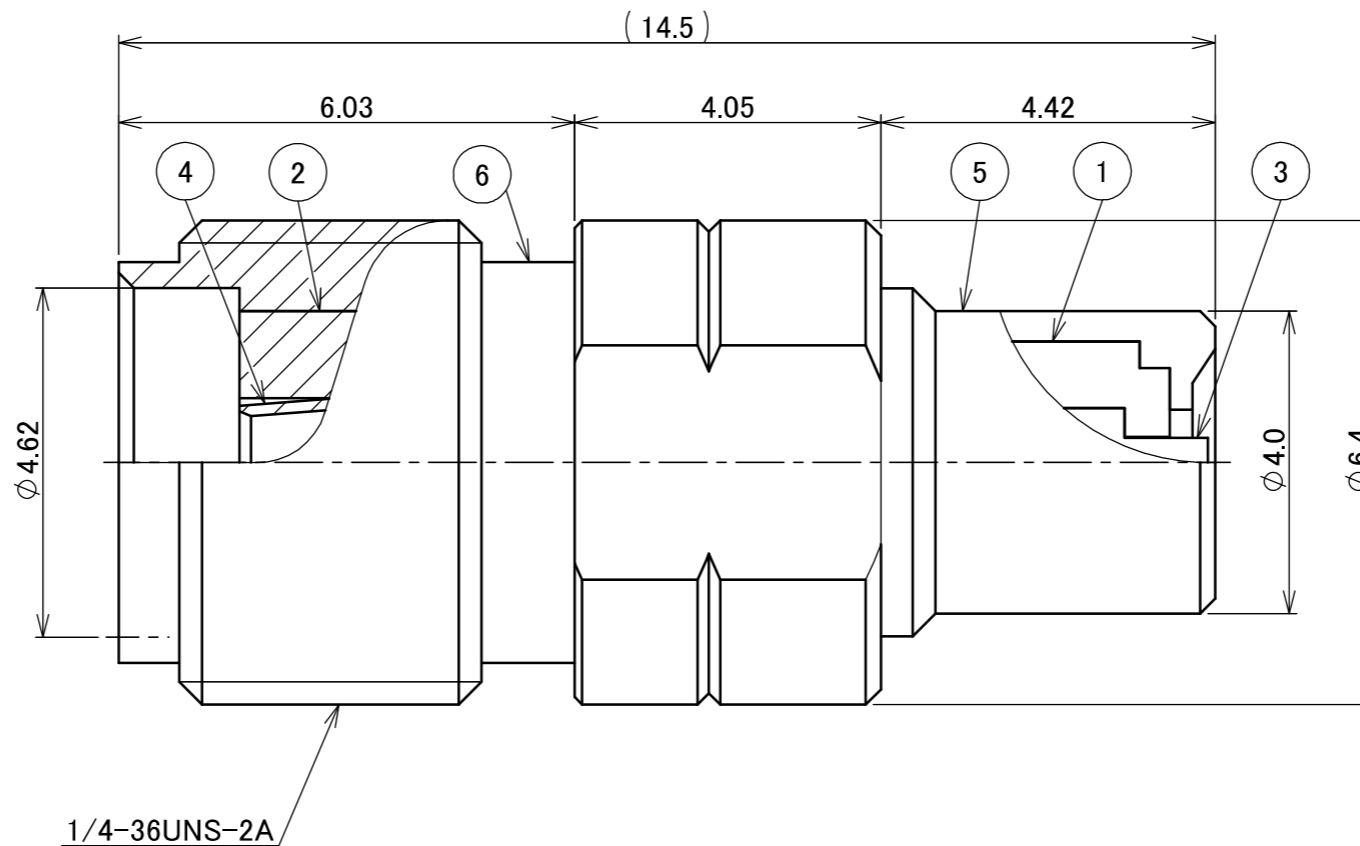
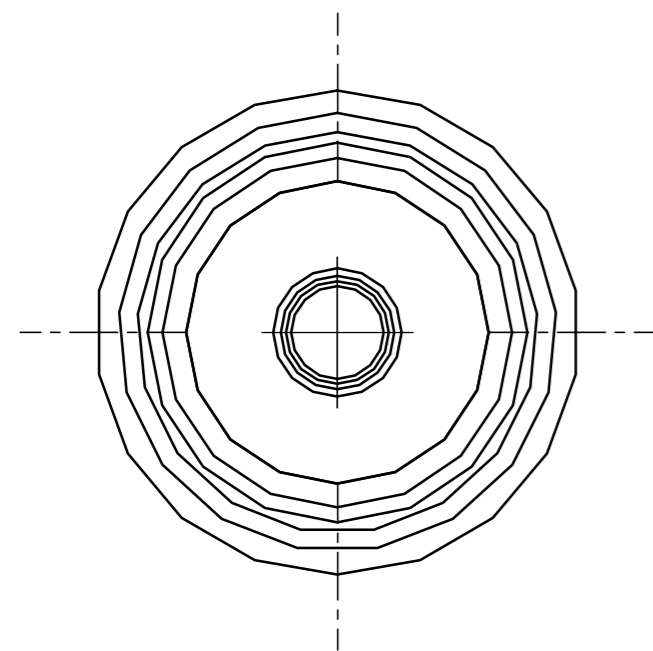
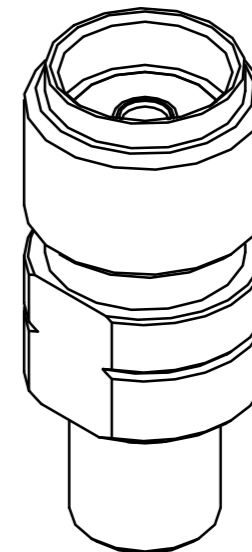
90416-001



Halogen Free

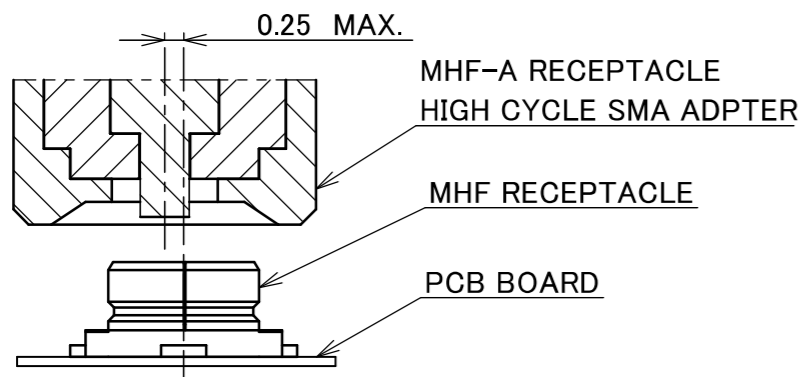


RoHS Compliant



NOTES.

1. AXIAL MISALIGNMENT DISTANCE : 0.25mm MAX.



6	SHELL	PASSIVED STAINLESS STEEL	
5	OUTER CONTACT	BRASS	Au OVER Ni
4	SOCKET CONTACT	BERYLLIUM COPPER	Au OVER Ni
3	INNER CONTACT	BRASS	Au OVER Ni
2	REAR INSULATOR	FLUORINE PLASTICS	
1	INSULATOR	FLUORINE PLASTICS	
NO.	DESCRIPTION	MATERIAL	FINISH , REMARKS

9	Z211527	K.W	2021/12/13	M.T	ANGLE	±2°	6 OVER 30 MAX.	±0.3	PROJECTION ⊕	SERIES No. R0	CUSTOMER COPY	
8	Z191429	S.M	2019/10/30	Y.H	6 MAX.	±0.2	30 OVER 120 MAX.	±0.5				
7	Z190611	K.I	2019/05/07	Y.H	GENERAL TOLERANCE.				TITLE MHF® I RECEPTACLE HIGH CYCLE FC SMA ADAPTER	SCALE 10:1 UNIT mm	I-PEX	
6	Z11263	A.F	2011/06/09	E.K	DWG.	DATE						
5	Z09331	Y.H	2009/07/09	T.H	Y.Hashimoto		2006/12/14					
4	Z07630	D.J	2007/12/14	T.H	CHK.							
REV.	ECN	BY	DATE	APP.	APP.	E.Kawabe		DWG. No.	90416	SIZE A3	SHEET 1/2	REV. 9

ITEMS	SPECIFICATION
APPLICABLE CONNECTOR PART No.	MHF I :20279-001E-0*, 20314-001E-01* 20431-001E-0*, 20441-001E-01 MHF-A:20429-001E
RATING FREQUENCY	DC~9GHz
NOMINAL CHARACTERISTIC IMPEDANCE	50ohm
VSWR (MATING WITH 90193-001 AND 90416-001 AND 90684-0001)	1.3 MAX. (DC~3GHz), 1.5 MAX.(3GHz~6GHz), 2.0 MAX.(6GHz~9GHz)
INSULATION RESISTANCE	500Mohm MIN.(DC100V)
DIELECTRIC WITHSTANDING VOLTAGE	AC300V 1min
DURABILITY	10,000CYCLES
PRODUCT SPECIFICATION	-
TEST REPORT	-
PACKING STANDARD	PST-12033
INSTRUCTION MANUAL	-
APPEARANCE CRITERIA No.	QLS-A***

ANGLE	±2°	6 OVER 30 MAX.	±0.3	PROJECTION 	SERIES No. R0	CUSTOMER COPY		
6 MAX.	±0.2	30 OVER 120 MAX.	±0.5					
GENERAL TOLERANCE.				TITLE MHF® I RECEPTACLE HIGH CYCLE FC SMA ADAPTER	SCALE 5:1 UNIT mm			
DWG.	DATE							
CHK.								
APP.								
				DWG. No.	90416	SIZE A3	SHEET 2/2	REV. 9