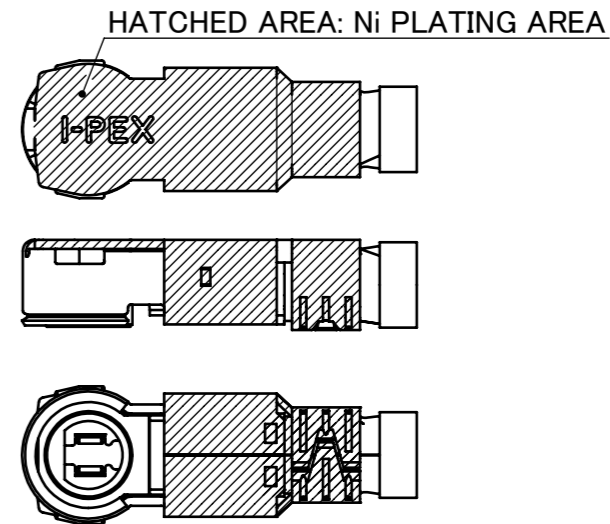
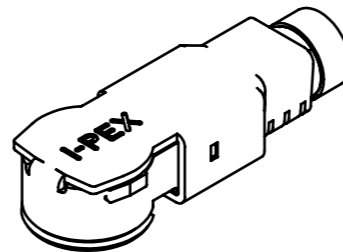
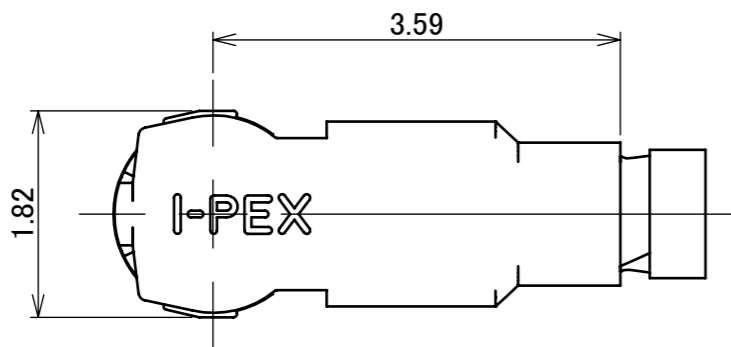


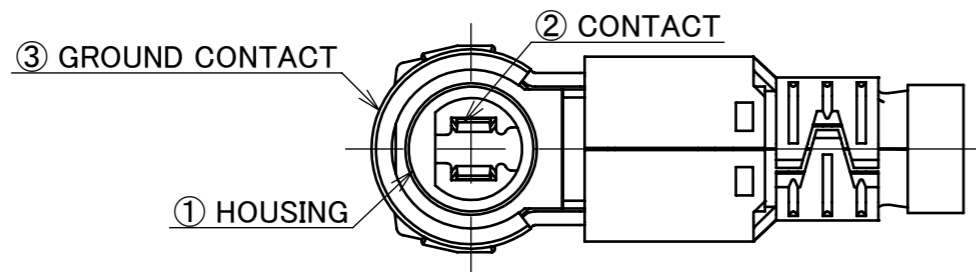
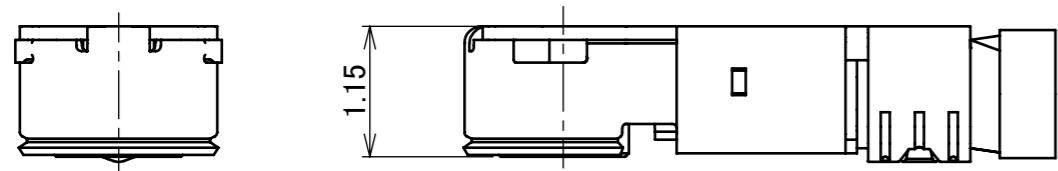
PART NO.
20939-001R-13

Offered as harness only.

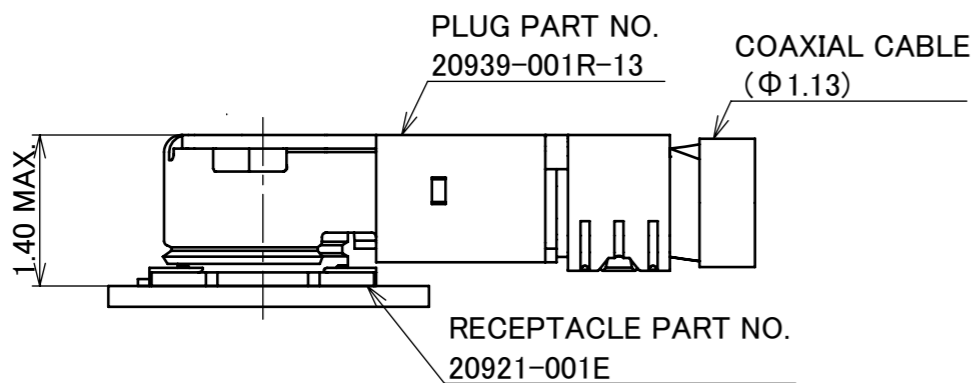
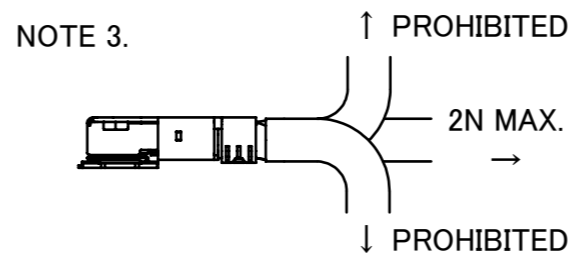
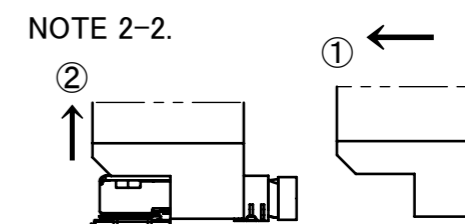
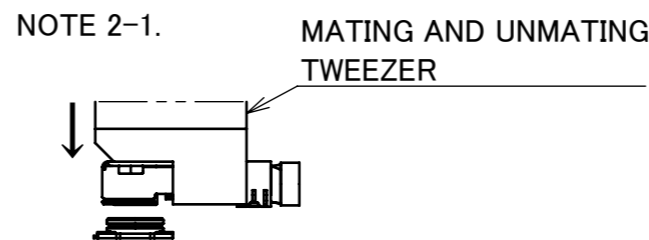


NOTES

1. APPLICABLE CONNECTOR: 20921-001E
2. MATING AND UNMATING INSTRUCTION
 - 2-1. MATING
MATE THE CONNECTOR VERTICALLY AS MUCH AS POSSIBLE. ADJUSTING THE MATING AXIS OF PLUG AND RECEPTACLE. DO NOT SLANT MATE.
 - 2-2. UNMATING
USE THE MATING AND UNMATING TOOL (PART NO. 91187-0001) AS THE FOLLOWING DRAWING, AND PULL PLUG TO VERTICAL DIRECTION AS DIRECTLY AS POSSIBLE.
3. PERMISSIBLE LOAD OF CABLE AT MATING.
4. CHARACTERISTIC IMPEDANCE: 50 Ω (NOMINAL VALUE)



CABLE ASSEMBLY

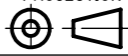


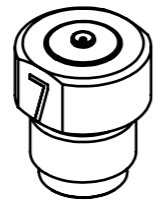
MATING CONDITION

3	GROUND CONTACT	PHOSPHOR BRONZE	ALL OVER: Ni 0.7 μm MIN. CONTACT PART: Au 0.1 μm MIN. [Ni PLATING AREA] Ni ONLY
2	CONTACT	CORSON ALLOY	ALL OVER: Ni 1.00 μm MIN. CONTACT PART: Au 0.1 μm MIN.
1	HOUSING	LCP	UL94V-0, WHITE
NO.	DESCRIPTION	MATERIAL	FINISH , REMARKS

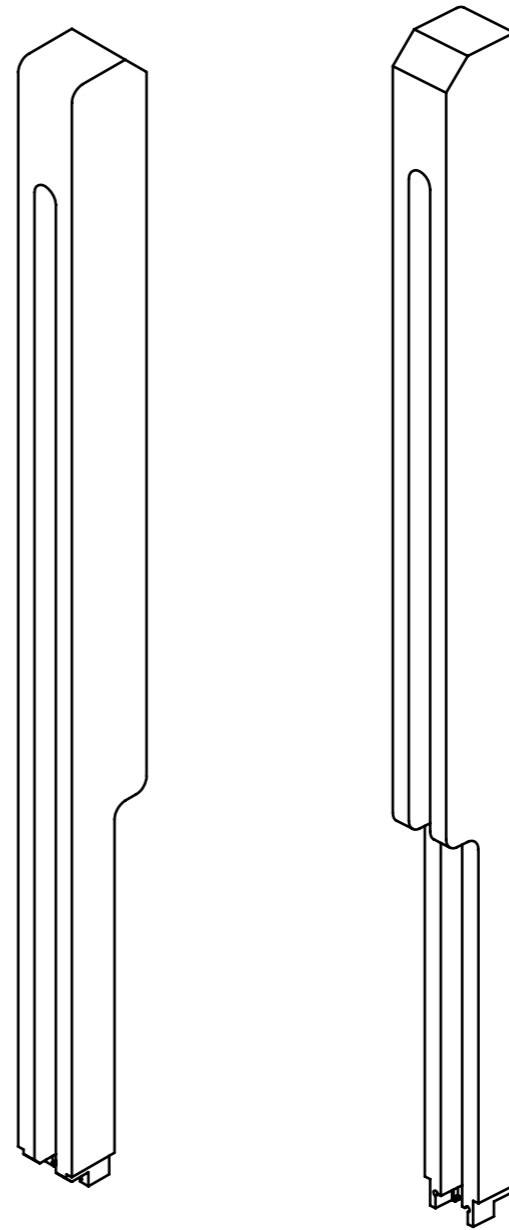
					ANGLE	±2°	6 OVER 30 MAX.	±0.3	PROJECTION	SERIES No.	CUSTOMER COPY		
					6 MAX.	±0.2	30 OVER 120 MAX.	±0.5		R4			
3	Z200058	Y.I	2020/01/29	Hiro	GENERAL TOLERANCE.				TITLE MHF® 7 PLUG (13TYPE)	SCALE	I-PEX		
2	Z191627	Y.I	2019/12/13	Hiro	DWG.	DATE	2019/06/28	15:1					
1	Z191279	Y.I	2019/09/25	Hiro	Y.Imaji	DATE	2019/07/03	UNIT		mm			
0	Z190858	Y.I	2019/06/28		CHK.	DATE	2019/07/03	SIZE		A3			
REV.	ECN	BY	DATE	APP.	APP.	DATE	2019/07/04	DWG. No.	20939	SHEET	1/3	REV.	3

ITEMS	SPECIFICATION
APPLICABLE CONNECTOR PART No.	20921-001E
RATING VOLTAGE	60 V AC (R.M.S)/DC
RATING FREQUENCY	DC~43.5 GHz
OPERATING TEMPERATURE	233~363 K (-40°C~+90°C)
OPERATING HUMIDITY	90% MAX. (NON-CONDENSING)
CHARACTERISTIC IMPEDANCE	50 ohm (NOMINAL VALUE)
VSWR	1.433 MAX. AT 0.1 ~ 1.0 GHz, 1.671 MAX. AT 24.25 ~ 43.50 GHz
MAIN CONTACT RESISTANCE	INITIAL : 20 mohm MAX. / AFTER TEST : Δ R 20 mohm MAX.
GROUND CONTACT RESISTANCE	INITIAL : 20 mohm MAX. / AFTER TEST : Δ R 20 mohm MAX.
INSULATION RESISTANCE	INITIAL : 500 Mohm MIN. / AFTER TEST : 100 Mohm MIN.
DIELECTRIC WITHSTANDING VOLTAGE	AC200V 1min
DURABILITY	20 CYCLES
MATING FORCE (INITIAL / AFTER TEST)	INITIAL: 25N MAX., 5N MIN. (VERTICAL DIRECTION) AFTER TEST: 25N MAX., 5N MIN. (VERTICAL DIRECTION)
UNMATING FORCE (INITIAL / AFTER TEST)	INITIAL: 15N MAX., 5N MIN. (VERTICAL DIRECTION) AFTER TEST: 15N MAX., 5N MIN. (VERTICAL DIRECTION)
CRIMP STRENGTH	5N MIN.
PRODUCT SPECIFICATION	PRS-2574
TEST REPORT	TR-19022
INSTRUCTION MANUAL	HIM-19008
APPEARANCE CRITERIA No.	QLS-A***

ANGLE	$\pm 2^\circ$	6 OVER 30 MAX.	± 0.3	PROJECTION 	SERIES No. R4	CUSTOMER COPY
	6 MAX.	± 0.2	30 OVER 120 MAX.			
GENERAL TOLERANCE.				TITLE MHF [®] 7 PLUG (13TYPE)	SCALE -	UNIT mm
DWG.	DATE					
CHK.	DATE					
APP.	DATE					
				DWG. No.	20939	SIZE A3
				SHEET 2/3		REV. 3



MHF 7 PLUG INSPECTION ADAPTER
PART NO. 91106-0001



MHF 7 13 TYPE MATING AND UNMATING TWEEZER
PART NO. 91187-0002

ANGLE	±2°	6 OVER 30 MAX.	±0.3	PROJECTION 	SERIES No. R4	CUSTOMER COPY	
6 MAX.	±0.2	30 OVER 120 MAX.	±0.5				
GENERAL TOLERANCE.				TITLE MHF® 7 PLUG (13TYPE)	SCALE 2:1	UNIT mm I-PEX	
DWG.	DATE						
CHK.	DATE						
APP.	DATE						
				DWG. No.	20939	SIZE A3	SHEET 3/3 REV. 3