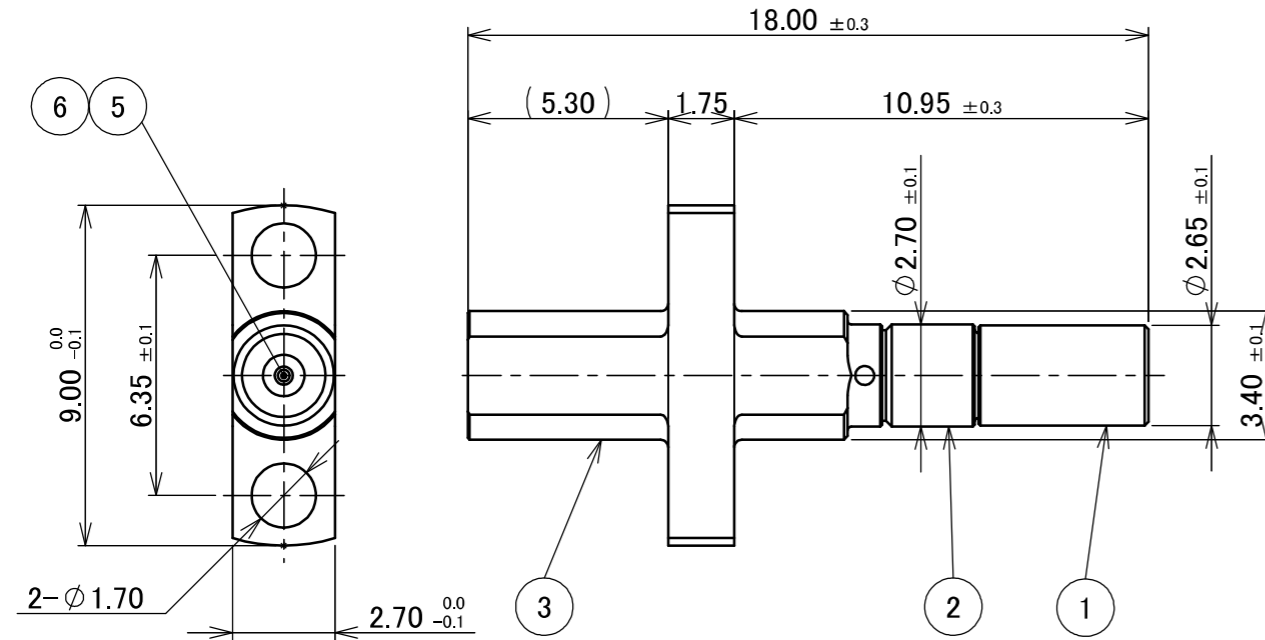




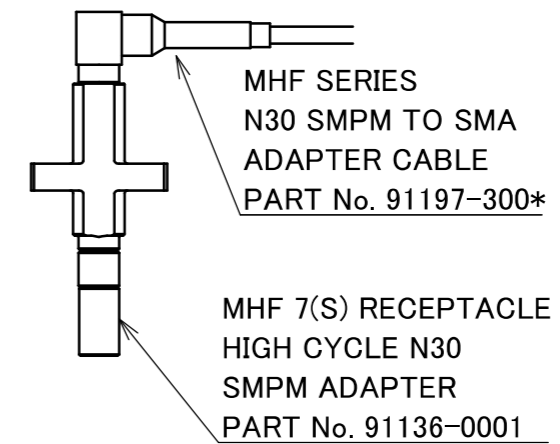
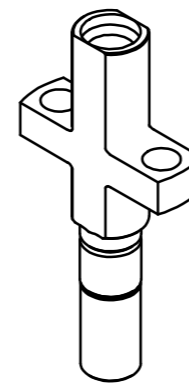
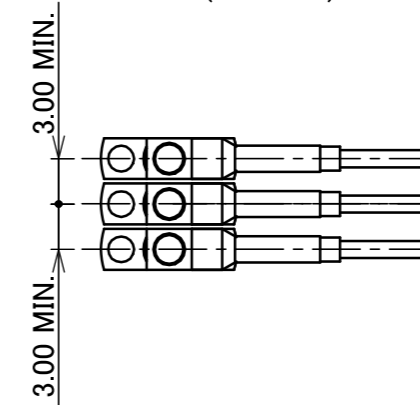
Halogen Free



RoHS Compliant

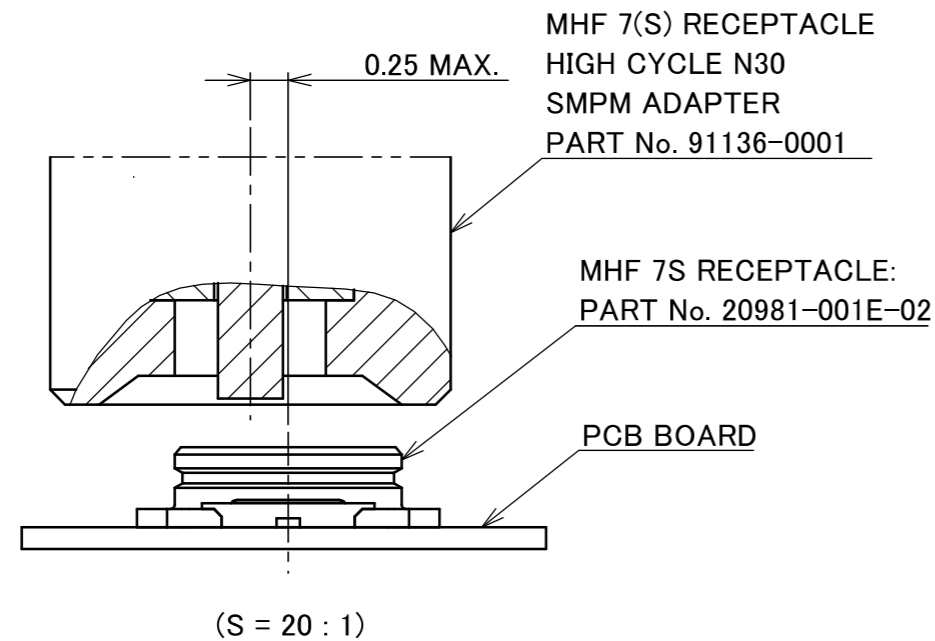


【USE IMAGE WITH 91197-300\*】  
(S = 2 : 1)



NOTE

1. AXIAL MISALIGNMENT DISTANCE: 0.25mm MAX.



NO.	DESCRIPTION	MATERIAL	FINISH , REMARKS
8	PROBE PIN	BERYLLIUM COPPER	Au PLATING ,OVER Ni PLATING
7	PROBE SOCKET	BERYLLIUM COPPER	Au PLATING ,OVER Ni PLATING
6	SMPM CONTACT	BERYLLIUM COPPER	Au PLATING ,OVER Ni PLATING
5	INSULATOR B	PTFE	-
4	INSULATOR A	PTFE	-
3	FLANGE	-	-
2	BODY	-	-
1	OUTER CONTACT	-	-

REV.	ECN	BY	DATE	APP.	DESCRIPTION
1	Z221243	K.M	2022/11/08	Y.H	
0	Z221200	K.W	2022/10/27		

ANGLE	±2°	6 OVER 30 MAX.	±0.3

PROJECTION	SERIES No.	CUSTOMER COPY
	R0	

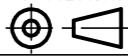
  

GENERAL TOLERANCE.	TITLE	SCALE
DWG. K.Watanabe DATE 2022/10/27	MHF® 7 RECEPTACLE HIGH CYCLE N30 SMPM ADAPTER	5:1
CHK. K.Yufu		UNIT mm
APP. Y.Hashimoto	DWG. No. 91136	SIZE A3

REVISION RECORD	Y.Hashimoto	91136	A3	1/2	1

ITEMS	SPECIFICATION
RECOMMENDED APPLICABLE CONNECTOR PART No.	MHF 7S RECEPTACLE P/N: 20981-001E-02 MHF SERIES N30 SMPM TO SMA ADAPTER CABLE P/N: 91197-300*
RATING FREQUENCY	300kHz~15.0GHz
OPERATING TEMPERATURE	243~343 K (-30°C~+70°C)
VSWR (MATED WITH 20981-001E-02)	1.40 MAX. AT 300kHz~3.0GHz, 1.50 MAX. AT 3.0GHz~6.0GHz, 1.60MAX. AT 6.0GHz~9.0GHz,2.00MAX. AT 9.0GHz~15.0GHz
INSULATION RESISTANCE	500 Mohm MIN. AT DC 100V
DIELECTRIC WITHSTANDING VOLTAGE	AC 100V 1min
DURABILITY	10,000 CYCLES
PRODUCT SPECIFICATION	PRS-2803
TEST REPORT	TR-22036
INSTRUCTION MANUAL	HIM-22018
APPEARANCE CRITERIA No.	QLS-A***

ANGLE	±2°	6 OVER 30 MAX.	±0.3	PROJECTION 	SERIES No. R0	CUSTOMER COPY		
6 MAX.	±0.2	30 OVER 120 MAX.	±0.5					
GENERAL TOLERANCE.				TITLE MHF® 7 RECEPTACLE HIGH CYCLE N30 SMPM ADAPTER	SCALE -	<b>I-PEX</b>		
DWG.	DATE							
CHK.								
APP.								
				DWG. No.	91136	SIZE A3	SHEET 2/2	REV. 1