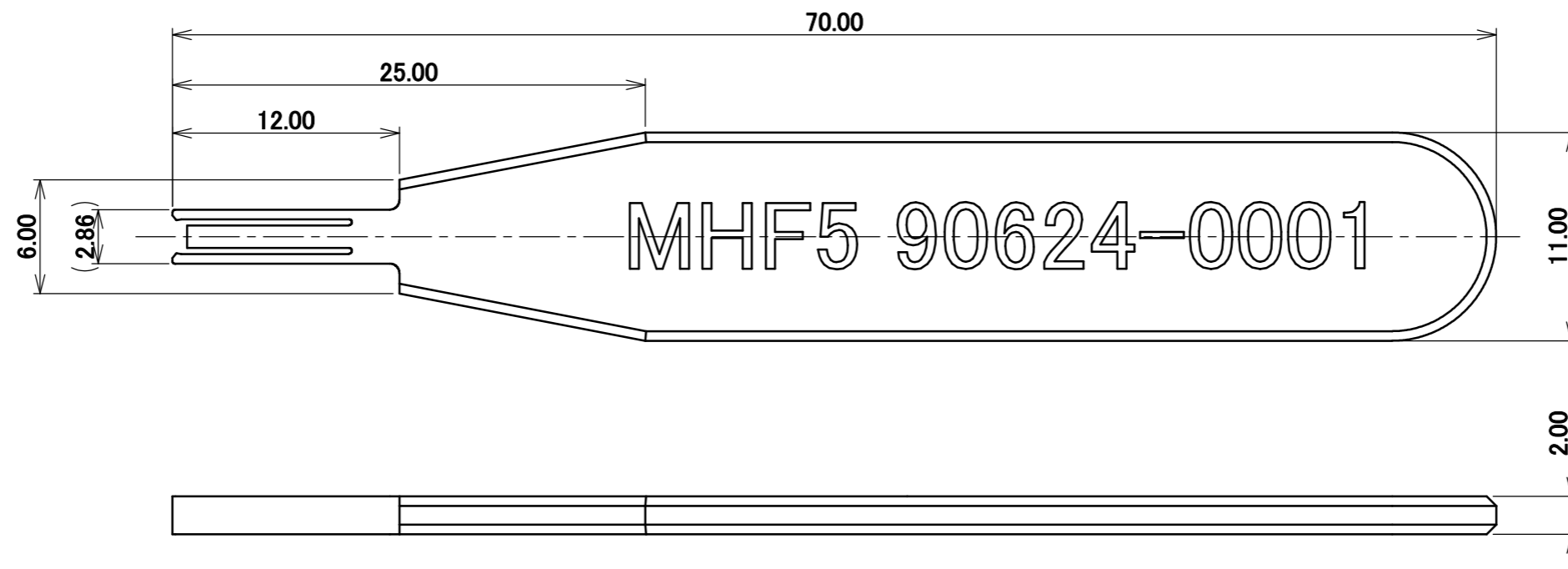
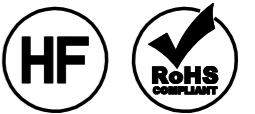


Recommended P/N

90624-0001

PART NO.

90624-0001



NOTES

- 1.MATERIAL
STAINLESS STEEL
- 2.APPLICABLE CONNECTOR PART No.
20567-*0*R-81*
20615-00*R-48
20668-001R-13
20669-001R-81
20711-001R-81
20714-001R-81
20839-001R-81

					ANGLE	±2°	6 OVER 30 MAX.	±0.3	PROJECTION 	SERIES No. R1	CUSTOMER COPY	
					6 MAX.	±0.2	30 OVER 120 MAX.	±0.5				
					GENERAL TOLERANCE.				TITLE MHF [®] 5 MATING TOOL	SCALE	I-PEX	
2	Z190536	K.I	2019/04/17	Y.H	DWG.	DATE				5:1		
1	Z140934	Y.H	2014/08/29	Tom	Y.Hashimoto	2013/05/29				UNIT		
0	Z13461	Y.H	2013/05/29	-	CHK.	DATE			mm			
REV.	ECN	BY	DATE	APP.	APP.	DATE			DWG. No.	SIZE	SHEET 1/1	REV. 2
REVISION RECORD					T.Takano	2013/05/30			90624	A3		