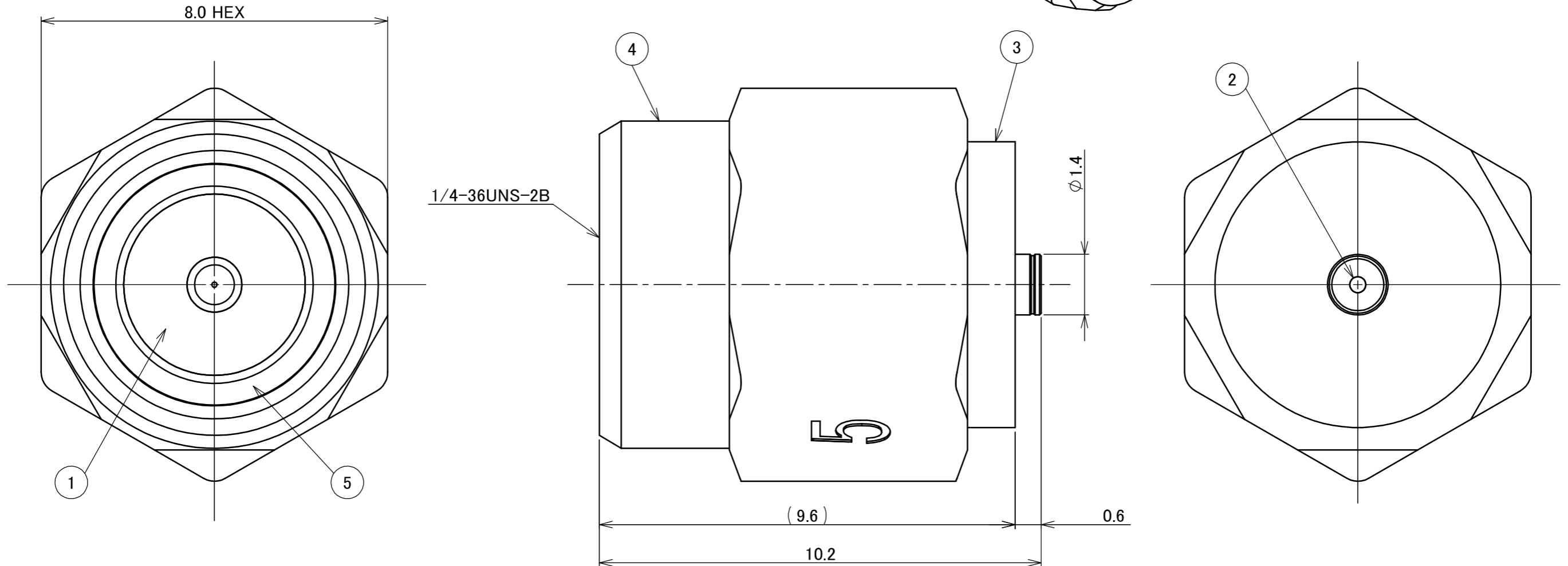
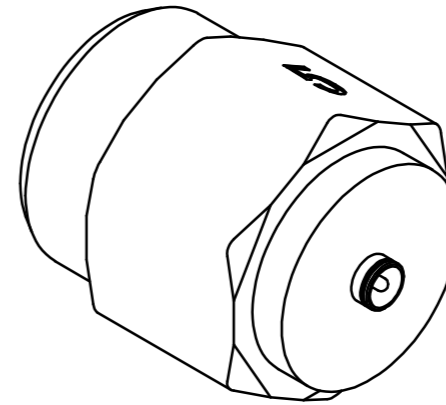
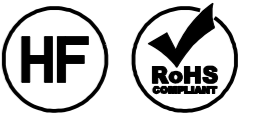


PART NO.

90543-0001



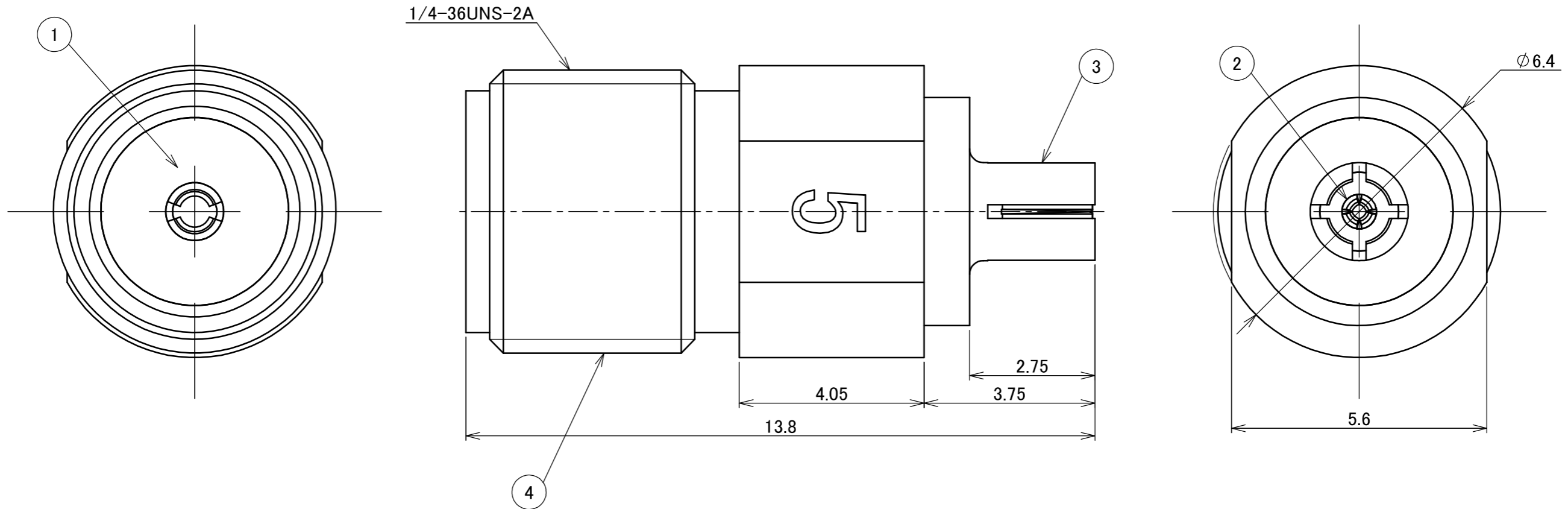
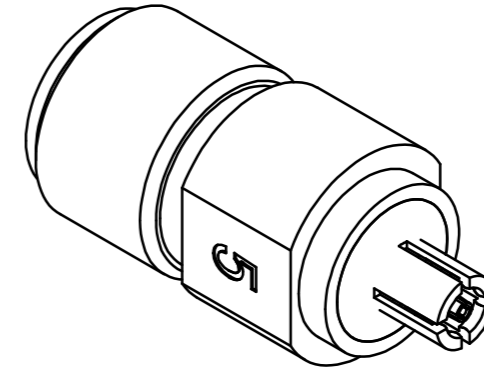
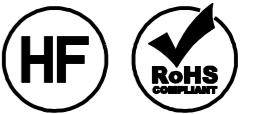
NO.	DESCRIPTION	MATERIAL	FINISH, REMARKS
5	GASKET	RUBBER	
4	NUT	STAINLESS STEEL	PASSIVATION
3	SHELL	STAINLESS STEEL	Au 0.3 μ m MIN. OVER Ni 1.0 μ m MIN.
2	CONTACT	BRASS	Au 1.0 μ m MIN. OVER Ni 1.0 μ m MIN.
1	INSULATOR	FLUORINE PLASTICS	

NO.	DESCRIPTION	MATERIAL	FINISH, REMARKS					
3	Z200903	Yufu	2020/09/03	M.T	GENERAL TOLERANCE.	PROJECTION	SERIES No.	CUSTOMER COPY
2	Z190666	K.I	2019/05/20	Y.H	DWG. DATE	\oplus \triangleleft	R1	
1	Z151137	S.H	2015/10/15	Tom	Y.Hashimoto 2013/06/04			
0	Z13507	Y.H	2013/06/04		CHK. K.Yotsutani			
REV.	ECN	BY	DATE	APP.	APP. T.Takano			

REV.	ECN	BY	DATE	APP.	APP.	DWG. No.	SCALE	UNIT	SIZE	SHEET	REV.
					T.Takano	90543	5:1	mm	A3	1/3	3

PART NO.

90543-0002



4	SHELL	STAINLESS STEEL	PASSIVIATION
3	GROUND CONTACT	BERYLLIUM COPPER	Au 0.3 μm MIN. OVER Ni 1.0 μm MIN.
2	CONTACT	BERYLLIUM COPPER	Au 1.0 μm MIN. OVER Ni 1.0 μm MIN.
1	INSULATOR	FLUORINE PLASTICS	
NO.	DESCRIPTION	MATERIAL	FINISH , REMARKS
		ANGLE ±2° 6 OVER 30 MAX. ±0.3 6 MAX. ±0.2 30 OVER 120 MAX. ±0.5	PROJECTION SERIES No. R1
		GENERAL TOLERANCE.	TITLE MHF® 5
		DWG. DATE	SCALE 5:1
		CHK.	UNIT mm
		APP.	TITLE SMA ADAPTER
REV.	ECN	BY	DATE
			APP.
REVISION RECORD			
		DWG. No. 90543	SCALE SHEET REV. A3 2/3 3

ITEMS	SPECIFICATION	
PART No.	90543-0001	90543-0002
RECOMMENDED APPLICABLE CONNECTOR PART No.	20567-***R-81 20615-001-48 20668-001R-13 20711-001R-81 20714-001R-81	20566-001E-**
RATING FREQUENCY	DC~6 GHz	
VSWR	1.3 MAX. AT DC~3GHz, 1.5 MAX. AT 3~6GHz	
INSULATION RESISTANCE	500 Mohm MIN.	
DIELECTRIC WITHSTANDING VOLTAGE	AC200V 1min	
DURABILITY	3,000 CYCLES	500 CYCLES
PRODUCT SPECIFICATION	PRS-2458	
TEST REPORT	TBD	
PACKING STANDARD	PST-12033	
INSTRUCTION MANUAL	HIM-18015	
APPEARANCE CRITERIA No.	QLS-A***	

ANGLE	±2°	6 OVER 30 MAX.	±0.3	PROJECTION 	SERIES No. R1	CUSTOMER COPY	
6 MAX.	±0.2	30 OVER 120 MAX.	±0.5				
GENERAL TOLERANCE.				TITLE MHF® 5 SMA ADAPTER	SCALE 5:1 UNIT mm	I-PEX	
DWG.	DATE						
CHK.							
APP.							
DWG. No. 90543				SIZE A3	SHEET 3/3	REV. 3	