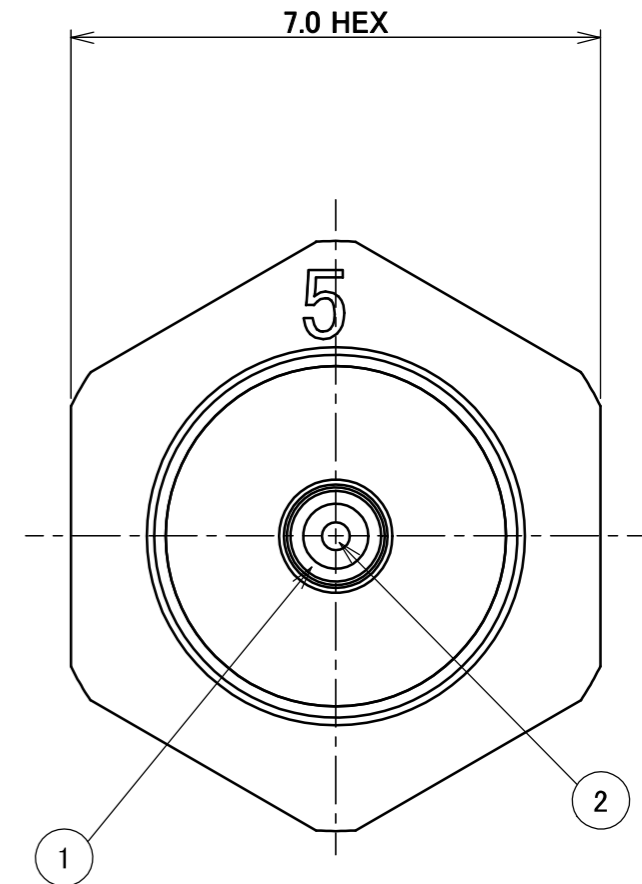
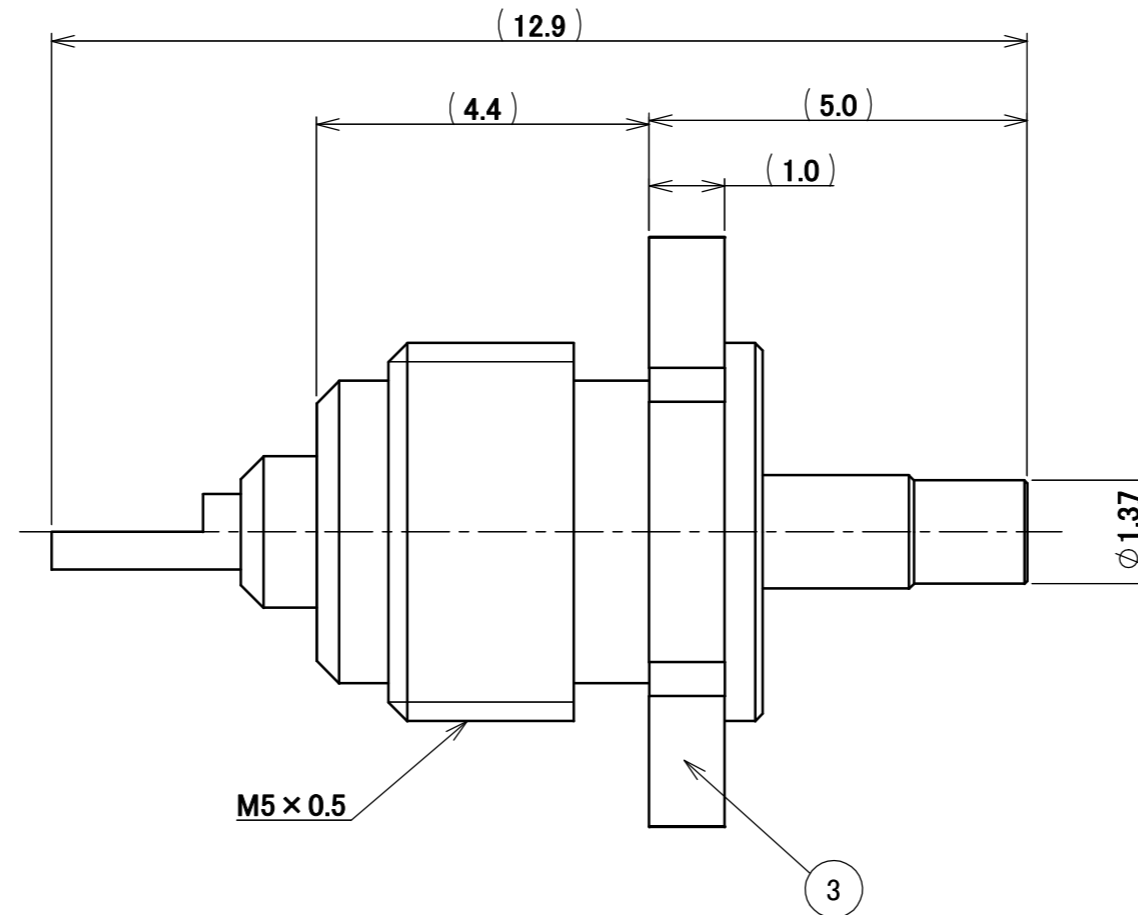
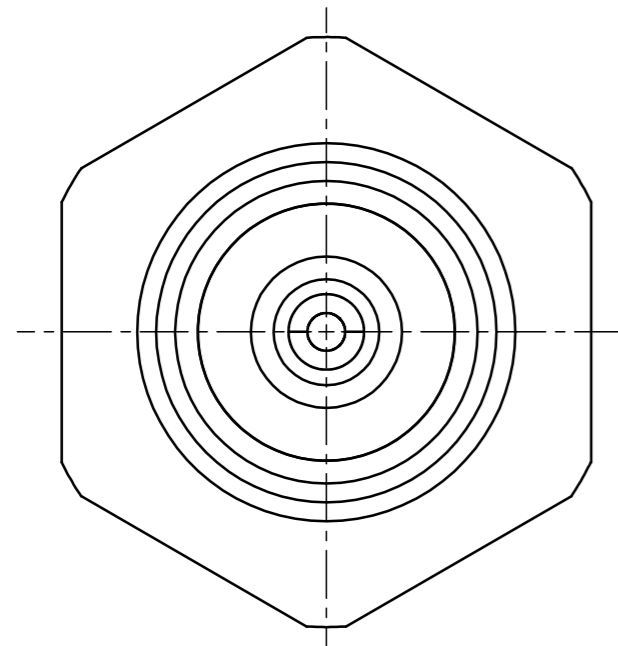
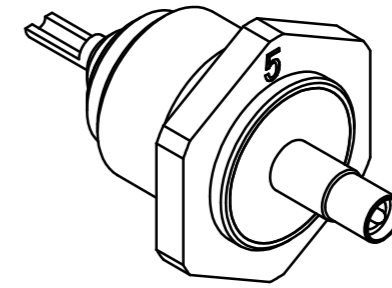
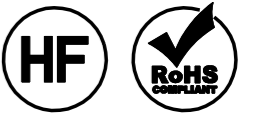


PART NO.

90586-0002



NOTES.

1. APPLICABLE CONNECTOR PART No.

- 20567-\*0\*R-81\*
- 20615-00\*R-48
- 20668-001R-13
- 20669-001R-81
- 20707-001R-\*\*
- 20711-001R-81
- 20714-001R-81
- 20839-001R-81

2. THIS CONNECTOR IS FOR SHORT CIRCUIT INSPECTION AND DIELECTRIC WITHSTANDING VOLTAGE INSPECTION.

NO.	DESCRIPTION	MATERIAL	FINISH , REMARKS
3	SHELL	STAINLESS STEEL	Au 0.3 $\mu$ m MIN. OVER Ni 1.0 $\mu$ m MIN.
2	CONTACT	BRASS	Au 1.0 $\mu$ m MIN. OVER Ni 1.0 $\mu$ m MIN.
1	INSULATOR	FLUORINE PLASTICS	

ANGLE	$\pm 2^\circ$	6 OVER 30 MAX.	$\pm 0.3$	PROJECTION 	SERIES No. R2	CUSTOMER COPY
	6 MAX.	$\pm 0.2$	30 OVER 120 MAX.			
GENERAL TOLERANCE.				TITLE		SCALE
DWG.	M.Nomoto	DATE	2015/12/10	MHF® 5 PLUG		10:1
CHK.	Y.Hashimoto	DATE	2015/12/10	INSPECTION CONNECTOR		UNIT
REV.	ECN	BY	DATE	APP.	K.Yotsutani	2015/12/10
REVISION RECORD				DWG. No.	90586	SIZE
						A3
						SHEET 1/1
						REV. 1