

PART No.

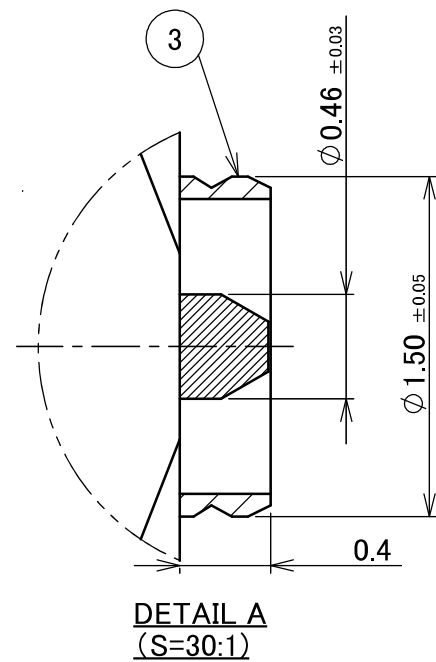
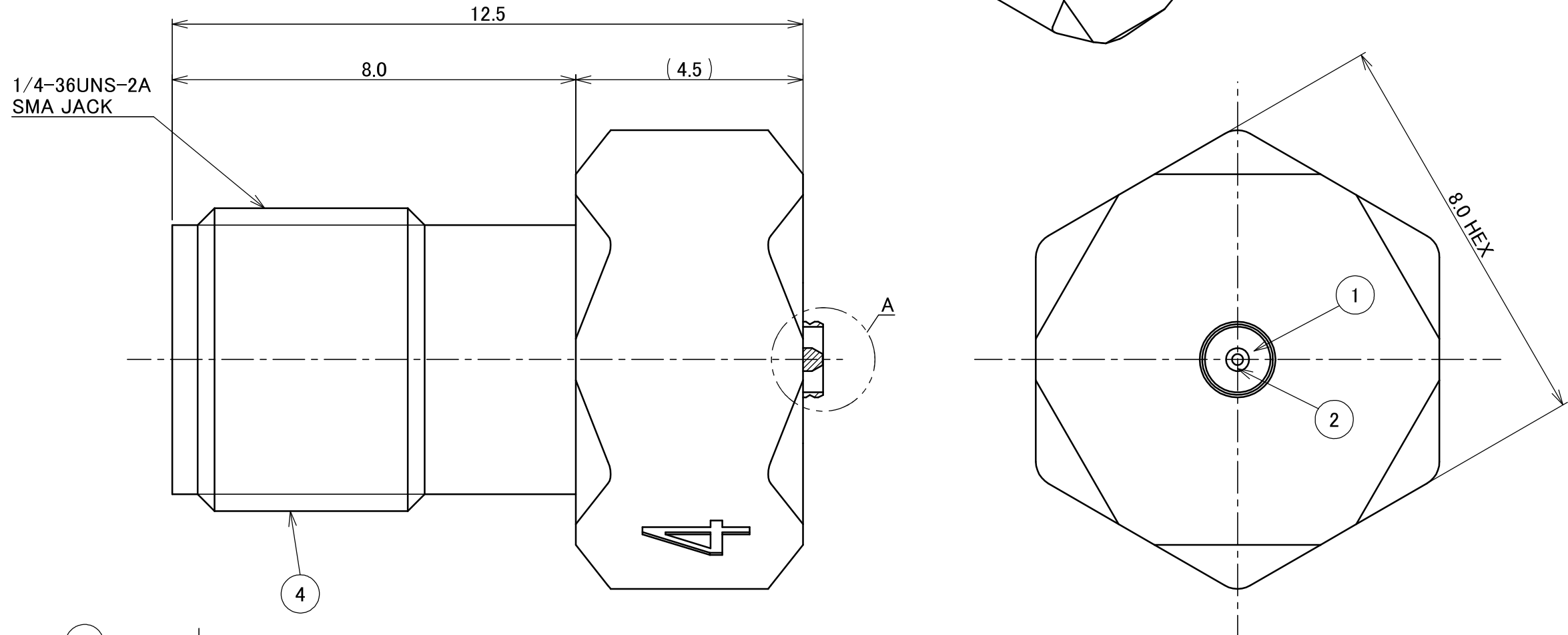
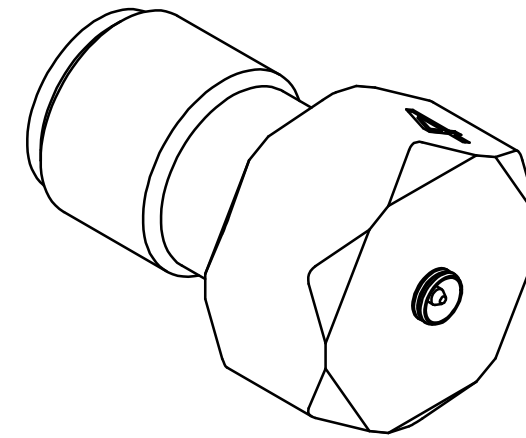
90449-001



Halogen Free



RoHS Compliant



4	SHELL-B	STAINLESS STEEL	PASSIVATION									
3	SHELL-A	STAINLESS STEEL	Au 0.3 μm MIN. OVER Ni 1.0 μm MIN.									
2	CONTACT	BERYLLIUM COPPER	Au 1.0 μm MIN. OVER Ni 1.0 μm MIN.									
1	INSULATOR	PTFE										
NO.	DESCRIPTION	MATERIAL	FINISH , REMARKS									
11	Z220687	Y.I	2022/06/17	Y.H	ANGLE	±2°	6 OVER 30 MAX.	±0.3	PROJECTION ⊕	SERIES No. R1	CUSTOMER COPY	
10	Z190666	K.I	2019/05/20	Y.H	6 MAX.	±0.2	30 OVER 120 MAX.	±0.5				
9	Z190237	K.M	2019/02/21	Y.H	GENERAL TOLERANCE.			TITLE MHF® 4(4L) SMA ADAPTER	SCALE 10:1	UNIT mm	I-PEX	
8	Z171198	Y.I	2017/10/17	Ken	DWG.	DATE						
7	Z141353	S.H	2014/11/26	Tom	K.Oobayashi		2007/10/24					
6	Z13079	A.F	2014/01/29	Tom	CHK.							
REV.	ECN	BY	DATE	APP.	APP.	E.Kawabe		DWG. No.	90449	SIZE	SHEET	REV.
REVISION RECORD					E.Kawabe		90449		A3	1/4	11	

PART No.

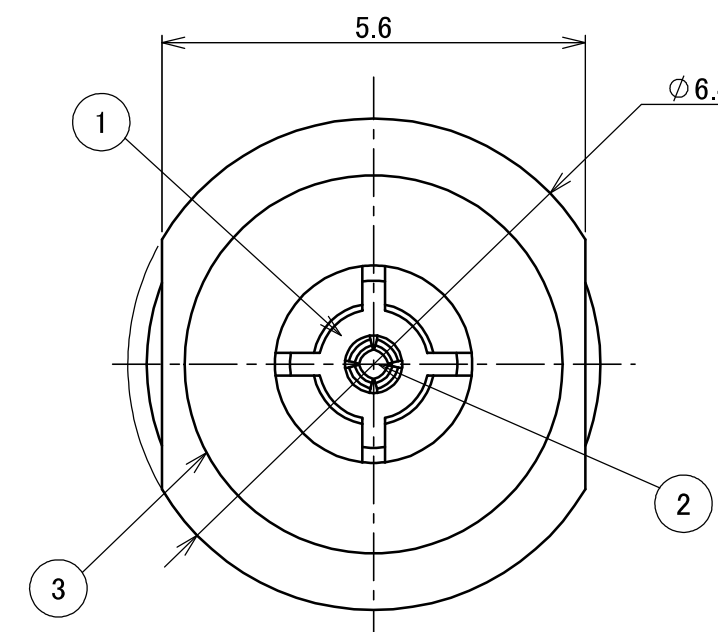
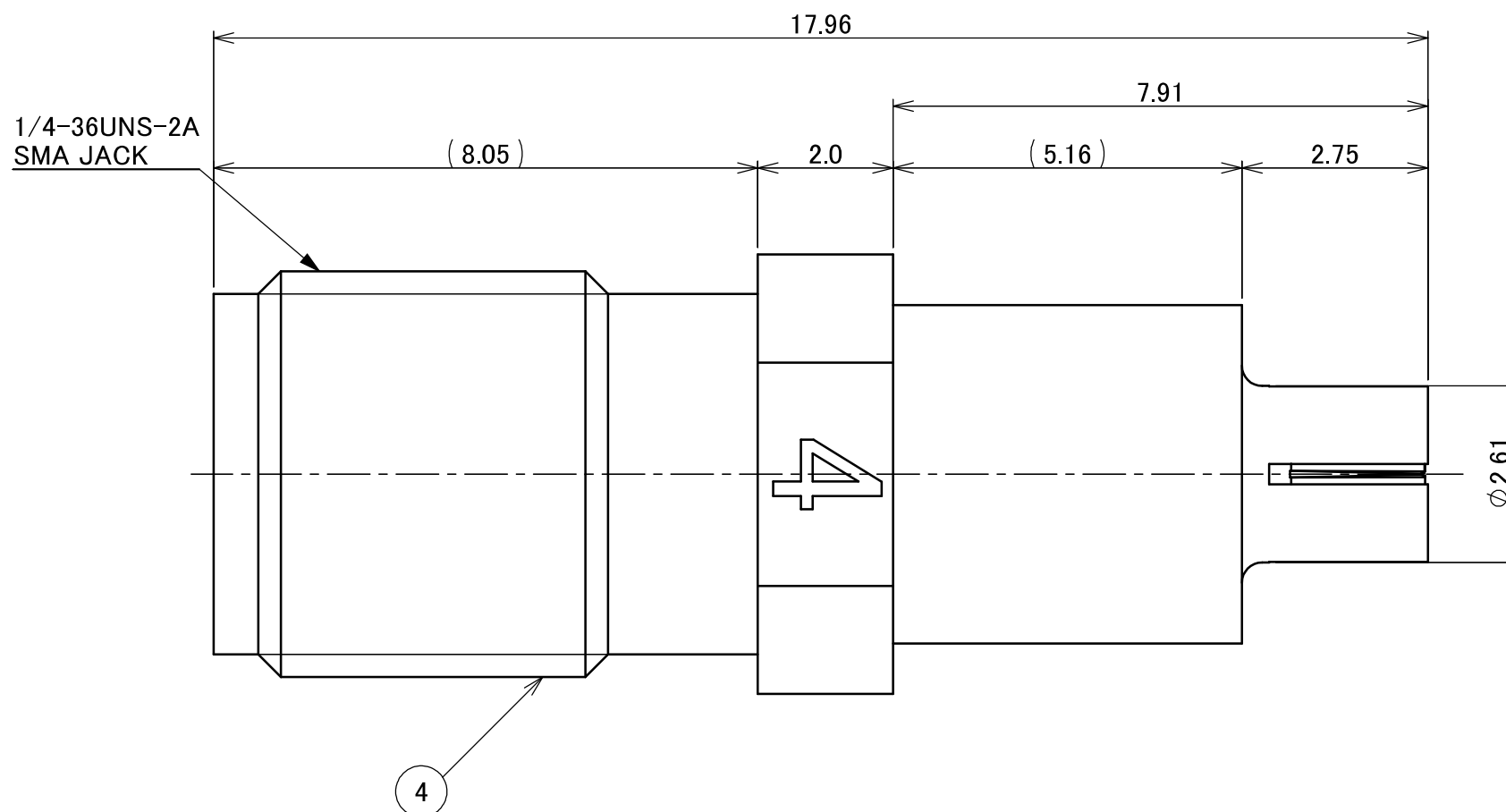
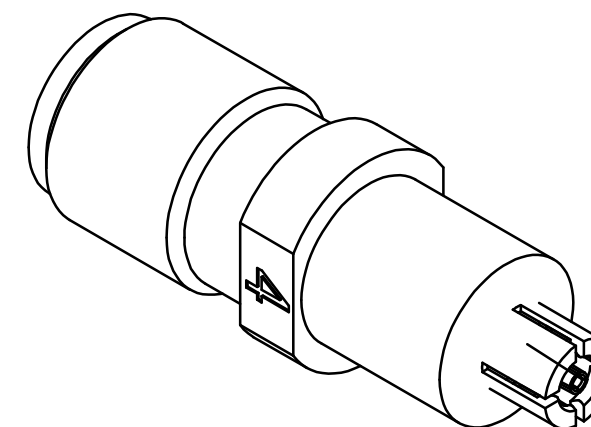
90449-002



Halogen Free



RoHS Compliant



4	SHELL	STAINLESS STEEL	PASSIVATION						
3	CONDUCTOR	BERYLLIUM COPPER	Au 0.3 μm MIN. OVER Ni 1.0 μm MIN.						
2	CONTACT	BERYLLIUM COPPER	Au 0.3 μm MIN. OVER Ni 1.0 μm MIN.						
1	INSULATOR	PTFE							
NO.	DESCRIPTION	MATERIAL	FINISH , REMARKS						
		ANGLE ±2° 6 OVER 30 MAX. ±0.3 6 MAX. ±0.2 30 OVER 120 MAX. ±0.5	PROJECTION SERIES No. R1 CUSTOMER COPY						
		GENERAL TOLERANCE.	TITLE MHF® 4(4L) SMA ADAPTER SCALE 10:1 UNIT mm						
		DWG. DATE	I-PEX						
		CHK.							
REV.	ECN	BY	DATE	APP.	APP.	DWG. No. 90449	SIZE A3	SHEET 2/4	REV. 11
REVISION RECORD									

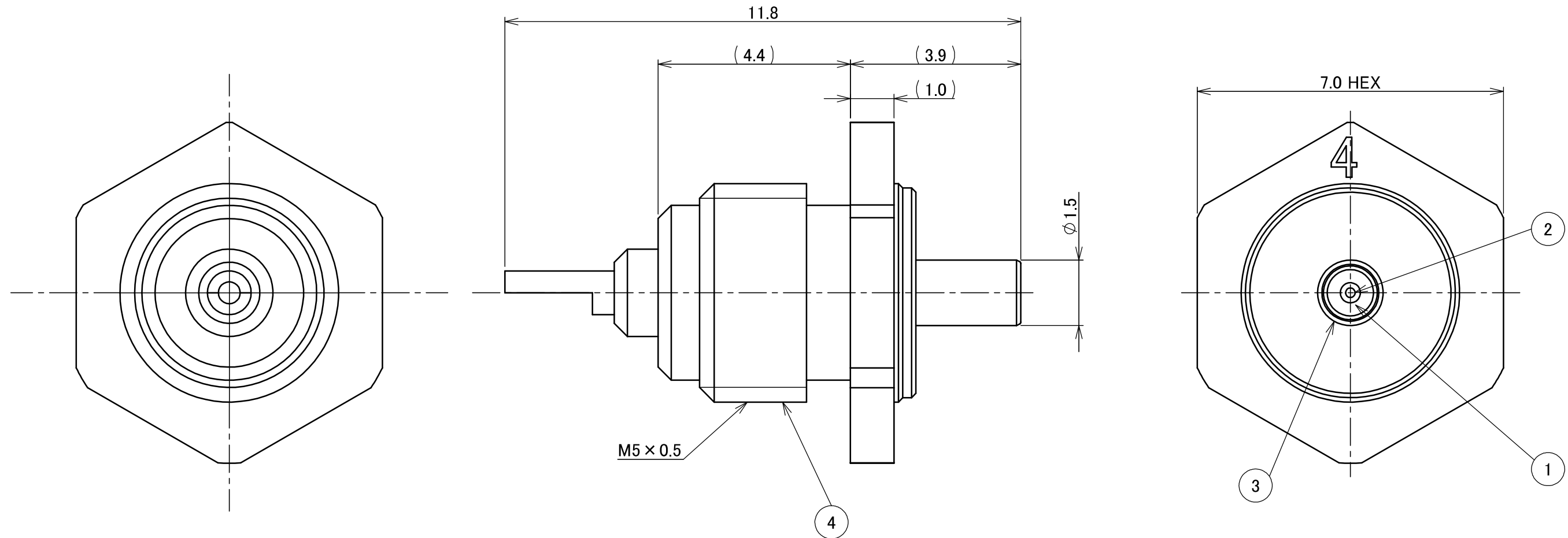
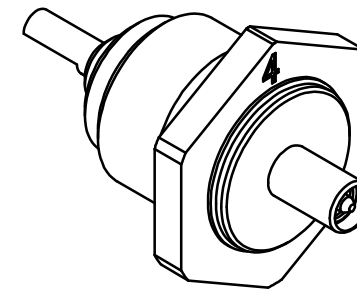
PART No.
90449-003-01



Halogen Free



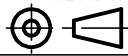
RoHS Compliant



4	SHELL	STAINLESS STEEL	Au 0.3 μ m MIN. OVER Ni 1.0 μ m MIN.
3	CONDUCTOR	STAINLESS STEEL	Au 0.3 μ m MIN. OVER Ni 1.0 μ m MIN.
2	CONTACT	BRASS	Au 0.3 μ m MIN. OVER Ni 1.0 μ m MIN.
1	INSULATOR	PTFE	
NO.	DESCRIPTION	MATERIAL	FINISH , REMARKS

					ANGLE	±2°	6 OVER 30 MAX.	±0.3	PROJECTION ⊕	SERIES No. R1	CUSTOMER COPY		
						6 MAX.	±0.2	30 OVER 120 MAX.				±0.5	
					GENERAL TOLERANCE.				TITLE MHF® 4(4L) SMA ADAPTER	SCALE	I-PEX		
					DWG.	DATE				10:1			
					CHK.					UNIT			
REV.	ECN	BY	DATE	APP.	APP.	DWG. No.			90449	SIZE	SHEET	REV.	
REVISION RECORD											A3	3/4	11

ITEMS	SPECIFICATION		
	90449-001	90449-002	90449-003-01
PRODUCT NAME			
APPLICABLE CONNECTOR PART No.	MHF 4 PLUG P/N: 20448-001R-** MHF 4L PLUG P/N: 20565-001R-** 20572-001R-08 20632-001R-37	MHF 4 RECEPTACLE P/N: 20449-001E MHF 4L RECEPTACLE P/N: 20579-001E-01	MHF 4 PLUG P/N: 20448-001R-** MHF 4L PLUG P/N: 20565-001R-** 20572-001R-08 20632-001R-37
RATING VOLTAGE	60 V AC (R.M.S)		
RATING FREQUENCY	DC~12GHz		-
OPERATING TEMPERATURE	233~358 K (-40°C~+85°C)		
VSWR (FOR 90449-001 AND 90449-002 PAIR)	1.30 MAX. AT 0.1~3GHz, 1.50 MAX. AT 3~6GHz, 1.60 MAX. AT 6~12GHz		-
INSULATION RESISTANCE	500 Mohm MIN.		
DIELECTRIC WITHSTANDING VOLTAGE	AC100V 1min		
DURABILITY	3,000 CYCLES	500 CYCLES	3,000 CYCLES
PRODUCT SPECIFICATION	PRS-2317		-
TEST REPORT	TR-16127		-
PACKING STANDARD	PST-12033		
INSTRUCTION MANUAL	HIM-22011		
APPEARANCE CRITERIA No.	QLS-A***		

ANGLE	±2°	6 OVER 30 MAX.	±0.3	PROJECTION 	SERIES No. R1	CUSTOMER COPY		
6 MAX.	±0.2	30 OVER 120 MAX.	±0.5					
GENERAL TOLERANCE.				TITLE MHF® 4(4L) SMA ADAPTER	SCALE -	I-PEX		
DWG.	DATE							
CHK.								
APP.								
				DWG. No.	90449	SIZE A3	SHEET 4/4	REV. 11